

FEATURES AND SPECIFICATIONS

Features and Benefits

- Solders directly to PCB
- In-line IDT termination
- Integral crimped strain relief
- Low profile, eliminates headers
- Connectors supplied on terminal carrier strip for application tooling

Reference Information

Packaging: Strip
 UL File No.: E29179
 CSA File No.: LR19980
 Designed In: Millimeters

Electrical

Voltage: 250V
 Current: 3.0A
 Contact Resistance: 20mΩ max.
 Dielectric Withstanding Voltage: 1000V AC
 Insulation Resistance: 1000 MΩ min.

Mechanical

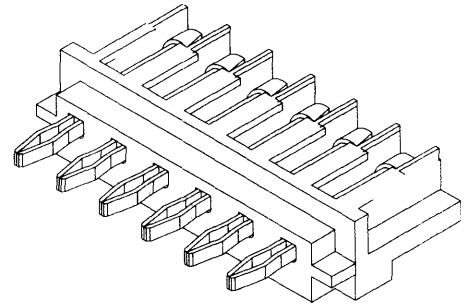
Wire Pull-Out Force: See SMES 42219-0002
 Insertion Force to PCB: 1kg max.

Physical

Housing: Polyester, UL 94V-0
 Contact: Phosphor Bronze
 Plating: Tin/Lead
 Operating Temperature: 0 to +75°C
 Wire Accommodation: 24 AWG solid or stranded with topcoat or 26 AWG stranded with topcoat

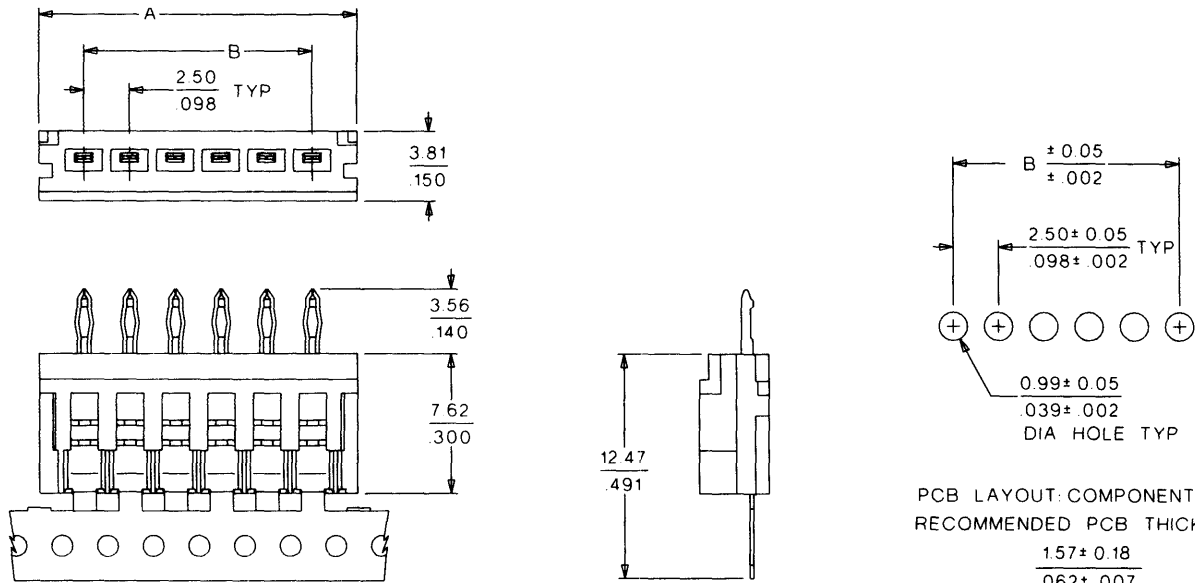
molex® 2.50mm (.098") Pitch SPOX™ Wire-to-Board Connector

42254 IDT Board-In



B
 2.00 to 2.50mm (.079 to .098") Pitch

CATALOG DRAWING (FOR REFERENCE ONLY)



PCB LAYOUT: COMPONENT SIDE
 RECOMMENDED PCB THICKNESS

1.57 ± 0.18
 .062 ± .007

ORDERING INFORMATION AND DIMENSIONS

Circuits	Order No.	Dimension	
		A	B
2	• 22-43-2020	7.40 (.291)	2.50 (.098)
3	• 22-43-2030	9.90 (.390)	5.00 (.197)
4	• 22-43-2040	12.40 (.488)	7.50 (.295)
5	• 22-43-2050	14.90 (.587)	10.00 (.394)
6	• 22-43-2060	17.40 (.685)	12.50 (.492)
7	• 22-43-2070	19.90 (.783)	15.00 (.591)
8	• 22-43-2080	22.40 (.882)	17.50 (.689)
9	• 22-43-2090	24.90 (.980)	20.00 (.787)
10	• 22-43-2100	27.40 (1.079)	22.50 (.886)
11	• 22-43-2110	29.90 (1.177)	25.00 (.984)
12	• 22-43-2120	32.40 (1.276)	27.50 (1.082)
13	• 22-43-2130	34.90 (1.374)	30.00 (1.181)
14	• 22-43-2140	37.40 (1.472)	32.50 (1.279)
15	• 22-43-2150	39.90 (1.571)	35.00 (1.378)

• US Standard Product, available through Molex franchised distributors