

CURRENT TRANSFORMER

Model 117MR

Window Diameter 4.62"

REGULATORY AGENCY APPROVALS



Manufactured to meet the requirements of ANSI/IEEE C57.13.
Classified by U.L. in accordance with IEC 44-1

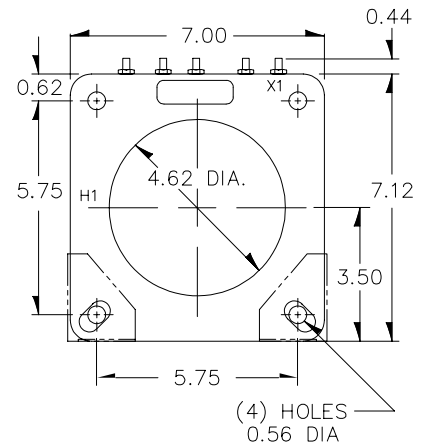
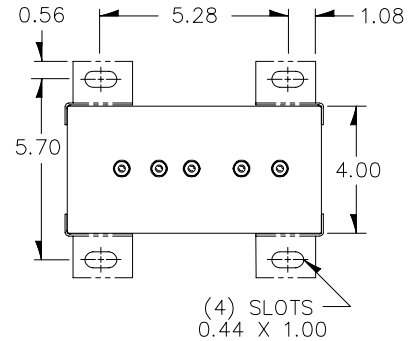
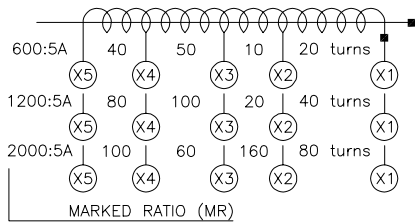
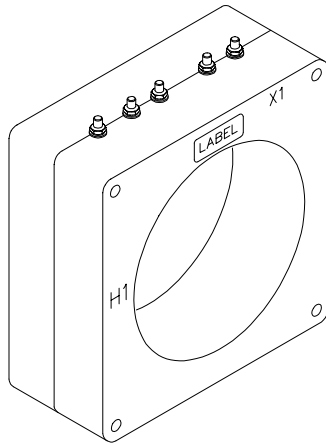
APPLICATION:
Relaying.

FREQUENCY:
50-400Hz

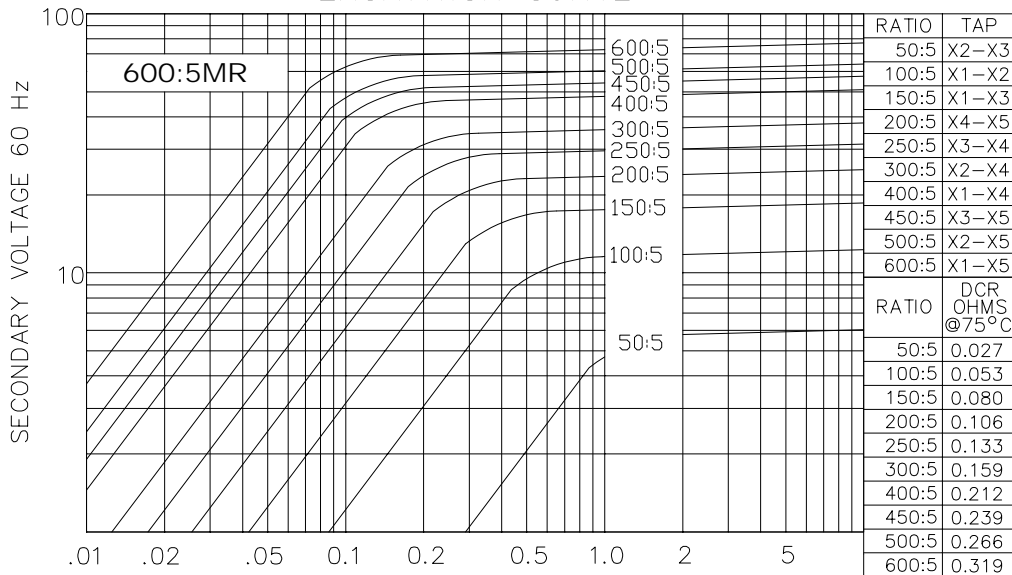
INSULATION LEVEL:
0.6 kV, BIL 10 kV full wave.

CONTINUOUS THERMAL CURRENT RATING FACTOR:
See TRF at curve.

- Terminals are brass studs No.10-32 with one flatwasher and lockwasher.
- The transformer winding is arranged so that the turns are fully distributed between all taps.
- Order Mounting Bracket Kit No. 0221B01525 separately.
- Approximate weight 13 lbs.

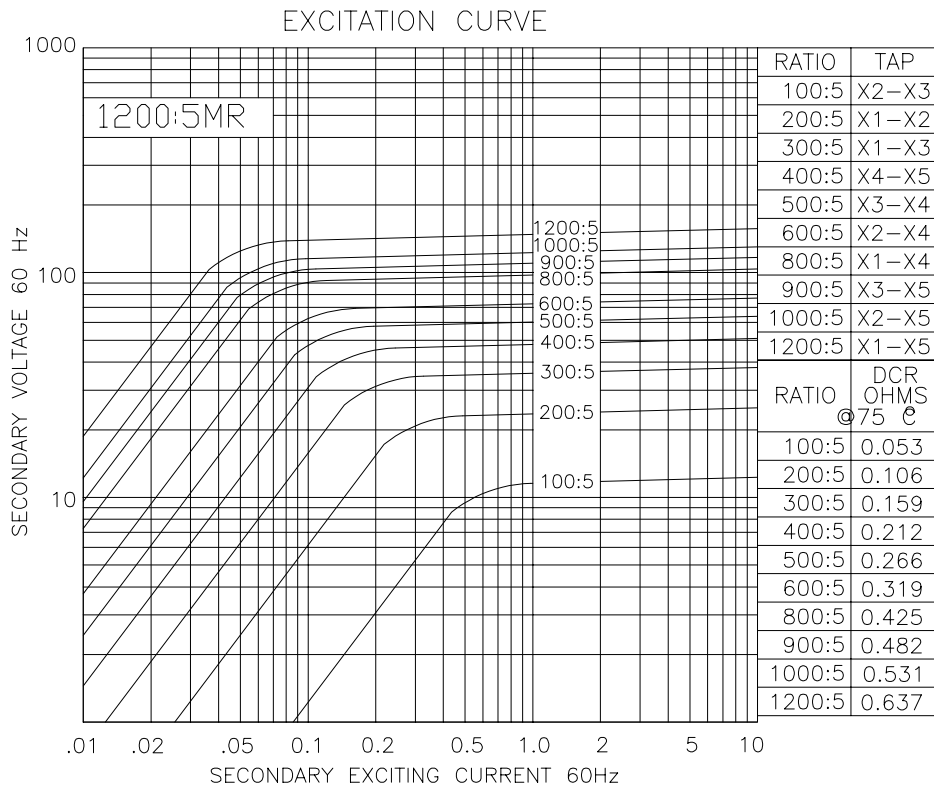


EXCITATION CURVE



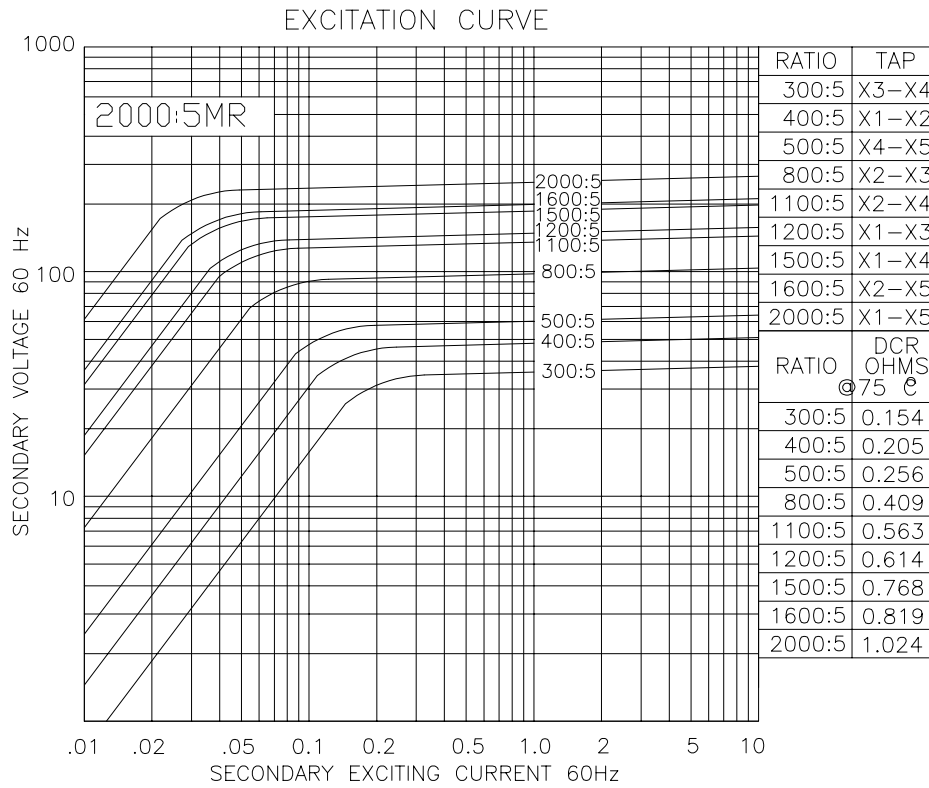
Model 117-601MR - rating C20

TRF = 2.0 @ 30°C, 1.5 @ 55°C amb.



Model 117-122MR - rating C100

TRF= 1.33 @ 30°C, 1.0 @ 55°C amb.



Model 117-202MR - rating C50

TRF= 1.00 @ 30°C, 0.6 @ 55°C amb.