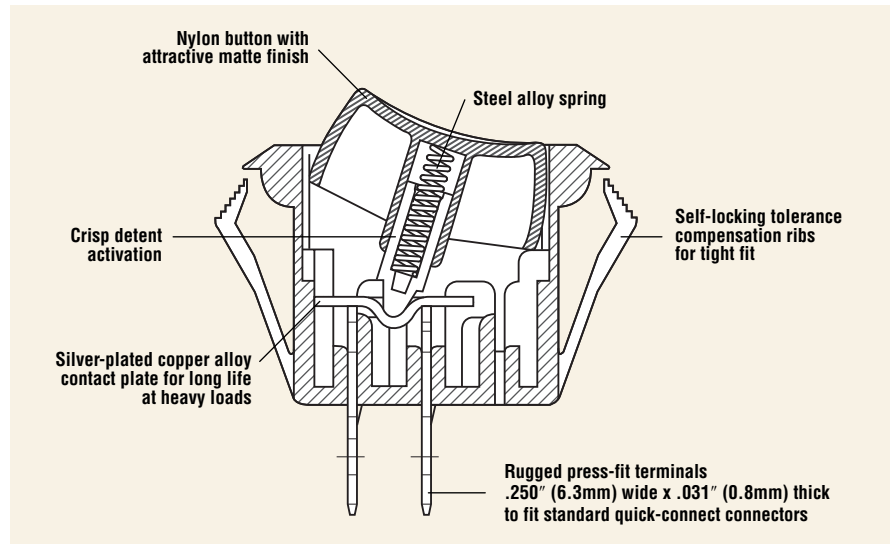


COMPACT ROCKER SWITCH

GR Series

Features

- Economical 15 amp switching
- Lighted and non-lighted versions
- Available in a wide variety of colors
- Single- and double-throw options
- Optional wire leads available
- Mechanical life: min. 50,000 operations



Electrical Ratings

Switch Series	EN61058 Rating	UL1054 Rating	Electrical Life at Rated Load	
			According to VDE (Min. Operations)	According to UL (Min. Operations)
GR	N/A	15A, 125VAC; 10A, 250VAC	N/A	6,000

Specifications

Electrical

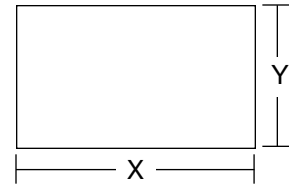
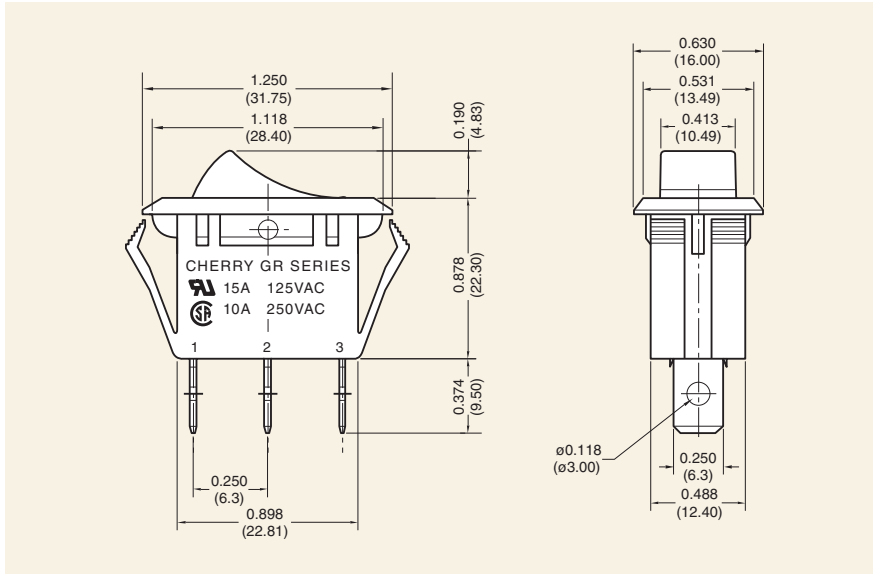
Dielectric Strength:	1000VAC for 1 minute
Insulation Resistance:	10 ⁸ ohms min at 500VDC
Initial Contact Resistance:	.020 ohms max
Temperature Range:	-20°C to +85°C

Materials

Actuator (non-lighted):	Nylon 66 94V-2
Actuator (lighted):	Polycarbonate
Housing:	Nylon 66 94V-2
Base:	Nylon 66 94V-2
Spring:	Steel Wire
Contact Plate:	Copper Alloy
Terminals:	Tin-Plated Copper Alloy



Dimensions inches (mm)



Z = Panel Thickness

Recommended Panel Cut-Out Dimensions

Dim. Z	Dim. X	Dim. Y
0.030 to 0.049 (0.76 to 1.25)	1.120 (28.45)	0.535 (13.59)
0.049 to 0.079 (1.25 to 2.01)	1.130 (28.70)	0.535 (13.59)
0.079 to 0.118 (2.01 to 3.00)	1.150 (29.21)	0.535 (13.59)

Examples of Common Part Numbers and Descriptions inches (mm)

Part Number	Circuitry	Switch Function	Terminal Type	Actuator/ Housing Color	Legend Marking
GRF22N2BBBNN		On - Off	0.250 (6.3) Quick-Connect	Black/ Black	
GRF22N2FBBNN		On - Off	0.250 (6.3) Quick-Connect	Black/ Black	
GRF23N2BBBNN		On - On	0.250 (6.3) Quick-Connect	Black/ Black	
GRF22N2BBRLN		On - Off/Lighted	0.250 (6.3) Quick-Connect	Red/ Black	

Ordering Information

GR	F	2	2	N	2	F	B	B	N	N
Series	Code F	Circuitry 2 Single-Pole	Code 2	Switch Function On - Off	Code 2	Actuator Type Curve	Code B	Housing Color Black	Code N	Lighted Non-Lighted
	Contact Rating 15A, 125VAC (UL, CSA) 10A, 250VAC (UL, CSA)		Code 3	Switch Function On - On	Code B	Actuator Marking Blank	Code W	Housing Color White	Code L	Lighted Lighted (Bulb 125VAC)
					Code C	Actuator Marking OFF ON	Code Y	Housing Color Grey	Code E	Lighted Lighted (Bulb 250VAC)
					Code D	Actuator Marking OFF ON	Code C	Housing Color Brown	Code G	Lighted Lighted 6VDC Incandescent
					Code E	Actuator Marking OFF ON	Code A	Actuator Color Black	Code H	Lighted Lighted 12VDC Incandescent
					Code F	Actuator Marking OFF ON	Code R	Actuator Color Green	Code N	Body Type No Splashproof Rocker Boot
					Code K	Actuator Marking OFF ON	Code Y	Actuator Color Amber		
							Code C	Actuator Color Red		
							Code M	Actuator Color Yellow		
							Code W	Actuator Color White		