

Power Cord with IEC Connector C7, Straight 70°C

new



C7



70°C

**Description**

Power Supply Cord / Interconnection Cord, Protection class II, Pin temperature 70 °C, Cable

Approvals

- VDE License Number: 40005800
- CSA License Number: 1020530

References

[General Product Information](#)

Weblinks

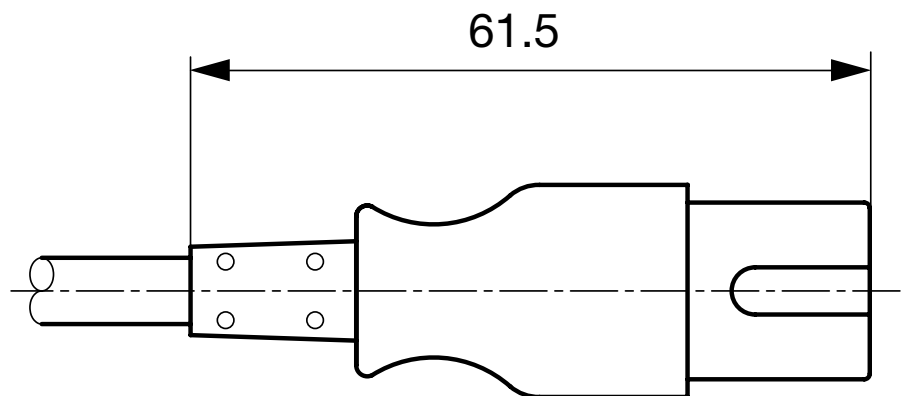
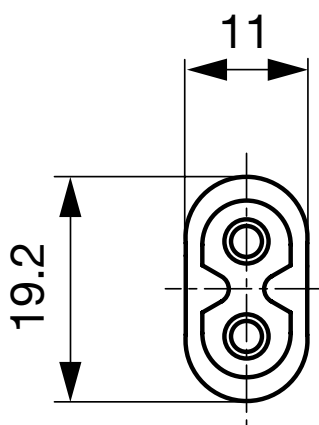
[Approvals](#), [RoHS](#), [CHINA-RoHS](#), [Mating Connectors](#), [e-Store](#), [Distributor-Stock-Check](#), [Accessories](#)

Technical Data

Ratings IEC	2.5 A / 250 VAC; 50 Hz	Connector	C7 acc. to IEC/EN 60320-2-2
Ratings UL/CSA	2.5 A / 250 VAC; 60 Hz		UL 498, CSA C22.2 no. 42 (for cold conditions) pin-temperature 70 °C, 2.5 A, Protection Class 2
Dielectric Strength	> 3 kVDC between L-N > 1.5 kVAC between L/N-PE (1 min/50 Hz)		
Allowable Operation Temp.	-25 °C to 70 °C		
Degree of Protection	from front side IP 20 acc. to IEC 60529		
Protection Class	Suitable for appliances with protection class 2 acc. to IEC 61140		
Terminal	moulded		
Material: Housing	PVC, black or grey		

Dimensions

19.2 mm



Config. Code

Product Configurator

Type - R - 2510 - D - Length

The characters are placeholders for the correspondingly keys of selections from the key tables.
Typ is placed for the connector type on the second end, length is the cord length in mm.

Type - R - 2510 - D - Length = Cord end 2

Cord end 2

zzzz, 2225, 2228, 2711, 2712, 2730, 2731, 4121, 607B, 608B, 609B

Type - R - 2510 - D - Length = cord type

cord type

Configuration key

H03VV-F 2x0,75mm ²	A
H03VH2-F 2x0,75mm ²	B
H05VV-F 2x0,75mm ²	D
H05VH2-F 2x0,75mm ²	E
SVT 2x18AWG	M
special cord	Z

Cord definition is detailed in general product information XXX

Type - R - 2510 - D - Length = Color

Color

Configuration key

jet black; RAL9005	A
silver grey; RAL7001	B
standard color: black	

Type - R - 2510 - D - Length = Cord length

Cord length

zzzz, 000500, 001000, 001500, 002000, 002500, 003000, 005000

Cord length in mm

Mating Inlets/Plugs

Category / Description

Appliance Inlet Overview complete



IEC Appliance Inlet C8, Screw-on Mounting, Rear Side, PCB-/Solder Terminal	0720-FP
IEC Appliance Inlet C8, Screw-on Mounting, Rear Side, Solder Terminal	0720-FS
IEC Appliance Inlet C8, Snap-in Mounting, Front Side, Solder Terminal	0721-PP
IEC Appliance Inlet C8, Snap-in Mounting, Front Side, Solder Terminal	0721-PS
IEC Appliance Inlet C8, insert Mounting, Solder, PCB or Quick-connect Terminal	2572

Appliance Inlet further types to 2510

...

Interconnection Cord Overview complete



Interconnection Cord with IEC Plug C, Angled 70°C	2711
Interconnection Cord with IEC Plug C, Angled	2712
Interconnection Cord with IEC Plug C, Straight	2730
Interconnection Cord with IEC Plug C, Straight	2731

Interconnection Cord further types to 2510

Power Entry Module Overview complete



IEC Appliance Inlet C8 with Line Switch 1-pole	CMF1, CMF4
--	------------

Power Entry Module further types to 2510