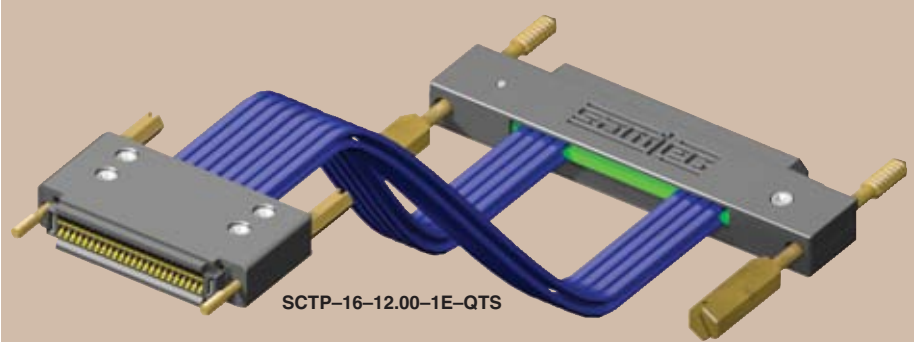




PATENT PENDING



SCTP-16-12.00-1E-QTS

SPIRIT® TEST PROBE CABLES SCTP, SFLTP

SPECIFICATIONS

For complete specifications see www.samtec.com?SCTP

Cable: 30 AWG twinax (Gen 1 & Industry Standard) & Industry Standard
Gen 2: TBD AWG Twinax
Signal Routing: 100Ω Differential (±5Ω)
Operating Range: Gen 1 & Industry Standard DC to 1.25GHz (2.5Gbps)
Gen 2: DC to 2.5GHz (5.0Gbps)
Pinout Mapping: See www.samtec.com?SCTP
RoHS Compliant: Yes



SCTP

SCTP
= Compression Test Probe

NO. OF PAIRS

-08, -16
= Number of Pairs (-1E, -2D & -2E)
-18
= Number of Pairs (-SE)

ASSEMBLY LENGTH

-12.00, -24.00, -36.00
= Assembly Length in inches

DUT END OPTION

-1E
= Spirit® Gen 1
-2E, -2D
= Spirit® Gen 2
-SE, -SD
= Spirit® IS (Industry Standard)

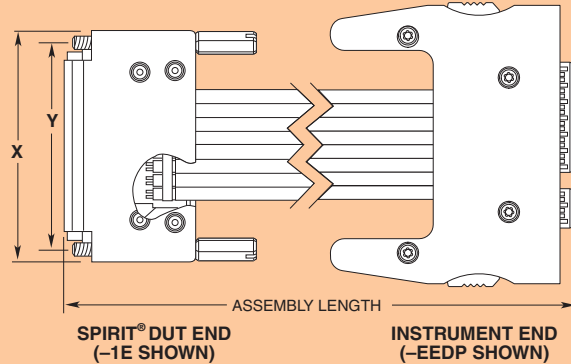
INSTRUMENT END OPTION

-EEDP
= High Speed Edge Card
-QTS
= Q Strip®

NO. OF PAIRS	X	Y
-08	(22,05) .868	(17,98) .708
-16 & -18	(34,04) 1.340	(29,97) 1.180

CONNECTORS & PROBE FASTENERS**				
PROBE TYPE	PAIRS	PROBE FASTENER*	CONNECTOR*	EXTRACTION TOOL
GEN 1	8	SPF-14	LGP-14-G-D	CAT-EX-SCTP-02
	16	SPF-24	LGP-24-G-D	CAT-EX-SCTP-01
GEN 2	8	SPF2-14	LGISR-14-G-D	NA
	16	SPF2-24	LGISR-24-G-D	NA
INDUSTRY STANDARD	18	SPFD-27	LGIS-27-01-E-D	NA

* Add -TR to the part number for Tape & Reel
** Prefix part number with "KIT-" for complete kit with probe cable, replacement connectors, application notes and product fasteners



SPECIFICATIONS

For complete specifications see www.samtec.com?SFLTP

Cable: 30 AWG twinax
Signal Routing: 100Ω Differential (±5Ω)
Operating Range: DC to 1.25GHz (2.5Gbps)
RoHS Compliant: Yes



SFLTP

SFLTP
= Flying Lead Test Probe

NO. OF PAIRS

-08, -16
= Number of Pairs

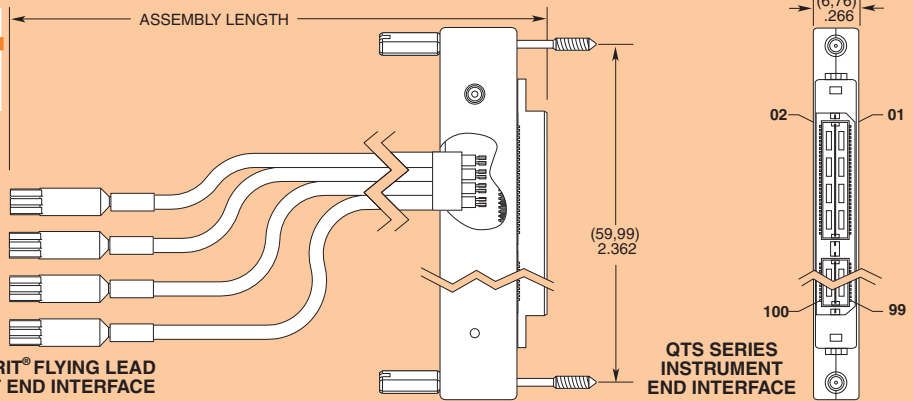
ASSEMBLY LENGTH

-12.00, -24.00, -36.00
= Assembly Length in inches

TARGET BOARD FLEX TIPS

Patent Pending

HDR-135965-01 (Kit of 20)



Due to technical progress, all designs, specifications and components are subject to change without notice.

WWW.SAMTEC.COM



ELIMINATE COSTLY PCB TEST PROBE CONNECTORS

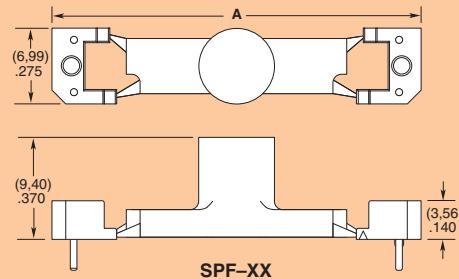
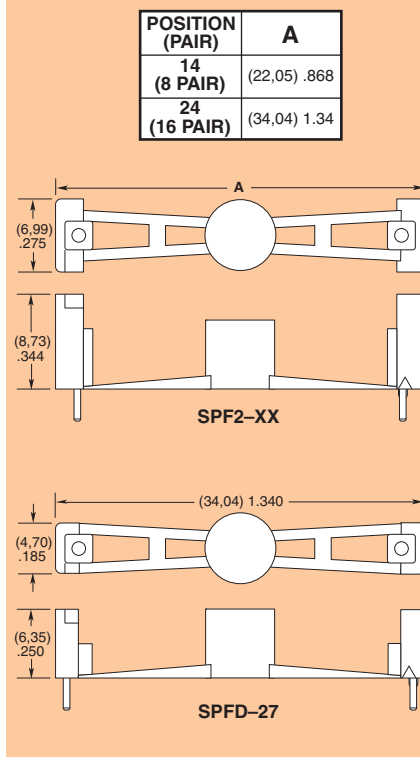
Spirit® Compression Test Probes



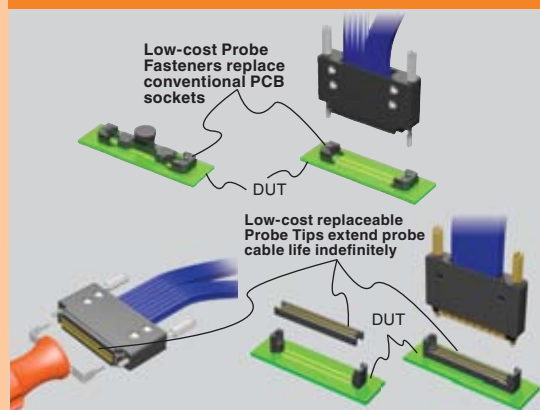
PATENT PENDING

- Logic analysis, protocol analysis, oscilloscopes, trace output and testing applications from 1.25 Gbps to 5.2 Gbps
- Enables high speed testing compatible with Intel specific PCI Express® protocol footprint
- Replaceable probe tip connectors extend probe life indefinitely
- Spring loaded shroud protects compression contact tips (Gen 1)
- Choice of 8 pairs (Gen 1) or 16 pairs (Gen 2) or 18 pairs (Industry Standard)
- Q Strip® or High Speed Edge Card instrument end interface
- Available as components or complete kits with probe, replacement connectors, application notes and probe fasteners. Includes extraction tool for Gen 1 probe. (Add "KIT-" in front of the cable part number.)
- Application specific logic and protocol analysis applications with differential pair counts and pinout maps available; contact dr@samtec.com

Tip resistance value = 300Ω



APPLICATIONS



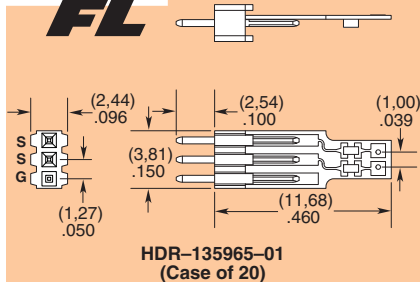
Spirit® FL Flying Lead Test Probe



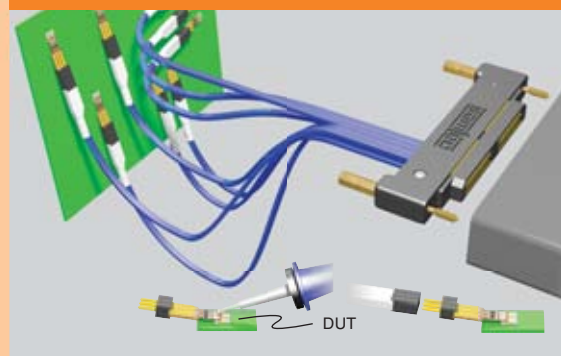
PATENT PENDING

- Picks up differential signals not conveniently grouped or routed to connectors
- Flex tip provides improved SI performance over two piece connector system
- Available as kit with probe, application notes and case of 20 flex tips (Add "KIT-" in front of the cable part number.)

Tip resistance value = 300Ω



APPLICATIONS



Due to technical progress, all designs, specifications and components are subject to change without notice.

WWW.SAMTEC.COM