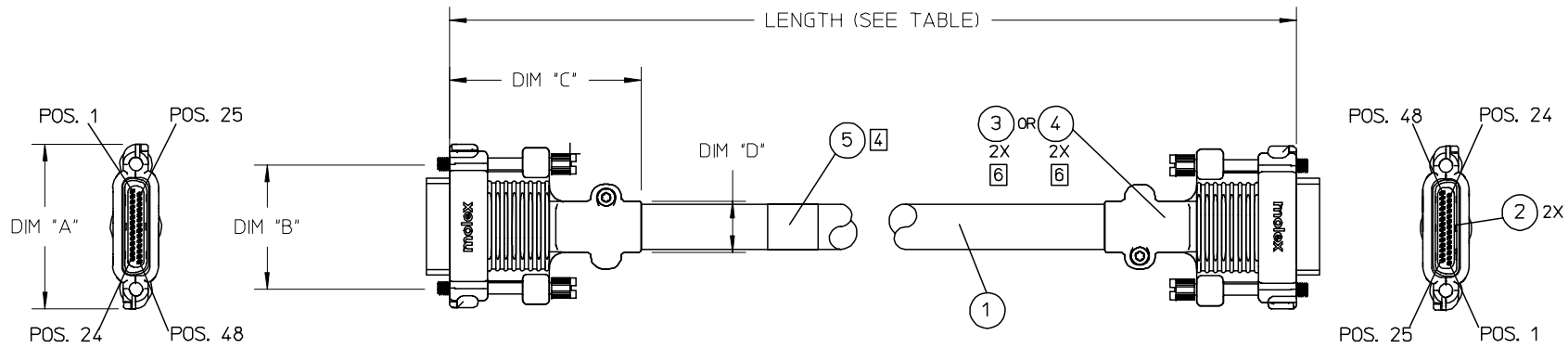
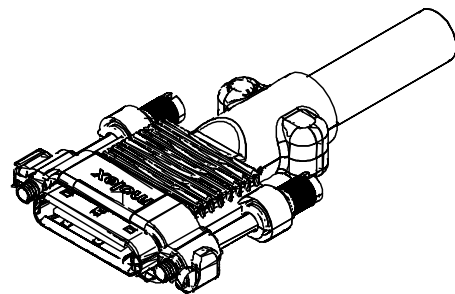


PART NO.	CIRCUIT SIZE	LENGTH	JACK SCREW THREAD TYPE	"A" DIM'	"B" DIM'	"C" DIM'	"D" DIM'
79925-0013	48	1000 +/-50MM	4-40 JACKSCREW P/N (STANDARD) [6]	2.069/52.56	1.700/43.18	2.478/62.93	0.569/14.45
79925-0014		3000 +/-100MM					
79925-0015		1000 +/-50MM	M3 JACKSCREW P/N (SPECIAL) [6]				
79925-0016		3000 +/-100MM					



WIRING CHART

1 S	25 G
2 S	26 NC
3 NC	27 S
4 G	28 S
5 NC	29 NC
6 S	30 G
7 S	31 NC
8 NC	32 S
9 G	33 S
10 NC	34 NC
11 S	35 G
12 S	36 NC
13 NC	37 S
14 G	38 S
15 NC	39 NC
16 S	40 G
17 S	41 NC
18 NC	42 S
19 G	43 S
20 NC	44 NC
21 S	45 G
22 S	46 NC
23 NC	47 S
24 G	48 S

ROHS

- NOTES:
- PLUG MATERIALS:  
SHIELD - DEEP DRAWN STEEL  
HOUSING - GLASS FILLED POLYMER, BLACK, UL 94V-0  
CONTACTS - COPPER ALLOY, OVERMOLDED WITH GLASS FILLED POLYMER, BLACK, UL 94V-0
  - BACKSHELLS MATERIALS:  
BACKSHELL - ZINC ALLOY DIE CAST, FINISH BLACK POLYURETHANE ENAMEL.  
(NICKEL PLATED BACK SHELLS AVAILABLE, CONTACT PRODUCT MANAGER FOR INFORMATION)
  - ELECTRICAL SPECIFICATIONS:  
100 OHMS DIFFERENTIAL IMPEDANCE  
HIGH SPEED DIFFERENTIAL PAIRS  
INDIVIDUAL PAIR AND OVERALL SHIELDS TO MINIMIZE CROSSTALK AND RADIATED EMISSIONS

ITEM	P/N	DESCRIPTION	QTY
5	0799426019	PLASTIC LABEL EPC#R-TW10F	1 PC
4	0751151048	48 CKT TDP PLUG CABLE KIT (M3/BLK)	2 PC
3	0751150048	48 CKT TDP PLUG CABLE KIT (4-40/BLK)	2 PC
2	0750001048	TDP 48 Ckt Plug Asy w/o Carrier Strip	2 PC
1	0798231040	10 PAIR W/BRAID 26AWG TURBOTWIN	A/R

<p>4] APPLY LABEL WITH FOLLOWING INFORMATION: P/N (SEE TABLE) REV (SEE REVISION TABLE) M/D WW/YY ASSEMBLED IN MEXICO</p> <p>5. PIN CONNECTION IS 1 TO 1 ACCORDING TO TABLE. [6] USE ITEM 3 FOR 799250013 &amp; 799250014; USE ITEM 4 FOR 799250015 &amp; 799250016</p>	<p>RELEASED EC NO: MEX2007-0158 DRWN: AOROZCO 2007/06/11 CHKD: ACUEVAS 2007/06/11 APPR: ACUEVAS 2007/06/11</p>	<p>QUALITY SYMBOLS ▽=0 ▽=0</p>	GENERAL TOLERANCES (UNLESS SPECIFIED)		DIMENSION STYLE IN/MM		SCALE	DESIGN UNITS	<p>THIRD ANGLE PROJECTION</p>																
			<table border="1"> <thead> <tr> <th></th> <th>mm</th> <th>INCH</th> </tr> </thead> <tbody> <tr> <td>4 PLACES</td> <td>± ---</td> <td>± ---</td> </tr> <tr> <td>3 PLACES</td> <td>± ---</td> <td>± .010</td> </tr> <tr> <td>2 PLACES</td> <td>± 0.25</td> <td>± ---</td> </tr> <tr> <td>1 PLACE</td> <td>± ---</td> <td>± ---</td> </tr> </tbody> </table>			mm	INCH	4 PLACES		± ---	± ---	3 PLACES	± ---	± .010	2 PLACES	± 0.25	± ---	1 PLACE	± ---	± ---	DRAWN BY DATE AOROZCO 09/15/2003		TITLE TDP 100 OHM DIFFERENTIAL CABLE ASSEMBLY 48CKT M3 & 4-40 JACKSCREW		<p>MOLEX INCORPORATED</p>
				mm	INCH																				
			4 PLACES	± ---	± ---																				
3 PLACES	± ---	± .010																							
2 PLACES	± 0.25	± ---																							
1 PLACE	± ---	± ---																							
ANGULAR ±1/2°		CHECKED BY DATE AOROZCO 09/15/2003		APPROVED BY DATE ACUEVAS 09/15/2003		<p>DOCUMENT NO. SD-79925-0014</p>																			
DRAFT WHERE APPLICABLE MUST REMAIN WITHIN DIMENSIONS		MATERIAL NO. VARIOS		SHEET NO. 1 OF 1																					