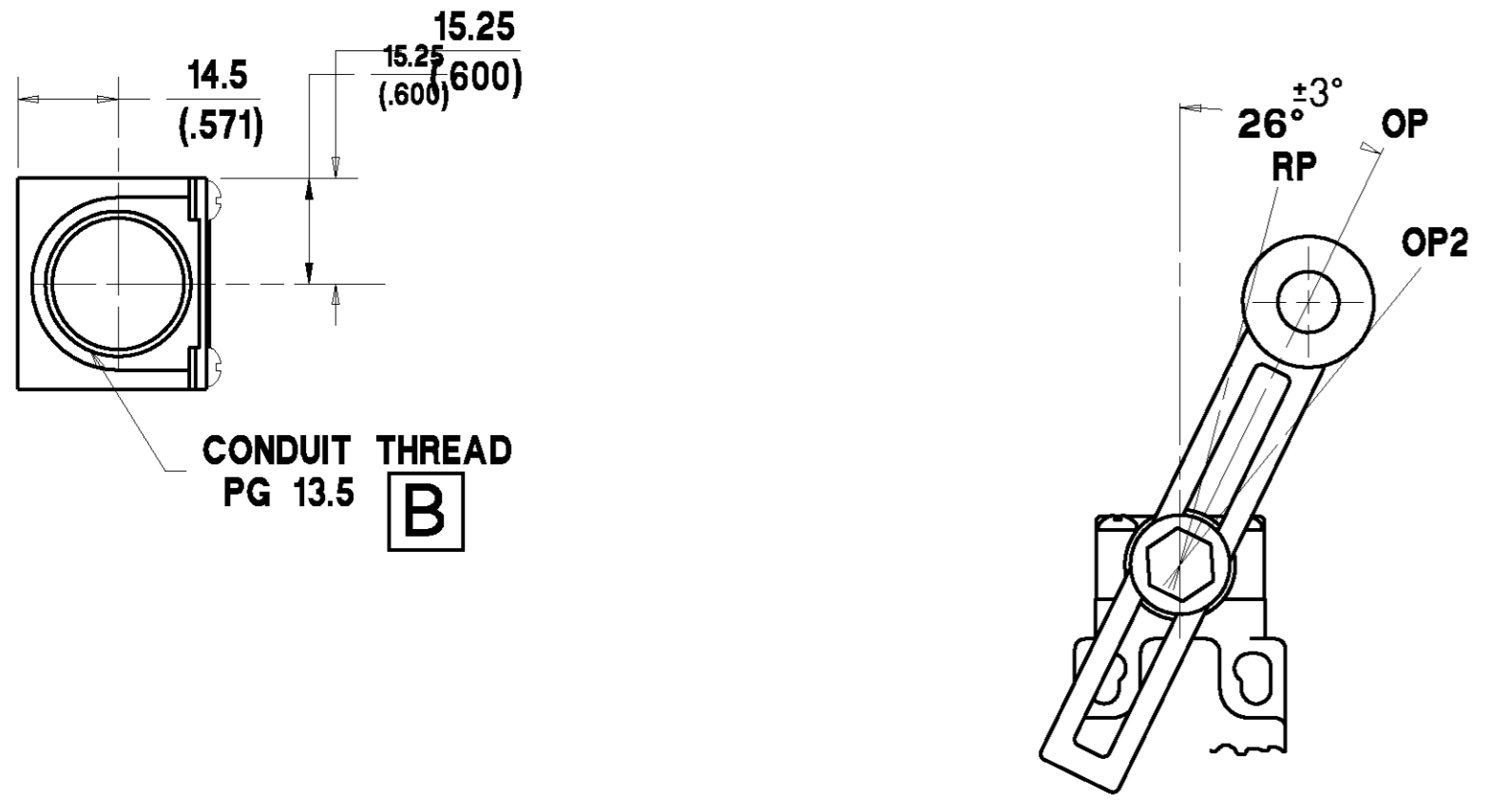
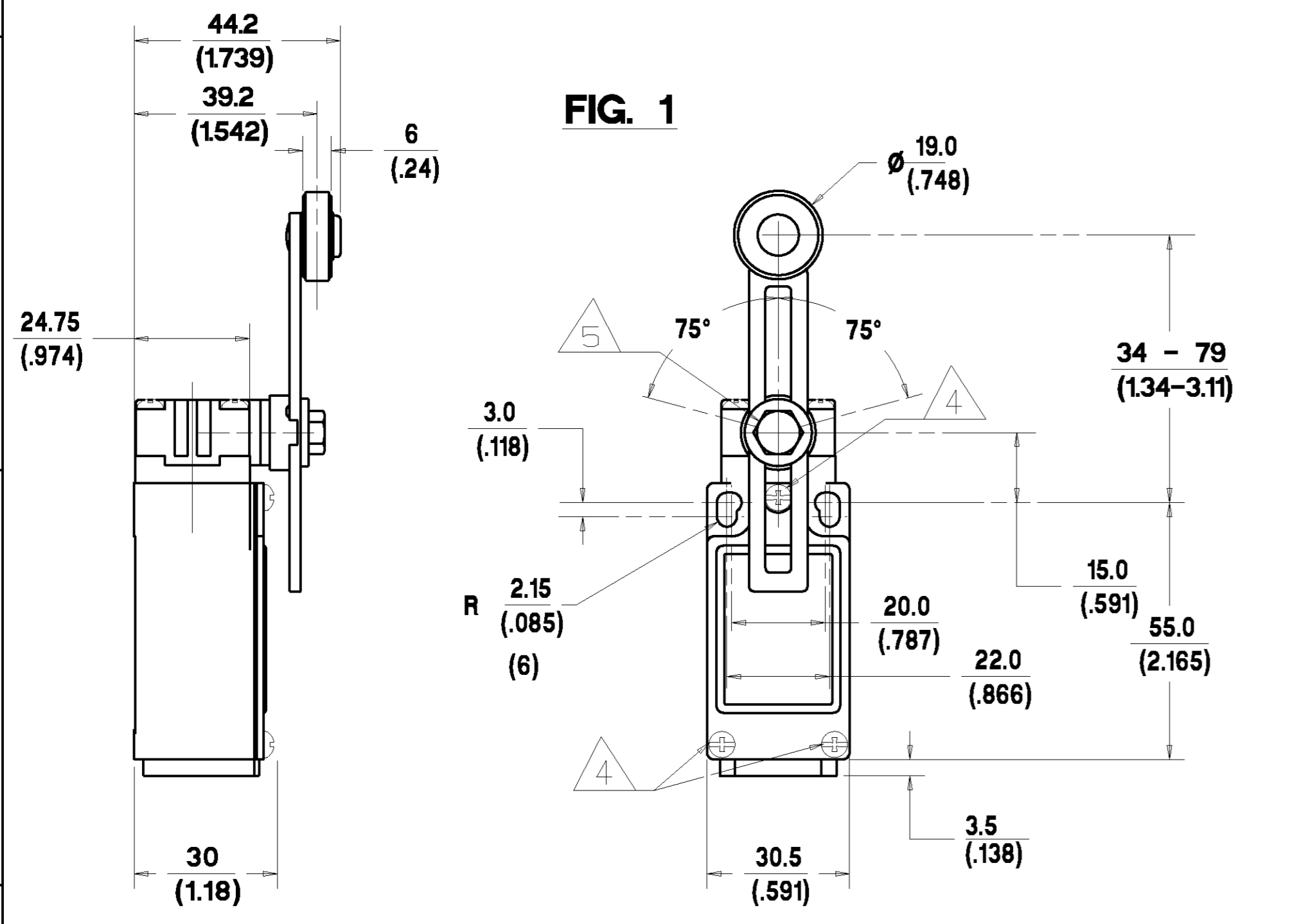


MTG-GL-191
REPLACES
DRAWING NUMBER
AO1B-185

ISSUE
6

REVISIONS
2 7/96
AO1B-262
3 12/96
AO1B-293
4 7/97
CO-000083
5 8/97
CO-000106
6 CO/395
I WEIR 6/98

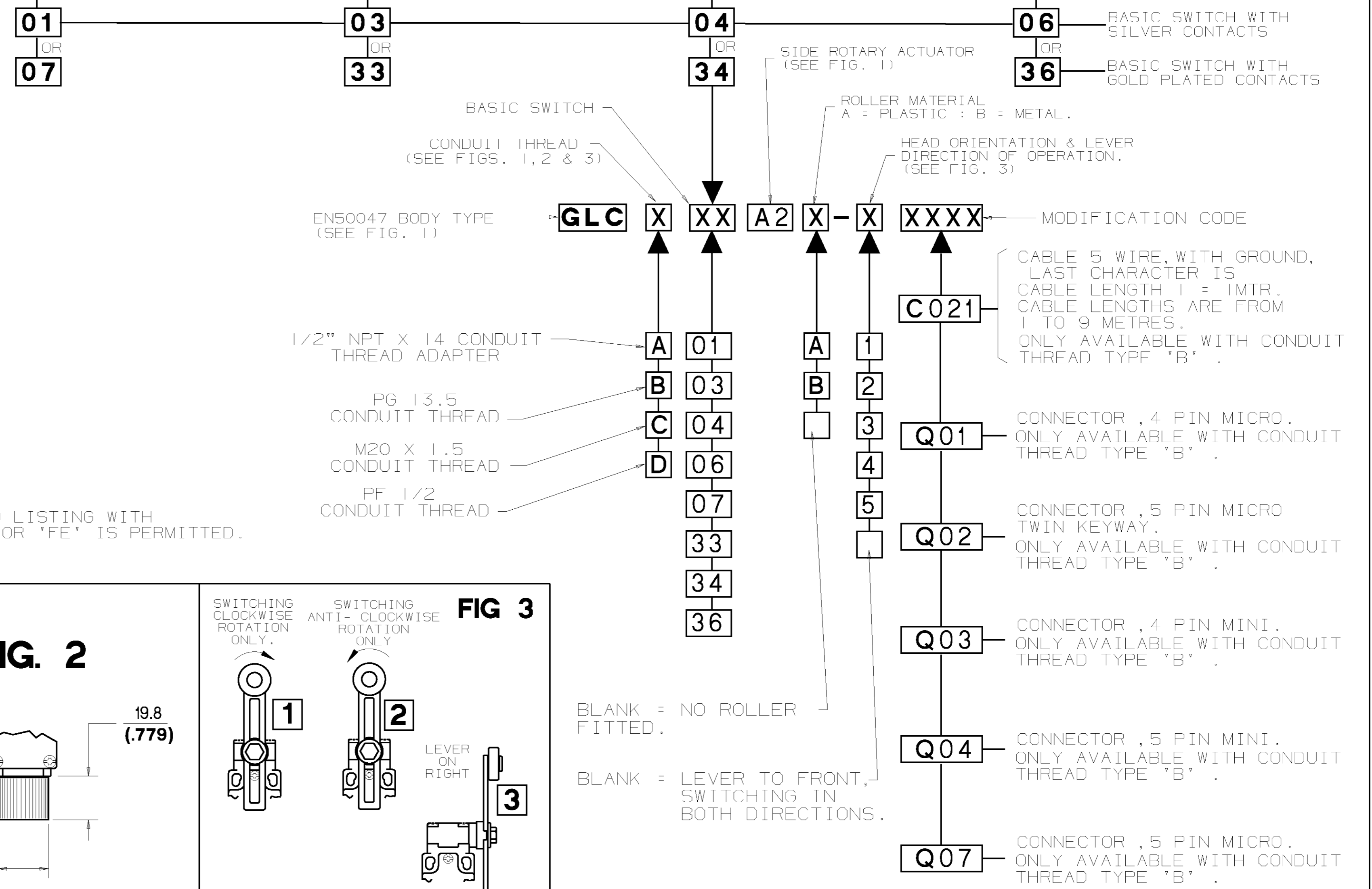
Honeywell **LIMIT SWITCH**
CATALOGUE LISTING
GLS
CHART NO.
MTG-GL-191



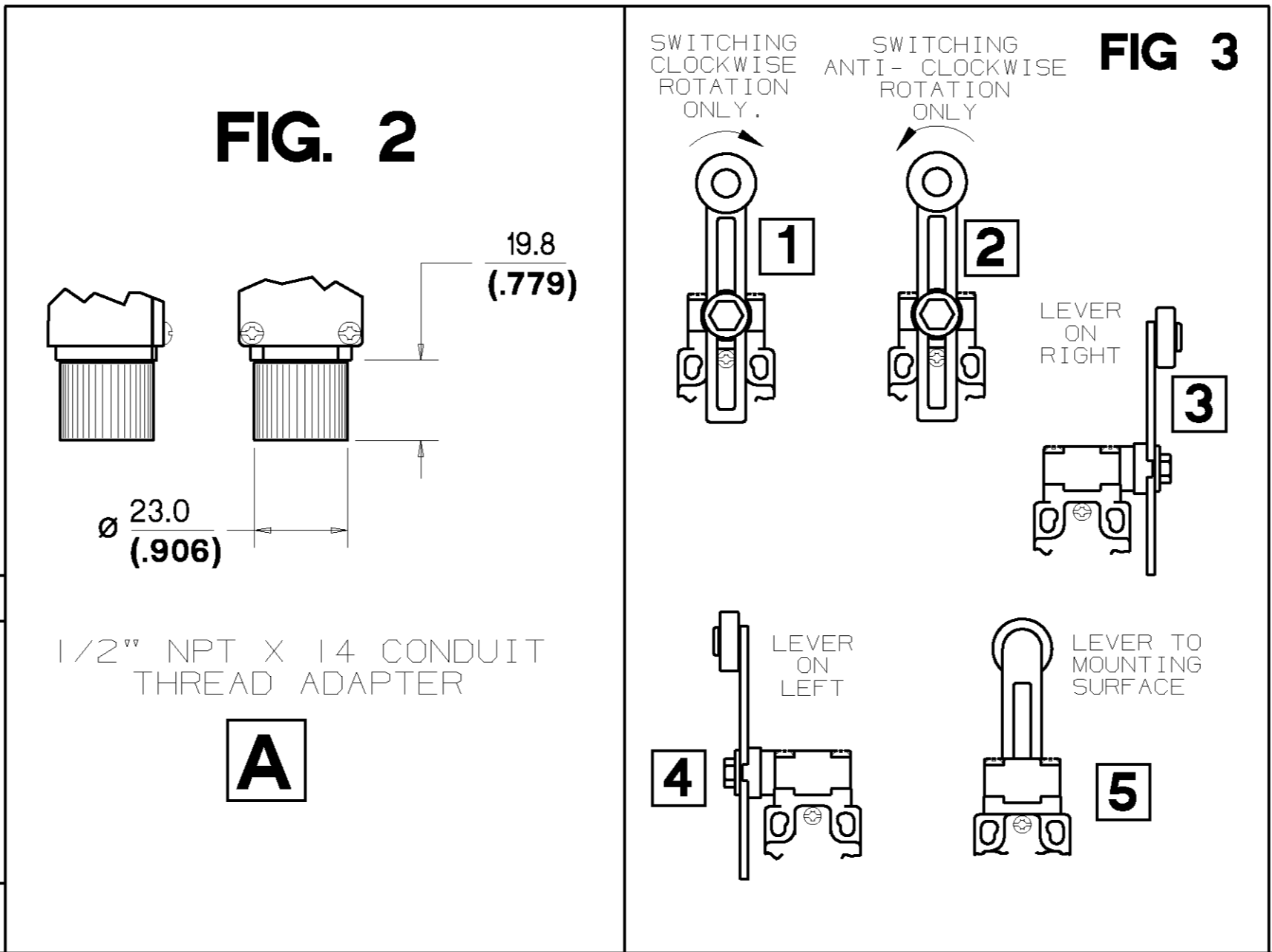
- NOTES:-
- ZINC DIECAST BODY AND HEAD WITH STEEL COVER. BODY AND COVER FINISHED IN MICRO SWITCH BLUE EPOXY PAINT. HEAD FINISHED IN BLACK EPOXY PAINT.
 - MINIMUM OPERATING VELOCITY (Vmin) = 0.26 rad/s
MAXIMUM OPERATING VELOCITY (Vmax) = 25 rad/s
MAXIMUM OPERATING FREQUENCY (Fmax) = 250 OPS/MIN
 - FREE POSITION (FP), OPERATING POINT (OP), OVERTRAVEL (OT) AND PRETRAVEL (PT) ALL TO EN50047.
 - MAXIMUM TIGHTENING TORQUE FOR FIXING SCREW = 0.5Nm (4.4in.LB)
 - MAXIMUM TIGHTENING TORQUE FOR FIXING SCREW = 0.8Nm (7in.LB)

NO CHANGES CAN BE MADE TO THIS DRAWING WITHOUT JOINT NEWHOUSE/FREEPORT APPROVAL

CONTACT BLOCK DIAGRAM TERMINAL DESIGNATION TO EN 50013	NOMINAL TRAVELS AND RELATED TERMINALS	NORMAL OPERATING TORQUE MAX	MAXIMUM DISCONNECT TORQUE
SNAP-ACTION CONTACTS 		120 (l1) 140 (l3)	
SLOW-ACTION CONTACTS (BREAK BEFORE MAKE) 		110 (l0)	160 (l5)
SLOW-ACTION CONTACTS (MAKE BEFORE BREAK) 		110 (l1)	170 (l6)
SLOW-ACTION CONTACTS (2 NORMALLY CLOSED) 		110 (l0)	150 (l4)



NOTE:- ANY STANDARD LISTING WITH SUFFIX 'RS' OR 'FE' IS PERMITTED.



STANDARD SILVER CONTACTS	GOLD PLATED CONTACTS	ENVIRONMENTAL	APPROVALS
ELECTRICAL RATING	ELECTRICAL RATING	ENVIRONMENTAL	APPROVALS
AC A300 AC15 Ue Ie	DC O300 DC13 Ue Ie	IP66 NEMA 1, 4, 12, 13 TEMP RANGE: -25°C TO 85°C -13°F TO 185°F STORAGE: -40°C TO 85°C -40°F TO 185°F	UL IEC 947-5-1 EN50047
VOLTS AMPS 120 6 240 3	VOLTS AMPS 125 0.55 250 0.27	I _{th} = 10A IV 10µA MIN. 50V 100mA MAX.	
SHOCK: 50G PER IEC 68-2-27 VIBRATION: 10G PER IEC 68-2-6			

SCALE: 1:1
DIMENSIONS ARE IN MM/INCHES.
MODIFY ON CAD SYSTEM ONLY

NOTE: FOR CONNECTION DIAGRAMS AND ADDITIONAL ELECTRICAL, ENVIRONMENTAL & DIMENSIONAL INFORMATION SEE DRAWING GL-4922.