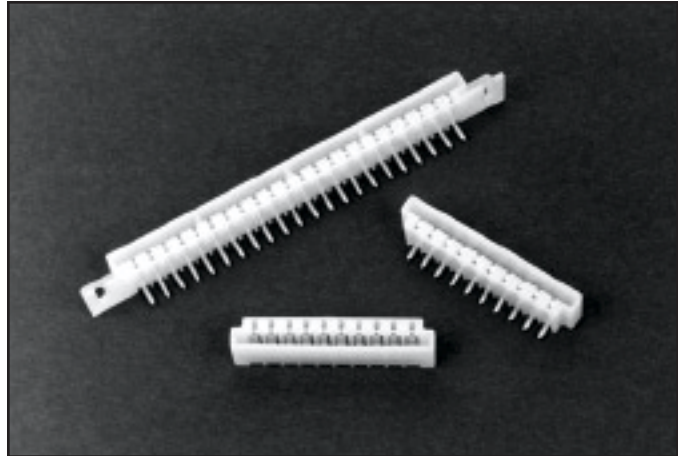


.156" (3.96mm) Series 3200 Card Edge Connector



3200 SERIES CARD EDGE

PART NUMBER LEGEND

320X-OXX-21XX-XX-X

POLARIZING RIB LOCATION (SEE TABLE PAGE 1)

MOUNTING STYLE

01 = WITHOUT EARS

02 = WITH EARS

CONTACT TAIL (SEE TABLE 2)

NUMBER OF CONTACTS (SEE TABLE 1)

PLATING

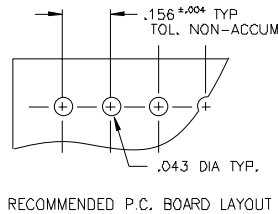
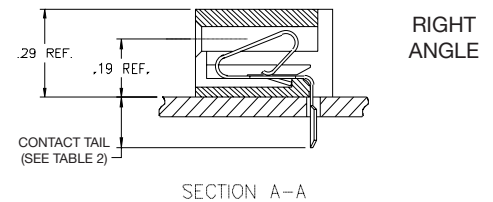
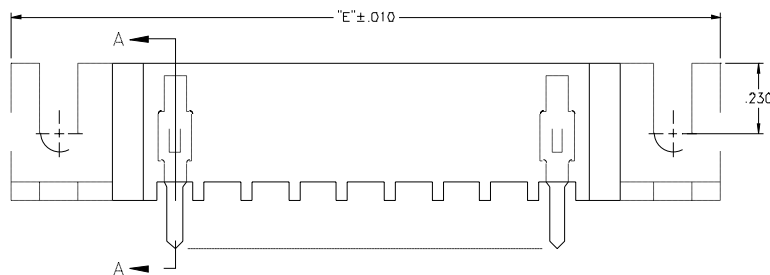
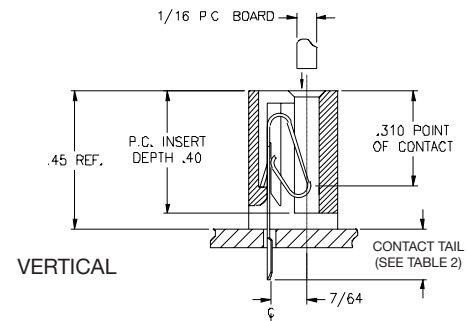
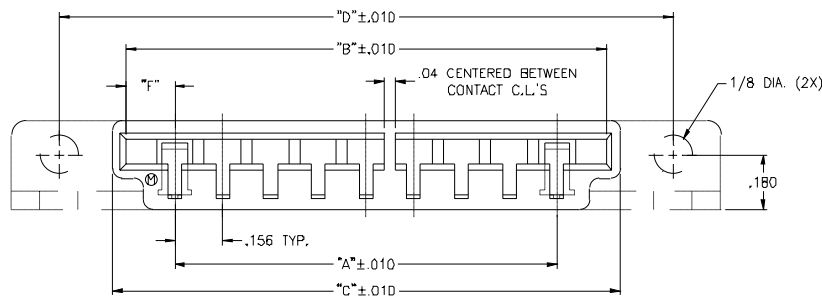
0 = TIN PLATE

2 = .000015 GOLD OVER NICKEL

8 = SELECTIVE GOLD .000020 OVER NICKEL (MATING AREA). TIN OVER NICKEL (SOLDER TAIL)

NOTE:

1) MATERIAL: INSULATOR - NYLON 6/6 94V-2 (PAM-001)
CONTACT - BRASS



RECOMMENDED P.C. BOARD LAYOUT

TABLE 2

PART NO.	No. OF POS.	DIM "A"	DIM "B"	DIM "C"	DIM "D"	DIM "E"	DIM "F"	POLARIZING RIB BETWEEN CIRCUITS	
32XX-004-21XX-XX	4	.468	.788	.878	1.224	1.537	.160	NONE	
↑-005	5	.624	.944	1.034	1.380	1.693	.160	NONE	
↑-006	6	.780	1.100	1.190	1.536	1.849	.160	NONE	
↑-006	-1	.780	1.100	1.190	1.536	1.849	.160	2&3, 4&5	
↑-007	7	.936	1.256	1.346	1.536	2.005	.160	NONE	
↑-008	-0	.8	1.092	1.412	1.502	1.848	2.161	.160	NONE
↑-008	-1	.8	1.092	1.412	1.502	1.848	2.161	.160	2&3
↑-009	9	1.248	1.568	1.658	2.004	2.317	.160	5&6	
↑-009	-1	.9	1.248	1.568	1.658	2.004	2.317	.160	2&3, 5&6, 7&8
↑-009	-2	.9	1.248	1.568	1.658	2.004	2.317	.160	NONE
↑-010	-0	1.0	1.404	1.724	1.814	2.160	2.473	.160	NONE
↑-010	-1	1.0	1.404	1.724	1.814	2.160	2.473	.160	4&5, 7&8
↑-010	-2	1.0	1.404	1.724	1.814	2.160	2.473	.160	5&6, 7&8
↑-012	12	1.716	2.036	2.126	2.472	2.785	.160	6&7	
↑-012	-1	1.2	1.716	2.036	2.126	2.472	2.785	.160	2&3, 5&6, 7&8, 9&10
↑-015	-0	1.5	2.184	2.504	2.594	2.940	3.253	.160	NONE
↑-015	-1	1.5	2.184	2.504	2.594	2.940	3.253	.160	4&5, 8&9, 11&12
↑-015	-2	1.5	2.184	2.504	2.594	2.940	3.253	.160	4&5, 7&8, 11&12
↑-018	18	2.652	2.972	3.062	3.408	3.721	.160	6&7, 12&13	
↑-020	20	2.964	3.284	3.374	3.720	4.033	.160	6&7, 14&15	
↑-022	22	3.276	3.596	3.686	4.032	4.345	.160	5&6, 11&12, 16&17	
↑-024	24	3.588	3.784	3.874	4.220	4.532	.098	7&8, 13&14, 19&20	
32XX-024-21XX-XX-1	24	3.588	3.784	3.874	4.220	4.532	.098	NONE	

ADDITIONAL SPECIFICATIONS

TABLE 2		
TAIL No.	LENGTH	STYLE
01	.125	VERTICAL
02	.165 ± .020	VERTICAL
03	.125	PARALLEL
04	.165 ± .020	PARALLEL