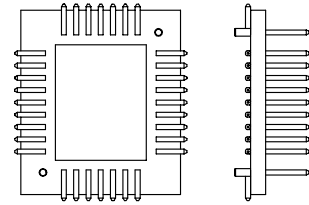
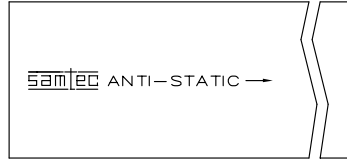
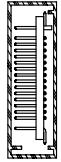


REVISION R PARTS TO BE
PACKAGED IN TUBES
AS SHOWN
(SEE TABLE 1)
(-S: SURFACE MOUNT ONLY)



PLCA-032-XX-S-A ONLY

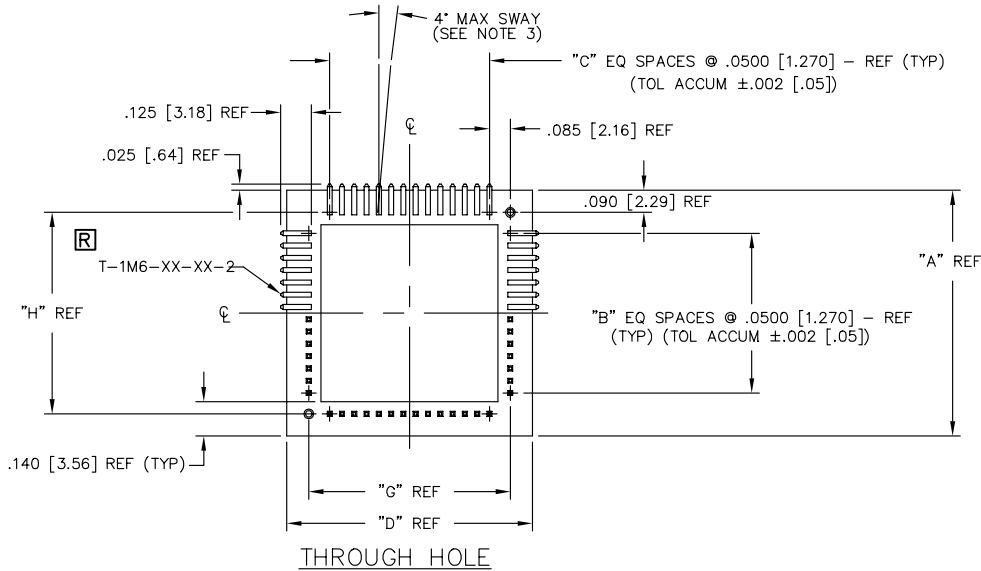
ON -032, ALIGNMENT PINS
SHOULD APPEAR AS SHOWN

DIMENSIONS ARE IN INCHES		UNLESS OTHERWISE NOTED		TOLERANCES ARE:	TITLE:	DWG NO:
ONE PLACE DECIMALS ± .1 [3]	THREE PLACE DECIMALS ± .005 [13]	ANGLES			PLCC ADAPTOR ASSEMBLY	PLCA-XXX-XX-X-X
TWO PLACE DECIMALS ± .01 [.3]	FOUR PLACE DECIMALS ± .0020 [.051]	± 2°				SHEET 1 OF 1

PLCA-XXX-XX-X-X

- NO. OF POS. SEE TABLE 1 (USE PLCA-XXX)
- OPTION
-N: NO ALIGNMENT PIN
-A: ALIGNMENT PIN (USE PIN-06) (NOT AVAILABLE ON THRU HOLE)
- MOUNTING OPTION
-T: THROUGH HOLE (USE T-1M6-25-XX-2)
-S: SURFACE MOUNT (USE T-1M6-29-XX-2)
- PLATING SPEC.
-T: TIN (USE TERMINAL T-1M6-XX-T-2)
-S: SELECTIVE (USE TERMINAL T-1M6-XX-S-2)
-TM: MATTETIN (USE TERMINAL T-1M6-XX-TM-2)
-SM: GOLD CONTACT/ MATTE TIN TAIL (USE TERMINAL T-1M6-XX-SM-2)

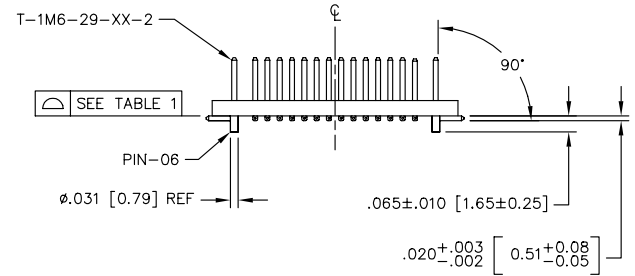
SURFACE MOUNT



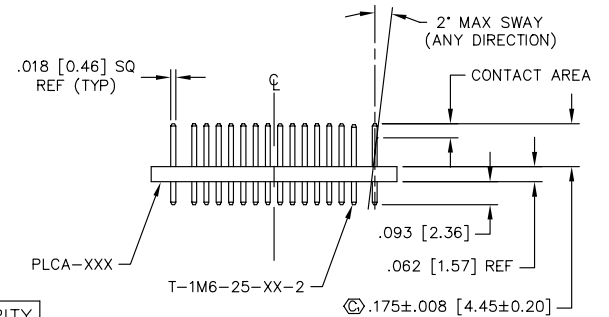
THROUGH HOLE

TABLE 1

XXX	"A"	"B"	"C"	"D"	"G"	"H"	PACKAGING TUBE	PLUG	COPLANARITY (TOP OF PINS)
020	.550 [13.97]	4	4	.550 [13.97]	.3700 [9.40]	.3700 [9.40]	PT-1-24-06-51	TP-13 (2)	.004 [.10]
028	.650 [16.51]	6	6	.650 [16.51]	.4700 [11.94]	.4700 [11.94]	PT-1-24-01-51	TP-13 (2)	.004 [.10]
032	.750 [19.05]	8	6	.650 [16.51]	.4700 [11.94]	.5700 [14.48]	PT-1-24-01-51	TP-13 (2)	.004 [.10]
044	.850 [21.59]	10	10	.850 [21.59]	.6700 [17.02]	.6700 [17.02]	PT-1-24-02-51	TP-13 (2)	.006 [.15]
052	.950 [24.13]	12	12	.950 [24.13]	.7700 [19.56]	.7700 [19.56]	PT-1-24-03-51	TP-13 (2)	.006 [.15]
068	1.150 [29.21]	16	16	1.150 [29.21]	.9700 [24.64]	.9700 [24.64]	PT-1-24-04-51	TP-13 (2)	.006 [.15]
084	1.350 [34.29]	20	20	1.350 [34.29]	1.1700 [29.72]	1.1700 [29.72]	PT-1-24-05-51	TP-25 (2)	.008 [.20]



SURFACE MOUNT
(SAME AS THROUGH HOLE, EXCEPT AS SHOWN)



THROUGH HOLE

- NOTES:
1.) NOTE DELETED.
2.) Ⓞ REPRESENTS A CRITICAL DIMENSION.
3.) LEADS IN ONE ROW MUST BE SWAYED THE SAME DIRECTION.

PROPRIETARY NOTE
THIS DOCUMENT CONTAINS INFORMATION CONFIDENTIAL AND PROPRIETARY TO SAMTEC INC. AND SHALL NOT BE REPRODUCED OR TRANSMITTED TO OTHER DOCUMENTS OR DISCLOSED TO OTHERS OR USED FOR ANY PURPOSE OTHER THAN THAT FOR WHICH IT WAS OBTAINED WITHOUT THE EXPRESSED WRITTEN CONSENT OF SAMTEC INC.

MATERIAL:
INSULATOR:
NATURAL FR-4 EPOXY BOARD
UL RATED 94V-0
TERMINAL:
SPRING TEMPER, PHOSPHOR BRONZE



EXISPROD\ASSEMBLY\PLCC
PLCA-ASM
520 PARK EAST BLVD. NEW ALBANY, INDIANA 47150
PHONE (812) 944-6733 P.O. BOX 1147
CODE 55322

PLOT SCALE: 1 = .3333

MADE BY: BRYANT 02-04-91
CHECKED BY: ECKERT

ENG. APPROVAL
P.A.E.

PLCA-XXX-XX-X-X
SHEET 1 OF 1