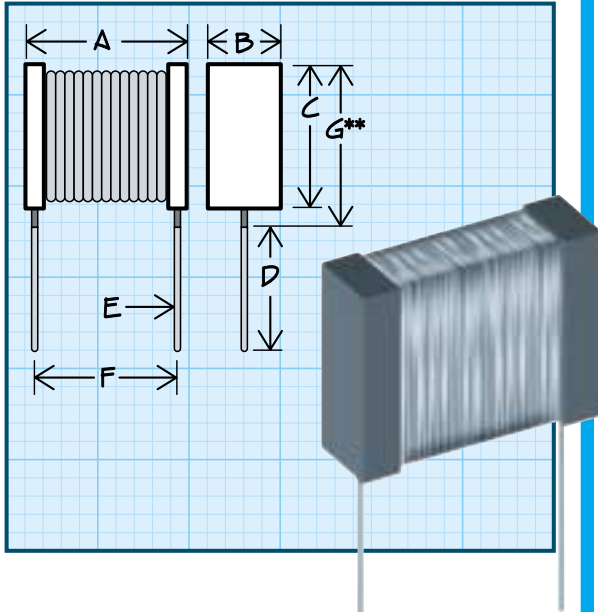


Radial Leaded Inductors



Physical Parameters

Inches	Millimeters
A 0.374 to 0.400	9.50 to 10.16
B 0.165 Max.	4.19 Max.
C 0.310 Max.	7.87 Max.
D 0.750 Min.	19.05 Min.
E 0.020 Typical	0.50 Typical
F 0.300 Typical	7.62 Typical
G **0.400 Max.	10.16 Max.

** Clean Lead to Clean Lead

Mechanical Configuration Radial leaded ferrite coil

Operating Temperature -55°C to +125°C

Incremental Current The DC Current at which the inductance will be decreased by 5% maximum from the zero DC value

Maximum Rated Current Based on 40°C temperature rise from 85°C ambient

Maximum Power Dissipation 0.200 watts at 85°C

Inductance Tolerance Suffix letter listed in API Part Number table: M = +/- 20%; K = +/- 10%

Packaging Bulk only

DASH NUMBER*	INDUCTANCE (µH)	Q MIN.	L & Q TEST FREQUENCY (MHz)	DC RESISTANCE MAXIMUM (OHMS)	CURRENT RATING MAXIMUM (mA)	INCREMENTAL CURRENT (mA)
SERIES 4669						
-102M	1.00	40	7.90	0.010	3.60	7.00
-122M	1.20	40	7.90	0.012	3.30	6.00
-152M	1.50	40	7.90	0.015	3.00	5.00
-182M	1.80	40	7.90	0.020	2.55	4.80
-222M	2.20	40	7.90	0.025	2.30	4.40
-272M	2.70	40	7.90	0.028	2.15	4.00
-332M	3.30	40	7.90	0.036	1.90	3.70
-392M	3.90	40	7.90	0.050	1.60	3.40
-472M	4.70	40	7.90	0.055	1.55	3.20
-562M	5.60	35	7.90	0.090	1.40	2.80
-682M	6.80	35	7.90	0.110	1.10	2.60
-822M	8.20	35	7.90	0.115	1.05	2.20
-103K	10.0	35	7.90	0.120	1.04	2.10
-123K	12.0	50	2.50	0.140	0.95	2.00
-153K	15.0	50	2.50	0.155	0.91	1.60
-183K	18.0	50	2.50	0.180	0.85	1.50
-223K	22.0	50	2.50	0.230	0.75	1.40
-273K	27.0	50	2.50	0.265	0.70	1.30
-333K	33.0	50	2.50	0.345	0.61	1.20
-393K	39.0	50	2.50	0.370	0.59	1.10
-473K	47.0	40	2.50	0.500	0.51	1.00
-563K	56.0	40	2.50	0.685	0.44	0.95
-683K	68.0	50	2.50	0.885	0.38	0.90
-823K	82.0	55	2.50	1.200	0.33	0.85
-104K	100	50	2.50	1.495	0.29	0.80
-124K	120	70	0.79	1.725	0.27	0.65
-154K	150	70	0.79	1.955	0.25	0.60
-184K	180	70	0.79	2.070	0.24	0.55
-224K	220	70	0.79	2.185	0.23	0.50
-274K	270	70	0.79	2.530	0.22	0.45
-334K	330	70	0.79	3.335	0.20	0.41
-394K	390	70	0.79	3.450	0.19	0.39
-474K	470	70	0.79	5.290	0.16	0.35
-564K	560	70	0.79	5.405	0.15	0.32
-684K	680	65	0.79	5.930	0.14	0.29
-824K	820	60	0.79	6.325	0.14	0.27
-105K	1000	50	0.79	7.130	0.13	0.25
-125K	1200	70	0.25	10.00	0.11	0.21
-155K	1500	75	0.25	14.26	0.10	0.19
-185K	1800	80	0.25	15.76	0.09	0.17
-225K	2200	80	0.25	17.60	0.08	0.15
-275K	2700	80	0.25	19.32	0.08	0.14
-335K	3300	80	0.25	21.75	0.07	0.13
-395K	3900	70	0.25	26.00	0.07	0.12
-475K	4700	65	0.25	29.90	0.06	0.11

*Complete part # must include series # PLUS the dash #

For further surface finish information, refer to TECHNICAL section of this catalog.