

RED IS ORIGINAL

DISK # DWG SIZE DATA CONTAINED IN THIS DOCUMENT IS PROPRIETARY TO TROMPETER ELECTRONICS, INC. AND SHALL NOT BE DISCLOSED, COPIED OR USED FOR REPRODUCTION OR MANUFACTURE WITHOUT EXPRESS WRITTEN PERMISSION.

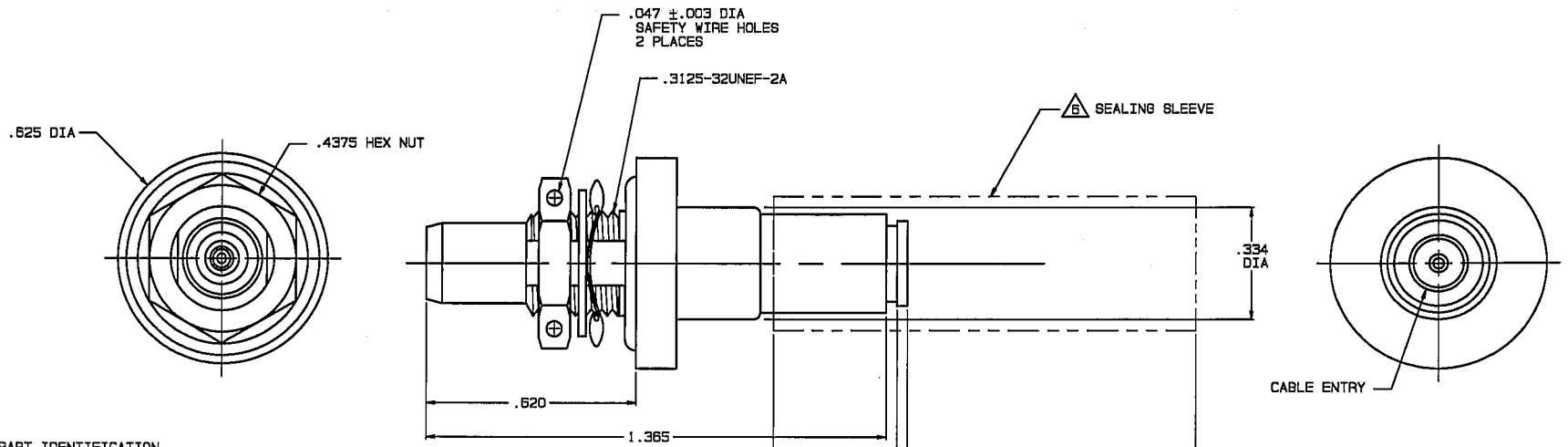
J8 C

REVISIONS			305-0736	SH 1	
REV	EO	DESCRIPTION	DWN	APPROVED	DATE
A	10052	PICTORIALLY CHANGED 1.00 FLARED SEALING SLEEVE TO STRAIGHT (1.25) LONG SEALING SLEEVE; GENERAL UPDATE	DKC	<i>OKg, KJ</i>	12/13/92

DASH NO	MODEL NO	CENTER CONTACT/INTMD CONTACT TYPE
-1	BJ3459AC P (MOD)	SOCKET/PIN
-2	BJ3459AC S (MOD)	PIN/SOCKET

CABLE GROUP NO	CABLES ACCOMMODATED	ASSEMBLE PER
-201	M17-176-00002	TAI-162
-202	TWC-78-1, TROMPETER	
-203	TWC-124-1A, TROMPETER	
-204	10602, RAYCHEM	
-205	TWAC-78-1F2, TROMPETER	
-206	782600130, RAYCHEM	
-208	202-3927, MICRODOT	
-209	202-3942, MICRODOT	
-217	6C875TM24H GRUMMAN	
-218	EPD221889, RAYCHEM	
-219	252601114, RAYCHEM	
-220	6C875RR1, GRUMMAN	
-221	10614, RAYCHEM	
-222	10613, RAYCHEM	
-223	HMS2-1149, HUGHES	

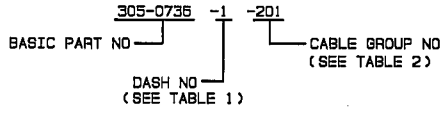
INCH	MM
.003	0.08
.0050	0.13
.010	0.25
.030	0.76
.047	1.19
.125	3.18
.255	6.48
.274	6.96
.278	7.06
.330	8.38
.334	8.48
.335	8.51
.4375	11.11
.620	15.75
.625	15.88
1.25	31.75
1.365	34.67



7. MARK PART IDENTIFICATION PER MIL-STD-130

△ SEALING SLEEVE & CRIMP BUSHING SUPPLIED LOOSE WITH EACH CONNECTOR EXCEPT NOT USED ON -205, -208 & -223

5. EXAMPLE OF COMPLETE PART NO:

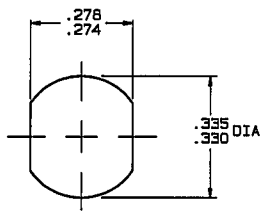


4. MAX PANEL THK: .125

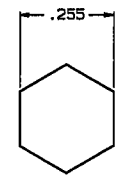
3. CONCENTRIC TWINAX 4 PIECE ASSY, FULL CRIMP NONINSULATED BULKHEAD MOUNT RECEPTACLE, SOCKET CENTER CONTACT AND PIN INTERMEDIATE CONTACT OR PIN CENTER CONTACT AND SOCKET INTERMEDIATE CONTACT

2. FINISH: TFS-1U (500 HOURS SALT SPRAY; NICKEL)

1. ALL DIM ARE IN INCHES



RECOMMENDED PANEL CUTOUT



RECOMMENDED HEX CRIMP

-1-221 SHOWN

QTY	DESCRIPTION	PART NUMBER	ITEM
TOL UNLESS SPECIFIED .XX ± .03 .XXX ± .010 .XXXX ± .0050 ANGLES:	TROMPETER ELECTRONICS, INC.	BJ3459ACP/S (MODIFIED)	
DWN DKC 12-7-92	MATERIAL	CODE IDENT	DRAWING NO.
CHK <i>OKg</i> 12/17/92	—	14949	305-0736
ENGR <i>KJ</i>	SCALE 4/1	DATE 1-15-90	SHEET 1 OF 2
APPR <i>KJ</i>	NEXT ASSY		