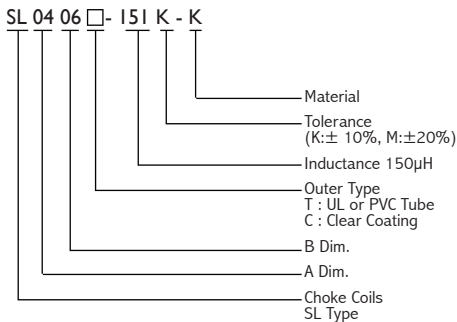


CHOKE COILS  
SL TYPE

# SL0406 Series

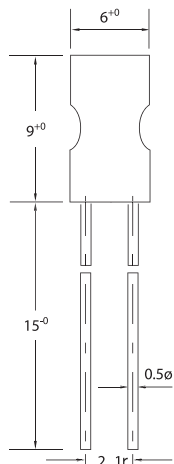


## PRODUCT IDENTIFICATION



## DIMENSIONS

Dimensions : mm



## FEATURES

- Low Cost
- Wide Range of Inductance
- High Reliability

## ELECTRICAL PARAMETERS

ITEM	INDUC-TANCE L (µH)	TEST FREQ. (MHz)	STANDARD SPEC.			IDC (mA)
			Q Min.	S.R.F. Min. (MHz)	D.C. RESISTANCE Max. (Ω)	
SL0406-1R0K-D2	1.0	7.96	50	105	0.15	300
SL0406-1R2K-D2	1.2	7.96	50	90	0.15	300
SL0406-1R5K-D2	1.5	7.96	55	75	0.20	300
SL0406-1R8K-D2	1.8	7.96	70	75	0.20	300
SL0406-2R2K-D2	2.2	7.96	75	65	0.25	300
SL0406-2R7K-D2	2.7	7.96	80	60	0.25	300
SL0406-3R3K-D2	3.3	7.96	80	50	0.25	300
SL0406-3R9K-D2	3.9	7.96	80	45	0.30	300
SL0406-4R7K-D2	4.7	7.96	75	40	0.30	300
SL0406-5R6K-D2	5.6	7.96	75	35	0.35	300
SL0406-6R8K-D2	6.8	7.96	70	30	0.35	300
SL0406-8R2K-D2	8.2	7.96	70	25	0.35	300
SL0406-100K-D2	10	2.52	80	20	0.60	300
SL0406-120K-D2	12	2.52	80	18	0.65	200
SL0406-150K-D2	15	2.52	80	17	0.75	200
SL0406-180K-D2	18	2.52	75	15	0.85	200
SL0406-220K-D2	22	2.52	75	13	1.00	200
SL0406-270K-D2	27	2.52	75	11	1.20	200
SL0406-330K-D2	33	2.52	75	10.5	1.30	200
SL0406-390K-D2	39	2.52	70	10.0	1.50	200
SL0406-470K-K	47	2.52	70	9.5	1.60	200
SL0406-560K-K	56	2.52	65	9.0	1.65	200
SL0406-680K-K	68	2.52	60	8.5	1.80	200
SL0406-820K-K	82	2.52	55	7.5	1.85	200
SL0406-101K-K	100	0.796	80	7.0	2.00	200
SL0406-121K-K	120	0.796	80	6.2	2.50	100
SL0406-151K-K	150	0.796	80	5.8	3.00	100
SL0406-181K-K	180	0.796	75	5.4	3.50	100
SL0406-221K-K	220	0.796	75	4.9	4.00	100
SL0406-271K-K	270	0.796	70	3.9	5.00	100
SL0406-331K-K	330	0.796	70	3.7	6.00	50
SL0406-391K-K	390	0.796	70	3.3	6.50	50
SL0406-471K-K	470	0.796	70	3.0	7.50	50
SL0406-561K-K	560	0.796	70	2.2	8.00	50
SL0406-681K-K	680	0.796	70	2.0	8.50	50
SL0406-821K-K	820	0.796	70	1.8	9.50	50

\* Customers' specifications are welcome.

## TEST INSTRUMENTS

- L & Q : HP 4385 + HP 42851A
- RDC : CHEN HWA502BC
- SRF : HP4287A
- IDC : CHEN HWA CH1061+301A

- YAGEO the part number of lead-free products will be added "-N" after original one as identification. Ex: SL0406 - 1R0K-D2-N
- YAGEO uses UL tube on SL Series to avoid damage when wave soldering
- Customized specifications are also welcome

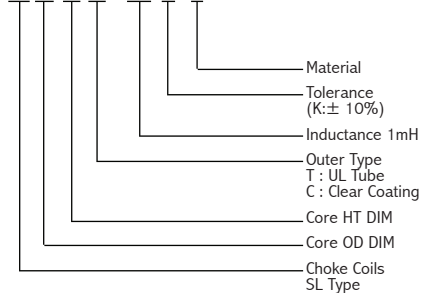
# CHOKE COILS SL TYPE

# SL0608 Series



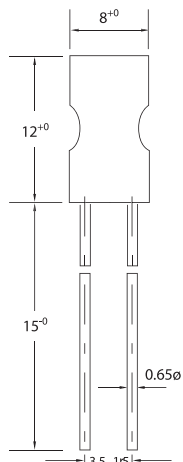
## PRODUCT IDENTIFICATION

SL 06 08 □ - 102 K - B



## DIMENSIONS

Dimensions : mm



## FEATURES

- Low Cost
- Wide Range of Inductance
- High Reliability

## ELECTRICAL PARAMETERS

ITEM	INDUCTANCE L (mH)	TEST FREQ. (MHz)	Q. Min.	D.C. RESISTANCE Max. (Ω)	IDC (mA)
SL0608□-102K-B	1.0	252	80	4.0	110
SL0608□-122K-B	1.2	252	80	4.7	95
SL0608□-152K-B	1.5	252	80	5.9	90
SL0608□-182K-B	1.8	252	80	6.0	80
SL0608□-222K-B	2.2	252	80	7.3	70
SL0608□-272K-B	2.7	252	80	9.0	65
SL0608□-332K-B	3.3	252	80	10	60
SL0608□-392K-B	3.9	252	80	11	55
SL0608□-472K-B	4.7	252	80	15	52
SL0608□-562K-B	5.6	252	80	16	50
SL0608□-682K-B	6.8	252	80	22	45
SL0608□-822K-B	8.2	252	80	25	40
SL0608□-103K-B	10	79.6	80	32.5	35
SL0608□-123K-B	12	79.6	80	53	32
SL0608□-153K-B	15	79.6	80	62	30
SL0608□-183K-B	18	79.6	80	68	28
SL0608□-223K-B	22	79.6	80	78	25
SL0608□-273K-B	27	79.6	80	90	22
SL0608□-333K-B	33	79.6	80	150	20
SL0608□-393K-B	39	79.6	80	160	16
SL0608□-473K-B	47	79.6	80	190	15

\* Customers' specifications are welcome.

## TEST INSTRUMENTS

- L & Q : HP 4285 + HP 42851A
- RDC : CHEN HWA502BC

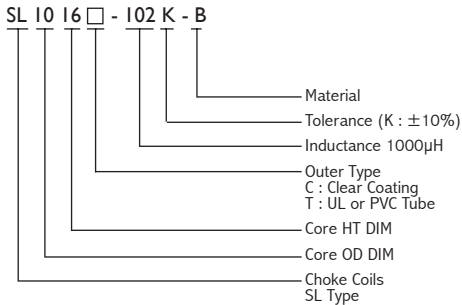
- YAGEO the part number of lead-free products will be added "-N" after original one as identification. Ex: SL0608 □ -102K-B-N
- YAGEO uses UL tube on SL Series to avoid damage when wave soldering
- Customized specifications are also welcome

# CHOKE COILS SL TYPE

# SL1016 Series

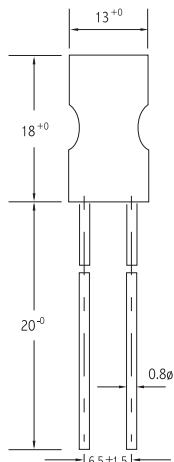


## PRODUCT IDENTIFICATION



## DIMENSIONS

Dimensions : mm



## FEATURES

- Low Cost
- Wide Range of Inductance
- High Reliability

## ELECTRICAL PARAMETERS

ITEM	INDUCTANCE L (μH)	D.C. RESISTANCE Max. (Ω)	IDC (A)
SL1016□-4R7K-B	4.7	0.018	10
SL1016□-6R8K-B	6.8	0.020	10
SL1016□-8R2K-B	8.2	0.022	10
SL1016□-100K-B	10	0.027	7.6
SL1016□-120K-B	12	0.024	7.5
SL1016□-150K-B	15	0.031	6.5
SL1016□-180K-B	18	0.039	6.0
SL1016□-220K-B	22	0.039	5.4
SL1016□-330K-B	33	0.047	4.4
SL1016□-470K-B	47	0.053	3.8
SL1016□-560K-B	56	0.068	3.4
SL1016□-680K-B	68	0.078	3.0
SL1016□-101K-B	100	0.099	2.5
SL1016□-121K-B	120	0.128	2.0
SL1016□-151K-B	150	0.182	1.8
SL1016□-181K-B	180	0.195	1.6
SL1016□-221K-B	220	0.312	1.4
SL1016□-271K-B	270	0.32	1.3
SL1016□-331K-B	330	0.39	1.2
SL1016□-391K-B	390	0.40	1.1
SL1016□-471K-B	470	0.49	1.0
SL1016□-561K-B	560	0.52	0.95
SL1016□-681K-B	680	0.88	0.80
SL1016□-821K-B	820	0.89	0.75
SL1016□-102K-B	1000	1.50	0.65
SL1016□-122K-B	1200	1.15	0.60
SL1016□-152K-B	1500	1.3	0.52
SL1016□-182K-B	1800	1.9	0.50
SL1016□-222K-B	2200	2.0	0.45
SL1016□-332K-B	3300	4.6	0.35
SL1016□-472K-B	4700	5.6	0.30
SL1016□-682K-B	6800	7.0	0.25
SL1016□-752K-B	7500	7.7	0.24
SL1016□-822K-B	8200	10.4	0.23
SL1016□-103K-B	10000	11.7	0.18
SL1016□-123K-B	12000	13.8	0.16
SL1016□-153K-B	15000	15.6	0.15
SL1016□-223K-B	22000	23.4	0.10

## TEST INSTRUMENTS

- L : HP 4263B @ 1kHz, 1V
- RDC : CHEN HWA502BC
- IDC : CHEN HWA CH1061+301A
- Customers' specifications are welcome.

- YAGEO the part number of lead-free products will be added "-N" after original one as identification. Ex: SL1016□-4R7K-B-N
- YAGEO uses UL tube on SL Series to avoid damage when wave soldering
- Customized specifications are also welcome