

# S29GL-N MirrorBit® Flash Family

S29GL064N, S29GL032N

64 Megabit, 32 Megabit

3.0-Volt only Page Mode Flash Memory

Featuring 110 nm MirrorBit Process Technology

*Data Sheet (Advance Information)*

---



**Notice to Readers:** This document contains information on one or more products under development at Spansion Inc. The information is intended to help you evaluate this product. Do not design in this product without contacting the factory. Spansion Inc. reserves the right to change or discontinue work on this proposed product without notice.

## Notice On Data Sheet Designations

Spansion Inc. issues data sheets with Advance Information or Preliminary designations to advise readers of product information or intended specifications throughout the product life cycle, including development, qualification, initial production, and full production. In all cases, however, readers are encouraged to verify that they have the latest information before finalizing their design. The following descriptions of Spansion data sheet designations are presented here to highlight their presence and definitions.

### Advance Information

The Advance Information designation indicates that Spansion Inc. is developing one or more specific products, but has not committed any design to production. Information presented in a document with this designation is likely to change, and in some cases, development on the product may discontinue. Spansion Inc. therefore places the following conditions upon Advance Information content:

“This document contains information on one or more products under development at Spansion Inc. The information is intended to help you evaluate this product. Do not design in this product without contacting the factory. Spansion Inc. reserves the right to change or discontinue work on this proposed product without notice.”

### Preliminary

The Preliminary designation indicates that the product development has progressed such that a commitment to production has taken place. This designation covers several aspects of the product life cycle, including product qualification, initial production, and the subsequent phases in the manufacturing process that occur before full production is achieved. Changes to the technical specifications presented in a Preliminary document should be expected while keeping these aspects of production under consideration. Spansion places the following conditions upon Preliminary content:

“This document states the current technical specifications regarding the Spansion product(s) described herein. The Preliminary status of this document indicates that product qualification has been completed, and that initial production has begun. Due to the phases of the manufacturing process that require maintaining efficiency and quality, this document may be revised by subsequent versions or modifications due to changes in technical specifications.”

### Combination

Some data sheets contain a combination of products with different designations (Advance Information, Preliminary, or Full Production). This type of document distinguishes these products and their designations wherever necessary, typically on the first page, the ordering information page, and pages with the DC Characteristics table and the AC Erase and Program table (in the table notes). The disclaimer on the first page refers the reader to the notice on this page.

### Full Production (No Designation on Document)

When a product has been in production for a period of time such that no changes or only nominal changes are expected, the Preliminary designation is removed from the data sheet. Nominal changes may include those affecting the number of ordering part numbers available, such as the addition or deletion of a speed option, temperature range, package type, or  $V_{IO}$  range. Changes may also include those needed to clarify a description or to correct a typographical error or incorrect specification. Spansion Inc. applies the following conditions to documents in this category:

“This document states the current technical specifications regarding the Spansion product(s) described herein. Spansion Inc. deems the products to have been in sufficient production volume such that subsequent versions of this document are not expected to change. However, typographical or specification corrections, or modifications to the valid combinations offered may occur.”

Questions regarding these document designations may be directed to your local sales office.

# S29GL-N MirrorBit® Flash Family

S29GL064N, S29GL032N

64 Megabit, 32 Megabit

3.0 Volt-only Page Mode Flash Memory

Featuring 110 nm MirrorBit Process Technology



*Data Sheet (Advance Information)*

---

## Distinctive Characteristics

### Architectural Advantages

- **Single power supply operation**
- **Manufactured on 110 nm MirrorBit process technology**
- **Secured Silicon Sector region**
  - 128-word/256-byte sector for permanent, secure identification through an 8-word/16-byte random Electronic Serial Number, accessible through a command sequence
  - Programmed and locked at the factory or by the customer
- **Flexible sector architecture**
  - 64Mb (uniform sector models): One hundred twenty-eight 32 Kword (64 KB) sectors
  - 64 Mb (boot sector models): One hundred twenty-seven 32 Kword (64 KB) sectors + eight 4Kword (8KB) boot sectors
  - 32 Mb (uniform sector models): Sixty-four 32Kword (64 KB) sectors
  - 32 Mb (boot sector models): Sixty-three 32Kword (64 KB) sectors + eight 4Kword (8KB) boot sectors
- **Enhanced Versatile/O™ Control**
  - All input levels (address, control, and DQ input levels) and outputs are determined by voltage on  $V_{IO}$  input.  $V_{IO}$  range is 1.65 to  $V_{CC}$
- **Compatibility with JEDEC standards**
  - Provides pinout and software compatibility for single-power supply flash, and superior inadvertent write protection
- **100,000 erase cycles typical per sector**
- **20-year data retention typical**

### Performance Characteristics

- **High performance**
  - 70 ns access time
  - 8-word/16-byte page read buffer
  - 25 ns page read time

- 16-word/32-byte write buffer which reduces overall programming time for multiple-word updates

### ■ Low power consumption

- 25 mA typical active read current
- 50 mA typical erase/program current
- 10  $\mu$ A typical standby mode current

### ■ Package options

- 48-pin TSOP
- 56-pin TSOP
- 64-ball Fortified BGA
- 48-ball fine-pitch BGA

## Software & Hardware Features

### ■ Software features

- Advanced Sector Protection: offers Persistent Sector Protection and Password Sector Protection
- Program Suspend & Resume: read other sectors before programming operation is completed
- Erase Suspend & Resume: read/program other sectors before an erase operation is completed
- Data# polling & toggle bits provide status
- CFI (Common Flash Interface) compliant: allows host system to identify and accommodate multiple flash devices
- Unlock Bypass Program command reduces overall multiple-word programming time

### ■ Hardware features

- WP#/ACC input accelerates programming time (when high voltage is applied) for greater throughput during system production. Protects first or last sector regardless of sector protection settings on uniform sector models
- Hardware reset input (RESET#) resets device
- Ready/Busy# output (RY/BY#) detects program or erase cycle

## General Description

The S29GL-N family of devices are 3.0-Volt single-power Flash memory manufactured using 110 nm MirrorBit technology. The S29GL064N is a 64-Mb device organized as 4,194,304 words or 8,388,608 bytes. The S29GL032N is a 32-Mb device organized as 2,097,152 words or 4,194,304 bytes. Depending on the model number, the devices have 16-bit wide data bus only, or a 16-bit wide data bus that can also function as an 8-bit wide data bus by using the BYTE# input. The devices can be programmed either in the host system or in standard EPROM programmers.

Access times as fast as 70 ns are available. Note that each access time has a specific operating voltage range ( $V_{CC}$ ) as specified in the [Product Selector Guide](#) and the [Ordering Information–S29GL032N](#), and [Ordering Information–S29GL064N](#). Package offerings include 48-pin TSOP, 56-pin TSOP, 48-ball fine-pitch BGA and 64-ball Fortified BGA, depending on model number. Each device has separate chip enable (CE#), write enable (WE#) and output enable (OE#) controls.

Each device requires only a **single 3.0-Volt power supply** for both read and write functions. In addition to a  $V_{CC}$  input, a high-voltage **accelerated program (ACC)** feature provides shorter programming times through increased current on the WP#/ACC input. This feature is intended to facilitate factory throughput during system production, but may also be used in the field if desired.

The device is entirely command set compatible with the **JEDEC single-power-supply Flash standard**. Commands are written to the device using standard microprocessor write timing. Write cycles also internally latch addresses and data needed for the programming and erase operations.

The **sector erase architecture** allows memory sectors to be erased and reprogrammed without affecting the data contents of other sectors. The device is fully erased when shipped from the factory.

The **Advanced Sector Protection** features several levels of sector protection, which can disable both the program and erase operations in certain sectors. Persistent Sector Protection is a method that replaces the previous 12-volt controlled protection method. Password Sector Protection is a highly sophisticated protection method that requires a password before changes to certain sectors are permitted.

Device programming and erasure are initiated through command sequences. Once a program or erase operation begins, the host system need only poll the DQ7 (Data# Polling) or DQ6 (toggle) **status bits** or monitor the **Ready/Busy# (RY/BY#)** output to determine whether the operation is complete. To facilitate programming, an **Unlock Bypass** mode reduces command sequence overhead by requiring only two write cycles to program data instead of four.

**Hardware data protection** measures include a low  $V_{CC}$  detector that automatically inhibits write operations during power transitions. The hardware sector protection feature disables both program and erase operations in any combination of sectors of memory. This can be achieved in-system or via programming equipment.

The **Erase Suspend/Erase Resume** feature allows the host system to pause an erase operation in a given sector to read or program any other sector and then complete the erase operation. The **Program Suspend/Program Resume** feature enables the host system to pause a program operation in a given sector to read any other sector and then complete the program operation.

The **hardware RESET# pin** terminates any operation in progress and resets the device, after which it is then ready for a new operation. The RESET# pin may be tied to the system reset circuitry. A system reset would thus also reset the device, enabling the host system to read boot-up firmware from the Flash memory device.

The device reduces power consumption in the **standby mode** when it detects specific voltage levels on CE# and RESET#, or when addresses are stable for a specified period of time.

The **Write Protect (WP#)** feature protects the first or last sector by asserting a logic low on the WP#/ACC pin or WP# pin, depending on model number. The protected sector is still protected even during accelerated programming.

The **Secured Silicon Sector** provides a 128-word/256-byte area for code or data that can be permanently protected. Once this sector is protected, no further changes within the sector can occur.

Spansion MirrorBit flash technology combines years of Flash memory manufacturing experience to produce the highest levels of quality, reliability and cost effectiveness. The device electrically erases all bits within a sector simultaneously via hot-hole assisted erase. The data is programmed using hot electron injection.

## Table of Contents

<b>Distinctive Characteristics</b> .....	3
<b>General Description</b> .....	4
<b>1. Product Selector Guide</b> .....	9
<b>2. Block Diagram</b> .....	9
<b>3. Connection Diagrams</b> .....	10
<b>4. Pin Descriptions</b> .....	13
<b>5. Logic Symbols</b> .....	14
<b>6. Ordering Information–S29GL032N</b> .....	15
<b>7. Ordering Information–S29GL064N</b> .....	16
<b>8. Device Bus Operations</b> .....	16
8.1 Word/Byte Configuration .....	17
8.2 Requirements for Reading Array Data .....	17
8.3 Writing Commands/Command Sequences .....	18
8.4 Standby Mode .....	19
8.5 Automatic Sleep Mode .....	19
8.6 RESET#: Hardware Reset Pin .....	19
8.7 Output Disable Mode .....	19
8.8 Autoselect Mode .....	29
8.9 Sector Protection .....	29
8.10 Advanced Sector Protection .....	30
8.11 Lock Register .....	30
8.12 Persistent Sector Protection .....	31
8.13 Persistent Protection Mode Lock Bit .....	33
8.14 Password Sector Protection .....	33
8.15 Password and Password Protection Mode Lock Bit .....	33
8.16 64-bit Password .....	34
8.17 Persistent Protection Bit Lock (PPB Lock Bit) .....	34
8.18 Secured Silicon Sector Flash Memory Region .....	34
8.19 Write Protect (WP/ACC#) .....	35
8.20 Hardware Data Protection .....	35
<b>9. Common Flash Memory Interface (CFI)</b> .....	36
<b>10. Command Definitions</b> .....	40
10.1 Reading Array Data .....	40
10.2 Reset Command .....	40
10.3 Autoselect Command Sequence .....	41
10.4 Enter/Exit Secured Silicon Sector Command Sequence .....	41
10.5 Program Suspend/Program Resume Command Sequence .....	45
10.6 Chip Erase Command Sequence .....	46
10.7 Sector Erase Command Sequence .....	47
10.8 Erase Suspend/Erase Resume Commands .....	49
10.9 Command Definitions .....	50
10.10 Write Operation Status .....	54
10.11 DQ7: Data# Polling .....	54
10.12 RY/BY#: Ready/Busy# .....	55
10.13 DQ6: Toggle Bit I .....	56
10.14 DQ2: Toggle Bit II .....	57
10.15 Reading Toggle Bits DQ6/DQ2 .....	58
10.16 DQ5: Exceeded Timing Limits .....	58
10.17 DQ3: Sector Erase Timer .....	58
10.18 DQ1: Write-to-Buffer Abort .....	59
<b>11. Absolute Maximum Ratings</b> .....	60
<b>12. Operating Ranges</b> .....	60

<b>13. DC Characteristics</b> .....	61
<b>14. Test Conditions</b> .....	62
14.1 Key to Switching Waveforms .....	62
<b>15. AC Characteristics</b> .....	63
<b>16. Erase And Programming Performance.</b> .....	73
<b>17. Physical Dimensions</b> .....	74
17.1 TS048—48-Pin Standard Thin Small Outline Package (TSOP) .....	74
17.2 TS056—56-Pin Standard Thin Small Outline Package (TSOP) .....	75
17.3 VBK048—Ball Fine-pitch Ball Grid Array (BGA) 8.15x 6.15 mm Package .....	76
17.4 LAA064—64-Ball Fortified Ball Grid Array (BGA) 13 x 11 mm Package .....	77
<b>18. Revision History</b> .....	78

## Figures

Figure 3.1	48-Pin Standard TSOP	10
Figure 3.2	56-Pin Standard TSOP	10
Figure 3.3	64-ball Fortified BGA (LAA 064)	11
Figure 3.4	48-ball Fine-pitch BGA (VBK 048)	12
Figure 5.1	S29GL064N Logic Symbol (Models 01, 02, V1, V2)	14
Figure 5.2	S29GL064N Logic Symbol (Models 03, 04)	14
Figure 5.3	S29GL064N Logic Symbol (Models 06, 07, V6, V7)	14
Figure 5.4	S29GL032N Logic Symbol (Models 01, 02, V1, V2)	14
Figure 5.5	S29GL032N Logic Symbol (Models 03, 04)	14
Figure 10.1	Write Buffer Programming Operation	44
Figure 10.2	Program Operation	45
Figure 10.3	Program Suspend/Program Resume	46
Figure 10.4	Erase Operation	48
Figure 10.5	Data# Polling Algorithm	55
Figure 10.6	Toggle Bit Algorithm	57
Figure 11.1	Maximum Negative Overshoot Waveform	60
Figure 11.2	Maximum Positive Overshoot Waveform	60
Figure 14.1	Test Setup	62
Figure 14.2	Input Waveforms and Measurement Levels	62
Figure 15.1	V <sub>CC</sub> Power-up Diagram	63
Figure 15.2	Read Operation Timings	64
Figure 15.3	Page Read Timings	64
Figure 15.4	Reset Timings	65
Figure 15.5	Program Operation Timings	67
Figure 15.6	Accelerated Program Timing Diagram	67
Figure 15.7	Chip/Sector Erase Operation Timings	68
Figure 15.8	Data# Polling Timings (During Embedded Algorithms)	68
Figure 15.9	Toggle Bit Timings (During Embedded Algorithms)	69
Figure 15.10	DQ2 vs. DQ6	69
Figure 15.11	Temporary Sector Unprotect Timing Diagram	70
Figure 15.12	Sector Protect and Unprotect Timing Diagram	70
Figure 15.13	Alternate CE# Controlled Write (Erase/Program) Operation Timings	72

## Tables

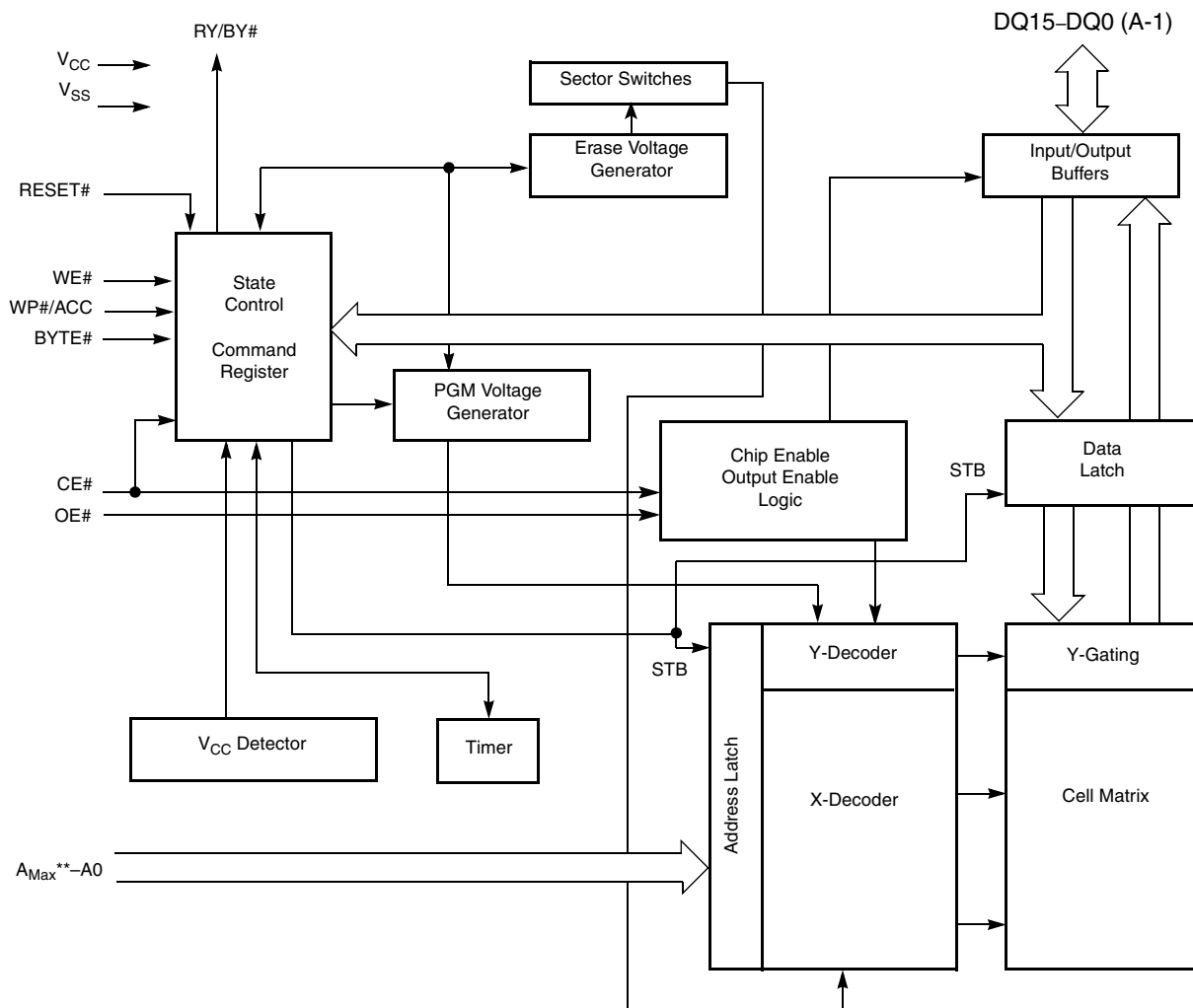
Table 6.1	S29GL032N Ordering Options (Note 4) .....	15
Table 7.1	S29GL064N Valid Combinations (Note 4) .....	16
Table 8.1	Device Bus Operations .....	17
Table 8.2	S29GL032N (Models 01, 02, V1, V2) Sector Addresses .....	20
Table 8.3	S29GL032N (Model 03) Top Boot Sector Addresses .....	21
Table 8.4	S29GL032N (Model 04) Bottom Boot Sector Addresses .....	22
Table 8.5	S29GL064N (Models 01, 02, V1, V2) Sector Addresses .....	23
Table 8.6	S29GL064N (Model 03) Top Boot Sector Addresses .....	24
Table 8.7	S29GL064N (Model 04) Bottom Boot Sector Addresses .....	26
Table 8.8	S29GL064N (Models 06, 07, V6, V7) Sector Addresses .....	27
Table 8.9	Autoselect Codes, (High Voltage Method) .....	29
Table 8.10	Lock Register .....	31
Table 8.11	Sector Protection Schemes .....	32
Table 9.1	CFI Query Identification String .....	36
Table 9.2	System Interface String .....	37
Table 9.3	Device Geometry Definition .....	38
Table 9.4	Primary Vendor-Specific Extended Query .....	39
Table 10.1	Command Definitions (x16 Mode, BYTE# = V <sub>IH</sub> ) .....	50
Table 10.2	Sector Protection Commands (x16) .....	51
Table 10.3	Command Definitions (x8 Mode, BYTE# = V <sub>IL</sub> ) .....	52
Table 10.4	Sector Protection Commands (x8) .....	53
Table 10.5	Write Operation Status .....	59
Table 13.1	DC Characteristics, CMOS Compatible .....	61
Table 14.1	Test Specifications .....	62
Table 15.1	Read-Only Operations .....	63
Table 15.2	Hardware Reset (RESET#) .....	65
Table 15.3	Erase and Program Operations .....	66
Table 15.4	Alternate CE# Controlled Erase and Program Operations .....	71
Table 16.1	TSOP Pin and BGA Package Capacitance .....	73



# 1. Product Selector Guide

Part Number		S29GL064N			S29GL032N			
Speed Option	$V_{CC} = 2.7-3.6\text{ V}$	$V_{IO} = 2.7-3.6\text{ V}$	70	90		70	90	
		$V_{IO} = 1.65-3.6\text{ V}$			110			110
Max. Access Time (ns)			70	90	110	70	90	110
Max. CE# Access Time (ns)			70	90	110	70	90	110
Max. Page Access Time (ns)			25	25	30	25	25	30
Max. OE# Access Time (ns)			25	25	30	25	25	30

# 2. Block Diagram



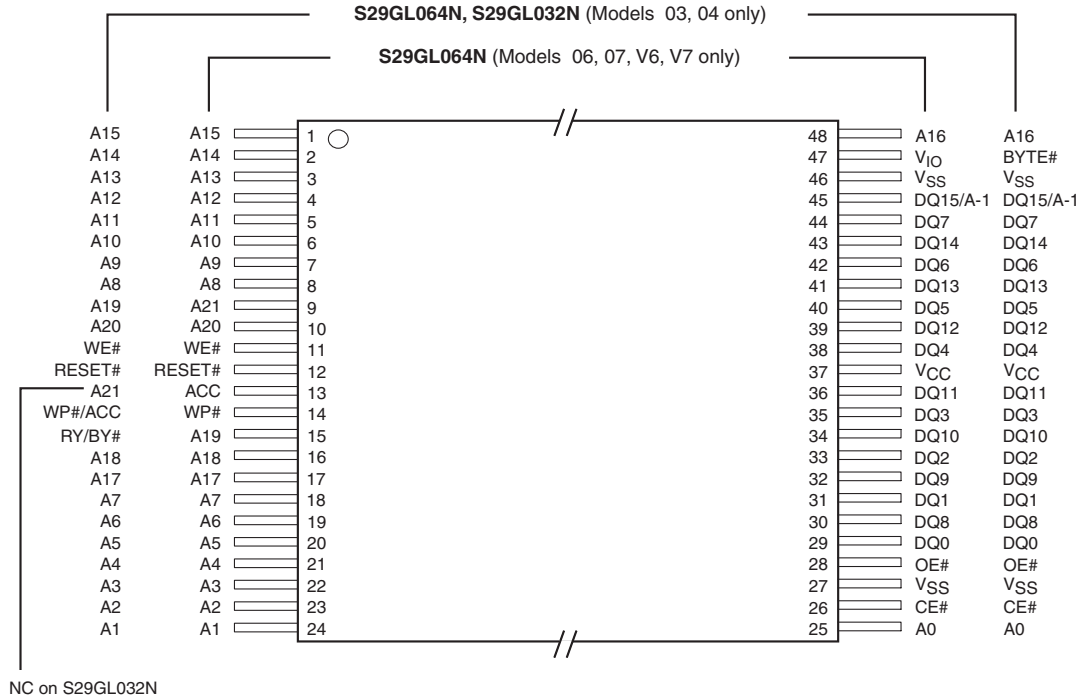
**Note**  
**\*\*A<sub>MAX</sub>** GL064N = A21, GL032N = A20.

### 3. Connection Diagrams

#### Special Package Handling Instructions

Special handling is required for Flash Memory products in molded packages (TSOP and BGA). The package and/or data integrity may be compromised if the package body is exposed to temperatures above 150°C for prolonged periods of time.

**Figure 3.1** 48-Pin Standard TSOP



**Figure 3.2** 56-Pin Standard TSOP

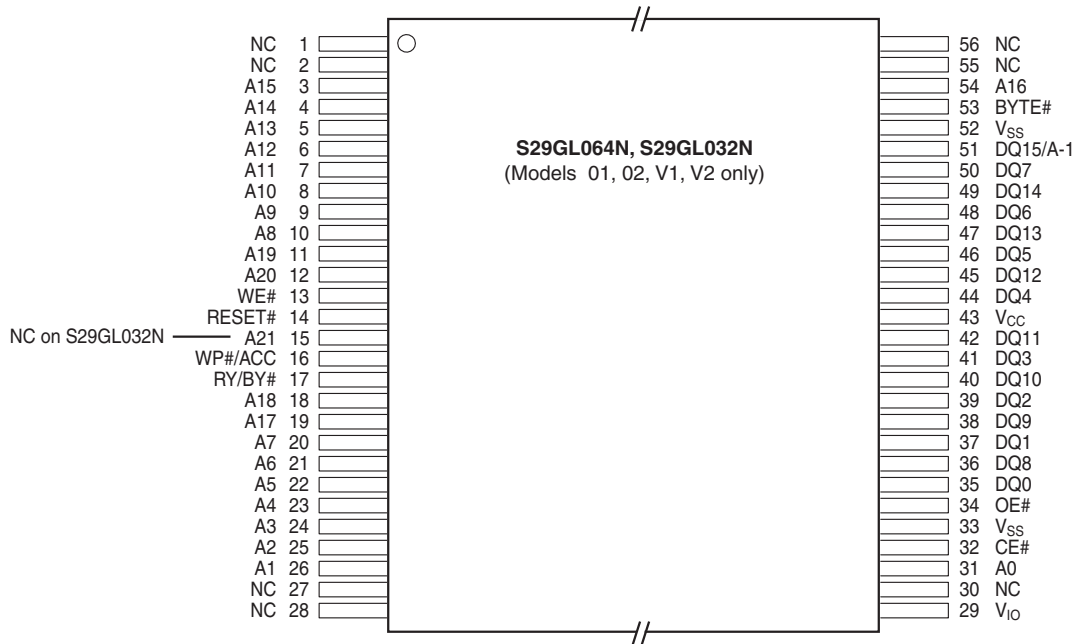


Figure 3.3 64-ball Fortified BGA (LAA 064)

S29GL064N, S29GL032N (Models 01, 02, 03, 04, V1, V2 only)  
Top View, Balls Facing Down

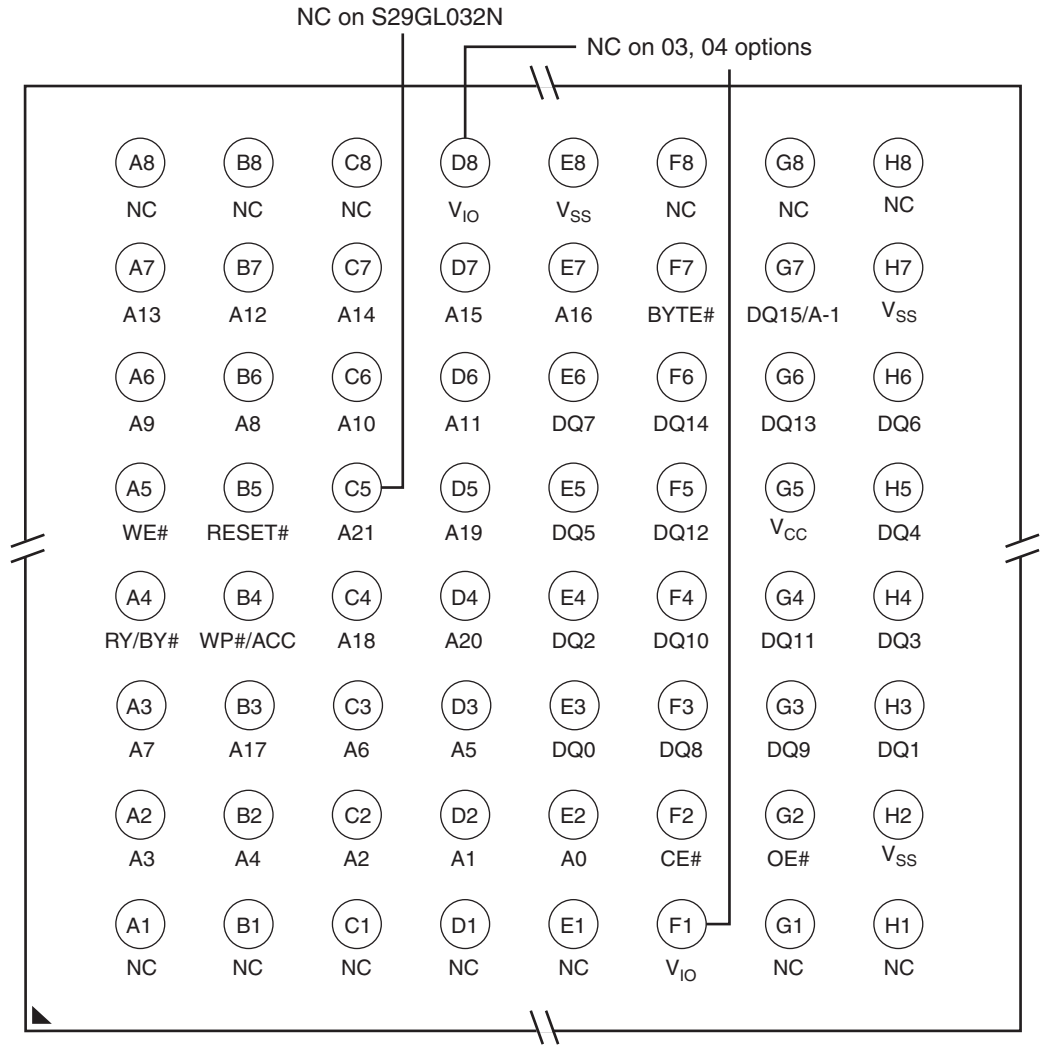
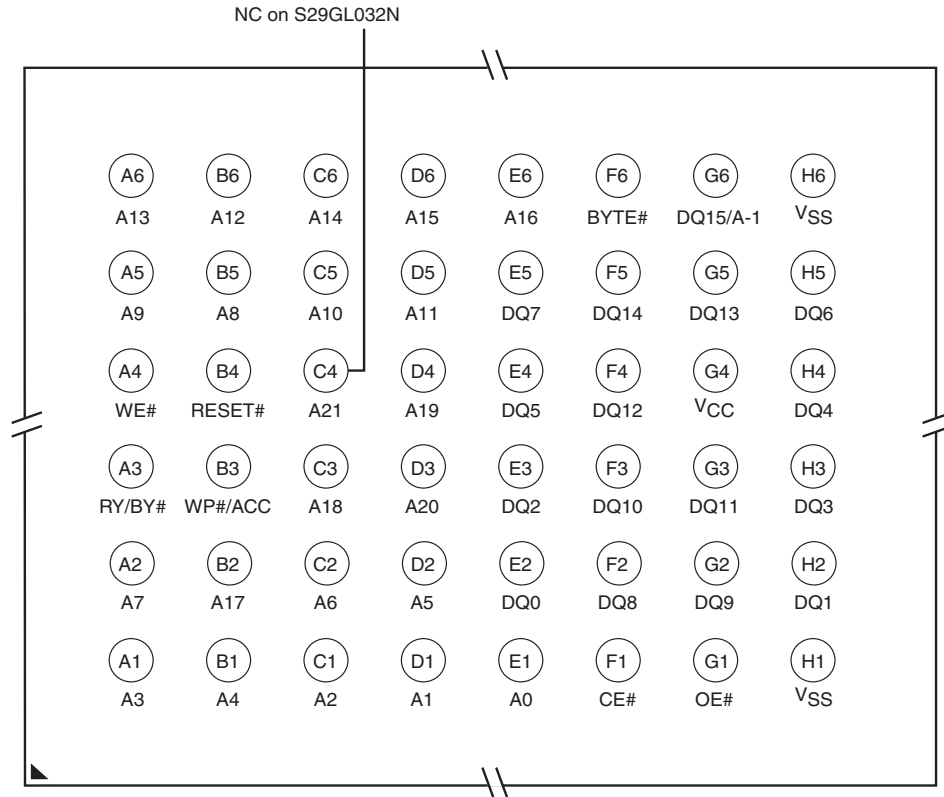


Figure 3.4 48-ball Fine-pitch BGA (VBK 048)

S29GL064N, S29GL032N (Models 03, 04 only)  
Top View, Balls Facing Down

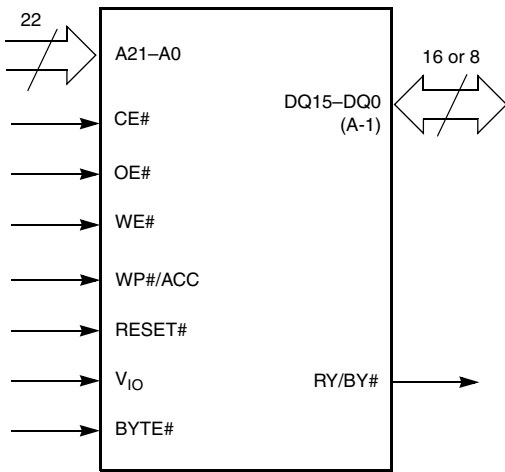


## 4. Pin Descriptions

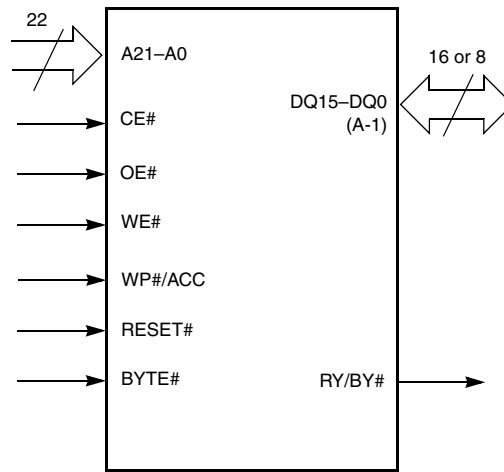
Pin	Description
A21–A0	22 Address inputs (S29GL064N)
A20–A0	21 Address inputs (S29GL032N)
DQ7–DQ0	8 Data inputs/outputs
DQ14–DQ0	15 Data inputs/outputs
DQ15/A-1	DQ15 (Data input/output, word mode), A-1 (LSB Address input, byte mode)
CE#	Chip Enable input
OE#	Output Enable input
WE#	Write Enable input
WP#/ACC	Hardware Write Protect input/Programming Acceleration input
ACC	Acceleration input
WP#	Hardware Write Protect input
RESET#	Hardware Reset Pin input
RY/BY#	Ready/Busy output
BYTE#	Selects 8-bit or 16-bit mode
V <sub>CC</sub>	3.0 volt-only single power supply (see <a href="#">Product Selector Guide</a> for speed options and voltage supply tolerances)
V <sub>IO</sub>	Output Buffer Power
V <sub>SS</sub>	Device Ground
NC	Pin Not Connected Internally

## 5. Logic Symbols

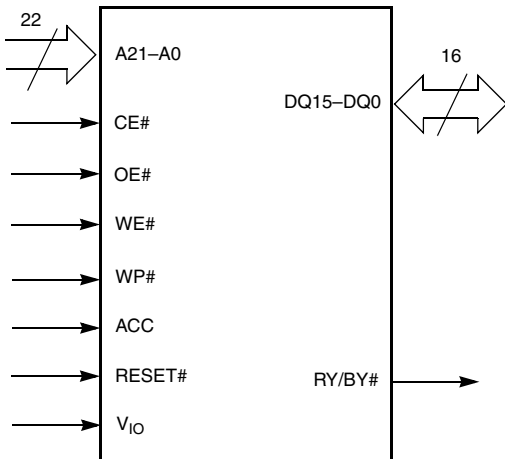
**Figure 5.1** S29GL064N Logic Symbol  
(Models 01, 02, V1, V2)



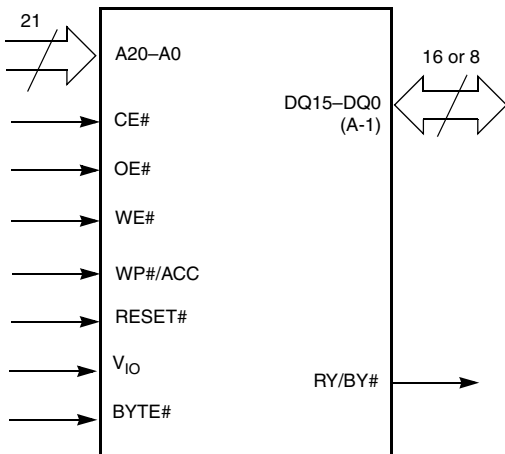
**Figure 5.2** S29GL064N Logic Symbol  
(Models 03, 04)



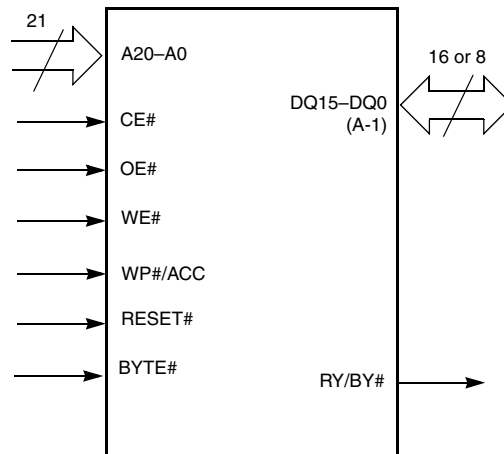
**Figure 5.3** S29GL064N Logic Symbol  
(Models 06, 07, V6, V7)



**Figure 5.4** S29GL032N Logic Symbol  
(Models 01, 02, V1, V2)



**Figure 5.5** S29GL032N Logic Symbol  
(Models 03, 04)



## 6. Ordering Information—S29GL032N

### S29GL032N Standard Products

Standard products are available in several packages and operating ranges. The order number (Valid Combination) is formed by a combination of the following:

S29GL032N	70	T	A	I	01	0
<b>PACKING TYPE</b>						
0 = Tray						
2 = 7-inch Tape and Reel						
3 = 13-inch Tape and Reel						
<b>MODEL NUMBER</b>						
01 = x8/x16, $V_{CC} = V_{IO} = 2.7 - 3.6$ V, Uniform sector, WP#/ACC = $V_{IL}$ protects highest addressed sector						
02 = x8/x16, $V_{CC} = V_{IO} = 2.7 - 3.6$ V, Uniform sector, WP#/ACC = $V_{IL}$ protects lowest addressed sector						
03 = x8/x16, $V_{CC} = 2.7 - 3.6$ V, Top boot sector, WP#/ACC = $V_{IL}$ protects top two addressed sectors						
04 = x8/x16, $V_{CC} = 2.7 - 3.6$ V, Bottom boot sector, WP#/ACC = $V_{IL}$ protects bottom two addressed sectors						
V1 = x8/x16, $V_{CC} = 2.7 - 3.6$ V, $V_{IO} = 1.65 - 3.6$ V, Uniform sector, WP#/ACC = $V_{IL}$ protects highest addressed sector						
V2 = x8/x16, $V_{CC} = 2.7 - 3.6$ V, $V_{IO} = 1.65 - 3.6$ V, Uniform sector, WP#/ACC = $V_{IL}$ protects lowest addressed sector						
<b>TEMPERATURE RANGE</b>						
I = Industrial ( $-40^{\circ}\text{C}$ to $+85^{\circ}\text{C}$ )						
<b>PACKAGE MATERIAL SET</b>						
A = Standard (Note 4)						
F = Pb-Free						
<b>PACKAGE TYPE</b>						
T = Thin Small Outline Package (TSOP) Standard Pinout						
B = Fine-pitch Ball-Grid Array Package						
F = Fortified Ball-Grid Array Package						
<b>SPEED OPTION</b>						
See Product Selector Guide and Valid Combinations (70 = 70 ns, 90 = 90 ns, 11 = 110 ns)						
<b>DEVICE NUMBER/DESCRIPTION</b>						
S29GL032N						
32 Megabit Page-Mode Flash Memory						
Manufactured using 110 nm MirrorBit® Process Technology, 3.0 Volt-only Read, Program, and Erase						

Table 6.1 S29GL032N Ordering Options (Note 4)

S29GL032N Valid Combinations					Package Description (Notes)	
Device Number	Speed Option	Package, Material, & Temperature Range	Model Number	Packing Type		
S29GL032N	70, 90	TAI, TFI	01, 02	0,2,3 (Note 1)	TS056 (Note 2)	TSOP
	11		V1, V2			
	70, 90	FAI, FFI	01, 02		LAA064 (Note 3)	Fortified BGA
	11		V1, V2			
	70, 90	TAI, TFI	03, 04		TS048 (Note 2)	TSOP
		BAI, BFI			VBK048 (Note 3)	Fine-Pitch BGA
		FAI, FFI			LAA064 (Note 3)	Fortified BGA

#### Notes

- Type 0 is standard. Specify others as required: TSOPs can be packed in Types 0 and 3; BGAs can be packed in Types 0, 2, or 3.
- TSOP package marking omits packing type designator from ordering part number.
- BGA package marking omits leading S29 and packing type designator from ordering part number.
- Contact local sales for availability for (a) 70 ns options and (b) Leaded lead-frame parts.

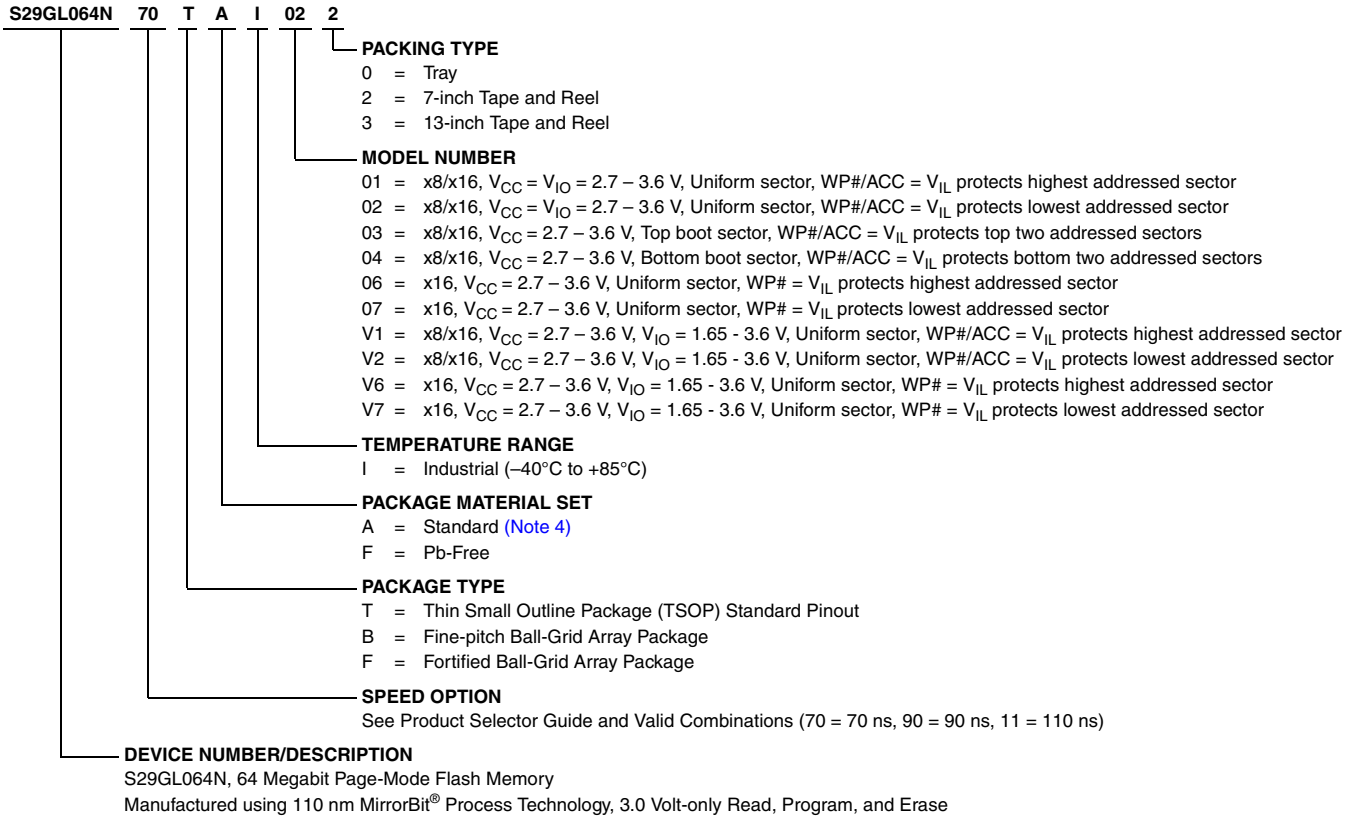
#### Valid Combinations

Valid Combinations list configurations planned to be supported in volume for this device. Consult your local sales office to confirm availability of specific valid combinations and to check on newly released combinations.

## 7. Ordering Information—S29GL064N

### S29GL064N Standard Products

Standard products are available in several packages and operating ranges. The order number (Valid Combination) is formed by a combination of the following:



**Table 7.1** S29GL064N Valid Combinations (Note 4)

S29GL064N Valid Combinations					Package Description		
Device Number	Speed Option	Package, Material & Temperature Range	Model Number	Packing Type			
S29GL064N	70, 90	TAI, TFI	03, 04, 06, 07	0, 2, 3 (Note 1)	TS048 (Note 2)	TSOP	
	11		V6, V7				
	70, 90		01, 02		TS056 (Note 2)	TSOP	
	11		V1, V2				
	70, 90	BAI, BFI	03, 04			VBK048 (Note 3)	Fine-pitch BGA
	70, 90	FAI, FFI	01, 02, 03, 04				
	11		V1, V2			LAA064 (Note 3)	Fortified BGA

**Notes**

- Type 0 is standard. Specify others as required: TSOPs can be packed in Types 0 and 3; BGAs can be packed in Types 0, 2, or 3.
- TSOP package marking omits packing type designator from ordering part number.
- BGA package marking omits leading S29 and packing type designator from ordering part number.
- Contact local sales for availability for (a) 70 ns options and (b) Leaded lead-frame parts.

**Valid Combinations**

Valid Combinations list configurations planned to be supported in volume for this device. Consult your local sales office to confirm availability of specific valid combinations and to check on newly released combinations.

## 8. Device Bus Operations

This section describes the requirements and use of the device bus operations, which are initiated through the internal command register. The command register itself does not occupy any addressable memory location. The register is a latch used to store the commands, along with the address and data information needed to



execute the command. The contents of the register serve as inputs to the internal state machine. The state machine outputs dictate the function of the device. [Table 8.1](#) lists the device bus operations, the inputs and control levels they require, and the resulting output. The following subsections describe each of these operations in further detail.

**Table 8.1** Device Bus Operations

Operation	CE#	OE#	WE#	RESET#	WP#	ACC	Addresses	DQ0–DQ7	DQ8–DQ15	
									BYTE# = V <sub>IH</sub>	BYTE# = V <sub>IL</sub>
Read	L	L	H	H	X	X	A <sub>IN</sub>	D <sub>OUT</sub>	D <sub>OUT</sub>	DQ8–DQ14 = High-Z, DQ15 = A-1
Write (Program/Erase)	L	H	L	H	(Note 1)	X	A <sub>IN</sub>	(Note 2)	(Note 2)	
Accelerated Program	L	H	L	H	(Note 1)	V <sub>HH</sub>	A <sub>IN</sub>	(Note 2)	(Note 2)	
Standby	V <sub>CC</sub> ± 0.3V	X	X	V <sub>CC</sub> ± 0.3V	X	H	X	High-Z	High-Z	High-Z
Output Disable	L	H	H	H	X	X	X	High-Z	High-Z	High-Z
Reset	X	X	X	L	X	X	X	High-Z	High-Z	High-Z

**Legend**

L = Logic Low = V<sub>IL</sub>  
H = Logic High = V<sub>IH</sub>  
V<sub>ID</sub> = 11.5–12.5 V  
V<sub>HH</sub> = 11.5–12.5 V  
X = Don't Care  
SA = Sector Address  
A<sub>IN</sub> = Address In  
D<sub>IN</sub> = Data In  
D<sub>OUT</sub> = Data Out

**Notes**

1. If WP# = V<sub>IL</sub>, the first or last sector remains protected (for uniform sector devices), and the two outer boot sectors are protected (for boot sector devices). If WP# = V<sub>IH</sub>, the first or last sector, or the two outer boot sectors are protected or unprotected as determined by the method described in Write Protect (WP#). All sectors are unprotected when shipped from the factory (The Secured Silicon Sector may be factory protected depending on version ordered.)
2. D<sub>IN</sub> or D<sub>OUT</sub> as required by command sequence, data polling, or sector protect algorithm (see [Figure 10.5 on page 55](#)).

## 8.1 Word/Byte Configuration

The BYTE# pin controls whether the device data I/O pins operate in the byte or word configuration. If the BYTE# pin is set at logic 1, the device is in word configuration, DQ0–DQ15 are active and controlled by CE# and OE#.

If the BYTE# pin is set at logic 0, the device is in byte configuration, and only data I/O pins DQ0–DQ7 are active and controlled by CE# and OE#. The data I/O pins DQ8–DQ14 are tri-stated, and the DQ15 pin is used as an input for the LSB (A-1) address function.

## 8.2 Requirements for Reading Array Data

To read array data from the outputs, the system must drive the CE# and OE# pins to V<sub>IL</sub>. CE# is the power control and selects the device. OE# is the output control and gates array data to the output pins. WE# should remain at V<sub>IH</sub>.

The internal state machine is set for reading array data upon device power-up, or after a hardware reset. This ensures that no spurious alteration of the memory content occurs during the power transition. No command is necessary in this mode to obtain array data. Standard microprocessor read cycles that assert valid addresses on the device address inputs produce valid data on the device data outputs. The device remains enabled for read access until the command register contents are altered.

See [Reading Array Data on page 40](#) for more information. Refer to the AC Read-Only Operations table for timing specifications and the timing diagram. Refer to the DC Characteristics table for the active current specification on reading array data.

## 8.2.1 Page Mode Read

The device is capable of fast page mode read and is compatible with the page mode Mask ROM read operation. This mode provides faster read access speed for random locations within a page. The page size of the device is 8 words/16 bytes. The appropriate page is selected by the higher address bits A(max)–A3. Address bits A2–A0 in word mode (A2–A-1 in byte mode) determine the specific word within a page. This is an asynchronous operation; the microprocessor supplies the specific word location.

The random or initial page access is equal to  $t_{ACC}$  or  $t_{CE}$  and subsequent page read accesses (as long as the locations specified by the microprocessor falls within that page) is equivalent to  $t_{PACC}$ . When CE# is deasserted and reasserted for a subsequent access, the access time is  $t_{ACC}$  or  $t_{CE}$ . Fast page mode accesses are obtained by keeping the *read-page addresses* constant and changing the *intra-read page addresses*.

## 8.3 Writing Commands/Command Sequences

To write a command or command sequence (which includes programming data to the device and erasing sectors of memory), the system must drive WE# and CE# to  $V_{IL}$ , and OE# to  $V_{IH}$ .

The device features an **Unlock Bypass** mode to facilitate faster programming. Once the device enters the Unlock Bypass mode, only two write cycles are required to program a word, instead of four. The [Word Program Command Sequence on page 41](#) contains details on programming data to the device using both standard and Unlock Bypass command sequences.

An erase operation can erase one sector, multiple sectors, or the entire device. Tables 8.2 – 8.8 indicate the address space that each sector occupies.

Refer to the DC Characteristics table for the active current specification for the write mode. The AC Characteristics section contains timing specification tables and timing diagrams for write operations.

### 8.3.1 Write Buffer

Write Buffer Programming allows the system write to a maximum of 16 words/32 bytes in one programming operation. This results in faster effective programming time than the standard programming algorithms.

### 8.3.2 Accelerated Program Operation

The device offers accelerated program operations through the ACC function. This is one of two functions provided by the WP#/ACC or ACC pin, depending on model number. This function is primarily intended to allow faster manufacturing throughput at the factory.

If the system asserts  $V_{HH}$  on this pin, the device automatically enters the aforementioned Unlock Bypass mode, temporarily unprotects any protected sectors, and uses the higher voltage on the pin to reduce the time required for program operations. The system would use a two-cycle program command sequence as required by the Unlock Bypass mode. Removing  $V_{HH}$  from the WP#/ACC or ACC pin, depending on model number, returns the device to normal operation. *Note that the WP#/ACC or ACC pin must not be at  $V_{HH}$  for operations other than accelerated programming, or device damage may result. WP# contains an internal pullup; when unconnected, WP# is at  $V_{IH}$ .*

### 8.3.3 Autoselect Functions

If the system writes the autoselect command sequence, the device enters the autoselect mode. The system can then read autoselect codes from the internal register (which is separate from the memory array) on DQ7–DQ0. Standard read cycle timings apply in this mode. Refer to [Autoselect Mode on page 29](#) and [Autoselect Command Sequence on page 41](#) for more information.

## 8.4 Standby Mode

When the system is not reading or writing to the device, it can place the device in the standby mode. In this mode, current consumption is greatly reduced, and the outputs are placed in the high impedance state, independent of the OE# input.

The device enters the CMOS standby mode when the CE# and RESET# pins are both held at  $V_{IO} \pm 0.3$  V. (Note that this is a more restricted voltage range than  $V_{IH}$ .) If CE# and RESET# are held at  $V_{IH}$ , but not within  $V_{IO} \pm 0.3$  V, the device is in the standby mode, but the standby current is greater. The device requires standard access time ( $t_{CE}$ ) for read access when the device is in either of these standby modes, before it is ready to read data.

If the device is deselected during erasure or programming, the device draws active current until the operation is completed.

Refer to the [DC Characteristics on page 61](#) for the standby current specification.

## 8.5 Automatic Sleep Mode

The automatic sleep mode minimizes Flash device energy consumption. The device automatically enables this mode when addresses remain stable for  $t_{ACC} + 30$  ns. The automatic sleep mode is independent of the CE#, WE#, and OE# control signals. Standard address access timings provide new data when addresses are changed. While in sleep mode, output data is latched and always available to the system. Refer to the [DC Characteristics on page 61](#) for the automatic sleep mode current specification.

## 8.6 RESET#: Hardware Reset Pin

The RESET# pin provides a hardware method of resetting the device to reading array data. When the RESET# pin is driven low for at least a period of  $t_{RP}$ , the device immediately terminates any operation in progress, Hi-Z all output pins, and ignores all read/write commands for the duration of the RESET# pulse. The device also resets the internal state machine to reading array data. The operation that was interrupted should be reinitiated once the device is ready to accept another command sequence, to ensure data integrity.

Current is reduced for the duration of the RESET# pulse. When RESET# is held at  $V_{SS} \pm 0.3$  V, the device draws CMOS standby current ( $I_{CC5}$ ). If RESET# is held at  $V_{IL}$  but not within  $V_{SS} \pm 0.3$  V, the standby current is greater.

The RESET# pin may be tied to the system reset circuitry. A system reset would thus also reset the Flash memory, enabling the system to read the boot-up firmware from the Flash memory.

Refer to the AC Characteristics tables for RESET# parameters and to [Figure 15.4 on page 65](#) for the timing diagram.

## 8.7 Output Disable Mode

When the OE# input is at  $V_{IH}$ , output from the device is disabled. The output pins are placed in the high impedance state.

**Table 8.2** S29GL032N (Models 01, 02, V1, V2) Sector Addresses

Sector	A20-A15	Sector Size (KB/Kwords)	8-bit Address Range	16-bit Address Range	Sector	A20-A15	Sector Size (KB/Kwords)	8-bit Address Range	16-bit Address Range
SA0	000000	64/32	000000h-00FFFFh	000000h-007FFFh	SA32	100000	64/32	200000h-20FFFFh	100000h-107FFFh
SA1	000001	64/32	010000h-01FFFFh	008000h-00FFFFh	SA33	100001	64/32	210000h-21FFFFh	108000h-10FFFFh
SA2	000010	64/32	020000h-02FFFFh	010000h-017FFFh	SA34	100010	64/32	220000h-22FFFFh	110000h-117FFFh
SA3	000011	64/32	030000h-03FFFFh	018000h-01FFFFh	SA35	100011	64/32	230000h-23FFFFh	118000h-11FFFFh
SA4	000100	64/32	040000h-04FFFFh	020000h-027FFFh	SA36	100100	64/32	240000h-24FFFFh	120000h-127FFFh
SA5	000101	64/32	050000h-05FFFFh	028000h-02FFFFh	SA37	100101	64/32	250000h-25FFFFh	128000h-12FFFFh
SA6	000110	64/32	060000h-06FFFFh	030000h-037FFFh	SA38	100110	64/32	260000h-26FFFFh	130000h-137FFFh
SA7	000111	64/32	070000h-07FFFFh	038000h-03FFFFh	SA39	100111	64/32	270000h-27FFFFh	138000h-13FFFFh
SA8	001000	64/32	080000h-08FFFFh	040000h-047FFFh	SA40	101000	64/32	280000h-28FFFFh	140000h-147FFFh
SA9	001001	64/32	090000h-09FFFFh	048000h-04FFFFh	SA41	101001	64/32	290000h-29FFFFh	148000h-14FFFFh
SA10	001010	64/32	0A0000h-0AFFFFh	050000h-057FFFh	SA42	101010	64/32	2A0000h-2AFFFFh	150000h-157FFFh
SA11	001011	64/32	0B0000h-0BFFFFh	058000h-05FFFFh	SA43	101011	64/32	2B0000h-2BFFFFh	158000h-15FFFFh
SA12	001100	64/32	0C0000h-0CFFFFh	060000h-067FFFh	SA44	101100	64/32	2C0000h-2CFFFFh	160000h-167FFFh
SA13	001101	64/32	0D0000h-0DFFFFh	068000h-06FFFFh	SA45	101101	64/32	2D0000h-2DFFFFh	168000h-16FFFFh
SA14	001110	64/32	0E0000h-0EFFFFh	070000h-077FFFh	SA46	101110	64/32	2E0000h-2EFFFFh	170000h-177FFFh
SA15	001111	64/32	0F0000h-0FFFFFh	078000h-07FFFFh	SA47	101111	64/32	2F0000h-2FFFFFh	178000h-17FFFFh
SA16	010000	64/32	100000h-10FFFFh	080000h-087FFFh	SA48	110000	64/32	300000h-30FFFFh	180000h-187FFFh
SA17	010001	64/32	110000h-11FFFFh	088000h-08FFFFh	SA49	110001	64/32	310000h-31FFFFh	188000h-18FFFFh
SA18	010010	64/32	120000h-12FFFFh	090000h-097FFFh	SA50	110010	64/32	320000h-32FFFFh	190000h-197FFFh
SA19	010011	64/32	130000h-13FFFFh	098000h-09FFFFh	SA51	110011	64/32	330000h-33FFFFh	198000h-19FFFFh
SA20	010100	64/32	140000h-14FFFFh	0A0000h-0A7FFFh	SA52	110100	64/32	340000h-34FFFFh	1A0000h-1A7FFFh
SA21	010101	64/32	150000h-15FFFFh	0A8000h-0AFFFFh	SA53	110101	64/32	350000h-35FFFFh	1A8000h-1AFFFFh
SA22	010110	64/32	160000h-16FFFFh	0B0000h-0B7FFFh	SA54	110110	64/32	360000h-36FFFFh	1B0000h-1B7FFFh
SA23	010111	64/32	170000h-17FFFFh	0B8000h-0BFFFFh	SA55	110111	64/32	370000h-37FFFFh	1B8000h-1BFFFFh
SA24	011000	64/32	180000h-18FFFFh	0C0000h-0C7FFFh	SA56	111000	64/32	380000h-38FFFFh	1C0000h-1C7FFFh
SA25	011001	64/32	190000h-19FFFFh	0C8000h-0CFFFFh	SA57	111001	64/32	390000h-39FFFFh	1C8000h-1CFFFFh
SA26	011010	64/32	1A0000h-1AFFFFh	0D0000h-0D7FFFh	SA58	111010	64/32	3A0000h-3AFFFFh	1D0000h-1D7FFFh
SA27	011011	64/32	1B0000h-1BFFFFh	0D8000h-0DFFFFh	SA59	111011	64/32	3B0000h-3BFFFFh	1D8000h-1DFFFFh
SA28	011100	64/32	1C0000h-1CFFFFh	0E0000h-0E7FFFh	SA60	111100	64/32	3C0000h-3CFFFFh	1E0000h-1E7FFFh
SA29	011101	64/32	1D0000h-1DFFFFh	0E8000h-0EFFFFh	SA61	111101	64/32	3D0000h-3DFFFFh	1E8000h-1EFFFFh
SA30	011110	64/32	1E0000h-1EFFFFh	0F0000h-0F7FFFh	SA62	111110	64/32	3E0000h-3EFFFFh	1F0000h-1F7FFFh
SA31	011111	64/32	1F0000h-1FFFFFh	0F8000h-0FFFFFh	SA63	111111	64/32	3F0000h-3FFFFFh	1F8000h-1FFFFFh

Table 8.3 S29GL032N (Model 03) Top Boot Sector Addresses

Sector	A20–A12	Sector Size (KB/Kwords)	8-bit Address Range	16-bit Address Range	Sector	A20–A12	Sector Size (KB/Kwords)	8-bit Address Range	16-bit Address Range
SA0	00000xxx	64/32	00000h–00FFFFh	0000h–07FFFh	SA36	100100xxx	64/32	24000h–24FFFFh	12000h–127FFFh
SA1	00001xxx	64/32	01000h–01FFFFh	0800h–0FFFFh	SA37	100101xxx	64/32	25000h–25FFFFh	12800h–12FFFFh
SA2	000010xxx	64/32	02000h–02FFFFh	1000h–17FFFh	SA38	100110xxx	64/32	26000h–26FFFFh	13000h–137FFFh
SA3	000011xxx	64/32	03000h–03FFFFh	1800h–1FFFFh	SA39	100111xxx	64/32	27000h–27FFFFh	13800h–13FFFFh
SA4	000100xxx	64/32	04000h–04FFFFh	2000h–27FFFh	SA40	101000xxx	64/32	28000h–28FFFFh	14000h–147FFFh
SA5	000101xxx	64/32	05000h–05FFFFh	2800h–2FFFFh	SA41	101001xxx	64/32	29000h–29FFFFh	14800h–14FFFFh
SA6	000110xxx	64/32	06000h–06FFFFh	3000h–37FFFh	SA42	101010xxx	64/32	2A000h–2AFFFFh	15000h–157FFFh
SA7	000111xxx	64/32	07000h–07FFFFh	3800h–3FFFFh	SA43	101011xxx	64/32	2B000h–2BFFFFh	15800h–15FFFFh
SA8	001000xxx	64/32	08000h–08FFFFh	4000h–47FFFh	SA44	101100xxx	64/32	2C000h–2CFFFFh	16000h–167FFFh
SA9	001001xxx	64/32	09000h–09FFFFh	4800h–4FFFFh	SA45	101101xxx	64/32	2D000h–2DFFFFh	16800h–16FFFFh
SA10	001010xxx	64/32	0A000h–0AFFFFh	5000h–57FFFh	SA46	101110xxx	64/32	2E000h–2EFFFFh	17000h–177FFFh
SA11	001011xxx	64/32	0B000h–0BFFFFh	5800h–5FFFFh	SA47	101111xxx	64/32	2F000h–2FFFFh	17800h–17FFFFh
SA12	001100xxx	64/32	0C000h–0CFFFFh	6000h–67FFFh	SA48	110000xxx	64/32	30000h–30FFFFh	18000h–187FFFh
SA13	001101xxx	64/32	0D000h–0DFFFFh	6800h–6FFFFh	SA49	110001xxx	64/32	31000h–31FFFFh	18800h–18FFFFh
SA14	001110xxx	64/32	0E000h–0EFFFFh	7000h–77FFFh	SA50	110010xxx	64/32	32000h–32FFFFh	19000h–197FFFh
SA15	001111xxx	64/32	0F000h–0FFFFh	7800h–7FFFFh	SA51	110011xxx	64/32	33000h–33FFFFh	19800h–19FFFFh
SA16	010000xxx	64/32	10000h–10FFFFh	8000h–87FFFh	SA52	100100xxx	64/32	34000h–34FFFFh	1A000h–1A7FFFh
SA17	010001xxx	64/32	11000h–11FFFFh	8800h–8FFFFh	SA53	110101xxx	64/32	35000h–35FFFFh	1A800h–1AFFFFh
SA18	010010xxx	64/32	12000h–12FFFFh	9000h–97FFFh	SA54	110110xxx	64/32	36000h–36FFFFh	1B000h–1B7FFFh
SA19	010011xxx	64/32	13000h–13FFFFh	9800h–9FFFFh	SA55	110111xxx	64/32	37000h–37FFFFh	1B800h–1BFFFFh
SA20	010100xxx	64/32	14000h–14FFFFh	A000h–A7FFFh	SA56	111000xxx	64/32	38000h–38FFFFh	1C000h–1C7FFFh
SA21	010101xxx	64/32	15000h–15FFFFh	A800h–AFFFFh	SA57	111001xxx	64/32	39000h–39FFFFh	1C800h–1CFFFFh
SA22	010110xxx	64/32	16000h–16FFFFh	B000h–B7FFFh	SA58	111010xxx	64/32	3A000h–3AFFFFh	1D000h–1D7FFFh
SA23	010111xxx	64/32	17000h–17FFFFh	B800h–BFFFFh	SA59	111011xxx	64/32	3B000h–3BFFFFh	1D800h–1DFFFFh
SA24	011000xxx	64/32	18000h–18FFFFh	C000h–C7FFFh	SA60	111100xxx	64/32	3C000h–3CFFFFh	1E000h–1E7FFFh
SA25	011001xxx	64/32	19000h–19FFFFh	C800h–CFFFFh	SA61	111101xxx	64/32	3D000h–3DFFFFh	1E800h–1EFFFFh
SA26	011010xxx	64/32	1A000h–1AFFFFh	D000h–D7FFFh	SA62	111110xxx	64/32	3E000h–3EFFFFh	1F000h–1F7FFFh
SA27	011011xxx	64/32	1B000h–1BFFFFh	D800h–DFFFFh	SA63	111111000	8/4	3F000h–3F1FFFh	1F800h–1F8FFFh
SA28	011100xxx	64/32	1C000h–1CFFFFh	E000h–E7FFFh	SA64	111111001	8/4	3F200h–3F3FFFh	1F900h–1F9FFFh
SA29	011101xxx	64/32	1D000h–1DFFFFh	E800h–EFFFFh	SA65	111111010	8/4	3F400h–3F5FFFh	1FA00h–1FAFFFh
SA30	011110xxx	64/32	1E000h–1EFFFFh	F000h–F7FFFh	SA66	111111011	8/4	3F600h–3F7FFFh	1FB00h–1FBFFFh
SA31	011111xxx	64/32	1F000h–1FFFFh	F800h–FFFFh	SA67	111111100	8/4	3F800h–3F9FFFh	1FC00h–1FCFFFh
SA32	100000xxx	64/32	20000h–20FFFFh	10000h–107FFFh	SA68	111111101	8/4	3FA00h–3FBFFFh	1FD00h–1FDFFFh
SA33	100001xxx	64/32	21000h–21FFFFh	10800h–10FFFFh	SA69	111111110	8/4	3FC00h–3FDFFFh	1FE00h–1FEFFFh
SA34	100010xxx	64/32	22000h–22FFFFh	11000h–117FFFh	SA70	111111111	8/4	3FE00h–3FFFFh	1FF00h–1FFFFh
SA35	100011xxx	64/32	23000h–23FFFFh	11800h–11FFFFh					

Table 8.4 S29GL032N (Model 04) Bottom Boot Sector Addresses

Sector	A20-A12	Sector Size (KB/Kwords)	8-bit Address Range	16-bit Address Range	Sector	A20-A12	Sector Size (KB/Kwords)	8-bit Address Range	16-bit Address Range
SA0	000000000	8/4	000000h-001FFFh	00000h-00FFFh	SA35	011100xxx	64/32	1C0000h-1CFFFFh	E0000h-E7FFFh
SA1	000000001	8/4	002000h-003FFFh	01000h-01FFFh	SA36	011101xxx	64/32	1D0000h-1DFFFFh	E8000h-EFFFFh
SA2	000000010	8/4	004000h-005FFFh	02000h-02FFFh	SA37	011110xxx	64/32	1E0000h-1EFFFFh	F0000h-F7FFFh
SA3	000000011	8/4	006000h-007FFFh	03000h-03FFFh	SA38	011111xxx	64/32	1F0000h-1FFFFFh	F8000h-FFFFFh
SA4	000000100	8/4	008000h-009FFFh	04000h-04FFFh	SA39	100000xxx	64/32	200000h-20FFFFh	100000h-107FFFh
SA5	000000101	8/4	00A000h-00BFFFh	05000h-05FFFh	SA40	100001xxx	64/32	210000h-21FFFFh	108000h-10FFFFh
SA6	000000110	8/4	00C000h-00DFFFh	06000h-06FFFh	SA41	100010xxx	64/32	220000h-22FFFFh	110000h-117FFFh
SA7	000000111	8/4	00E000h-00FFFFh	07000h-07FFFh	SA42	100011xxx	64/32	230000h-23FFFFh	118000h-11FFFFh
SA8	000001xxx	64/32	010000h-01FFFFh	08000h-0FFFFh	SA43	100100xxx	64/32	240000h-24FFFFh	120000h-127FFFh
SA9	000010xxx	64/32	020000h-02FFFFh	10000h-17FFFh	SA44	100101xxx	64/32	250000h-25FFFFh	128000h-12FFFFh
SA10	000011xxx	64/32	030000h-03FFFFh	18000h-1FFFFh	SA45	100110xxx	64/32	260000h-26FFFFh	130000h-137FFFh
SA11	000100xxx	64/32	040000h-04FFFFh	20000h-27FFFh	SA46	100111xxx	64/32	270000h-27FFFFh	138000h-13FFFFh
SA12	000101xxx	64/32	050000h-05FFFFh	28000h-2FFFFh	SA47	101000xxx	64/32	280000h-28FFFFh	140000h-147FFFh
SA13	000110xxx	64/32	060000h-06FFFFh	30000h-37FFFh	SA48	101001xxx	64/32	290000h-29FFFFh	148000h-14FFFFh
SA14	000111xxx	64/32	070000h-07FFFFh	38000h-3FFFFh	SA49	101010xxx	64/32	2A0000h-2AFFFFh	150000h-157FFFh
SA15	001000xxx	64/32	080000h-08FFFFh	40000h-47FFFh	SA50	101011xxx	64/32	2B0000h-2BFFFFh	158000h-15FFFFh
SA16	001001xxx	64/32	090000h-09FFFFh	48000h-4FFFFh	SA51	101100xxx	64/32	2C0000h-2CFFFFh	160000h-167FFFh
SA17	001010xxx	64/32	0A0000h-0AFFFFh	50000h-57FFFh	SA52	101101xxx	64/32	2D0000h-2DFFFFh	168000h-16FFFFh
SA18	001011xxx	64/32	0B0000h-0BFFFFh	58000h-5FFFFh	SA53	101110xxx	64/32	2E0000h-2EFFFFh	170000h-177FFFh
SA19	001100xxx	64/32	0C0000h-0CFFFFh	60000h-67FFFh	SA54	101111xxx	64/32	2F0000h-2FFFFFh	178000h-17FFFFh
SA20	001101xxx	64/32	0D0000h-0DFFFFh	68000h-6FFFFh	SA55	110000xxx	64/32	300000h-30FFFFh	180000h-187FFFh
SA21	001110xxx	64/32	0E0000h-0EFFFFh	70000h-77FFFh	SA56	110001xxx	64/32	310000h-31FFFFh	188000h-18FFFFh
SA22	001111xxx	64/32	0F0000h-0FFFFFh	78000h-7FFFFh	SA57	110010xxx	64/32	320000h-32FFFFh	190000h-197FFFh
SA23	010000xxx	64/32	100000h-10FFFFh	80000h-87FFFh	SA58	110011xxx	64/32	330000h-33FFFFh	198000h-19FFFFh
SA24	010001xxx	64/32	110000h-11FFFFh	88000h-8FFFFh	SA59	110100xxx	64/32	340000h-34FFFFh	1A0000h-1A7FFFh
SA25	010010xxx	64/32	120000h-12FFFFh	90000h-97FFFh	SA60	110101xxx	64/32	350000h-35FFFFh	1A8000h-1AFFFFh
SA26	010011xxx	64/32	130000h-13FFFFh	98000h-9FFFFh	SA61	110110xxx	64/32	360000h-36FFFFh	1B0000h-1B7FFFh
SA27	010100xxx	64/32	140000h-14FFFFh	A0000h-A7FFFh	SA62	110111xxx	64/32	370000h-37FFFFh	1B8000h-1BFFFFh
SA28	010101xxx	64/32	150000h-15FFFFh	A8000h-AFFFFh	SA63	111000xxx	64/32	380000h-38FFFFh	1C0000h-1C7FFFh
SA29	010110xxx	64/32	160000h-16FFFFh	B0000h-B7FFFh	SA64	111001xxx	64/32	390000h-39FFFFh	1C8000h-1CFFFFh
SA30	010111xxx	64/32	170000h-17FFFFh	B8000h-BFFFFh	SA65	111010xxx	64/32	3A0000h-3AFFFFh	1D0000h-1D7FFFh
SA31	011000xxx	64/32	180000h-18FFFFh	C0000h-C7FFFh	SA66	111011xxx	64/32	3B0000h-3BFFFFh	1D8000h-1DFFFFh
SA32	011001xxx	64/32	190000h-19FFFFh	C8000h-CFFFFh	SA67	111100xxx	64/32	3C0000h-3CFFFFh	1E0000h-1E7FFFh
SA33	011010xxx	64/32	1A0000h-1AFFFFh	D0000h-D7FFFh	SA68	111101xxx	64/32	3D0000h-3DFFFFh	1E8000h-1EFFFFh
SA34	011011xxx	64/32	1B0000h-1BFFFFh	D8000h-DFFFFh	SA69	111110xxx	64/32	3E0000h-3EFFFFh	1F0000h-1F7FFFh
					SA70	111111xxx	64/32	3F0000h-3FFFFFh	1F8000h-1FFFFFh

Table 8.5 S29GL064N (Models 01, 02, V1, V2) Sector Addresses (Sheet 1 of 2)

Sector	A21–A15	Sector Size (KB/Kwords)	8-bit Address Range	16-bit Address Range	Sector	A21–A15	Sector Size (KB/Kwords)	8-bit Address Range	16-bit Address Range
SA0	0000000	64/32	000000h–00FFFFh	000000h–007FFFh	SA64	1000000	64/32	400000h–40FFFFh	200000h–207FFFh
SA1	0000001	64/32	010000h–01FFFFh	008000h–00FFFFh	SA65	1000001	64/32	410000h–41FFFFh	208000h–20FFFFh
SA2	0000010	64/32	020000h–02FFFFh	010000h–017FFFh	SA66	1000010	64/32	420000h–42FFFFh	210000h–217FFFh
SA3	0000011	64/32	030000h–03FFFFh	018000h–01FFFFh	SA67	1000011	64/32	430000h–43FFFFh	218000h–21FFFFh
SA4	0000100	64/32	040000h–04FFFFh	020000h–027FFFh	SA68	1000100	64/32	440000h–44FFFFh	220000h–227FFFh
SA5	0000101	64/32	050000h–05FFFFh	028000h–02FFFFh	SA69	1000101	64/32	450000h–45FFFFh	228000h–22FFFFh
SA6	0000110	64/32	060000h–06FFFFh	030000h–037FFFh	SA70	1000110	64/32	460000h–46FFFFh	230000h–237FFFh
SA7	0000111	64/32	070000h–07FFFFh	038000h–03FFFFh	SA71	1000111	64/32	470000h–47FFFFh	238000h–23FFFFh
SA8	0001000	64/32	080000h–08FFFFh	040000h–047FFFh	SA72	1001000	64/32	480000h–48FFFFh	240000h–247FFFh
SA9	0001001	64/32	090000h–09FFFFh	048000h–04FFFFh	SA73	1001001	64/32	490000h–49FFFFh	248000h–24FFFFh
SA10	0001010	64/32	0A0000h–0AFFFFh	050000h–057FFFh	SA74	1001010	64/32	4A0000h–4AFFFFh	250000h–257FFFh
SA11	0001011	64/32	0B0000h–0BFFFFh	058000h–05FFFFh	SA75	1001011	64/32	4B0000h–4BFFFFh	258000h–25FFFFh
SA12	0001100	64/32	0C0000h–0CFFFFh	060000h–067FFFh	SA76	1001100	64/32	4C0000h–4CFFFFh	260000h–267FFFh
SA13	0001101	64/32	0D0000h–0DFFFFh	068000h–06FFFFh	SA77	1001101	64/32	4D0000h–4DFFFFh	268000h–26FFFFh
SA14	0001110	64/32	0E0000h–0EFFFFh	070000h–077FFFh	SA78	1001110	64/32	4E0000h–4EFFFFh	270000h–277FFFh
SA15	0001111	64/32	0F0000h–0FFFFFh	078000h–077FFFh	SA79	1001111	64/32	4F0000h–4FFFFFh	278000h–277FFFh
SA16	0010000	64/32	100000h–10FFFFh	080000h–087FFFh	SA80	1010000	64/32	500000h–50FFFFh	280000h–287FFFh
SA17	0010001	64/32	110000h–11FFFFh	088000h–087FFFh	SA81	1010001	64/32	510000h–51FFFFh	288000h–287FFFh
SA18	0010010	64/32	120000h–12FFFFh	090000h–097FFFh	SA82	1010010	64/32	520000h–52FFFFh	290000h–297FFFh
SA19	0010011	64/32	130000h–13FFFFh	098000h–097FFFh	SA83	1010011	64/32	530000h–53FFFFh	298000h–297FFFh
SA20	0010100	64/32	140000h–14FFFFh	0A0000h–0A7FFFh	SA84	1010100	64/32	540000h–54FFFFh	2A0000h–2A7FFFh
SA21	0010101	64/32	150000h–15FFFFh	0A8000h–0AFFFFh	SA85	1010101	64/32	550000h–55FFFFh	2A8000h–2AFFFFh
SA22	0010110	64/32	160000h–16FFFFh	0B0000h–0B7FFFh	SA86	1010110	64/32	560000h–56FFFFh	2B0000h–2B7FFFh
SA23	0010111	64/32	170000h–17FFFFh	0B8000h–0B7FFFh	SA87	1010111	64/32	570000h–57FFFFh	2B8000h–2B7FFFh
SA24	0011000	64/32	180000h–18FFFFh	0C0000h–0C7FFFh	SA88	1011000	64/32	580000h–58FFFFh	2C0000h–2C7FFFh
SA25	0011001	64/32	190000h–19FFFFh	0C8000h–0CFFFFh	SA89	1011001	64/32	590000h–59FFFFh	2C8000h–2CFFFFh
SA26	0011010	64/32	1A0000h–1AFFFFh	0D0000h–0D7FFFh	SA90	1011010	64/32	5A0000h–5AFFFFh	2D0000h–2D7FFFh
SA27	0011011	64/32	1B0000h–1BFFFFh	0D8000h–0DFFFFh	SA91	1011011	64/32	5B0000h–5BFFFFh	2D8000h–2DFFFFh
SA28	0011100	64/32	1C0000h–1CFFFFh	0E0000h–0E7FFFh	SA92	1011100	64/32	5C0000h–5CFFFFh	2E0000h–2E7FFFh
SA29	0011101	64/32	1D0000h–1DFFFFh	0E8000h–0EFFFFh	SA93	1011101	64/32	5D0000h–5DFFFFh	2E8000h–2EFFFFh
SA30	0011110	64/32	1E0000h–1EFFFFh	0F0000h–0F7FFFh	SA94	1011110	64/32	5E0000h–5EFFFFh	2F0000h–2F7FFFh
SA31	0011111	64/32	1F0000h–1FFFFFh	0F8000h–0FFFFFh	SA95	1011111	64/32	5F0000h–5FFFFFh	2F8000h–2FFFFFh
SA32	0100000	64/32	200000h–20FFFFh	100000h–107FFFh	SA96	1100000	64/32	600000h–60FFFFh	300000h–307FFFh
SA33	0100001	64/32	210000h–21FFFFh	108000h–10FFFFh	SA97	1100001	64/32	610000h–61FFFFh	308000h–30FFFFh
SA34	0100010	64/32	220000h–22FFFFh	110000h–117FFFh	SA98	1100010	64/32	620000h–62FFFFh	310000h–317FFFh
SA35	0100011	64/32	230000h–23FFFFh	118000h–117FFFh	SA99	1100011	64/32	630000h–63FFFFh	318000h–31FFFFh
SA36	0100100	64/32	240000h–24FFFFh	120000h–127FFFh	SA100	1100100	64/32	640000h–64FFFFh	320000h–327FFFh
SA37	0100101	64/32	250000h–25FFFFh	128000h–127FFFh	SA101	1100101	64/32	650000h–65FFFFh	328000h–327FFFh
SA38	0100110	64/32	260000h–26FFFFh	130000h–137FFFh	SA102	1100110	64/32	660000h–66FFFFh	330000h–337FFFh
SA39	0100111	64/32	270000h–27FFFFh	138000h–137FFFh	SA103	1100111	64/32	670000h–67FFFFh	338000h–337FFFh
SA40	0101000	64/32	280000h–28FFFFh	140000h–147FFFh	SA104	1101000	64/32	680000h–68FFFFh	340000h–347FFFh
SA41	0101001	64/32	290000h–29FFFFh	148000h–147FFFh	SA105	1101001	64/32	690000h–69FFFFh	348000h–347FFFh
SA42	0101010	64/32	2A0000h–2AFFFFh	150000h–157FFFh	SA106	1101010	64/32	6A0000h–6AFFFFh	350000h–357FFFh
SA43	0101011	64/32	2B0000h–2BFFFFh	158000h–157FFFh	SA107	1101011	64/32	6B0000h–6BFFFFh	358000h–357FFFh
SA44	0101100	64/32	2C0000h–2CFFFFh	160000h–167FFFh	SA108	1101100	64/32	6C0000h–6CFFFFh	360000h–367FFFh
SA45	0101101	64/32	2D0000h–2DFFFFh	168000h–167FFFh	SA109	1101101	64/32	6D0000h–6DFFFFh	368000h–367FFFh

Table 8.5 S29GL064N (Models 01, 02, V1, V2) Sector Addresses (Sheet 2 of 2)

Sector	A21–A15	Sector Size (KB/ Kwords)	8-bit Address Range	16-bit Address Range	Sector	A21–A15	Sector Size (KB/ Kwords)	8-bit Address Range	16-bit Address Range
SA46	0101110	64/32	2E0000h–2EFFFFh	170000h–177FFFh	SA110	1101110	64/32	6E0000h–6EFFFFh	370000h–377FFFh
SA47	0101111	64/32	2F0000h–2FFFFFh	178000h–17FFFFh	SA111	1101111	64/32	6F0000h–6FFFFFh	378000h–37FFFFh
SA48	0110000	64/32	300000h–30FFFFh	180000h–187FFFh	SA112	1110000	64/32	700000h–70FFFFh	380000h–387FFFh
SA49	0110001	64/32	310000h–31FFFFh	188000h–18FFFFh	SA113	1110001	64/32	710000h–71FFFFh	388000h–38FFFFh
SA50	0110010	64/32	320000h–32FFFFh	190000h–197FFFh	SA114	1110010	64/32	720000h–72FFFFh	390000h–397FFFh
SA51	0110011	64/32	330000h–33FFFFh	198000h–19FFFFh	SA115	1110011	64/32	730000h–73FFFFh	398000h–39FFFFh
SA52	0110100	64/32	340000h–34FFFFh	1A0000h–1A7FFFh	SA116	1110100	64/32	740000h–74FFFFh	3A0000h–3A7FFFh
SA53	0110101	64/32	350000h–35FFFFh	1A8000h–1AFFFFh	SA117	1110101	64/32	750000h–75FFFFh	3A8000h–3AFFFFh
SA54	0110110	64/32	360000h–36FFFFh	1B0000h–1B7FFFh	SA118	1110110	64/32	760000h–76FFFFh	3B0000h–3B7FFFh
SA55	0110111	64/32	370000h–37FFFFh	1B8000h–1BFFFFh	SA119	1110111	64/32	770000h–77FFFFh	3B8000h–3BFFFFh
SA56	0111000	64/32	380000h–38FFFFh	1C0000h–1C7FFFh	SA120	1111000	64/32	780000h–78FFFFh	3C0000h–3C7FFFh
SA57	0111001	64/32	390000h–39FFFFh	1C8000h–1CFFFFh	SA121	1111001	64/32	790000h–79FFFFh	3C8000h–3CFFFFh
SA58	0111010	64/32	3A0000h–3AFFFFh	1D0000h–1D7FFFh	SA122	1111010	64/32	7A0000h–7AFFFFh	3D0000h–3D7FFFh
SA59	0111011	64/32	3B0000h–3BFFFFh	1D8000h–1DFFFFh	SA123	1111011	64/32	7B0000h–7BFFFFh	3D8000h–3DFFFFh
SA60	0111100	64/32	3C0000h–3CFFFFh	1E0000h–1E7FFFh	SA124	1111100	64/32	7C0000h–7CFFFFh	3E0000h–3E7FFFh
SA61	0111101	64/32	3D0000h–3DFFFFh	1E8000h–1EFFFFh	SA125	1111101	64/32	7D0000h–7DFFFFh	3E8000h–3EFFFFh
SA62	0111110	64/32	3E0000h–3EFFFFh	1F0000h–1F7FFFh	SA126	1111110	64/32	7E0000h–7EFFFFh	3F0000h–3F7FFFh
SA63	0111111	64/32	3F0000h–3FFFFFh	1F8000h–1FFFFFh	SA127	1111111	64/32	7F0000h–7FFFFFh	3F8000h–3FFFFFh

Table 8.6 S29GL064N (Model 03) Top Boot Sector Addresses (Sheet 1 of 2)

Sector	A21–A12	Sector Size (KB/ Kwords)	8-bit Address Range	16-bit Address Range	Sector	A21–A12	Sector Size (KB/ Kwords)	8-bit Address Range	16-bit Address Range
SA0	000000xxx	64/32	000000h–00FFFFh	000000h–007FFFh	SA68	1000100xxx	64/32	440000h–44FFFFh	220000h–227FFFh
SA1	0000001xxx	64/32	010000h–01FFFFh	008000h–00FFFFh	SA69	1000101xxx	64/32	450000h–45FFFFh	228000h–22FFFFh
SA2	0000010xxx	64/32	020000h–02FFFFh	010000h–017FFFh	SA70	1000110xxx	64/32	460000h–46FFFFh	230000h–237FFFh
SA3	0000011xxx	64/32	030000h–03FFFFh	018000h–01FFFFh	SA71	1000111xxx	64/32	470000h–47FFFFh	238000h–23FFFFh
SA4	0000100xxx	64/32	040000h–04FFFFh	020000h–027FFFh	SA72	1001000xxx	64/32	480000h–48FFFFh	240000h–247FFFh
SA5	0000101xxx	64/32	050000h–05FFFFh	028000h–02FFFFh	SA73	1001001xxx	64/32	490000h–49FFFFh	248000h–24FFFFh
SA6	0000110xxx	64/32	060000h–06FFFFh	030000h–037FFFh	SA74	1001010xxx	64/32	4A0000h–4AFFFFh	250000h–257FFFh
SA7	0000111xxx	64/32	070000h–07FFFFh	038000h–03FFFFh	SA75	1001011xxx	64/32	4B0000h–4BFFFFh	258000h–25FFFFh
SA8	0001000xxx	64/32	080000h–08FFFFh	040000h–047FFFh	SA76	1001100xxx	64/32	4C0000h–4CFFFFh	260000h–267FFFh
SA9	0001001xxx	64/32	090000h–09FFFFh	048000h–04FFFFh	SA77	1001101xxx	64/32	4D0000h–4DFFFFh	268000h–26FFFFh
SA10	0001010xxx	64/32	0A0000h–0AFFFFh	050000h–057FFFh	SA78	1001110xxx	64/32	4E0000h–4EFFFFh	270000h–277FFFh
SA11	0001011xxx	64/32	0B0000h–0BFFFFh	058000h–05FFFFh	SA79	1001111xxx	64/32	4F0000h–4FFFFFh	278000h–27FFFFh
SA12	0001100xxx	64/32	0C0000h–0CFFFFh	060000h–067FFFh	SA80	1010000xxx	64/32	500000h–50FFFFh	280000h–287FFFh
SA13	0001101xxx	64/32	0D0000h–0DFFFFh	068000h–06FFFFh	SA81	1010001xxx	64/32	510000h–51FFFFh	288000h–28FFFFh
SA14	0001110xxx	64/32	0E0000h–0EFFFFh	070000h–077FFFh	SA82	1010010xxx	64/32	520000h–52FFFFh	290000h–297FFFh
SA15	0001111xxx	64/32	0F0000h–0FFFFFh	078000h–07FFFFh	SA83	1010011xxx	64/32	530000h–53FFFFh	298000h–29FFFFh
SA16	0010000xxx	64/32	100000h–10FFFFh	080000h–087FFFh	SA84	1010100xxx	64/32	540000h–54FFFFh	2A0000h–2A7FFFh
SA17	0010001xxx	64/32	110000h–11FFFFh	088000h–08FFFFh	SA85	1010101xxx	64/32	550000h–55FFFFh	2A8000h–2AFFFFh
SA18	0010010xxx	64/32	120000h–12FFFFh	090000h–097FFFh	SA86	1010110xxx	64/32	560000h–56FFFFh	2B0000h–2B7FFFh
SA19	0010011xxx	64/32	130000h–13FFFFh	098000h–09FFFFh	SA87	1010111xxx	64/32	570000h–57FFFFh	2B8000h–2BFFFFh
SA20	0010100xxx	64/32	140000h–14FFFFh	0A0000h–0A7FFFh	SA88	1011000xxx	64/32	580000h–58FFFFh	2C0000h–2C7FFFh
SA21	0010101xxx	64/32	150000h–15FFFFh	0A8000h–0AFFFFh	SA89	1011001xxx	64/32	590000h–59FFFFh	2C8000h–2CFFFFh
SA22	0010110xxx	64/32	160000h–16FFFFh	0B0000h–0B7FFFh	SA90	1011010xxx	64/32	5A0000h–5AFFFFh	2D0000h–2D7FFFh



Table 8.6 S29GL064N (Model 03) Top Boot Sector Addresses (Sheet 2 of 2)

Sector	A21-A12	Sector Size (KB/ Kwords)	8-bit Address Range	16-bit Address Range	Sector	A21-A12	Sector Size (KB/ Kwords)	8-bit Address Range	16-bit Address Range
SA23	0010111xxx	64/32	170000h-17FFFFh	0B8000h-0BFFFFh	SA91	1011011xxx	64/32	5B0000h-5BFFFFh	2D8000h-2DFFFFh
SA24	0011000xxx	64/32	180000h-18FFFFh	0C0000h-0C7FFFh	SA92	1011100xxx	64/32	5C0000h-5CFFFFh	2E0000h-2E7FFFh
SA25	0011001xxx	64/32	190000h-19FFFFh	0C8000h-0CFFFFh	SA93	1011101xxx	64/32	5D0000h-5DFFFFh	2E8000h-2EFFFFh
SA26	0011010xxx	64/32	1A0000h-1AFFFFh	0D0000h-0D7FFFh	SA94	1011110xxx	64/32	5E0000h-5EFFFFh	2F0000h-2F7FFFh
SA27	0011011xxx	64/32	1B0000h-1BFFFFh	0D8000h-0DFFFFh	SA95	1011111xxx	64/32	5F0000h-5FFFFFh	2F8000h-2FFFFFh
SA28	0011100xxx	64/32	1C0000h-1CFFFFh	0E0000h-0E7FFFh	SA96	1100000xxx	64/32	600000h-60FFFFh	300000h-307FFFh
SA29	0011101xxx	64/32	1D0000h-1DFFFFh	0E8000h-0EFFFFh	SA97	1100001xxx	64/32	610000h-61FFFFh	308000h-30FFFFh
SA30	0011110xxx	64/32	1E0000h-1EFFFFh	0F0000h-0F7FFFh	SA98	1100010xxx	64/32	620000h-62FFFFh	310000h-317FFFh
SA31	0011111xxx	64/32	1F0000h-1FFFFFh	0F8000h-0FFFFFh	SA99	1100011xxx	64/32	630000h-63FFFFh	318000h-31FFFFh
SA32	0100000xxx	64/32	200000h-20FFFFh	100000h-107FFFh	SA100	1100100xxx	64/32	640000h-64FFFFh	320000h-327FFFh
SA33	0100001xxx	64/32	210000h-21FFFFh	108000h-10FFFFh	SA101	1100101xxx	64/32	650000h-65FFFFh	328000h-32FFFFh
SA34	0100010xxx	64/32	220000h-22FFFFh	110000h-117FFFh	SA102	1100110xxx	64/32	660000h-66FFFFh	330000h-337FFFh
SA35	0101011xxx	64/32	230000h-23FFFFh	118000h-11FFFFh	SA103	1100111xxx	64/32	670000h-67FFFFh	338000h-33FFFFh
SA36	0100100xxx	64/32	240000h-24FFFFh	120000h-127FFFh	SA104	1101000xxx	64/32	680000h-68FFFFh	340000h-347FFFh
SA37	0100101xxx	64/32	250000h-25FFFFh	128000h-12FFFFh	SA105	1101001xxx	64/32	690000h-69FFFFh	348000h-34FFFFh
SA38	0100110xxx	64/32	260000h-26FFFFh	130000h-137FFFh	SA106	1101010xxx	64/32	6A0000h-6AFFFFh	350000h-357FFFh
SA39	0100111xxx	64/32	270000h-27FFFFh	138000h-13FFFFh	SA107	1101011xxx	64/32	6B0000h-6BFFFFh	358000h-35FFFFh
SA40	0101000xxx	64/32	280000h-28FFFFh	140000h-147FFFh	SA108	1101100xxx	64/32	6C0000h-6CFFFFh	360000h-367FFFh
SA41	0101001xxx	64/32	290000h-29FFFFh	148000h-14FFFFh	SA109	1101101xxx	64/32	6D0000h-6DFFFFh	368000h-36FFFFh
SA42	0101010xxx	64/32	2A0000h-2AFFFFh	150000h-157FFFh	SA110	1101110xxx	64/32	6E0000h-6EFFFFh	370000h-377FFFh
SA43	0101011xxx	64/32	2B0000h-2BFFFFh	158000h-15FFFFh	SA111	1101111xxx	64/32	6F0000h-6FFFFFh	378000h-37FFFFh
SA44	0101100xxx	64/32	2C0000h-2CFFFFh	160000h-167FFFh	SA112	1110000xxx	64/32	700000h-70FFFFh	380000h-387FFFh
SA45	0101101xxx	64/32	2D0000h-2DFFFFh	168000h-16FFFFh	SA113	1110001xxx	64/32	710000h-71FFFFh	388000h-38FFFFh
SA46	0101110xxx	64/32	2E0000h-2EFFFFh	170000h-177FFFh	SA114	1110010xxx	64/32	720000h-72FFFFh	390000h-397FFFh
SA47	0101111xxx	64/32	2F0000h-2FFFFFh	178000h-17FFFFh	SA115	1110011xxx	64/32	730000h-73FFFFh	398000h-39FFFFh
SA48	0110000xxx	64/32	300000h-30FFFFh	180000h-187FFFh	SA116	1110100xxx	64/32	740000h-74FFFFh	3A0000h-3A7FFFh
SA49	0110001xxx	64/32	310000h-31FFFFh	188000h-18FFFFh	SA117	1110101xxx	64/32	750000h-75FFFFh	3A8000h-3AFFFFh
SA50	0110010xxx	64/32	320000h-32FFFFh	190000h-197FFFh	SA118	1110110xxx	64/32	760000h-76FFFFh	3B0000h-3B7FFFh
SA51	0110011xxx	64/32	330000h-33FFFFh	198000h-19FFFFh	SA119	1110111xxx	64/32	770000h-77FFFFh	3B8000h-3BFFFFh
SA52	0110100xxx	64/32	340000h-34FFFFh	1A0000h-1A7FFFh	SA120	1111000xxx	64/32	780000h-78FFFFh	3C0000h-3C7FFFh
SA53	0110101xxx	64/32	350000h-35FFFFh	1A8000h-1AFFFFh	SA121	1111001xxx	64/32	790000h-79FFFFh	3C8000h-3CFFFFh
SA54	0110110xxx	64/32	360000h-36FFFFh	1B0000h-1B7FFFh	SA122	1111010xxx	64/32	7A0000h-7AFFFFh	3D0000h-3D7FFFh
SA55	0110111xxx	64/32	370000h-37FFFFh	1B8000h-1BFFFFh	SA123	1111011xxx	64/32	7B0000h-7BFFFFh	3D8000h-3DFFFFh
SA56	0111000xxx	64/32	380000h-38FFFFh	1C0000h-1C7FFFh	SA124	1111100xxx	64/32	7C0000h-7CFFFFh	3E0000h-3E7FFFh
SA57	0111001xxx	64/32	390000h-39FFFFh	1C8000h-1CFFFFh	SA125	1111101xxx	64/32	7D0000h-7DFFFFh	3E8000h-3EFFFFh
SA58	0111010xxx	64/32	3A0000h-3AFFFFh	1D0000h-1D7FFFh	SA126	1111110xxx	64/32	7E0000h-7EFFFFh	3F0000h-3F7FFFh
SA59	0111011xxx	64/32	3B0000h-3BFFFFh	1D8000h-1DFFFFh	SA127	1111111000	8/4	7F0000h-7F1FFFh	3F8000h-3F8FFFh
SA60	0111100xxx	64/32	3C0000h-3CFFFFh	1E0000h-1E7FFFh	SA128	1111111001	8/4	7F2000h-7F3FFFh	3F9000h-3F9FFFh
SA61	0111101xxx	64/32	3D0000h-3DFFFFh	1E8000h-1EFFFFh	SA129	1111111010	8/4	7F4000h-7F5FFFh	3FA000h-3FAFFFh
SA62	0111110xxx	64/32	3E0000h-3EFFFFh	1F0000h-1F7FFFh	SA130	1111111011	8/4	7F6000h-7F7FFFh	3FB000h-3FBFFFh
SA63	0111111xxx	64/32	3F0000h-3FFFFFh	1F8000h-1FFFFFh	SA131	1111111100	8/4	7F8000h-7F9FFFh	3FC000h-3FCFFFh
SA64	1000000xxx	64/32	400000h-40FFFFh	200000h-207FFFh	SA132	1111111101	8/4	7FA000h-7FBFFFh	3FD000h-3FDFFFh
SA65	1000001xxx	64/32	410000h-41FFFFh	208000h-20FFFFh	SA133	1111111110	8/4	7FC000h-7FDFFFh	3FE000h-3FEFFFh
SA66	1000010xxx	64/32	420000h-42FFFFh	210000h-217FFFh	SA134	1111111111	8/4	7FE000h-7FFFFFh	3FF000h-3FFFFFh
SA67	1000011xxx	64/32	430000h-43FFFFh	218000h-21FFFFh					

Table 8.7 S29GL064N (Model 04) Bottom Boot Sector Addresses (Sheet 1 of 2)

Sector	A21-A12	Sector Size (KB/Kwords)	8-bit Address Range	16-bit Address Range	Sector	A21-A12	Sector Size (KB/Kwords)	8-bit Address Range	16-bit Address Range
SA0	0000000000	8/4	000000h-001FFFh	000000h-000FFFh	SA45	0100110xxx	64/32	260000h-26FFFFh	130000h-137FFFh
SA1	0000000001	8/4	002000h-003FFFh	001000h-001FFFh	SA46	0100111xxx	64/32	270000h-27FFFFh	138000h-13FFFFh
SA2	0000000010	8/4	004000h-005FFFh	002000h-002FFFh	SA47	0101000xxx	64/32	280000h-28FFFFh	140000h-147FFFh
SA3	0000000011	8/4	006000h-007FFFh	003000h-003FFFh	SA48	0101001xxx	64/32	290000h-29FFFFh	148000h-14FFFFh
SA4	0000000100	8/4	008000h-009FFFh	004000h-004FFFh	SA49	0101010xxx	64/32	2A0000h-2AFFFFh	150000h-157FFFh
SA5	0000000101	8/4	00A000h-00BFFFh	005000h-005FFFh	SA50	0101011xxx	64/32	2B0000h-2BFFFFh	158000h-15FFFFh
SA6	0000000110	8/4	00C000h-00DFFFh	006000h-006FFFh	SA51	0101100xxx	64/32	2C0000h-2CFFFFh	160000h-167FFFh
SA7	0000000111	8/4	00E000h-00FFFFh	007000h-007FFFh	SA52	0101101xxx	64/32	2D0000h-2DFFFFh	168000h-16FFFFh
SA8	0000001xxx	64/32	010000h-01FFFFh	008000h-00FFFFh	SA53	0101110xxx	64/32	2E0000h-2EFFFFh	170000h-177FFFh
SA9	0000010xxx	64/32	020000h-02FFFFh	010000h-017FFFh	SA54	0101111xxx	64/32	2F0000h-2FFFFFh	178000h-17FFFFh
SA10	0000011xxx	64/32	030000h-03FFFFh	018000h-01FFFFh	SA55	0110000xxx	64/32	300000h-30FFFFh	180000h-187FFFh
SA11	0000100xxx	64/32	040000h-04FFFFh	020000h-027FFFh	SA56	0110001xxx	64/32	310000h-31FFFFh	188000h-18FFFFh
SA12	0000101xxx	64/32	050000h-05FFFFh	028000h-02FFFFh	SA57	0110010xxx	64/32	320000h-32FFFFh	190000h-197FFFh
SA13	0000110xxx	64/32	060000h-06FFFFh	030000h-037FFFh	SA58	0110011xxx	64/32	330000h-33FFFFh	198000h-19FFFFh
SA14	0000111xxx	64/32	070000h-07FFFFh	038000h-03FFFFh	SA59	0110100xxx	64/32	340000h-34FFFFh	1A0000h-1A7FFFh
SA15	0001000xxx	64/32	080000h-08FFFFh	040000h-047FFFh	SA60	0110101xxx	64/32	350000h-35FFFFh	1A8000h-1AFFFFh
SA16	0001001xxx	64/32	090000h-09FFFFh	048000h-04FFFFh	SA61	0110110xxx	64/32	360000h-36FFFFh	1B0000h-1B7FFFh
SA17	0001010xxx	64/32	0A0000h-0AFFFFh	050000h-057FFFh	SA62	0110111xxx	64/32	370000h-37FFFFh	1B8000h-1BFFFFh
SA18	0001011xxx	64/32	0B0000h-0BFFFFh	058000h-05FFFFh	SA63	0111000xxx	64/32	380000h-38FFFFh	1C0000h-1C7FFFh
SA19	0001100xxx	64/32	0C0000h-0CFFFFh	060000h-067FFFh	SA64	0111001xxx	64/32	390000h-39FFFFh	1C8000h-1CFFFFh
SA20	0001101xxx	64/32	0D0000h-0DFFFFh	068000h-06FFFFh	SA65	0111010xxx	64/32	3A0000h-3AFFFFh	1D0000h-1D7FFFh
SA21	0001110xxx	64/32	0E0000h-0EFFFFh	070000h-077FFFh	SA66	0111011xxx	64/32	3B0000h-3BFFFFh	1D8000h-1DFFFFh
SA22	0001111xxx	64/32	0F0000h-0FFFFFh	078000h-07FFFFh	SA67	0111100xxx	64/32	3C0000h-3CFFFFh	1E0000h-1E7FFFh
SA23	0010000xxx	64/32	100000h-10FFFFh	080000h-087FFFh	SA68	0111101xxx	64/32	3D0000h-3DFFFFh	1E8000h-1EFFFFh
SA24	0010001xxx	64/32	110000h-11FFFFh	088000h-08FFFFh	SA69	0111110xxx	64/32	3E0000h-3EFFFFh	1F0000h-1F7FFFh
SA25	0010010xxx	64/32	120000h-12FFFFh	090000h-097FFFh	SA70	0111111xxx	64/32	3F0000h-3FFFFFh	1F8000h-1FFFFFh
SA26	0010011xxx	64/32	130000h-13FFFFh	098000h-09FFFFh	SA71	1000000xxx	64/32	400000h-40FFFFh	200000h-207FFFh
SA27	0010100xxx	64/32	140000h-14FFFFh	0A0000h-0A7FFFh	SA72	1000001xxx	64/32	410000h-41FFFFh	208000h-20FFFFh
SA28	0010101xxx	64/32	150000h-15FFFFh	0A8000h-0AFFFFh	SA73	1000010xxx	64/32	420000h-42FFFFh	210000h-217FFFh
SA29	0010110xxx	64/32	160000h-16FFFFh	0B0000h-0B7FFFh	SA74	1000011xxx	64/32	430000h-43FFFFh	218000h-21FFFFh
SA30	0010111xxx	64/32	170000h-17FFFFh	0B8000h-0BFFFFh	SA75	1000100xxx	64/32	440000h-44FFFFh	220000h-227FFFh
SA31	0011000xxx	64/32	180000h-18FFFFh	0C0000h-0C7FFFh	SA76	1000101xxx	64/32	450000h-45FFFFh	228000h-22FFFFh
SA32	0011001xxx	64/32	190000h-19FFFFh	0C8000h-0CFFFFh	SA77	1000110xxx	64/32	460000h-46FFFFh	230000h-237FFFh
SA33	0011010xxx	64/32	1A0000h-1AFFFFh	0D0000h-0D7FFFh	SA78	1000111xxx	64/32	470000h-47FFFFh	238000h-23FFFFh
SA34	0011011xxx	64/32	1B0000h-1BFFFFh	0D8000h-0DFFFFh	SA79	1001000xxx	64/32	480000h-48FFFFh	240000h-247FFFh
SA35	0011100xxx	64/32	1C0000h-1CFFFFh	0E0000h-0E7FFFh	SA80	1001001xxx	64/32	490000h-49FFFFh	248000h-24FFFFh
SA36	0011101xxx	64/32	1D0000h-1DFFFFh	0E8000h-0EFFFFh	SA81	1001010xxx	64/32	4A0000h-4AFFFFh	250000h-257FFFh
SA37	0011110xxx	64/32	1E0000h-1EFFFFh	0F0000h-0F7FFFh	SA82	1001011xxx	64/32	4B0000h-4BFFFFh	258000h-25FFFFh
SA38	0011111xxx	64/32	1F0000h-1FFFFFh	0F8000h-0FFFFFh	SA83	1001100xxx	64/32	4C0000h-4CFFFFh	260000h-267FFFh
SA39	0100000xxx	64/32	200000h-20FFFFh	100000h-107FFFh	SA84	1001101xxx	64/32	4D0000h-4DFFFFh	268000h-26FFFFh
SA40	0100001xxx	64/32	210000h-21FFFFh	108000h-10FFFFh	SA85	1001110xxx	64/32	4E0000h-4EFFFFh	270000h-277FFFh
SA41	0100010xxx	64/32	220000h-22FFFFh	110000h-117FFFh	SA86	1001111xxx	64/32	4F0000h-4FFFFFh	278000h-27FFFFh
SA42	0100011xxx	64/32	230000h-23FFFFh	118000h-11FFFFh	SA87	1010000xxx	64/32	500000h-50FFFFh	280000h-287FFFh
SA43	0100100xxx	64/32	240000h-24FFFFh	120000h-127FFFh	SA88	1010001xxx	64/32	510000h-51FFFFh	288000h-28FFFFh
SA44	0100101xxx	64/32	250000h-25FFFFh	128000h-12FFFFh	SA89	1010010xxx	64/32	520000h-52FFFFh	290000h-297FFFh
SA90	1010011xxx	64/32	530000h-53FFFFh	298000h-29FFFFh	SA112	1101001xxx	64/32	690000h-69FFFFh	348000h-34FFFFh

Table 8.7 S29GL064N (Model 04) Bottom Boot Sector Addresses (Sheet 2 of 2)

Sector	A21–A12	Sector Size (KB/ Kwords)	8-bit Address Range	16-bit Address Range	Sector	A21–A12	Sector Size (KB/ Kwords)	8-bit Address Range	16-bit Address Range
SA91	1010100xxx	64/32	540000h–54FFFFh	2A0000h–2A7FFFh	SA113	1101010xxx	64/32	6A0000h–6AFFFFh	350000h–357FFFh
SA92	1010101xxx	64/32	550000h–55FFFFh	2A8000h–2AFFFFh	SA114	1101011xxx	64/32	6B0000h–6BFFFFh	358000h–35FFFFh
SA93	1010110xxx	64/32	560000h–56FFFFh	2B0000h–2B7FFFh	SA115	1101100xxx	64/32	6C0000h–6CFFFFh	360000h–367FFFh
SA94	1010111xxx	64/32	570000h–57FFFFh	2B8000h–2BFFFFh	SA116	1101101xxx	64/32	6D0000h–6DFFFFh	368000h–36FFFFh
SA95	1011000xxx	64/32	580000h–58FFFFh	2C0000h–2C7FFFh	SA117	1101110xxx	64/32	6E0000h–6EFFFFh	370000h–377FFFh
SA96	1011001xxx	64/32	590000h–59FFFFh	2C8000h–2CFFFFh	SA118	1101111xxx	64/32	6F0000h–6FFFFFh	378000h–37FFFFh
SA97	1011010xxx	64/32	5A0000h–5AFFFFh	2D0000h–2D7FFFh	SA119	1110000xxx	64/32	700000h–70FFFFh	380000h–387FFFh
SA98	1011011xxx	64/32	5B0000h–5BFFFFh	2D8000h–2DFFFFh	SA120	1110001xxx	64/32	710000h–71FFFFh	388000h–38FFFFh
SA99	1011100xxx	64/32	5C0000h–5CFFFFh	2E0000h–2E7FFFh	SA121	1110010xxx	64/32	720000h–72FFFFh	390000h–397FFFh
SA100	1011101xxx	64/32	5D0000h–5DFFFFh	2E8000h–2EFFFFh	SA122	1110011xxx	64/32	730000h–73FFFFh	398000h–39FFFFh
SA101	1011110xxx	64/32	5E0000h–5EFFFFh	2F0000h–2F7FFFh	SA123	1110100xxx	64/32	740000h–74FFFFh	3A0000h–3A7FFFh
SA102	1011111xxx	64/32	5F0000h–5FFFFFh	2F8000h–2FFFFFh	SA124	1110101xxx	64/32	750000h–75FFFFh	3A8000h–3AFFFFh
SA103	1100000xxx	64/32	600000h–60FFFFh	300000h–307FFFh	SA125	1110110xxx	64/32	760000h–76FFFFh	3B0000h–3B7FFFh
SA104	1100001xxx	64/32	610000h–61FFFFh	308000h–30FFFFh	SA126	1110111xxx	64/32	770000h–77FFFFh	3B8000h–3BFFFFh
SA105	1100010xxx	64/32	620000h–62FFFFh	310000h–317FFFh	SA127	1111000xxx	8/4	780000h–78FFFFh	3C0000h–3C7FFFh
SA106	1100011xxx	64/32	630000h–63FFFFh	318000h–31FFFFh	SA128	1111001xxx	8/4	790000h–79FFFFh	3C8000h–3CFFFFh
SA107	1100100xxx	64/32	640000h–64FFFFh	320000h–327FFFh	SA129	1111010xxx	8/4	7A0000h–7AFFFFh	3D0000h–3D7FFFh
SA108	1100101xxx	64/32	650000h–65FFFFh	328000h–32FFFFh	SA130	1111011xxx	8/4	7B0000h–7BFFFFh	3D8000h–3DFFFFh
SA109	1100110xxx	64/32	660000h–66FFFFh	330000h–337FFFh	SA131	1111100xxx	8/4	7C0000h–7CFFFFh	3E0000h–3E7FFFh
SA110	1100111xxx	64/32	670000h–67FFFFh	338000h–33FFFFh	SA132	1111101xxx	8/4	7D0000h–7DFFFFh	3E8000h–3EFFFFh
SA111	1101000xxx	64/32	680000h–68FFFFh	340000h–347FFFh	SA133	1111110xxx	8/4	7E0000h–7EFFFFh	3F0000h–3F7FFFh
					SA134	1111111xxx	8/4	7F0000h–7FFFFFh	3F8000h–3FFFFFh

Table 8.8 S29GL064N (Models 06, 07, V6, V7) Sector Addresses (Sheet 1 of 2)

Sector	A21–A15	16-bit Address Range	Sector	A21–A15	16-bit Address Range
SA0	0000000	000000–007FFF	SA64	1000000	100000–107FFF
SA1	0000001	008000–00FFFF	SA65	1000001	108000–10FFFF
SA2	0000010	010000–017FFF	SA66	1000010	110000–117FFF
SA3	0000011	018000–01FFFF	SA67	1000011	118000–11FFFF
SA4	0000100	020000–027FFF	SA68	1000100	120000–127FFF
SA5	0000101	028000–02FFFF	SA69	1000101	128000–12FFFF
SA6	0000110	030000–037FFF	SA70	1000110	130000–137FFF
SA7	0000111	038000–03FFFF	SA71	1000111	138000–13FFFF
SA8	0001000	040000–047FFF	SA72	1001000	140000–147FFF
SA9	0001001	048000–04FFFF	SA73	1001001	148000–14FFFF
SA10	0001010	050000–057FFF	SA74	1001010	150000–157FFF
SA11	0001011	058000–05FFFF	SA75	1001011	158000–15FFFF
SA12	0001100	060000–067FFF	SA76	1001100	160000–167FFF
SA13	0001101	068000–06FFFF	SA77	1001101	168000–16FFFF
SA14	0001110	070000–077FFF	SA78	1001110	170000–177FFF
SA15	0001111	078000–07FFFF	SA79	1001111	178000–17FFFF
SA16	0010000	080000–087FFF	SA80	1010000	180000–187FFF
SA17	0010001	088000–08FFFF	SA81	1010001	188000–18FFFF
SA18	0010010	090000–097FFF	SA82	1010010	190000–197FFF

Table 8.8 S29GL064N (Models 06, 07, V6, V7) Sector Addresses (Sheet 2 of 2)

Sector	A21-A15	16-bit Address Range	Sector	A21-A15	16-bit Address Range
SA19	0010011	098000-09FFFF	SA83	1010011	198000-19FFFF
SA20	0010100	0A0000-0A7FFF	SA84	1010100	1A0000-1A7FFF
SA21	0010101	0A8000-0AFFFF	SA85	1010101	1A8000-1AFFFF
SA22	0010110	0B0000-0B7FFF	SA86	1010110	1B0000-1B7FFF
SA23	0010111	0B8000-0BFFFF	SA87	1010111	1B8000-1BFFFF
SA24	0011000	0C0000-0C7FFF	SA88	1011000	1C0000-1C7FFF
SA25	0011001	0C8000-0CFFFF	SA89	1011001	1C8000-1CFFFF
SA26	0011010	0D0000-0D7FFF	SA90	1011010	1D0000-1D7FFF
SA27	0011011	0D8000-0DFFFF	SA91	1011011	1D8000-1DFFFF
SA28	0011100	0E0000-0E7FFF	SA92	1011100	1E0000-1E7FFF
SA29	0011101	0E8000-0EFFFF	SA93	1011101	1E8000-1EFFFF
SA30	0011110	0F0000-0F7FFF	SA94	1011110	1F0000-1F7FFF
SA31	0011111	0F8000-0FFFFF	SA95	1011111	1F8000-1FFFFF
SA32	0100000	200000-207FFF	SA96	1100000	300000-307FFF
SA33	0100001	208000-20FFFF	SA97	1100001	308000-30FFFF
SA34	0100010	210000-217FFF	SA98	1100010	310000-317FFF
SA35	0100011	218000-21FFFF	SA99	1100011	318000-31FFFF
SA36	0100100	220000-227FFF	SA100	1100100	320000-327FFF
SA37	0100101	228000-22FFFF	SA101	1100101	328000-32FFFF
SA38	0100110	230000-237FFF	SA102	1100110	330000-337FFF
SA39	0100111	238000-23FFFF	SA103	1100111	338000-33FFFF
SA40	0101000	240000-247FFF	SA104	1101000	340000-347FFF
SA41	0101001	248000-24FFFF	SA105	1101001	348000-34FFFF
SA42	0101010	250000-257FFF	SA106	1101010	350000-357FFF
SA43	0101011	258000-25FFFF	SA107	1101011	358000-35FFFF
SA44	0101100	260000-267FFF	SA108	1101100	360000-367FFF
SA45	0101101	268000-26FFFF	SA109	1101101	368000-36FFFF
SA46	0101110	270000-277FFF	SA110	1101110	370000-377FFF
SA47	0101111	278000-27FFFF	SA111	1101111	378000-37FFFF
SA48	0110000	280000-287FFF	SA112	1110000	380000-387FFF
SA49	0110001	288000-28FFFF	SA113	1110001	388000-38FFFF
SA50	0110010	290000-297FFF	SA114	1110010	390000-397FFF
SA51	0110011	298000-29FFFF	SA115	1110011	398000-39FFFF
SA52	0110100	2A0000-2A7FFF	SA116	1110100	3A0000-3A7FFF
SA53	0110101	2A8000-2AFFFF	SA117	1110101	3A8000-3AFFFF
SA54	0110110	2B0000-2B7FFF	SA118	1110110	3B0000-3B7FFF
SA55	0110111	2B8000-2BFFFF	SA119	1110111	3B8000-3BFFFF
SA56	0111000	2C0000-2C7FFF	SA120	1111000	3C0000-3C7FFF
SA57	0111001	2C8000-2CFFFF	SA121	1111001	3C8000-3CFFFF
SA58	0111010	2D0000-2D7FFF	SA122	1111010	3D0000-3D7FFF
SA59	0111011	2D8000-2DFFFF	SA123	1111011	3D8000-3DFFFF
SA60	0111100	2E0000-2E7FFF	SA124	1111100	3E0000-3E7FFF
SA61	0111101	2E8000-2EFFFF	SA125	1111101	3E8000-3EFFFF
SA62	0111110	2F0000-2F7FFF	SA126	1111110	3F0000-3F7FFF
SA63	0111111	2F8000-2FFFFF	SA127	1111111	3F8000-3FFFFF

## 8.8 Autoselect Mode

The autoselect mode provides manufacturer and device identification, and sector protection verification, through identifier codes output on DQ7–DQ0. This mode is primarily intended for programming equipment to automatically match a device to be programmed with its corresponding programming algorithm. However, the autoselect codes can also be accessed in-system through the command register.

When using programming equipment, the autoselect mode requires  $V_{ID}$  on address pin A9. Address pins A6, A3, A2, A1, and A0 must be as shown in [Table 8.9 on page 29](#). In addition, when verifying sector protection, the sector address must appear on the appropriate highest order address bits (see [Table 8.2 - Table 8.8](#)). [Table 8.9](#) shows the remaining address bits that are don't care. When all necessary bits are set as required, the programming equipment may then read the corresponding identifier code on DQ7–DQ0.

To access the autoselect codes in-system, the host system can issue the autoselect command via the command register, as shown in [Table 10.1 on page 50](#) and [Table 10.3 on page 52](#). This method does not require  $V_{ID}$ . Refer to the Autoselect Command Sequence section for more information.

**Table 8.9** Autoselect Codes, (High Voltage Method)

Description	CE#	OE#	WE#	A <sub>max</sub> to A15	A14 to A10	A9	A8 to A7	A6	A5 to A4	A3 to A2	A1	A0	DQ8 to DQ15		DQ7 to DQ0		
													BYTE# = V <sub>IH</sub>	BYTE# = V <sub>IL</sub>	Model Number		
															01, 02 V1, V2	03, 04	06, 07, V6, V7
Manufacturer ID: Spansion Products	L	L	H	X	X	$V_{ID}$	X	L	X	L	L	L	00	X	01h	01h	01h
S29GL064N	L	L	H	X	X	$V_{ID}$	X	L	X	L	L	H	22	X	7Eh	7Eh	7Eh
										H	H	L	22	X	0Ch	10h	13h
										H	H	H	22	X	01h	00h (04, bottom boot) 01h (03, top boot)	01h
S29GL032N	L	L	H	X	X	$V_{ID}$	X	L	X	L	L	H	22	X	7Eh	7Eh	
										H	H	L	22	X	1Dh	1Ah	
										H	H	H	22	X	00h	00h (04, bottom boot) 01h (03, top boot)	
Sector Protection Verification	L	L	H	SA	X	$V_{ID}$	X	L	X	L	H	L	X	X	01h (protected), 00h (unprotected)		
Secured Silicon Sector Indicator Bit (DQ7), WP# protects highest address sector	L	L	H	X	X	$V_{ID}$	X	L	X	L	H	H	X	X	For S29GL064N and S29GL032N: 9A (factory locked), 1A (not factory locked)		
Secured Silicon Sector Indicator Bit (DQ7), WP# protects lowest address sector	L	L	H	X	X	$V_{ID}$	X	L	X	L	H	H	X	X	For S29GL064N and S29GL032N: 8A (factory locked), 0A (not factory locked)		

### Legend

L = Logic Low =  $V_{IL}$   
H = Logic High =  $V_{IH}$   
SA = Sector Address  
X = Don't care

## 8.9 Sector Protection

The device features several levels of sector protection, which can disable both the program and erase operations in certain sectors:

### 8.9.1 Persistent Sector Protection

A command sector protection method that replaces the old 12 V controlled protection method.

### 8.9.2 Password Sector Protection

A highly sophisticated protection method that requires a password before changes to certain sectors are permitted

### 8.9.3 WP# Hardware Protection

A write protect pin that can prevent program or erase operations in the outermost sectors.

The WP# Hardware Protection feature is always available, independent of the software managed protection method chosen.

### 8.9.4 Selecting a Sector Protection Mode

All parts default to operate in the Persistent Sector Protection mode. The customer must then choose if the Persistent or Password Protection method is most desirable. There are two one-time programmable non-volatile bits that define which sector protection method is used. If the customer decides to continue using the Persistent Sector Protection method, they must set the **Persistent Sector Protection Mode Locking Bit**. This permanently sets the part to operate only using Persistent Sector Protection. If the customer decides to use the password method, they must set the **Password Mode Locking Bit**. This permanently sets the part to operate only using password sector protection.

It is important to remember that setting either the **Persistent Sector Protection Mode Locking Bit** or the **Password Mode Locking Bit** permanently selects the protection mode. It is not possible to switch between the two methods once a locking bit is set. **It is important that one mode is explicitly selected when the device is first programmed, rather than relying on the default mode alone.** This is so that it is not possible for a system program or virus to later set the Password Mode Locking Bit, which would cause an unexpected shift from the default Persistent Sector Protection Mode into the Password Protection Mode.

The device is shipped with all sectors unprotected. The factory offers the option of programming and protecting sectors at the factory prior to shipping the device through the ExpressFlash™ Service. Contact your sales representative for details.

It is possible to determine whether a sector is protected or unprotected. See [Autoselect Command Sequence on page 41](#) for details.

## 8.10 Advanced Sector Protection

Advanced Sector Protection features several levels of sector protection, which can disable both the program and erase operations in certain sectors.

**Persistent Sector Protection** is a method that replaces the old 12V controlled protection method.

**Password Sector Protection** is a highly sophisticated protection method that requires a password before changes to certain sectors are permitted.

## 8.11 Lock Register

The Lock Register consists of 3 bits (DQ2, DQ1, and DQ0). These DQ2, DQ1, DQ0 bits of the Lock Register are programmable by the user. Users are not allowed to program both DQ2 and DQ1 bits of the Lock Register to the 00 state. If the user tries to program DQ2 and DQ1 bits of the Lock Register to the 00 state, the device aborts the Lock Register back to the default 11 state. The programming time of the Lock Register is same as the typical word programming time without utilizing the Write Buffer of the device. During a Lock Register programming sequence execution, the DQ6 Toggle Bit I toggles until the programming of the Lock Register has completed to indicate programming status. All Lock Register bits are readable to allow users to verify Lock Register statuses.

The Customer Secured Silicon Sector Protection Bit is DQ0, Persistent Protection Mode Lock Bit is DQ1, and Password Protection Mode Lock Bit is DQ2 are accessible by all users. Each of these bits are non-volatile. DQ15-DQ3 are reserved and must be 1's when the user tries to program the DQ2, DQ1, and DQ0 bits of the Lock Register. The user is not required to program DQ2, DQ1 and DQ0 bits of the Lock Register at the same time. This allows users to lock the Secured Silicon Sector and then set the device either permanently into Password Protection Mode or Persistent Protection Mode and then lock the Secured Silicon Sector at separate instances and time frames.

- Secured Silicon Sector Protection allows the user to lock the Secured Silicon Sector area
- Persistent Protection Mode Lock Bit allows the user to set the device permanently to operate in the Persistent Protection Mode

- Password Protection Mode Lock Bit allows the user to set the device permanently to operate in the Password Protection Mode

Table 8.10 Lock Register

DQ15-3	DQ2	DQ1	DQ0
Don't Care	Password Protection Mode Lock Bit	Persistent Protection Mode Lock Bit	Secured Silicon Sector Protection Bit

## 8.12 Persistent Sector Protection

The Persistent Sector Protection method replaces the old 12 V controlled protection method while at the same time enhancing flexibility by providing three different sector protection states

Dynamically Locked	The sector is protected and can be changed by a simple command
Persistently Locked	A sector is protected and cannot be changed
Unlocked	The sector is unprotected and can be changed by a simple command

To achieve these states, three types of “bits” are used:

### 8.12.1 Dynamic Protection Bit (DYB)

A volatile protection bit is assigned for each sector. After power-up or hardware reset, the contents of all DYB bits are in the “unprotected state”. Each DYB is individually modifiable through the DYB Set Command and DYB Clear Command. When the parts are first shipped, all of the Persistent Protect Bits (PPB) are cleared into the unprotected state. The DYB bits and PPB Lock bit are defaulted to power up in the cleared state or unprotected state - meaning the all PPB bits are changeable.

The Protection State for each sector is determined by the logical OR of the PPB and the DYB related to that sector. For the sectors that have the PPB bits cleared, the DYB bits control whether or not the sector is protected or unprotected. By issuing the DYB Set and DYB Clear command sequences, the DYB bits is protected or unprotected, thus placing each sector in the protected or unprotected state. These are the so-called Dynamic Locked or Unlocked states. They are called dynamic states because it is very easy to switch back and forth between the protected and un-protected conditions. This allows software to easily protect sectors against inadvertent changes yet does not prevent the easy removal of protection when changes are needed.

The DYB bits maybe set or cleared as often as needed. The PPB bits allow for a more static, and difficult to change, level of protection. The PPB bits retain their state across power cycles because they are Non-Volatile. Individual PPB bits are set with a program command but must all be cleared as a group through an erase command.

The PPB Lock Bit adds an additional level of protection. Once all PPB bits are programmed to the desired settings, the PPB Lock Bit may be set to the “freeze state”. Setting the PPB Lock Bit to the “freeze state” disables all program and erase commands to the Non-Volatile PPB bits. In effect, the PPB Lock Bit locks the PPB bits into their current state. The only way to clear the PPB Lock Bit to the “unfreeze state” is to go through a power cycle, or hardware reset. The Software Reset command does not clear the PPB Lock Bit to the “unfreeze state”. System boot code can determine if any changes to the PPB bits are needed e.g. to allow new system code to be downloaded. If no changes are needed then the boot code can set the PPB Lock Bit to disable any further changes to the PPB bits during system operation.

The WP# write protect pin adds a final level of hardware protection. When this pin is low it is not possible to change the contents of the WP# protected sectors. These sectors generally hold system boot code. So, the WP# pin can prevent any changes to the boot code that could override the choices made while setting up sector protection during system initialization.

It is possible to have sectors that have been persistently locked, and sectors that are left in the dynamic state. The sectors in the dynamic state are all unprotected. If there is a need to protect some of them, a simple DYB Set command sequence is all that is necessary. The DYB Set and DYB Clear commands for the dynamic sectors switch the DYB bits to signify protected and unprotected, respectively. If there is a need to change the status of the persistently locked sectors, a few more steps are required. First, the PPB Lock Bit must be disabled to the “unfreeze state” by either putting the device through a power-cycle, or hardware reset. The

PPB bits can then be changed to reflect the desired settings. Setting the PPB Lock Bit once again to the “freeze state” locks the PPB bits, and the device operates normally again.

To achieve the best protection, execute the PPB Lock Bit Set command early in the boot code, and protect the boot code by holding  $WP\# = V_{IL}$ .

### 8.12.2 Persistent Protection Bit (PPB)

A single Persistent (non-volatile) Protection Bit is assigned to each sector. If a PPB is programmed to the protected state through the “PPB Program” command, that sector is protected from program or erase operations is read-only. If a PPB requires erasure, all of the sector PPB bits must first be erased in parallel through the “All PPB Erase” command. The “All PPB Erase” command preprograms all PPB bits prior to PPB erasing. All PPB bits erase in parallel, unlike programming where individual PPB bits are programmable. The PPB bits have the same endurance as the flash memory.

Programming the PPB bit requires the typical word programming time without utilizing the Write Buffer. During a PPB bit programming and all PPB bit erasing sequence executions, the DQ6 Toggle Bit I toggles until the programming of the PPB bit or erasing of all PPB bits has completed to indicate programming and erasing status. Erasing all of the PPB bits at once requires typical sector erase time. During the erasing of all PPB bits, the DQ3 Sector Erase Timer bit outputs a 1 to indicate the erasure of all PPB bits are in progress. When the erasure of all PPB bits has completed, the DQ3 Sector Erase Timer bit outputs a 0 to indicate that all PPB bits have been erased. Reading the PPB Status bit requires the initial access time of the device.

### 8.12.3 Persistent Protection Bit Lock (PPB Lock Bit)

A global volatile bit. When set to the “freeze state”, the PPB bits cannot be changed. When cleared to the “unfreeze state”, the PPB bits are changeable. There is only one PPB Lock Bit per device. The PPB Lock Bit is cleared to the “unfreeze state” after power-up or hardware reset. There is no command sequence to unlock or “unfreeze” the PPB Lock Bit.

Configuring the PPB Lock Bit to the freeze state requires approximately 100ns. Reading the PPB Lock Status bit requires the initial access time of the device.

**Table 8.11** Sector Protection Schemes

Protection States			Sector State
DYB Bit	PPB Bit	PPB Lock Bit	
Unprotect	Unprotect	Unfreeze	Unprotected – PPB and DYB are changeable
Unprotect	Unprotect	Freeze	Unprotected – PPB not changeable, DYB is changeable
Unprotect	Protect	Unfreeze	Protected – PPB and DYB are changeable
Unprotect	Protect	Freeze	Protected – PPB not changeable, DYB is changeable
Protect	Unprotect	Unfreeze	Protected – PPB and DYB are changeable
Protect	Unprotect	Freeze	Protected – PPB not changeable, DYB is changeable
Protect	Protect	Unfreeze	Protected – PPB and DYB are changeable
Protect	Protect	Freeze	Protected – PPB not changeable, DYB is changeable

Table 8.11 contains all possible combinations of the DYB bit, PPB bit, and PPB Lock Bit relating to the status of the sector. In summary, if the PPB bit is set, and the PPB Lock Bit is set, the sector is protected and the protection cannot be removed until the next power cycle or hardware reset clears the PPB Lock Bit to “unfreeze state”. If the PPB bit is cleared, the sector can be dynamically locked or unlocked. The DYB bit then controls whether or not the sector is protected or unprotected. If the user attempts to program or erase a protected sector, the device ignores the command and returns to read mode. A program command to a protected sector enables status polling for approximately 1 μs before the device returns to read mode without having modified the contents of the protected sector. An erase command to a protected sector enables status polling for approximately 50 μs after which the device returns to read mode without having erased the protected sector. The programming of the DYB bit, PPB bit, and PPB Lock Bit for a given sector can be verified by writing a DYB Status Read, PPB Status Read, and PPB Lock Status Read commands to the device.

The Autoselect Sector Protection Verification outputs the OR function of the DYB bit and PPB bit per sector basis. When the OR function of the DYB bit and PPB bit is a 1, the sector is either protected by DYB or PPB



or both. When the OR function of the DYB bit and PPB bit is a 0, the sector is unprotected through both the DYB and PPB.

### 8.13 Persistent Protection Mode Lock Bit

Like the Password Protection Mode Lock Bit, a Persistent Protection Mode Lock Bit exists to guarantee that the device remain in software sector protection. Once programmed, the Persistent Protection Mode Lock Bit prevents programming of the Password Protection Mode Lock Bit. This guarantees that a hacker could not place the device in Password Protection Mode. The Password Protection Mode Lock Bit resides in the “Lock Register”.

### 8.14 Password Sector Protection

The Password Sector Protection method allows an even higher level of security than the Persistent Sector Protection method. There are two main differences between the Persistent Sector Protection and the Password Sector Protection methods:

- When the device is first powered on, or comes out of a reset cycle, the PPB Lock Bit is set to the locked state, or the freeze state, rather than cleared to the unlocked state, or the unfreeze state.
- The only means to clear and unfreeze the PPB Lock Bit is by writing a unique 64-bit Password to the device.

The Password Sector Protection method is otherwise identical to the Persistent Sector Protection method.

A 64-bit password is the only additional tool utilized in this method.

The password is stored in a one-time programmable (OTP) region outside of the flash memory. Once the Password Protection Mode Lock Bit is set, the password is permanently set with no means to read, program, or erase it. The password is used to clear and unfreeze the PPB Lock Bit. The Password Unlock command must be written to the flash, along with a password. The flash device internally compares the given password with the pre-programmed password. If they match, the PPB Lock Bit is cleared to the *unfrozen state*, and the PPB bits can be altered. If they do not match, the flash device does nothing. There is a built-in 2  $\mu$ s delay for each *password check* after the valid 64-bit password is entered for the PPB Lock Bit to be cleared to the “unfrozen state”. This delay is intended to thwart any efforts to run a program that tries all possible combinations in order to crack the password.

### 8.15 Password and Password Protection Mode Lock Bit

In order to select the Password Sector Protection method, the customer must first program the password. The factory recommends that the password be somehow correlated to the unique Electronic Serial Number (ESN) of the particular flash device. Each ESN is different for every flash device; therefore each password should be different for every flash device. While programming in the password region, the customer may perform Password Read operations. Once the desired password is programmed in, the customer must then set the Password Protection Mode Lock Bit. This operation achieves two objectives:

1. It permanently sets the device to operate using the Password Protection Mode. It is not possible to reverse this function.
2. It also disables all further commands to the password region. All program, and read operations are ignored.

Both of these objectives are important, and if not carefully considered, may lead to unrecoverable errors. The user must be sure that the Password Sector Protection method is desired when programming the Password Protection Mode Lock Bit. More importantly, the user must be sure that the password is correct when the Password Protection Mode Lock Bit is programmed. Due to the fact that read operations are disabled, there is no means to read what the password is afterwards. If the password is lost after programming the Password Protection Mode Lock Bit, there is no way to clear and unfreeze the PPB Lock Bit. The Password Protection Mode Lock Bit, once programmed, prevents reading the 64-bit password on the DQ bus and further password programming. The Password Protection Mode Lock Bit is not erasable. Once Password Protection Mode Lock Bit is programmed, the Persistent Protection Mode Lock Bit is disabled from programming, guaranteeing that no changes to the protection scheme are allowed.

## 8.16 64-bit Password

The 64-bit Password is located in its own memory space and is accessible through the use of the Password Program and Password Read commands. The password function works in conjunction with the Password Protection Mode Lock Bit, which when programmed, prevents the Password Read command from reading the contents of the password on the pins of the device.

## 8.17 Persistent Protection Bit Lock (PPB Lock Bit)

A global volatile bit. The PPB Lock Bit is a volatile bit that reflects the state of the Password Protection Mode Lock Bit after power-up reset. If the Password Protection Mode Lock Bit is also programmed after programming the Password, the Password Unlock command must be issued to clear and unfreeze the PPB Lock Bit after a hardware reset (RESET# asserted) or a power-up reset. Successful execution of the Password Unlock command clears and unfreezes the PPB Lock Bit, allowing for sector PPB bits to be modified. Without issuing the Password Unlock command, while asserting RESET#, taking the device through a power-on reset, or issuing the PPB Lock Bit Set command sets the PPB Lock Bit to a the “freeze state”.

If the Password Protection Mode Lock Bit is not programmed, the device defaults to Persistent Protection Mode. In the Persistent Protection Mode, the PPB Lock Bit is cleared to the *unfreeze state* after power-up or hardware reset. The PPB Lock Bit is set to the *freeze state* by issuing the PPB Lock Bit Set command. Once set to the *freeze state* the only means for clearing the PPB Lock Bit to the “unfreeze state” is by issuing a hardware or power-up reset. The Password Unlock command is ignored in Persistent Protection Mode.

Reading the PPB Lock Bit requires a 200ns access time.

## 8.18 Secured Silicon Sector Flash Memory Region

The Secured Silicon Sector feature provides a Flash memory region that enables permanent part identification through an Electronic Serial Number (ESN). The Secured Silicon Sector is 256 bytes in length, and uses a Secured Silicon Sector Indicator Bit (DQ7) to indicate whether or not the Secured Silicon Sector is locked when shipped from the factory. This bit is permanently set at the factory and cannot be changed, which prevents cloning of a factory locked part. This ensures the security of the ESN once the product is shipped to the field.

The factory offers the device with the Secured Silicon Sector either customer lockable (standard shipping option) or factory locked (contact an AMD sales representative for ordering information). The customer-lockable version is shipped with the Secured Silicon Sector unprotected, allowing customers to program the sector after receiving the device. The customer-lockable version also has the Secured Silicon Sector Indicator Bit permanently set to a 0. The factory-locked version is always protected when shipped from the factory, and has the Secured Silicon Sector Indicator Bit permanently set to a 1. Thus, the Secured Silicon Sector Indicator Bit prevents customer-lockable devices from being used to replace devices that are factory locked.

The Secured Silicon sector address space in this device is allocated as follows:

Secured Silicon Sector Address Range	Customer Lockable	ESN Factory Locked	ExpressFlash Factory Locked
000000h–000007h	Determined by customer	ESN	ESN or determined by customer
000008h–00007Fh		Unavailable	Determined by customer

The system accesses the Secured Silicon Sector through a command sequence (see [Write Protect \(WP/ACC#\) on page 35](#)). After the system has written the Enter Secured Silicon Sector command sequence, it may read the Secured Silicon Sector by using the addresses normally occupied by the first sector (SA0). This mode of operation continues until the system issues the Exit Secured Silicon Sector command sequence, or until power is removed from the device. On power-up, or following a hardware reset, the device reverts to sending commands to sector SA0.

### 8.18.1 Customer Lockable: Secured Silicon Sector NOT Programmed or Protected At the Factory

Unless otherwise specified, the device is shipped such that the customer may program and protect the 256-byte Secured Silicon sector.

The system may program the Secured Silicon Sector using the write-buffer, accelerated and/or unlock bypass methods, in addition to the standard programming command sequence. See [Command Definitions on page 40](#).

Programming and protecting the Secured Silicon Sector must be used with caution since, once protected, there is no procedure available for unprotecting the Secured Silicon Sector area and none of the bits in the Secured Silicon Sector memory space can be modified in any way.

The Secured Silicon Sector area can be protected using one of the following procedures:

- Write the three-cycle Enter Secured Silicon Sector Region command.
- To verify the protect/unprotect status of the Secured Silicon Sector, follow the algorithm.

Once the Secured Silicon Sector is programmed, locked and verified, the system must write the Exit Secured Silicon Sector Region command sequence to return to reading and writing within the remainder of the array.

### 8.18.2 Factory Locked: Secured Silicon Sector Programmed and Protected At the Factory

In devices with an ESN, the Secured Silicon Sector is protected when the device is shipped from the factory. The Secured Silicon Sector cannot be modified in any way. An ESN Factory Locked device has an 16-byte random ESN at addresses 000000h–000007h. Please contact your sales representative for details on ordering ESN Factory Locked devices.

Customers may opt to have their code programmed by the factory through the ExpressFlash service (Express Flash Factory Locked). The devices are then shipped from the factory with the Secured Silicon Sector permanently locked. Contact your sales representative for details on using the ExpressFlash service.

## 8.19 Write Protect (WP/ACC#)

The Write Protect function provides a hardware method of protecting the first or last sector without using  $V_{ID}$ . Write Protect is one of two functions provided by the WP#/ACC input.

If the system asserts  $V_{IL}$  on the WP#/ACC pin, the device disables program and erase functions in the first or last sector independently of whether those sectors were protected or unprotected. Note that if WP#/ACC is at  $V_{IL}$  when the device is in the standby mode, the maximum input load current is increased. See the table in [DC Characteristics on page 61](#).

**If the system asserts  $V_{IH}$  on the WP#/ACC pin, the device reverts to whether the first or last sector was previously set to be protected or unprotected using the method described in [Sector Protection on page 29](#). Note that WP/ACC# contains an internal pullup; when unconnected, WP/ACC# is at  $V_{IH}$ .**

## 8.20 Hardware Data Protection

The command sequence requirement of unlock cycles for programming or erasing provides data protection against inadvertent writes (refer to [Table 10.1 on page 50](#) and [Table 10.3 on page 52](#) for command definitions). In addition, the following hardware data protection measures prevent accidental erasure or programming, which might otherwise be caused by spurious system level signals during  $V_{CC}$  power-up and power-down transitions, or from system noise.

### 8.20.1 Low $V_{CC}$ Write Inhibit

When  $V_{CC}$  is less than  $V_{LKO}$ , the device does not accept any write cycles. This protects data during  $V_{CC}$  power-up and power-down. The command register and all internal program/erase circuits are disabled, and the device resets to the read mode. Subsequent writes are ignored until  $V_{CC}$  is greater than  $V_{LKO}$ . The system must provide the proper signals to the control pins to prevent unintentional writes when  $V_{CC}$  is greater than  $V_{LKO}$ .

### 8.20.2 Write Pulse *Glitch* Protection

Noise pulses of less than 3 ns (typical) on OE#, CE# or WE# do not initiate a write cycle.

### 8.20.3 Logical Inhibit

Write cycles are inhibited by holding any one of OE# = V<sub>IL</sub>, CE# = V<sub>IH</sub> or WE# = V<sub>IH</sub>. To initiate a write cycle, CE# and WE# must be a logical zero while OE# is a logical one.

### 8.20.4 Power-Up Write Inhibit

If WE# = CE# = V<sub>IL</sub> and OE# = V<sub>IH</sub> during power up, the device does not accept commands on the rising edge of WE#. The internal state machine is automatically reset to the read mode on power-up.

## 9. Common Flash Memory Interface (CFI)

The Common Flash Interface (CFI) specification outlines device and host system software interrogation handshake, which allows specific vendor-specified software algorithms to be used for entire families of devices. Software support can then be device-independent, JEDEC ID-independent, and forward- and backward-compatible for the specified flash device families. Flash vendors can standardize their existing interfaces for long-term compatibility.

This device enters the CFI Query mode when the system writes the CFI Query command, 98h, to address 55h, any time the device is ready to read array data. The system can read CFI information at the addresses given in [Table 9.1 on page 36](#) – [Table 9.4 on page 39](#). To terminate reading CFI data, the system must write the reset command.

The system can also write the CFI query command when the device is in the autoselect mode. The device enters the CFI query mode, and the system can read CFI data at the addresses given in [Table 9.1 on page 36](#) – [Table 9.4 on page 39](#). The system must write the reset command to return the device to reading array data.

For further information, please refer to the CFI Specification and CFI Publication 100. Alternatively, contact your sales representative for copies of these documents.

**Table 9.1** CFI Query Identification String

Addresses (x16)	Addresses (x8)	Data	Description
10h 11h 12h	20h 22h 24h	0051h 0052h 0059h	Query Unique ASCII string "QRY"
13h 14h	26h 28h	0002h 0000h	Primary OEM Command Set
15h 16h	2Ah 2Ch	0040h 0000h	Address for Primary Extended Table
17h 18h	2Eh 30h	0000h 0000h	Alternate OEM Command Set (00h = none exists)
19h 1Ah	32h 34h	0000h 0000h	Address for Alternate OEM Extended Table (00h = none exists)

Table 9.2 System Interface String

Addresses (x16)	Addresses (x8)	Data	Description
1Bh	36h	0027h	V <sub>CC</sub> Min. (write/erase) D7–D4: volt, D3–D0: 100 millivolt
1Ch	38h	0036h	V <sub>CC</sub> Max. (write/erase) D7–D4: volt, D3–D0: 100 millivolt
1Dh	3Ah	0000h	V <sub>PP</sub> Min. voltage (00h = no V <sub>PP</sub> pin present)
1Eh	3Ch	0000h	V <sub>PP</sub> Max. voltage (00h = no V <sub>PP</sub> pin present)
1Fh	3Eh	0007h	Reserved for future use
20h	40h	0007h	Typical timeout for Min. size buffer write 2 <sup>N</sup> μs (00h = not supported)
21h	42h	000Ah	Typical timeout per individual block erase 2 <sup>N</sup> ms
22h	44h	0000h	Typical timeout for full chip erase 2 <sup>N</sup> ms (00h = not supported)
23h	46h	0003h	Max. timeout for byte/word program 2 <sup>N</sup> times typical.
24h	48h	0005h	Max. timeout for buffer write 2 <sup>N</sup> times typical
25h	4Ah	0004h	Max. timeout per individual block erase 2 <sup>N</sup> times typical
26h	4Ch	0000h	Max. timeout for full chip erase 2 <sup>N</sup> times typical (00h = not supported)

**Note**

CFI data related to V<sub>CC</sub> and time-outs may differ from actual V<sub>CC</sub> and time-outs of the product. Please consult the Ordering Information tables to obtain the V<sub>CC</sub> range for particular part numbers. Please consult the Erase and Programming Performance table for typical timeout specifications.

**Table 9.3** Device Geometry Definition

Addresses (x16)	Addresses (x8)	Data	Description
27h	4Eh	00xxh	Device Size = 2 <sup>N</sup> byte 0017h = 64 Mb, 0016h = 32Mb
28h 29h	50h 52h	000xh 0000h	Flash Device Interface description (refer to CFI publication 100) 0001h = x16-only bus devices 0002h = x8/x16 bus devices
2Ah 2Bh	54h 56h	0005h 0000h	Max. number of byte in multi-byte write = 2 <sup>N</sup> (00h = not supported)
2Ch	58h	00xxh	Number of Erase Block Regions within device (01h = uniform device, 02h = boot device)
2Dh 2Eh 2Fh 30h	5Ah 5Ch 5Eh 60h	00xxh 000xh 00x0h 000xh	Erase Block Region 1 Information (refer to the CFI specification or CFI publication 100) 0001h, 0000h, 0000h, 003Fh = 64Mb (01, 02, 06, 07, V1, V2, V6, V7) 0000h, 0020h, 0000h, 0007h = 64Mb (03, 04) 0001h, 0000h, 0000h, 003Fh = 32Mb (01,02, V1, V2) 0000h, 0020h, 0000h, 0007h = 32Mb (03, 04)
31h 32h 33h 34h	60h 64h 66h 68h	00xxh 0000h 0000h 000xh	Erase Block Region 2 Information (refer to CFI publication 100) 0000h, 0000h, 0000h, 0000h = 64Mb (01, 02, 06, 07, V6, V7) 0001h, 0000h, 0000h, 007Eh = 64Mb (-03, 04) 0000h, 0000h, 0000h, 0000h = 32Mb (01, 02, V1, V2) 0001h, 0000h, 0000h, 007Eh = 32Mb (03, 04)
35h 36h 37h 38h	6Ah 6Ch 6Eh 70h	0000h 0000h 0000h 0000h	Erase Block Region 3 Information (refer to CFI publication 100)
39h 3Ah 3Bh 3Ch	72h 74h 76h 78h	0000h 0000h 0000h 0000h	Erase Block Region 4 Information (refer to CFI publication 100)

Table 9.4 Primary Vendor-Specific Extended Query

Addresses (x16)	Addresses (x8)	Data	Description
40h 41h 42h	80h 82h 84h	0050h 0052h 0049h	Query-unique ASCII string "PRI"
43h	86h	0031h	Major version number, ASCII
44h	88h	0033h	Minor version number, ASCII
45h	8Ah	000xh	Address Sensitive Unlock (Bits 1-0) 0 = Required, 1 = Not Required Process Technology (Bits 7-2) 0100b = 110 nm MirrorBit 0009h = x8-only bus devices 0008h = all other devices
46h	8Ch	0002h	Erase Suspend 0 = Not Supported, 1 = To Read Only, 2 = To Read & Write
47h	8Eh	0001h	Sector Protect 0 = Not Supported, X = Number of sectors in smallest sector
48h	90h	0000h	Sector Temporary Unprotect 00 = Not Supported, 01 = Supported
49h	92h	0008h	Sector Protect/Unprotect scheme 0008h = Advanced sector Protection
4Ah	94h	0000h	Simultaneous Operation 00 = Not Supported, X = Number of Sectors in Bank
4Bh	96h	0000h	Burst Mode Type 00 = Not Supported, 01 = Supported
4Ch	98h	0002h	Page Mode Type 02 = 8 Word Page
4Dh	9Ah	00B5h	ACC (Acceleration) Supply Minimum 00h = Not Supported, D7-D4: Volt, D3-D0: 100 mV
4Eh	9Ch	00C5h	ACC (Acceleration) Supply Maximum 00h = Not Supported, D7-D4: Volt, D3-D0: 100 mV
4Fh	9Eh	00xxh	Top/Bottom Boot Sector Flag 02h = Bottom Boot Device, 03h = Top Boot Device, 04h = Uniform sectors bottom WP# protect, 05h = Uniform sectors top WP# protect
50h	A0h	0001h	Program Suspend 00h = Not Supported, 01h = Supported

## 10. Command Definitions

Writing specific address and data commands or sequences into the command register initiates device operations. [Table 10.1 on page 50](#) and [Table 10.3 on page 52](#) define the valid register command sequences. *Writing incorrect address and data values or writing them in the improper sequence may place the device in an unknown state.* A reset command is then required to return the device to reading array data.

All addresses are latched on the falling edge of WE# or CE#, whichever happens later. All data is latched on the rising edge of WE# or CE#, whichever happens first. Refer to the AC Characteristics section for timing diagrams.

### 10.1 Reading Array Data

The device is automatically set to reading array data after device power-up. No commands are required to retrieve data. The device is ready to read array data after completing an Embedded Program or Embedded Erase algorithm.

After the device accepts an Erase Suspend command, the device enters the erase-suspend-read mode, after which the system can read data from any non-erase-suspended sector. After completing a programming operation in the Erase Suspend mode, the system may once again read array data with the same exception. See [Erase Suspend/Erase Resume Commands on page 49](#) for more information.

The system *must* issue the reset command to return the device to the read (or erase-suspend-read) mode if DQ5 goes high during an active program or erase operation, or if the device is in the autoselect mode. See the next section, Reset Command, for more information.

See also Requirements for Reading Array Data in the Device Bus Operations section for more information. The Read-Only Operations—[AC Characteristics on page 63](#) provide the read parameters, and [Figure 15.2 on page 64](#) shows the timing diagram.

### 10.2 Reset Command

Writing the reset command resets the device to the read or erase-suspend-read mode. Address bits are don't cares for this command.

The reset command may be written between the sequence cycles in an erase command sequence before erasing begins. This resets the device to the read mode. Once erasure begins, however, the device ignores reset commands until the operation is complete.

The reset command may be written between the sequence cycles in a program command sequence before programming begins. This resets the device to the read mode. If the program command sequence is written while the device is in the Erase Suspend mode, writing the reset command returns the device to the erase-suspend-read mode. Once programming begins, however, the device ignores reset commands until the operation is complete.

The reset command may be written between the sequence cycles in an autoselect command sequence. Once in the autoselect mode, the reset command must be written to return to the read mode. If the device entered the autoselect mode while in the Erase Suspend mode, writing the reset command returns the device to the erase-suspend-read mode.

If DQ5 goes high during a program or erase operation, writing the reset command returns the device to the read mode (or erase-suspend-read mode if the device was in Erase Suspend).

Note that if DQ1 goes high during a Write Buffer Programming operation, the system must write the Write-to-Buffer-Abort Reset command sequence to reset the device for the next operation.



### 10.3 Autoselect Command Sequence

The autoselect command sequence allows the host system to read several identifier codes at specific addresses:

Identifier Code	A7:A0 (x16)	A6:A-1 (x8)
Manufacturer ID	00h	00h
Device ID, Cycle 1	01h	02h
Device ID, Cycle 2	0Eh	1Ch
Device ID, Cycle 3	0Fh	1Eh
Secured Silicon Sector Factory Protect	03h	06h
Sector Protect Verify	(SA)02h	(SA)04h

**Note**

The device ID is read over three cycles. SA = Sector Address

The autoselect command sequence is initiated by first writing on unlock cycle (two cycles). This is followed by a third write cycle that contains the autoselect command. The device then enters the autoselect mode. The system may read at any address any number of times without initiating another autoselect command sequence:

The system must write the reset command to return to the read mode (or erase-suspend-read mode if the device was previously in Erase Suspend).

### 10.4 Enter/Exit Secured Silicon Sector Command Sequence

The Secured Silicon Sector region provides a secured data area containing an 8-word/16-byte random Electronic Serial Number (ESN). The system can access the Secured Silicon Sector region by issuing the three-cycle Enter Secured Silicon Sector command sequence. The device continues to access the Secured Silicon Sector region until the system issues the four-cycle Exit Secured Silicon Sector command sequence. The Exit Secured Silicon Sector command sequence returns the device to normal operation. [Table 10.1 on page 50](#) and [Table 10.3 on page 52](#) show the address and data requirements for both command sequences. See also [Secured Silicon Sector Flash Memory Region on page 34](#) for further information. *Note that the ACC function and unlock bypass modes are not available when the Secured Silicon Sector is enabled.*

#### 10.4.1 Word Program Command Sequence

Programming is a four-bus-cycle operation. The program command sequence is initiated by writing two unlock write cycles, followed by the program set-up command. The program address and data are written next, which in turn initiate the Embedded Program algorithm. The system is not required to provide further controls or timings. The device automatically provides internally generated program pulses and verifies the programmed cell margin. [Table 10.1 on page 50](#) and [Table 10.3 on page 52](#) show the address and data requirements for the word program command sequence, respectively.

When the Embedded Program algorithm is complete, the device then returns to the read mode and addresses are no longer latched. The system can determine the status of the program operation by using DQ7 or DQ6. Refer to the Write Operation Status section for information on these status bits. Any commands written to the device during the Embedded Program Algorithm are ignored. *Note that the Secured Silicon Sector, autoselect, and CFI functions are unavailable when a program operation is in progress.* Note that a **hardware reset** immediately terminates the program operation. The program command sequence should be reinitiated once the device returns to the read mode, to ensure data integrity.

Programming is allowed in any sequence of address locations and across sector boundaries. Programming to the same word address multiple times without intervening erases (incremental bit programming) requires a modified programming method. For such application requirements, please contact your local Spansion representative. Word programming is supported for backward compatibility with existing Flash driver software and for occasional writing of individual words. Use of write buffer programming (see below) is strongly recommended for general programming use when more than a few words are to be programmed. The effective word programming time using write buffer programming is approximately four times shorter than the single word programming time.

**Any bit in a word cannot be programmed from 0 back to a 1.** Attempting to do so may cause the device to set DQ5=1, or cause DQ7 and DQ6 status bits to indicate the operation was successful. However, a succeeding read shows that the data is still 0. Only erase operations can convert a 0 to a 1.

### 10.4.2 Unlock Bypass Command Sequence

The unlock bypass feature allows the system to program words to the device faster than using the standard program command sequence. The unlock bypass command sequence is initiated by first writing two unlock cycles. This is followed by a third write cycle containing the unlock bypass command, 20h. The device then enters the unlock bypass mode. A two-cycle unlock bypass mode command sequence is all that is required to program in this mode. The first cycle in this sequence contains the unlock bypass program command, A0h; the second cycle contains the program address and data. Additional data is programmed in the same manner. This mode dispenses with the initial two unlock cycles required in the standard program command sequence, resulting in faster total programming time. [Table 10.1 on page 50](#) and [Table 10.3 on page 52](#) show the requirements for the command sequence.

During the unlock bypass mode, only the Unlock Bypass Program and Unlock Bypass Reset commands are valid. To exit the unlock bypass mode, the system must issue the two-cycle unlock bypass reset command sequence. The first cycle must contain the data 90h. The second cycle must contain the data 00h. The device then returns to the read mode.

### 10.4.3 Write Buffer Programming

Write Buffer Programming allows the system write to a maximum of 16 words/32 bytes in one programming operation. This results in faster effective programming time than the standard programming algorithms. The Write Buffer Programming command sequence is initiated by first writing two unlock cycles. This is followed by a third write cycle containing the Write Buffer Load command written at the Sector Address in which programming occurs. The fourth cycle writes the sector address and the number of word locations, minus one, to be programmed. For example, if the system programs six unique address locations, then 05h should be written to the device. This tells the device how many write buffer addresses are loaded with data and therefore when to expect the Program Buffer to Flash command. The number of locations to program cannot exceed the size of the write buffer or the operation aborts.

The fifth cycle writes the first address location and data to be programmed. The write-buffer-page is selected by address bits  $A_{MAX}-A_4$ . All subsequent address/data pairs must fall within the selected-write-buffer-page. The system then writes the remaining address/data pairs into the write buffer. Write buffer locations may be loaded in any order.

The write-buffer-page address must be the same for all address/data pairs loaded into the write buffer. (This means Write Buffer Programming cannot be performed across multiple write-buffer pages.) This also means that Write Buffer Programming cannot be performed across multiple sectors. If the system attempts to load programming data outside of the selected write-buffer page, the operation aborts.

Note that if a Write Buffer address location is loaded multiple times, the address/data pair counter is decremented for every data load operation. The host system must therefore account for loading a write-buffer location more than once. The counter decrements for each data load operation, not for each unique write-buffer-address location. Note also that if an address location is loaded more than once into the buffer, the final data loaded for that address is programmed.

Once the specified number of write buffer locations are loaded, the system must then write the Program Buffer to Flash command at the sector address. Any other address and data combination aborts the Write Buffer Programming operation. The device then begins programming. Data polling should be used while monitoring the last address location loaded into the write buffer. DQ7, DQ6, DQ5, and DQ1 should be monitored to determine the device status during Write Buffer Programming.

The write-buffer programming operation can be suspended using the standard program suspend/resume commands. Upon successful completion of the Write Buffer Programming operation, the device is ready to execute the next command.

The Write Buffer Programming Sequence can be aborted in the following ways:

- Load a value that is greater than the page buffer size during the Number of Locations to Program step.
- Write to an address in a sector different than the one specified during the Write-Buffer-Load command.

- Write an Address/Data pair to a different write-buffer-page than the one selected by the Starting Address during the write buffer data loading stage of the operation.
- Write data other than the Confirm Command after the specified number of data load cycles.

The abort condition is indicated by  $DQ1 = 1$ ,  $DQ7 = \text{DATA\#}$  (for the last address location loaded),  $DQ6 = \text{toggle}$ , and  $DQ5 = 0$ . A Write-to-Buffer-Abort Reset command sequence must be written to reset the device for the next operation.

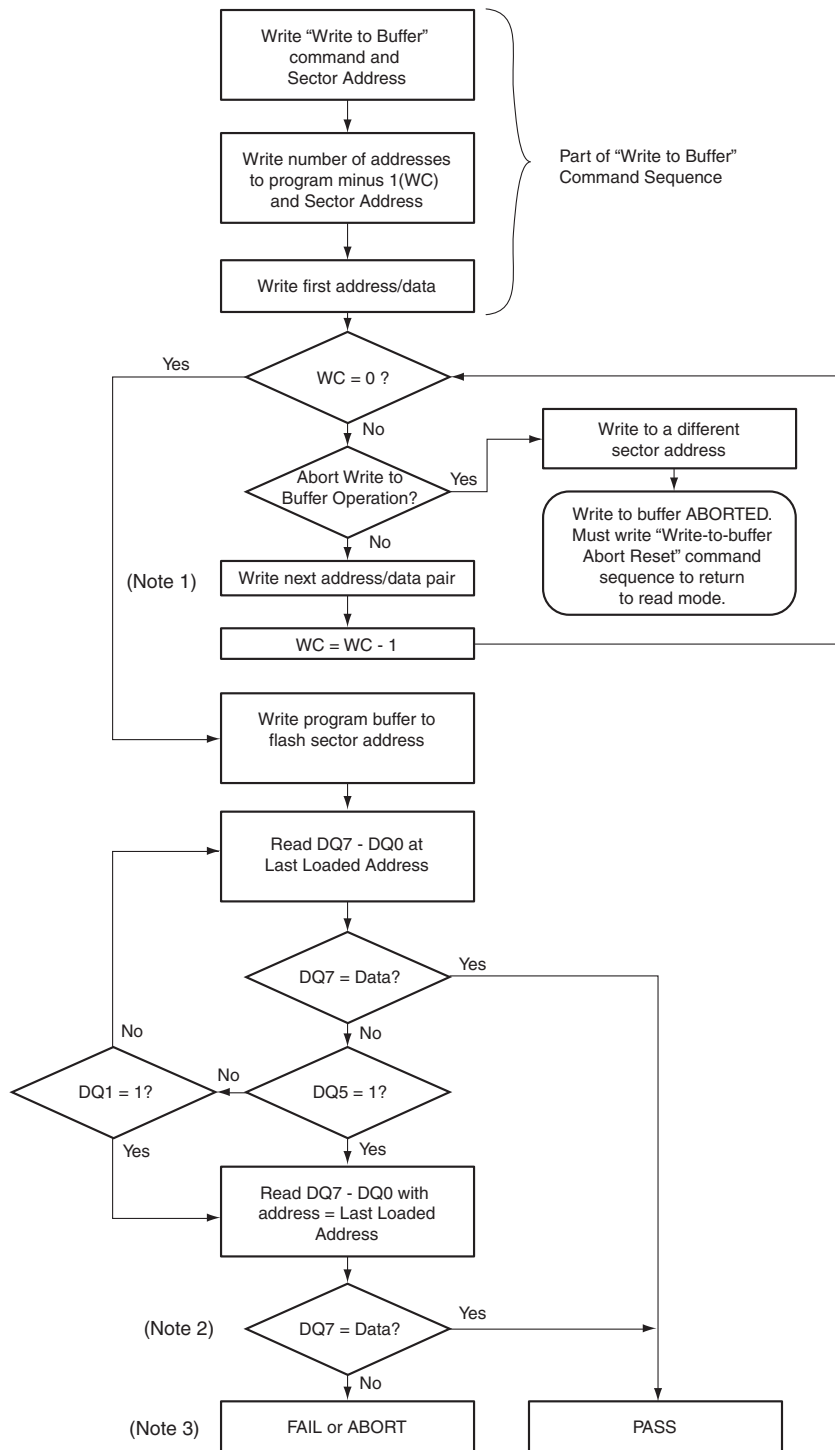
*Note that the Secured Silicon Sector, autoselect, and CFI functions are unavailable when a program operation is in progress.* This flash device is capable of handling multiple write buffer programming operations on the same write buffer address range without intervening erases. For applications requiring incremental bit programming, a modified programming method is required; please contact your local Spansion representative. **Any bit in a write buffer address range cannot be programmed from 0 back to a 1.** Attempting to do so may cause the device to set  $DQ5=1$ , or cause the  $DQ7$  and  $DQ6$  status bits to indicate the operation was successful. However, a succeeding read shows that the data is still 0. Only erase operations can convert a 0 to a 1.

#### 10.4.4 Accelerated Program

The device offers accelerated program operations through the  $WP\#/ACC$  or  $ACC$  pin depending on the particular product. When the system asserts  $V_{HH}$  on the  $WP\#/ACC$  or  $ACC$  pin. The device uses the higher voltage on the  $WP\#/ACC$  or  $ACC$  pin to accelerate the operation. *Note that the  $WP\#/ACC$  pin must not be at  $V_{HH}$  for operations other than accelerated programming, or device damage may result.  $WP\#$  contains an internal pullup; when unconnected,  $WP\#$  is at  $V_{IH}$ .*

[Figure 10.1 on page 44](#) illustrates the algorithm for the program operation. Refer to the Erase and Program Operations—*AC Characteristics* on [page 63](#) for parameters, and [Figure 15.3 on page 64](#) for timing diagrams.

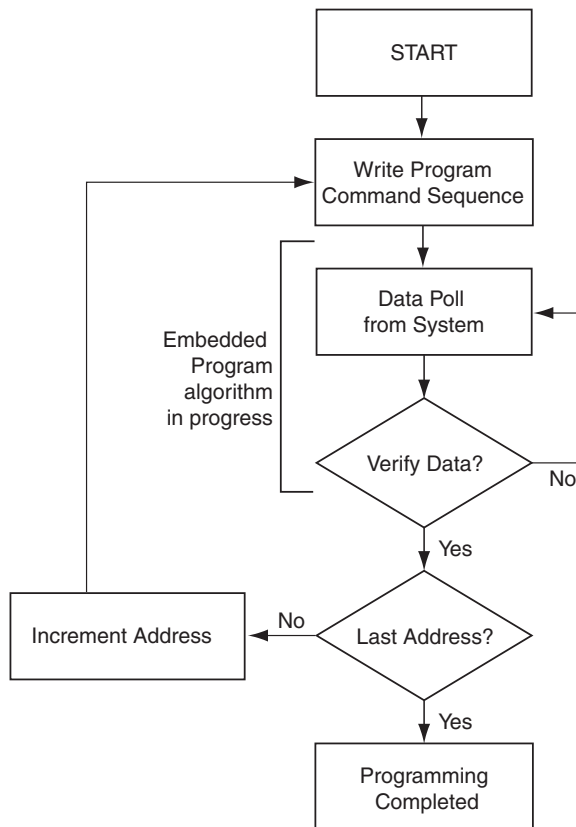
Figure 10.1 Write Buffer Programming Operation



**Notes**

1. When Sector Address is specified, any address in the selected sector is acceptable. However, when loading Write-Buffer address locations with data, all addresses must fall within the selected Write-Buffer Page.
2. DQ7 may change simultaneously with DQ5. Therefore, DQ7 should be verified.
3. If this flowchart location was reached because DQ5= 1, then the device FAILED. If this flowchart location was reached because DQ1= 1, then the Write to Buffer operation was ABORTED. In either case, the proper reset command must be written before the device can begin another operation. If DQ1= 1, write the Write-Buffer-Programming-Abort-Reset command. if DQ5= 1, write the Reset command.
4. See Table 10.1 on page 50 and Table 10.3 on page 52 for command sequences required for write buffer programming.

Figure 10.2 Program Operation

**Note**

See [Table 10.1 on page 50](#) and [Table 10.3 on page 52](#) for program command sequence.

## 10.5 Program Suspend/Program Resume Command Sequence

The Program Suspend command allows the system to interrupt a programming operation or a Write to Buffer programming operation so that data can be read from any non-suspended sector. When the Program Suspend command is written during a programming process, the device halts the program operation within 20  $\mu$ s maximum and updates the status bits. Addresses are not required when writing the Program Suspend command.

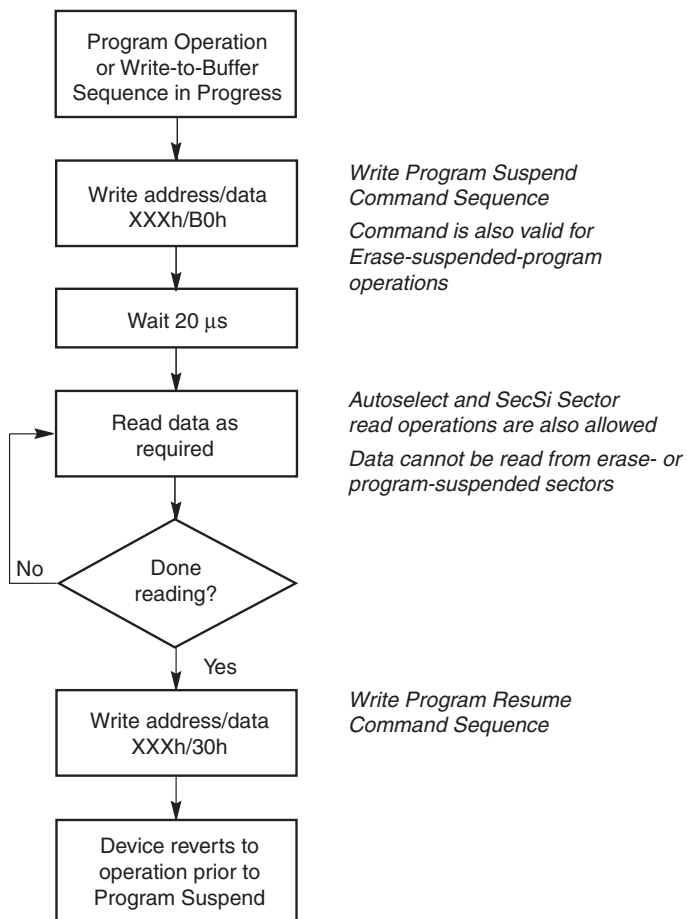
After the programming operation is suspended, the system can read array data from any non-suspended sector. The Program Suspend command may also be issued during a programming operation while an erase is suspended. In this case, data may be read from any addresses not in Erase Suspend or Program Suspend. If a read is needed from the Secured Silicon Sector area (One-time Program area), then user must use the proper command sequences to enter and exit this region. Note that the Secured Silicon Sector, autoselect, and CFI functions are unavailable when a program operation is in progress.

The system may also write the autoselect command sequence when the device is in the Program Suspend mode. The system can read as many autoselect codes as required. When the device exits the autoselect mode, the device reverts to the Program Suspend mode, and is ready for another valid operation. See [Autoselect Command Sequence on page 41](#) for more information.

After the Program Resume command is written, the device reverts to programming. The system can determine the status of the program operation using the DQ7 or DQ6 status bits, just as in the standard program operation. See [Write Operation Status on page 54](#) for more information.

The system must write the Program Resume command (address bits are don't care) to exit the Program Suspend mode and continue the programming operation. Further writes of the Resume command are ignored. Another Program Suspend command can be written after the device resumes programming.

**Figure 10.3** Program Suspend/Program Resume



## 10.6 Chip Erase Command Sequence

Chip erase is a six bus cycle operation. The chip erase command sequence is initiated by writing two unlock cycles, followed by a set-up command. Two additional unlock write cycles are then followed by the chip erase command, which in turn invokes the Embedded Erase algorithm. The device does *not* require the system to preprogram prior to erase. The Embedded Erase algorithm automatically preprograms and verifies the entire memory for an all zero data pattern prior to electrical erase. The system is not required to provide any controls or timings during these operations. [Table 10.1 on page 50](#) and [Table 10.3 on page 52](#) show the address and data requirements for the chip erase command sequence.

When the Embedded Erase algorithm is complete, the device returns to the read mode and addresses are no longer latched. The system can determine the status of the erase operation by using DQ7, DQ6, or DQ2. Refer to [Write Operation Status on page 54](#) for information on these status bits.

Any commands written during the chip erase operation are ignored. However, note that a **hardware reset** immediately terminates the erase operation. If this occurs, the chip erase command sequence should be reinitiated once the device returns to reading array data, to ensure data integrity.

[Figure 10.4 on page 48](#) illustrates the algorithm for the erase operation. Refer to [Table 15.3 on page 66](#) for parameters, and [Figure 15.7 on page 68](#) for timing diagrams.

## 10.7 Sector Erase Command Sequence

Sector erase is a six bus cycle operation. The sector erase command sequence is initiated by writing two unlock cycles, followed by a set-up command. Two additional unlock cycles are written, and are then followed by the address of the sector to be erased, and the sector erase command. [Table 10.1 on page 50](#) and [Table 10.3 on page 52](#) shows the address and data requirements for the sector erase command sequence.

The device does *not* require the system to preprogram prior to erase. The Embedded Erase algorithm automatically programs and verifies the entire memory for an all zero data pattern prior to electrical erase. The system is not required to provide any controls or timings during these operations.

After the command sequence is written, a sector erase time-out of 50  $\mu$ s occurs. During the time-out period, additional sector addresses and sector erase commands may be written. Loading the sector erase buffer may be done in any sequence, and the number of sectors may be from one sector to all sectors. The time between these additional cycles must be less than 50  $\mu$ s, otherwise erasure may begin. Any sector erase address and command following the exceeded time-out may or may not be accepted. It is recommended that processor interrupts be disabled during this time to ensure all commands are accepted. The interrupts can be re-enabled after the last Sector Erase command is written. **Any command other than Sector Erase or Erase Suspend during the time-out period resets the device to the read mode. Note that the Secured Silicon Sector, autoselect, and CFI functions are unavailable when an erase operation is in progress.** The system must rewrite the command sequence and any additional addresses and commands.

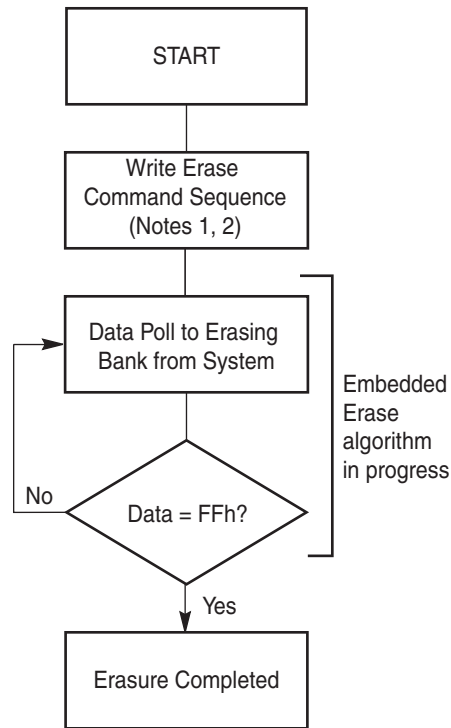
The system can monitor DQ3 to determine if the sector erase timer has timed out (See the section on DQ3: Sector Erase Timer.). The time-out begins from the rising edge of the final WE# pulse in the command sequence.

When the Embedded Erase algorithm is complete, the device returns to reading array data and addresses are no longer latched. The system can determine the status of the erase operation by reading DQ7, DQ6, or DQ2 in the erasing sector. Refer to the Write Operation Status section for information on these status bits.

Once the sector erase operation begins, only the Erase Suspend command is valid. All other commands are ignored. However, note that a **hardware reset** immediately terminates the erase operation. If that occurs, the sector erase command sequence should be reinitiated once the device returns to reading array data, to ensure data integrity.

[Figure 10.4 on page 48](#) illustrates the algorithm for the erase operation. Refer to [Table 15.3 on page 66](#) for parameters, and [Figure 15.7 on page 68](#) for timing diagrams.

Figure 10.4 Erase Operation



**Notes**

1. See [Table 10.1](#) and [Table 10.3](#) for program command sequence.
2. See the section on DQ3 for information on the sector erase timer.



## 10.8 Erase Suspend/Erase Resume Commands

The Erase Suspend command, B0h, allows the system to interrupt a sector erase operation and then read data from, or program data to, any sector not selected for erasure. This command is valid only during the sector erase operation, including the 50  $\mu$ s time-out period during the sector erase command sequence. The Erase Suspend command is ignored if written during the chip erase operation or Embedded Program algorithm.

When the Erase Suspend command is written during the sector erase operation, the device requires a typical of 5  $\mu$ s (maximum of 20  $\mu$ s) to suspend the erase operation. However, when the Erase Suspend command is written during the sector erase time-out, the device immediately terminates the time-out period and suspends the erase operation.

After the erase operation is suspended, the device enters the erase-suspend-read mode. The system can read data from or program data to any sector not selected for erasure. (The device *erases suspends* all sectors selected for erasure.) Reading at any address within erase-suspended sectors produces status information on DQ7–DQ0. The system can use DQ7, or DQ6 and DQ2 together, to determine if a sector is actively erasing or is erase-suspended. Refer to [Write Operation Status on page 54](#) for information on these status bits.

After an erase-suspended program operation is complete, the device returns to the erase-suspend-read mode. The system can determine the status of the program operation using the DQ7 or DQ6 status bits, just as in the standard word program operation. Refer to [Write Operation Status on page 54](#) for more information.

In the erase-suspend-read mode, the system can also issue the autoselect command sequence. Refer to the [Autoselect Mode on page 29](#) and [Autoselect Command Sequence on page 41](#) sections for details.

To resume the sector erase operation, the system must write the Erase Resume command. Further writes of the Resume command are ignored. Another Erase Suspend command can be written after the chip resumes erasing.

*During an erase operation, this flash device performs multiple internal operations which are invisible to the system. When an erase operation is suspended, any of the internal operations that were not fully completed must be restarted. As such, if this flash device is continually issued suspend/resume commands in rapid succession, erase progress is impeded as a function of the number of suspends. The result is a longer cumulative erase time than without suspends. Note that the additional suspends do not affect device reliability or future performance. In most systems rapid erase/suspend activity occurs only briefly. In such cases, erase performance is not significantly impacted.*

## 10.9 Command Definitions

Table 10.1 Command Definitions (x16 Mode, BYTE# = V<sub>IH</sub>)

Command Sequence (Note 1)	Cycles	Bus Cycles (Notes 2–5)											
		First		Second		Third		Fourth		Fifth		Sixth	
Read (Note 5)	1	RA	RD										
Reset (Note 6)	1	XXX	F0										
Autoselect (Note 7)	Manufacturer ID	4	555	AA	2AA	55	555	90	X00	0001			
	Device ID (Note 8)	6	555	AA	2AA	55	555	90	X01	227E	X0E	(Note 18)	X0F (Note 18)
	Device ID	4	555	AA	2AA	55	555	90	X01	(Note 17)			
	Secured Silicon Sector Factory Protect	4	555	AA	2AA	55	555	90	X03	(Note 9)			
	Sector Protect Verify (Note 10)	4	555	AA	2AA	55	555	90	(SA)X02	00/01			
Enter Secured Silicon Sector Region	3	555	AA	2AA	55	555	88						
Exit Secured Silicon Sector Region	4	555	AA	2AA	55	555	90	XXX	00				
Program	4	555	AA	2AA	55	555	A0	PA	PD	WBL			
Write to Buffer (Note 11)	3	555	AA	2AA	55	SA	25	SA	WC	PA	PD	WBL	PD
Program Buffer to Flash	1	SA	29										
Write to Buffer Abort Reset (Note 12)	3	555	AA	2AA	55	555	F0						
Unlock Bypass	3	555	AA	2AA	55	555	20						
Unlock Bypass Program (Note 13)	2	XXX	A0	PA	PD								
Unlock Bypass Reset (Note 14)	2	XXX	90	XXX	00								
Chip Erase	6	555	AA	2AA	55	555	80	555	AA	2AA	55	555	10
Sector Erase	6	555	AA	2AA	55	555	80	555	AA	2AA	55	SA	30
Program/Erase Suspend (Note 15)	1	XXX	B0										
Program/Erase Resume (Note 16)	1	XXX	30										
CFI Query (Note 17)	1	55	98										

### Legend

X = Don't care

RA = Read Address of memory location to be read.

RD = Read Data read from location RA during read operation.

PA = Program Address. Addresses latch on falling edge of WE# or CE# pulse, whichever happens later.

PD = Program Data for location PA. Data latches on rising edge of WE# or CE# pulse, whichever happens first.

SA = Sector Address of sector to be verified (in autoselect mode) or erased. Address bits A21–A15 uniquely select any sector.

WBL = Write Buffer Location. Address must be within same write buffer page as PA.

WC = Word Count. Number of write buffer locations to load minus 1.

### Notes

- See Table 8.1 on page 17 for description of bus operations.
- All values are in hexadecimal.
- Shaded cells indicate read cycles. All others are write cycles.
- During unlock and command cycles, when lower address bits are 555 or 2AA as shown in table, address bits above A11 and data bits above DQ7 are don't care.
- No unlock or command cycles required when device is in read mode.
- Reset command is required to return to read mode (or to erase-suspend-read mode if previously in Erase Suspend) when device is in autoselect mode, or if DQ5 goes high while device is providing status information.
- Fourth cycle of the autoselect command sequence is a read cycle. Data bits DQ15–DQ8 are don't care. Except for RD, PD and WC. See Autoselect Command Sequence on page 41 for more information.
- For S29GL064N and S29GL032N, Device ID must be read in three cycles.
- Refer to Table 8.9 on page 29 for data indicating Secured Silicon Sector factory protect status.
- Data is 00h for an unprotected sector and 01h for a protected sector.

- Total number of cycles in command sequence is determined by number of words written to write buffer. Maximum number of cycles in command sequence is 21, including Program Buffer to Flash command.
- Command sequence resets device for next command after aborted write-to-buffer operation.
- Unlock Bypass command is required prior to Unlock Bypass Program command.
- Unlock Bypass Reset command is required to return to read mode when device is in unlock bypass mode.
- System may read and program in non-erasing sectors, or enter autoselect mode, when in Erase Suspend mode. Erase Suspend command is valid only during a sector erase operation.
- Erase Resume command is valid only during Erase Suspend mode.
- Command is valid when device is ready to read array data or when device is in autoselect mode.
- Refer to Table 8.9 on page 29, for individual Device IDs per device density and model number.

Table 10.2 Sector Protection Commands (x16)

Command Sequence (Notes)		Cycles	Bus Cycles (Notes 2–4)													
			First		Second		Third		Fourth		Fifth		Sixth		Seventh	
			Addr	Data	Addr	Data	Addr	Data	Addr	Data	Addr	Data	Addr	Data	Addr	Data
Lock Register Bits	Command Set Entry (Note 5)	3	555	AA	2AA	55	555	40								
	Program (Note 6)	2	XX	A0	XXX	Data										
	Read (Note 6)	1	00	Data												
	Command Set Exit (Note 7)	2	XX	90	XX	00										
Password Protection	Command Set Entry (Note 5)	3	555	AA	2AA	55	555	60								
	Program (Note 8)	2	XX	A0	PWAx	PWDx										
	Read (Note 9)	4	XXX	PWD0	01	PWD1	02	PWD2	03	PWD3						
	Unlock (Note 10)	7	00	25	00	03	00	PWD0	01	PWD1	02	PWD2	03	PWD3	00	29
	Command Set Exit (Note 7)	2	XX	90	XX	00										
Non-Volatile Sector Protection (PPB)	Command Set Entry (Note 5)	3	555	AA	2AA	55	555	C0								
	PPB Program (Note 11)	2	XX	A0	SA	00										
	All PPB Erase (Notes 11, 12)	2	XX	80	00	30										
	PPB Status Read	1	SA	RD(0)												
	Command Set Exit (Note 7)	2	XX	90	XX	00										
Global Volatile Sector Protection Freeze (PPB Lock)	Command Set Entry (Note 5)	3	555	AA	2AA	55	555	50								
	PPB Lock Bit Set	2	XX	A0	XX	00										
	PPB Lock Bit Status Read	1	XXX	RD(0)												
	Command Set Exit (Note 7)	2	XX	90	XX	00										
Volatile Sector Protection (DYB)	Command Set Entry (Note 5)	3	555	AA	2AA	55	555	E0								
	DYB Set	2	XX	A0	SA	00										
	DYB Clear	2	XX	A0	SA	01										
	DYB Status Read	1	SA	RD(0)												
	Command Set Exit (Note 7)	2	XX	90	XX	00										

**Legend**

X = Don't care.

RA = Address of the memory location to be read.

SA = Sector Address. Any address that falls within a specified sector. See Tables 8.2–8.8 for sector address ranges.

**Notes**

- All values are in hexadecimal.
- Shaded cells indicate read cycles.
- Address and data bits not specified in table, legend, or notes are don't cares (each hex digit implies 4 bits of data).
- Writing incorrect address and data values or writing them in the improper sequence may place the device in an unknown state. The system must write the reset command to return the device to reading array data.
- Entry commands are required to enter a specific mode to enable instructions only available within that mode.
- No unlock or command cycles required when bank is reading array data.
- Exit command must be issued to reset the device into read mode; device may otherwise be placed in an unknown state.
- Entire two bus-cycle sequence must be entered for each portion of the password.
- Full address range is required for reading password.
- Password may be unlocked or read in any order. Unlocking requires the full password (all seven cycles).
- ACC must be at  $V_{IH}$  when setting PPB or DYB.
- "All PPB Erase" command pre-programs all PPBs before erasure to prevent over-erasure.

PWA = Password Address. Address bits A1 and A0 are used to select each 16-bit portion of the 64-bit entity.

PWD = Password Data.

RD(0) = DQ0 protection indicator bit. If protected, DQ0 = 0. If unprotected, DQ0 = 1.

**Table 10.3** Command Definitions (x8 Mode, BYTE# = V<sub>IL</sub>)

Command Sequence (Note 1)		Cycles	Bus Cycles (Notes 2–5)											
			First		Second		Third		Fourth		Fifth		Sixth	
			Addr	Data	Addr	Data	Addr	Data	Addr	Data	Addr	Data	Addr	Data
Read (Note 6)		1	RA	RD										
Reset (Note 7)		1	XXX	F0										
Autoselect (Note 8)	Manufacturer ID	4	AAA	AA	555	55	AAA	90	X00	01				
	Device ID (Note 9)	6	AAA	AA	555	55	AAA	90	X02	7E	X1C	(Note 17)	X1E	(Note 17)
	Device ID	4	AAA	AA	555	55	AAA	90	X02	(Note 10)				
	Secured Silicon Sector Factory Protect	4	AAA	AA	555	55	AAA	90	X06					
	Sector Protect Verify (Note 11)	4	AAA	AA	555	55	AAA	90	(SA)X04	00/01				
Enter Secured Silicon Sector Region		3	AAA	AA	555	55	AAA	88						
Exit Secured Silicon Sector Region		4	AAA	AA	555	55	AAA	90	XXX	00				
Program		4	555	AA	2AA	55	555	A0	PA	PD	WBL			
Write to Buffer (Note 12)		3	AAA	AA	555	55	SA	25	SA	BC	PA	PD	WBL	PD
Program Buffer to Flash		1	SA	29										
Write to Buffer Abort Reset (Note 13)		3	AAA	AA	555	55	AAA	F0						
Chip Erase		6	AAA	AA	555	55	AAA	80	AAA	AA	555	55	AAA	10
Sector Erase		6	AAA	AA	555	55	AAA	80	AAA	AA	555	55	SA	30
Unlock Bypass			AAA	AA	555	55	AAA	20						
Unlock Bypass Program			XXX	A0	PA	PD								
Unlock Bypass RESET			XXX	90	XXX	00								
Program/Erase Suspend (Note 14)		1	XXX	B0										
Program/Erase Resume (Note 15)		1	XXX	30										
CFI Query (Note 16)		1	AA	98										

**Legend**

X = Don't care

RA = Read Address of memory location to be read.

RD = Read Data read from location RA during read operation.

PA = Program Address. Addresses latch on falling edge of WE# or CE# pulse, whichever happens later.

PD = Program Data for location PA. Data latches on rising edge of WE# or CE# pulse, whichever happens first.

SA = Sector Address of sector to be verified (in autoselect mode) or erased. Address bits A21–A15 uniquely select any sector.

WBL = Write Buffer Location. Address must be within same write buffer page as PA.

BC = Byte Count. Number of write buffer locations to load minus 1.

**Notes**

- See Table 8.1 on page 17 for description of bus operations.
- All values are in hexadecimal.
- Shaded cells indicate read cycles. All others are write cycles.
- During unlock and command cycles, when lower address bits are 555 or AAA as shown in table, address bits above A11 are don't care.
- Unless otherwise noted, address bits A21–A11 are don't cares.
- No unlock or command cycles required when device is in read mode.
- Reset command is required to return to read mode (or to erase-suspend-read mode if previously in Erase Suspend) when device is in autoselect mode, or if DQ5 goes high while device is providing status information.
- Fourth cycle of autoselect command sequence is a read cycle. Data bits DQ15–DQ8 are don't care. See [Autoselect Command Sequence on page 41](#) for more information.
- For S29GL064N and S29GL032A Device ID must be read in three cycles.

- Refer to Table 8.9 on page 29, for data indicating Secured Silicon Sector factory protect status.
- Data is 00h for an unprotected sector and 01h for a protected sector.
- Total number of cycles in command sequence is determined by number of bytes written to write buffer. Maximum number of cycles in command sequence is 37, including Program Buffer to Flash command.
- Command sequence resets device for next command after aborted write-to-buffer operation.
- System may read and program in non-erasing sectors, or enter autoselect mode, when in Erase Suspend mode. Erase Suspend command is valid only during a sector erase operation.
- Erase Resume command is valid only during Erase Suspend mode.
- Command is valid when device is ready to read array data or when device is in autoselect mode.
- Refer to Table 8.9 on page 29, for individual Device IDs per device density and model number.

Table 10.4 Sector Protection Commands (x8)

Command Sequence (Notes)		Cycles	Bus Cycles (Notes 2-5)													
			1st/8th		2nd/9th		3rd/10th		4th/11th		5th		6th		7th	
			Addr	Data	Addr	Data	Addr	Data	Addr	Data	Addr	Data	Addr	Data	Addr	Data
Lock Register Bits	Command Set Entry (Note 5)	3	AAA	AA	555	55	AAA	40								
	Program (Note 6)	2	XXX	A0	XXX	Data										
	Read (Note 6)	1	00	Data												
	Command Set Exit (Note 7)	2	XXX	90	XXX	00										
Password Protection	Command Set Entry (Note 5)	3	AAA	AA	555	55	AAA	60								
	Program (Note 8)	2	XXX	A0	PWAx	PWDx										
	Read (Note 9)	8	00	PWD0	01	PWD1	02	PWD2	03	PWD3	04	PWD4	05	PWD5	06	PWD6
		8	07	PWD7												
	Unlock (Note 10)	11	00	25	00	03	00	PWD0	01	PWD1	02	PWD2	03	PWD3	04	PWD4
Command Set Exit (Note 7)	2	XX	90	XX	00											
Non-Volatile Sector Protection (PPB)	Command Set Entry (Note 5)	3	AAA	AA	555	55	AAA	C0								
	PPB Program (Note 11)	2	XXX	A0	SA	00										
	All PPB Erase (Notes 11, 12)	2	XXX	80	00	30										
	PPB Status Read	1	SA	RD(0)												
	Command Set Exit (Note 7)	2	XXX	90	XXX	00										
Global Volatile Sector Protection Freeze (PPB Lock)	Command Set Entry (Note 5)	3	AAA	AA	555	55	AAA	50								
	PPB Lock Bit Set	2	XXX	A0	XXX	00										
	PPB Lock Bit Status Read	1	XXX	RD(0)												
	Command Set Exit (Note 7)	2	XXX	90	XX	00										
Volatile Sector Protection (DYB)	Command Set Entry (Note 5)	3	AAA	AA	555	55	AAA	E0								
	DYB Set	2	XXX	A0	SA	00										
	DYB Clear	2	XXX	A0	SA	01										
	DYB Status Read	1	SA	RD(0)												
	Command Set Exit (Note 7)	2	XXX	90	XXX	00										

**Legend**

X = Don't care.

RA = Address of the memory location to be read.

SA = Sector Address. Any address that falls within a specified sector. See Tables 8.2-8.8 for sector address ranges.

**Notes**

- All values are in hexadecimal.
- Shaded cells indicate read cycles.
- Address and data bits not specified in table, legend, or notes are don't cares (each hex digit implies 4 bits of data).
- Writing incorrect address and data values or writing them in the improper sequence may place the device in an unknown state. The system must write the reset command to return the device to reading array data.
- Entry commands are required to enter a specific mode to enable instructions only available within that mode.
- No unlock or command cycles required when bank is reading array data.
- Exit command must be issued to reset the device into read mode; device may otherwise be placed in an unknown state.
- Entire two bus-cycle sequence must be entered for each portion of the password.
- Full address range is required for reading password.
- Password may be unlocked or read in any order. Unlocking requires the full password (all seven cycles).
- ACC must be at  $V_{IH}$  when setting PPB or DYB.
- "All PPB Erase" command pre-programs all PPBs before erasure to prevent over-erasure.

PWA = Password Address. Address bits A1 and A0 are used to select each 16-bit portion of the 64-bit entity.

PWD = Password Data.

RD(0) = DQ0 protection indicator bit. If protected, DQ0 = 0. If unprotected, DQ0 = 1.

## 10.10 Write Operation Status

The device provides several bits to determine the status of a program or erase operation: DQ2, DQ3, DQ5, DQ6, and DQ7. [Table 10.5 on page 59](#) and the following subsections describe the function of these bits. DQ7 and DQ6 each offer a method for determining whether a program or erase operation is complete or in progress. The device also provides a hardware-based output signal, RY/BY#, to determine whether an Embedded Program or Erase operation is in progress or is completed.

## 10.11 DQ7: Data# Polling

The Data# Polling bit, DQ7, indicates to the host system whether an Embedded Program or Erase algorithm is in progress or completed, or whether the device is in Erase Suspend. Data# Polling is valid after the rising edge of the final WE# pulse in the command sequence.

During the Embedded Program algorithm, the device outputs on DQ7 the complement of the datum programmed to DQ7. This DQ7 status also applies to programming during Erase Suspend. When the Embedded Program algorithm is complete, the device outputs the datum programmed to DQ7. The system must provide the program address to read valid status information on DQ7. If a program address falls within a protected sector, Data# Polling on DQ7 is active for approximately 1  $\mu$ s, then the device returns to the read mode.

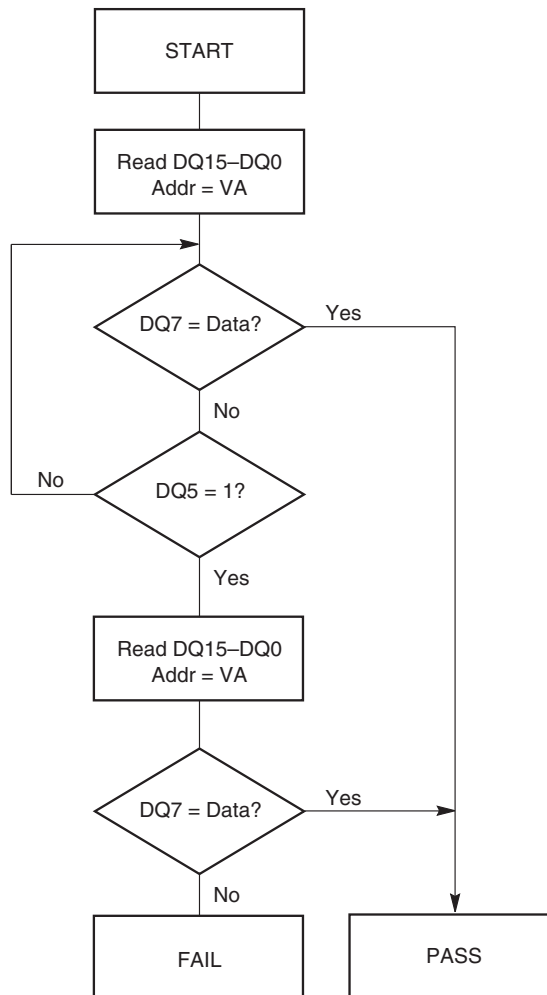
During the Embedded Erase algorithm, Data# Polling produces a 0 on DQ7. When the Embedded Erase algorithm is complete, or if the device enters the Erase Suspend mode, Data# Polling produces a 1 on DQ7. The system must provide an address within any of the sectors selected for erasure to read valid status information on DQ7.

After an erase command sequence is written, if all sectors selected for erasing are protected, Data# Polling on DQ7 is active for approximately 100  $\mu$ s, then the device returns to the read mode. If not all selected sectors are protected, the Embedded Erase algorithm erases the unprotected sectors, and ignores the selected sectors that are protected. However, if the system reads DQ7 at an address within a protected sector, the status may not be valid.

Just prior to the completion of an Embedded Program or Erase operation, DQ7 may change asynchronously with DQ0–DQ6 while Output Enable (OE#) is asserted low. That is, the device may change from providing status information to valid data on DQ7. Depending on when the system samples the DQ7 output, it may read the status or valid data. Even if the device completed the program or erase operation and DQ7 has valid data, the data outputs on DQ0–DQ6 may be still invalid. Valid data on DQ0–DQ7 appears on successive read cycles.

[Table 10.5 on page 59](#) shows the outputs for Data# Polling on DQ7. [Figure 10.5 on page 55](#) shows the Data# Polling algorithm. [Figure 15.8 on page 68](#) shows the Data# Polling timing diagram.

Figure 10.5 Data# Polling Algorithm

**Notes**

1. VA = Valid address for programming. During a sector erase operation, a valid address is any sector address within the sector being erased. During chip erase, a valid address is any non-protected sector address.
2. DQ7 should be rechecked even if DQ5 = 1 because DQ7 may change simultaneously with DQ5.

## 10.12 RY/BY#: Ready/Busy#

The RY/BY# is a dedicated, open-drain output pin which indicates whether an Embedded Algorithm is in progress or complete. The RY/BY# status is valid after the rising edge of the final WE# pulse in the command sequence. Since RY/BY# is an open-drain output, several RY/BY# pins can be tied together in parallel with a pull-up resistor to V<sub>CC</sub>.

If the output is low (Busy), the device is actively erasing or programming. (This includes programming in the Erase Suspend mode.) If the output is high (Ready), the device is in the read mode, the standby mode, or in the erase-suspend-read mode. [Table 10.5 on page 59](#) shows the outputs for RY/BY#.

## 10.13 DQ6: Toggle Bit I

Toggle Bit I on DQ6 indicates whether an Embedded Program or Erase algorithm is in progress or complete, or whether the device entered the Erase Suspend mode. Toggle Bit I may be read at any address, and is valid after the rising edge of the final WE# pulse in the command sequence (prior to the program or erase operation), and during the sector erase time-out.

During an Embedded Program or Erase algorithm operation, successive read cycles to any address cause DQ6 to toggle. The system may use either OE# or CE# to control the read cycles. When the operation is complete, DQ6 stops toggling.

After an erase command sequence is written, if all sectors selected for erasing are protected, DQ6 toggles for approximately 100  $\mu$ s, then returns to reading array data. If not all selected sectors are protected, the Embedded Erase algorithm erases the unprotected sectors, and ignores the selected sectors that are protected.

The system can use DQ6 and DQ2 together to determine whether a sector is actively erasing or is erase-suspended. When the device is actively erasing (that is, the Embedded Erase algorithm is in progress), DQ6 toggles. When the device enters the Erase Suspend mode, DQ6 stops toggling. However, the system must also use DQ2 to determine which sectors are erasing or erase-suspended. Alternatively, the system can use DQ7 (see [DQ7: Data# Polling on page 54](#)).

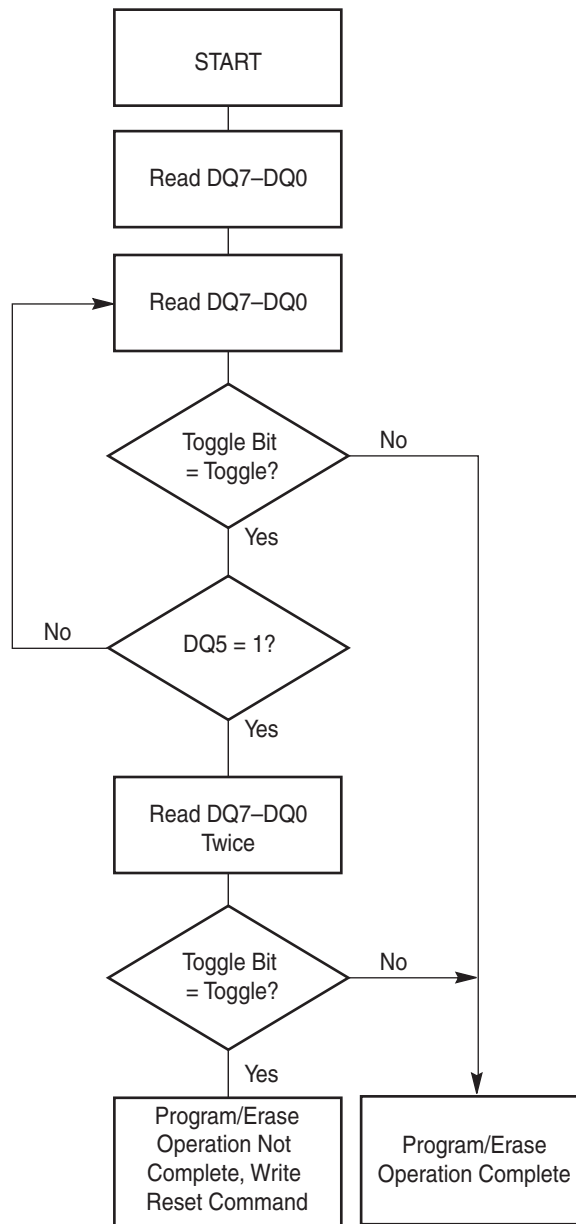
If a program address falls within a protected sector, DQ6 toggles for approximately 1  $\mu$ s after the program command sequence is written, then returns to reading array data.

DQ6 also toggles during the erase-suspend-program mode, and stops toggling once the Embedded Program algorithm is complete.

[Table 10.5 on page 59](#) shows the outputs for Toggle Bit I on DQ6. [Figure 10.6 on page 57](#) shows the toggle bit algorithm. [Figure 15.9 on page 69](#) shows the toggle bit timing diagrams. [Figure 15.10 on page 69](#) shows the differences between DQ2 and DQ6 in graphical form. See also the subsection on [DQ2: Toggle Bit II on page 57](#).



Figure 10.6 Toggle Bit Algorithm

**Note**

The system should recheck the toggle bit even if  $DQ5 = 1$  because the toggle bit may stop toggling as  $DQ5$  changes to 1. See the subsections on  $DQ6$  and  $DQ2$  for more information.

## 10.14 DQ2: Toggle Bit II

The “Toggle Bit II” on  $DQ2$ , when used with  $DQ6$ , indicates whether a particular sector is actively erasing (that is, the Embedded Erase algorithm is in progress), or whether that sector is erase-suspended. Toggle Bit II is valid after the rising edge of the final  $WE\#$  pulse in the command sequence.

$DQ2$  toggles when the system reads at addresses within those sectors that were selected for erasure. (The system may use either  $OE\#$  or  $CE\#$  to control the read cycles.) But  $DQ2$  cannot distinguish whether the sector is actively erasing or is erase-suspended.  $DQ6$ , by comparison, indicates whether the device is actively erasing, or is in Erase Suspend, but cannot distinguish which sectors are selected for erasure. Thus, both status bits are required for sector and mode information. Refer to [Table 10.5 on page 59](#) to compare outputs for  $DQ2$  and  $DQ6$ .

Figure 10.6 on page 57 shows the toggle bit algorithm in flowchart form. Figure 15.9 on page 69 shows the toggle bit timing diagram. Figure 15.10 on page 69 shows the differences between DQ2 and DQ6 in graphical form.

## 10.15 Reading Toggle Bits DQ6/DQ2

Refer to Figure 10.6 on page 57 for the following discussion. Whenever the system initially begins reading toggle bit status, it must read DQ7–DQ0 at least twice in a row to determine whether a toggle bit is toggling. Typically, the system would note and store the value of the toggle bit after the first read. After the second read, the system would compare the new value of the toggle bit with the first. If the toggle bit is not toggling, the device completed the program or erase operation. The system can read array data on DQ7–DQ0 on the following read cycle.

However, if after the initial two read cycles, the system determines that the toggle bit is still toggling, the system also should note whether the value of DQ5 is high (see the section on DQ5). If it is, the system should then determine again whether the toggle bit is toggling, since the toggle bit may have stopped toggling just as DQ5 went high. If the toggle bit is no longer toggling, the device successfully completed the program or erase operation. If it is still toggling, the device did not complete the operation successfully, and the system must write the reset command to return to reading array data.

The remaining scenario is that the system initially determines that the toggle bit is toggling and DQ5 has not gone high. The system may continue to monitor the toggle bit and DQ5 through successive read cycles, determining the status as described in the previous paragraph. Alternatively, it may choose to perform other system tasks. In this case, the system must start at the beginning of the algorithm when it returns to determine the status of the operation (top of Figure 10.6 on page 57).

## 10.16 DQ5: Exceeded Timing Limits

DQ5 indicates whether the program, erase, or write-to-buffer time exceeded a specified internal pulse count limit. Under these conditions DQ5 produces a *1*, indicating that the program or erase cycle was not successfully completed.

The device may output a *1* on DQ5 if the system tries to program a *1* to a location that was previously programmed to *0*. **Only an erase operation can change a *0* back to a *1*.** Under this condition, the device halts the operation, and when the timing limit is exceeded, DQ5 produces a *1*.

In all these cases, the system must write the reset command to return the device to the reading the array (or to erase-suspend-read if the device was previously in the erase-suspend-program mode).

## 10.17 DQ3: Sector Erase Timer

After writing a sector erase command sequence, the system may read DQ3 to determine whether or not erasure began. (The sector erase timer does not apply to the chip erase command.) If additional sectors are selected for erasure, the entire time-out also applies after each additional sector erase command. When the time-out period is complete, DQ3 switches from a *0* to a *1*. If the time between additional sector erase commands from the system can be assumed to be less than 50  $\mu$ s, the system need not monitor DQ3. See also the Sector Erase Command Sequence section.

After the sector erase command is written, the system should read the status of DQ7 (Data# Polling) or DQ6 (Toggle Bit I) to ensure that the device accepted the command sequence, and then read DQ3. If DQ3 is *1*, the Embedded Erase algorithm has begun; all further commands (except Erase Suspend) are ignored until the erase operation is complete. If DQ3 is *0*, the device accepts additional sector erase commands. To ensure the command is accepted, the system software should check the status of DQ3 prior to and following each subsequent sector erase command. If DQ3 is high on the second status check, the last command might not have been accepted.

Table 10.5 on page 59 shows the status of DQ3 relative to the other status bits.

## 10.18 DQ1: Write-to-Buffer Abort

DQ1 indicates whether a Write-to-Buffer operation was aborted. Under these conditions DQ1 produces a 1. The system must issue the Write-to-Buffer-Abort-Reset command sequence to return the device to reading array data. See [Write Buffer on page 18](#) for more details.

**Table 10.5** Write Operation Status

Status			DQ7 (Note 2)	DQ6	DQ5 (Note 1)	DQ3	DQ2 (Note 2)	DQ1	RY/BY#
Standard Mode	Embedded Program Algorithm		DQ7#	Toggle	0	N/A	No toggle	0	0
	Embedded Erase Algorithm		0	Toggle	0	1	Toggle	N/A	0
Program Suspend Mode	Program-Suspend Read	Program-Suspended Sector	Invalid (not allowed)						1
		Non-Program Suspended Sector	Data						1
Erase Suspend Mode	Erase-Suspend Read	Erase-Suspended Sector	1	No toggle	0	N/A	Toggle	N/A	1
		Non-Erase Suspended Sector	Data						1
	Erase-Suspend-Program (Embedded Program)		DQ7#	Toggle	0	N/A	N/A	N/A	0
Write-to-Buffer	Busy (Note 3)		DQ7#	Toggle	0	N/A	N/A	0	0
	Abort (Note 4)		DQ7#	Toggle	0	N/A	N/A	1	0

### Notes

- DQ5 switches to 1 when an Embedded Program, Embedded Erase, or Write-to-Buffer operation exceeded the maximum timing limits. Refer to the section on DQ5 for more information.
- DQ7 and DQ2 require a valid address when reading status information. Refer to the appropriate subsection for further details.
- The Data# Polling algorithm should be used to monitor the last loaded write-buffer address location.
- DQ1 switches to 1 when the device aborts the write-to-buffer operation.

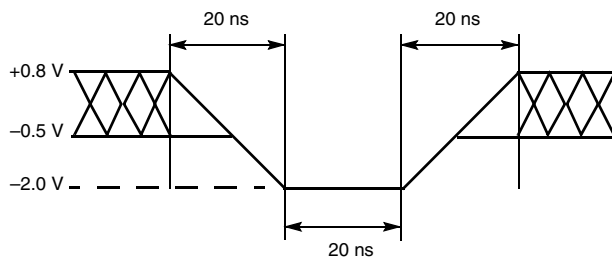
## 11. Absolute Maximum Ratings

Parameter		Rating
Storage Temperature, Plastic Packages		-65°C to +150°C
Ambient Temperature with Power Applied		-65°C to +125°C
Voltage with Respect to Ground	V <sub>CC</sub> (Note 1)	-0.5 V to +4.0 V
	A9, OE#, ACC and RESET# (Note 2)	-0.5 V to +12.5 V
	All other pins (Note 1)	-0.5 V to V <sub>CC</sub> +0.5 V
Output Short Circuit Current	(Note 3)	200 mA

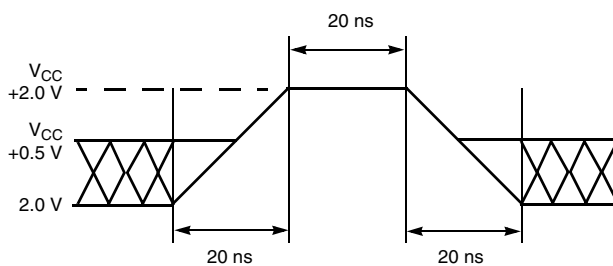
**Notes**

1. Minimum DC voltage on input or I/Os is -0.5 V. During voltage transitions, inputs or I/Os may overshoot V<sub>SS</sub> to -2.0 V for periods of up to 20 ns. See Figure 11.1. Maximum DC voltage on input or I/Os is V<sub>CC</sub> + 0.5 V. During voltage transitions, input or I/O pins may overshoot to V<sub>CC</sub> + 2.0 V for periods up to 20 ns. See Figure 11.2.
2. Minimum DC input voltage on pins A9, OE#, ACC, and RESET# is -0.5 V. During voltage transitions, A9, OE#, ACC, and RESET# may overshoot V<sub>SS</sub> to -2.0 V for periods of up to 20 ns. See Figure 11.1. Maximum DC input voltage on pin A9, OE#, ACC, and RESET# is +12.5 V which may overshoot to +14.0V for periods up to 20 ns.
3. No more than one output may be shorted to ground at a time. Duration of the short circuit should not be greater than one second.
4. Stresses above those listed under Absolute Maximum Ratings may cause permanent damage to the device. This is a stress rating only; functional operation of the device at these or any other conditions above those indicated in the operational sections of this data sheet is not implied. Exposure of the device to absolute maximum rating conditions for extended periods may affect device reliability.

**Figure 11.1** Maximum Negative Overshoot Waveform



**Figure 11.2** Maximum Positive Overshoot Waveform



## 12. Operating Ranges

Parameter		Range
Ambient Temperature (T <sub>A</sub> ), Industrial (I) Devices		-40°C to +85°C
Supply Voltages	V <sub>CC</sub> for full voltage range	+2.7 V to +3.6 V
	V <sub>IO</sub>	+1.65 to +3.6 V

**Notes**

1. Operating ranges define those limits between which the functionality of the device is guaranteed.
2. V<sub>IO</sub> input voltage always must be lower than V<sub>CC</sub> input voltage.

## 13. DC Characteristics

Table 13.1 DC Characteristics, CMOS Compatible

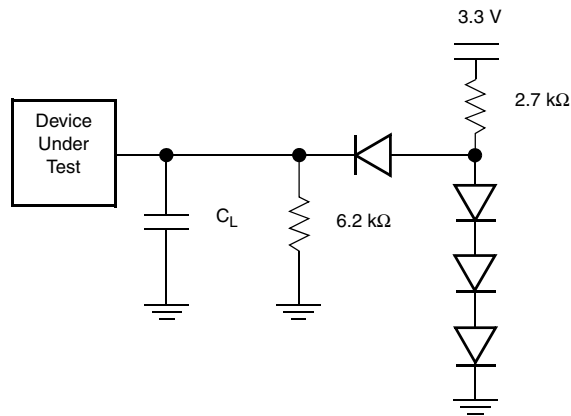
Parameter Symbol	Parameter Description (Notes)	Test Conditions	Min	Typ	Max	Unit		
$I_{LI}$	Input Load Current (Note 1)	$V_{IN} = V_{SS}$ to $V_{CC}$ , $V_{CC} = V_{CC\ max}$			#WP/ACC: $\pm 2.0\ \mu A$	$\mu A$		
					Others: $\pm 1.0\ \mu A$			
$I_{LIT}$	A9 Input Load Current	$V_{CC} = V_{CC\ max}$ ; A9 = 12.5 V			35	$\mu A$		
$I_{LO}$	Output Leakage Current	$V_{OUT} = V_{SS}$ to $V_{CC}$ ; $V_{CC} = V_{CC\ max}$			$\pm 1.0$	$\mu A$		
$I_{CC1}$	$V_{CC}$ Initial Read Current (Note 1)	CE# = $V_{IL}$ , OE# = $V_{IH}$ , $V_{CC} = V_{CC\ max}$ , f = 1 MHz		6	10	$mA$		
					CE# = $V_{IL}$ , OE# = $V_{IH}$ , $V_{CC} = V_{CC\ max}$ , f = 5 MHz		25	30
					CE# = $V_{IL}$ , OE# = $V_{IH}$ , $V_{CC} = V_{CC\ max}$ , f = 10 MHz		45	50
$I_{CC2}$	$V_{CC}$ Intra-Page Read Current (Note 1)	CE# = $V_{IL}$ , OE# = $V_{IH}$ , $V_{CC} = V_{CC\ max}$ f = 10 MHz		1	10	$mA$		
					CE# = $V_{IL}$ , OE# = $V_{IH}$ , $V_{CC} = V_{CC\ max}$ f = 33 MHz		5	20
$I_{CC3}$	$V_{CC}$ Active Erase/Program Current (Notes 2, 3)	CE# = $V_{IL}$ , OE# = $V_{IH}$ , $V_{CC} = V_{CC\ max}$		50	60	$mA$		
$I_{CC4}$	$V_{CC}$ Standby Current	$V_{CC} = V_{CC\ max}$ ; $V_{IO} = V_{CC}$ ; OE# = $V_{IH}$ ; $V_{IL} = (V_{SS} + 0.3V) / -0.1V$ ; CE#, RESET# = $V_{CC} \pm 0.3V$		1	5	$\mu A$		
$I_{CC5}$	$V_{CC}$ Reset Current	$V_{CC} = V_{CC\ max}$ ; $V_{IO} = V_{CC}$ ; $V_{IL} = (V_{SS} + 0.3V) / -0.1V$ ; RESET# = $V_{SS} \pm 0.3V$		1	5	$\mu A$		
$I_{CC6}$	Automatic Sleep Mode (Note 4)	$V_{CC} = V_{CC\ max}$ ; $V_{IO} = V_{CC}$ ; $V_{IH} = V_{CC} \pm 0.3V$ ; $V_{IL} = (V_{SS} + 0.3V) / -0.1V$ ; WP#/ACC = $V_{IH}$		1	5	$\mu A$		
$I_{ACC}$	ACC Accelerated Program Current	CE# = $V_{IL}$ , OE# = $V_{IH}$ , $V_{CC} = V_{CC\ max}$ , WP#/ACC = $V_{IH}$	WP#/ ACC	10	20	$mA$		
			$V_{CC}$	50	60	$mA$		
$V_{IL}$	Input Low Voltage 1 (Note 5)		-0.1		$0.3 \times V_{IO}$	V		
$V_{IH}$	Input High Voltage 1 (Note 5)		$0.7 V_{IO}$		$V_{IO} + 0.3$	V		
$V_{HH}$	Voltage for ACC Erase/Program Acceleration	$V_{CC} = 2.7 - 3.6V$	11.5		12.5	V		
$V_{ID}$	Voltage for Autoselect and Temporary Sector Unprotect	$V_{CC} = 2.7 - 3.6V$	11.5		12.5	V		
$V_{OL}$	Output Low Voltage (Note 5)	$I_{OL} = 100\ \mu A$			$0.15 \times V_{IO}$	V		
$V_{OH1}$	Output High Voltage (Note 5)	$I_{OH} = -100\ \mu A$	0.85 $V_{IO}$			V		
$V_{OH2}$								
$V_{LKO}$	Low $V_{CC}$ Lock-Out Voltage (Note 3)		2.3		2.5	V		

### Notes

- $I_{CC}$  current listed is typically less than 2 mA/MHz, with OE# at  $V_{IH}$ .
- $I_{CC}$  active while Embedded Erase, Embedded Program, or Write Buffer Programming is in progress.
- Not 100% tested.
- Automatic sleep mode enables the low power mode when addresses remain stable for  $t_{ACC} + 30\ ns$ .
- $V_{IO} = 1.65 - 1.95V$  or  $2.7 - 3.6V$ .
- $V_{CC} = 3V$  and  $V_{IO} = 3V$  or  $1.8V$ . When  $V_{IO}$  is at  $1.8V$ , I/Os cannot operate at  $3V$ .

## 14. Test Conditions

Figure 14.1 Test Setup



**Note**  
Diodes are IN3064 or equivalent.

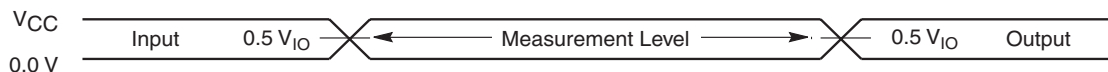
Table 14.1 Test Specifications

Test Condition	All Speeds	Unit
Output Load	1 TTL gate	
Output Load Capacitance, $C_L$ (including jig capacitance)	30	pF
Input Rise and Fall Times	5	ns
Input Pulse Levels	0.0 or $V_{IO}$	V
Input timing measurement reference levels	$0.5 V_{IO}$	V
Output timing measurement reference levels	$0.5 V_{IO}$	V

### 14.1 Key to Switching Waveforms

Waveform	Inputs	Outputs
	Steady	
	Changing from H to L	
	Changing from L to H	
	Don't Care, Any Change Permitted	Changing, State Unknown
	Does Not Apply	Center Line is High Impedance State (High Z)

Figure 14.2 Input Waveforms and Measurement Levels



## 15. AC Characteristics

Table 15.1 Read-Only Operations

Parameter		Description	Test Setup	Speed Options			Unit	
JEDEC	Std.			70	90	110		
$t_{AVAV}$	$t_{RC}$	Read Cycle Time (Note 1)	Min	70	90	110	ns	
$t_{AVQV}$	$t_{ACC}$	Address to Output Delay	CE#, OE# = $V_{IL}$	Max	70	90	110	ns
$t_{ELQV}$	$t_{CE}$	Chip Enable to Output Delay	OE# = $V_{IL}$	Max	70	90	110	ns
	$t_{PACC}$	Page Access Time	$V_{IO} = V_{CC} = 3\text{ V}$	Max	25	25	25	ns
			$V_{IO} = 1.8\text{ V}, V_{CC} = 3\text{ V}$		—	—	30	
$t_{GLQV}$	$t_{OE}$	Output Enable to Output Delay	$V_{IO} = V_{CC} = 3\text{ V}$	Max	25	25	25	ns
			$V_{IO} = 1.8\text{ V}, V_{CC} = 3\text{ V}$		—	—	30	
$t_{EHQZ}$	$t_{DF}$	Chip Enable to Output High Z (Note 1)	Max	20			ns	
$t_{GHQZ}$	$t_{DF}$	Output Enable to Output High Z (Note 1)	Max	20			ns	
$t_{AXQX}$	$t_{OH}$	Output Hold Time From Addresses, CE# or OE#, Whichever Occurs First	Min	0			ns	
	$t_{OEh}$	Output Enable Hold Time (Note 1)	Read	Min	0			ns
		Toggle and Data# Polling	Min	10			ns	

### Notes

1. Not 100% tested.
2. See Figure 14.1 on page 62 and Table 14.1 on page 62 for test specifications.

Figure 15.1  $V_{CC}$  Power-up Diagram

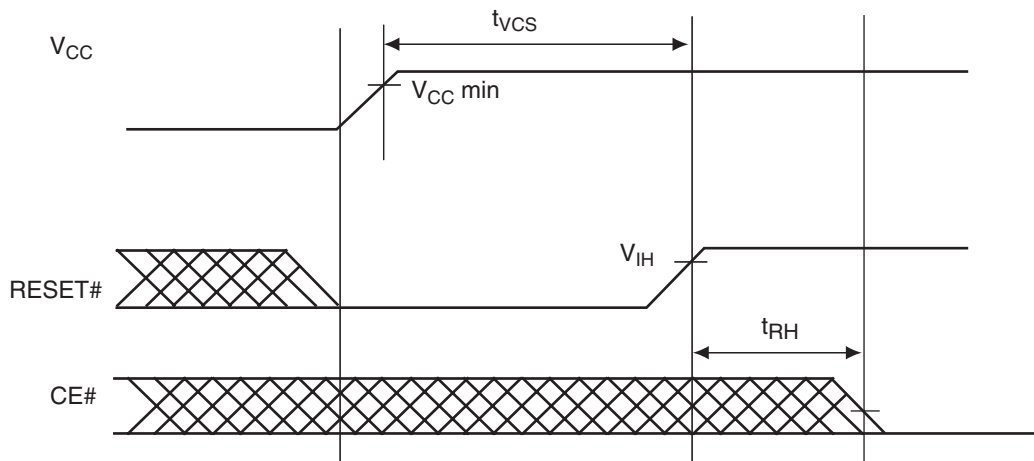


Figure 15.2 Read Operation Timings

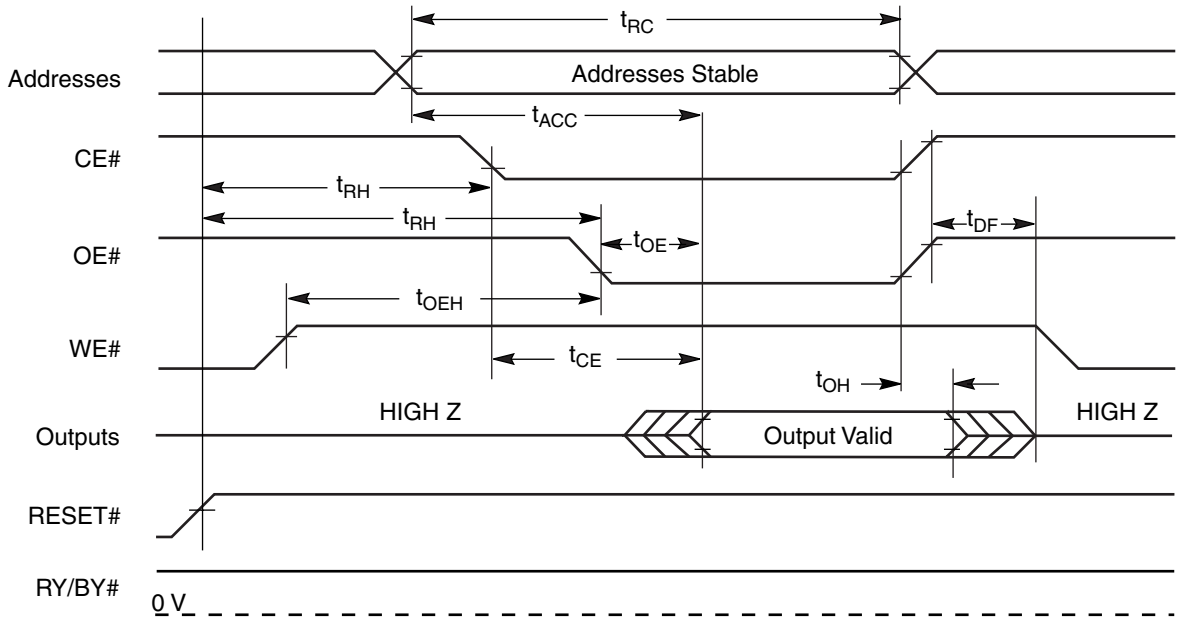
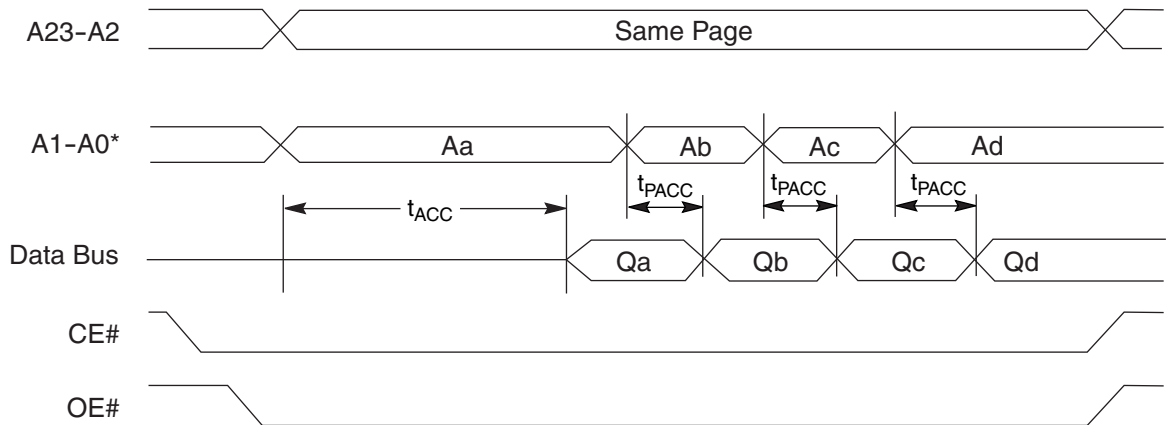


Figure 15.3 Page Read Timings



**Note**

\* Figure shows device in word mode. Addresses are A1-A-1 for byte mode.

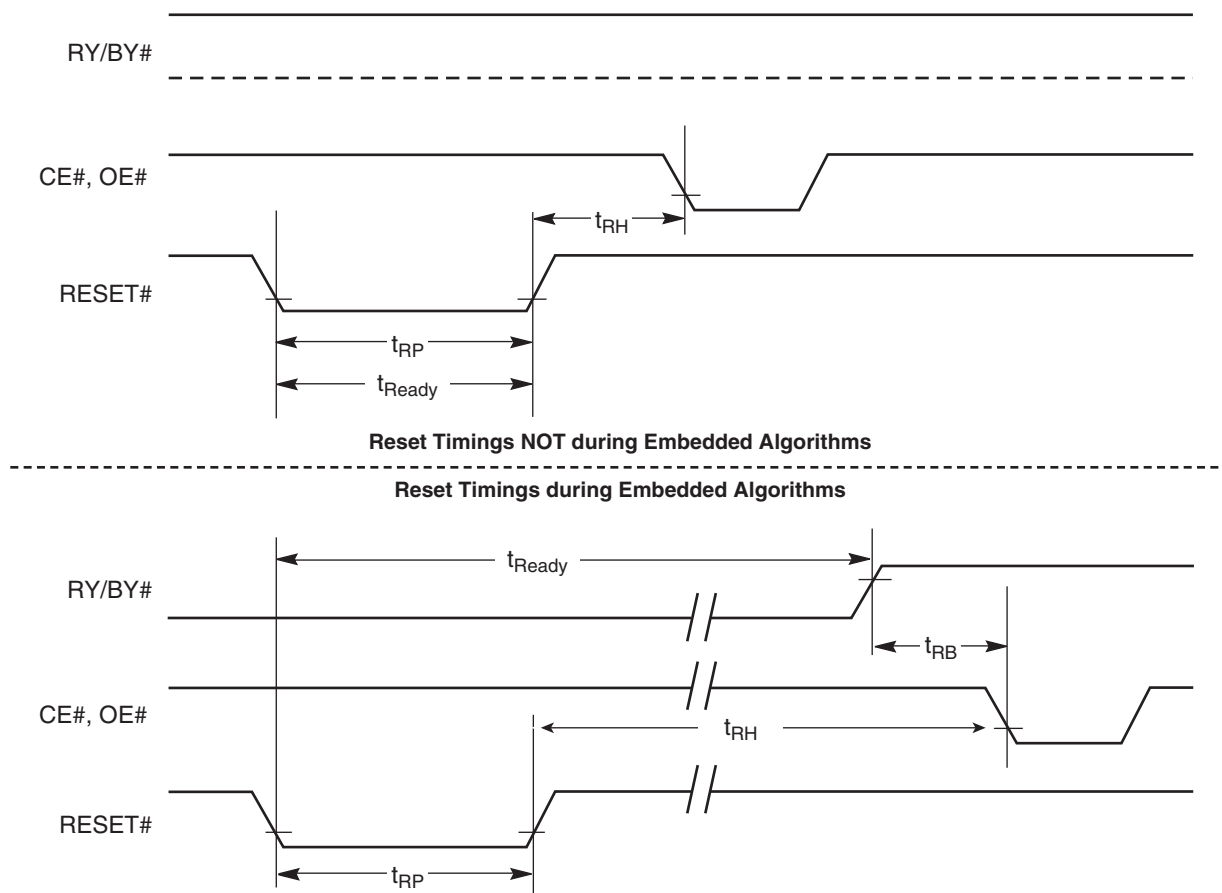


**Table 15.2** Hardware Reset (RESET#)

Parameter		Description		All Speed Options	Unit
JEDEC	Std.				
	$t_{Ready}$	RESET# Pin Low (During Embedded Algorithms) to Read Mode (See Note)	Max	20	$\mu s$
	$t_{Ready}$	RESET# Pin Low (NOT During Embedded Algorithms) to Read Mode (See Note)	Max	500	ns
	$t_{RP}$	RESET# Pulse Width	Min	500	ns
	$t_{RH}$	Reset High Time Before Read (See Note)	Min	50	ns
	$t_{RPD}$	RESET# Input Low to Standby Mode (See Note)	Min	20	$\mu s$
	$t_{RB}$	RY/BY# Output High to CE#, OE# pin Low	Min	0	ns

**Note**  
Not 100% tested.

**Figure 15.4** Reset Timings



- Notes**
1. Not 100% tested.
  2. See the [Erase And Programming Performance on page 73](#) for more information.
  3. For 1–16 words/1–32 bytes programmed.

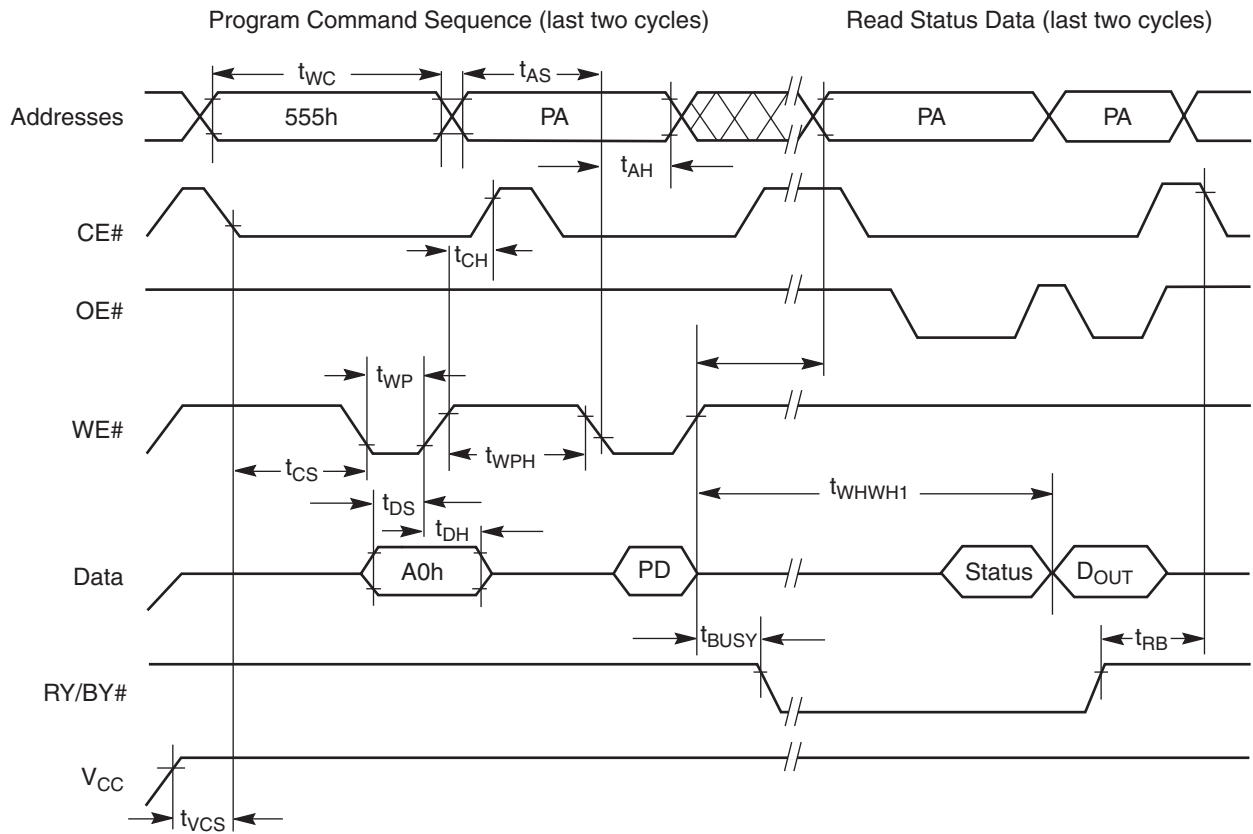
**Table 15.3** Erase and Program Operations

Parameter		Description		Speed Options			Unit
JEDEC	Std.			70	90	110	
$t_{AVAV}$	$t_{WC}$	Write Cycle Time (Note 1)	Min	70	90	110	ns
$t_{AVWL}$	$t_{AS}$	Address Setup Time	Min	0			ns
	$t_{ASO}$	Address Setup Time to OE# low during toggle bit polling	Min	15			ns
$t_{WLAX}$	$t_{AH}$	Address Hold Time	Min	45			ns
	$t_{AHT}$	Address Hold Time From CE# or OE# high during toggle bit polling	Min	0			ns
$t_{DVWH}$	$t_{DS}$	Data Setup Time	Min	45			ns
$t_{WHDX}$	$t_{DH}$	Data Hold Time	Min	0			ns
	$t_{CEPH}$	CE# High during toggle bit polling	Min	20			ns
	$t_{OEPH}$	OE# High during toggle bit polling	Min	20			ns
$t_{GHWL}$	$t_{GHWL}$	Read Recovery Time Before Write (OE# High to WE# Low)	Min	0			ns
$t_{ELWL}$	$t_{CS}$	CE# Setup Time	Min	0			ns
$t_{WHEH}$	$t_{CH}$	CE# Hold Time	Min	0			ns
$t_{WLWH}$	$t_{WP}$	Write Pulse Width	Min	35			ns
$t_{WHDL}$	$t_{WPH}$	Write Pulse Width High	Min	30			ns
$t_{WHWH1}$	$t_{WHWH1}$	Write Buffer Program Operation (Notes 2, 3)	Typ	240			$\mu$ s
		Single Word Program Operation (Note 2)	Typ	60			
		Accelerated Single Word Program Operation (Note 2)	Typ	54			
$t_{WHWH2}$	$t_{WHWH2}$	Sector Erase Operation (Note 2)	Typ	0.5			sec
	$t_{VHH}$	$V_{HH}$ Rise and Fall Time (Note 1)	Min	250			ns
	$t_{VCS}$	$V_{CC}$ Setup Time (Note 1)	Min	50			$\mu$ s
	$t_{BUSY}$	WE# High to RY/BY# Low	Min	70	90	110	ns

**Notes**

1. Not 100% tested.
2. See the [Erase And Programming Performance on page 73](#) for more information.
3. For 1–16 words/1–32 bytes programmed.
4. If a program suspend command is issued within  $t_{POLL}$ , the device requires  $t_{POLL}$  before reading status data, once programming resumes (that is, the program resume command is written). If the suspend command was issued after  $t_{POLL}$ , status data is available immediately after programming resumes. See [Figure 15.5 on page 67](#).

**Figure 15.5** Program Operation Timings



**Notes**

1. PA = program address, PD = program data, D<sub>OUT</sub> is the true data at the program address.
2. Illustration shows device in word mode.

**Figure 15.6** Accelerated Program Timing Diagram

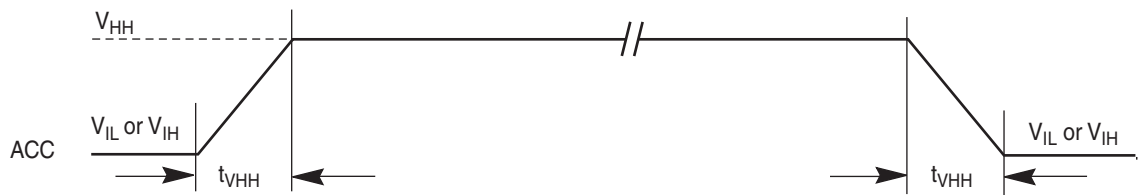
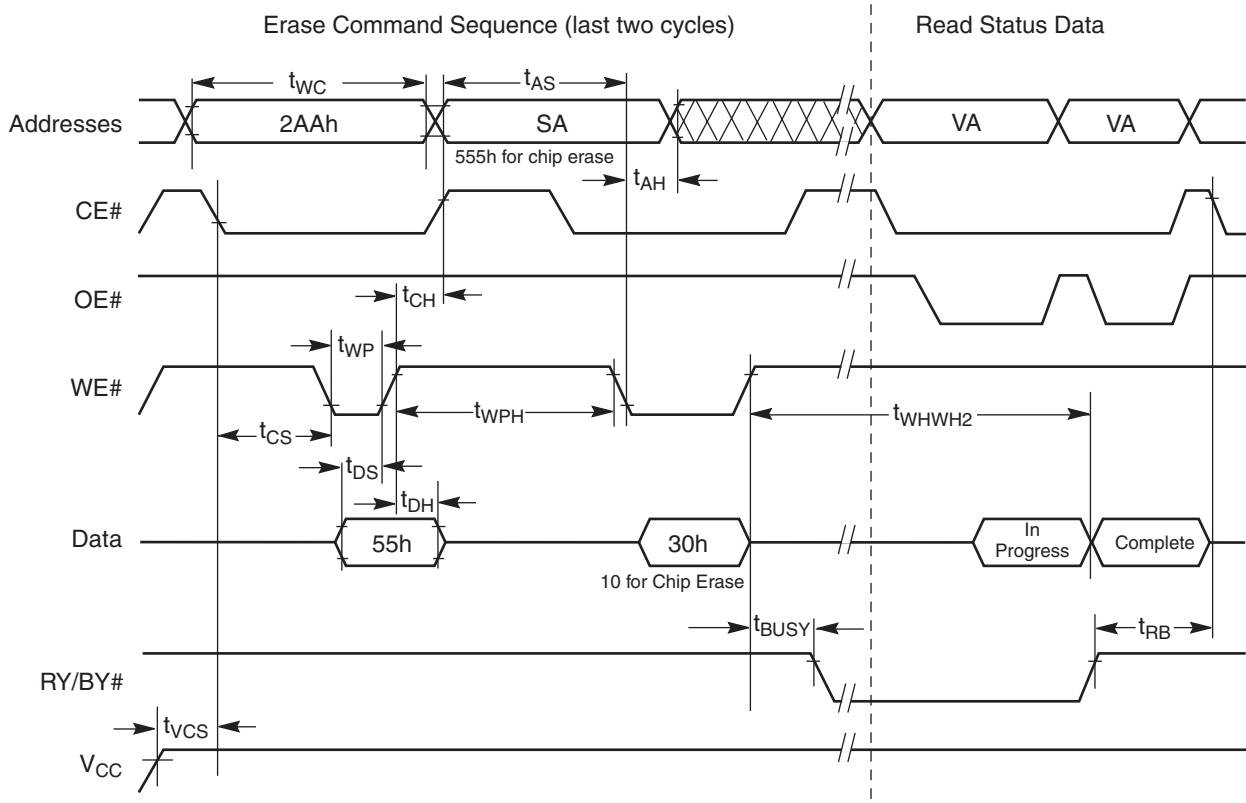


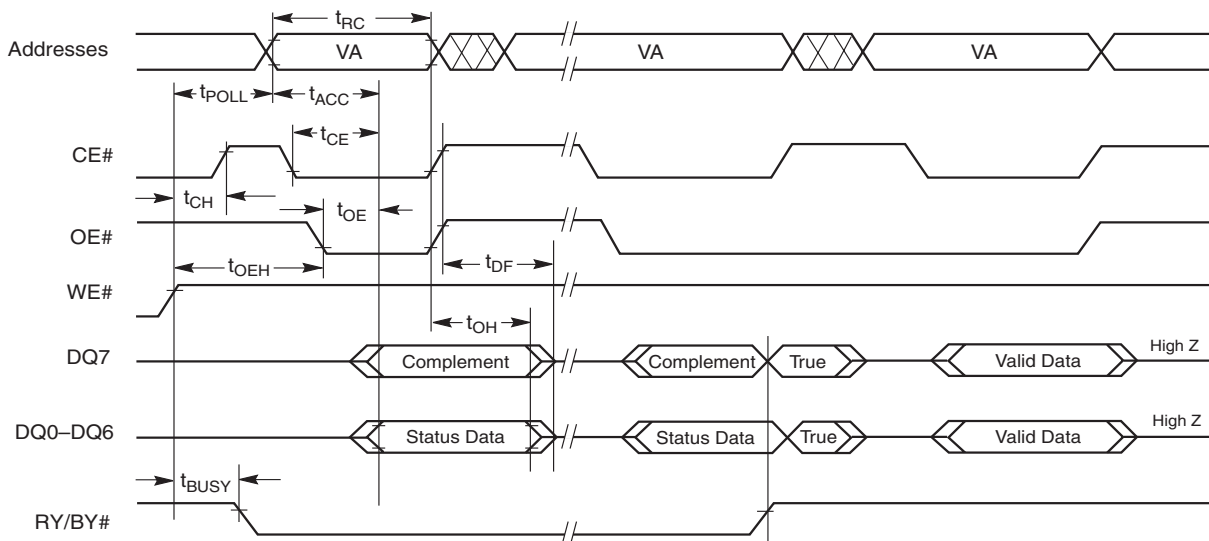
Figure 15.7 Chip/Sector Erase Operation Timings



**Notes**

1. SA = sector address (for Sector Erase), VA = Valid Address for reading status data (see [Write Operation Status on page 54.](#))
2. Illustration shows device in word mode.

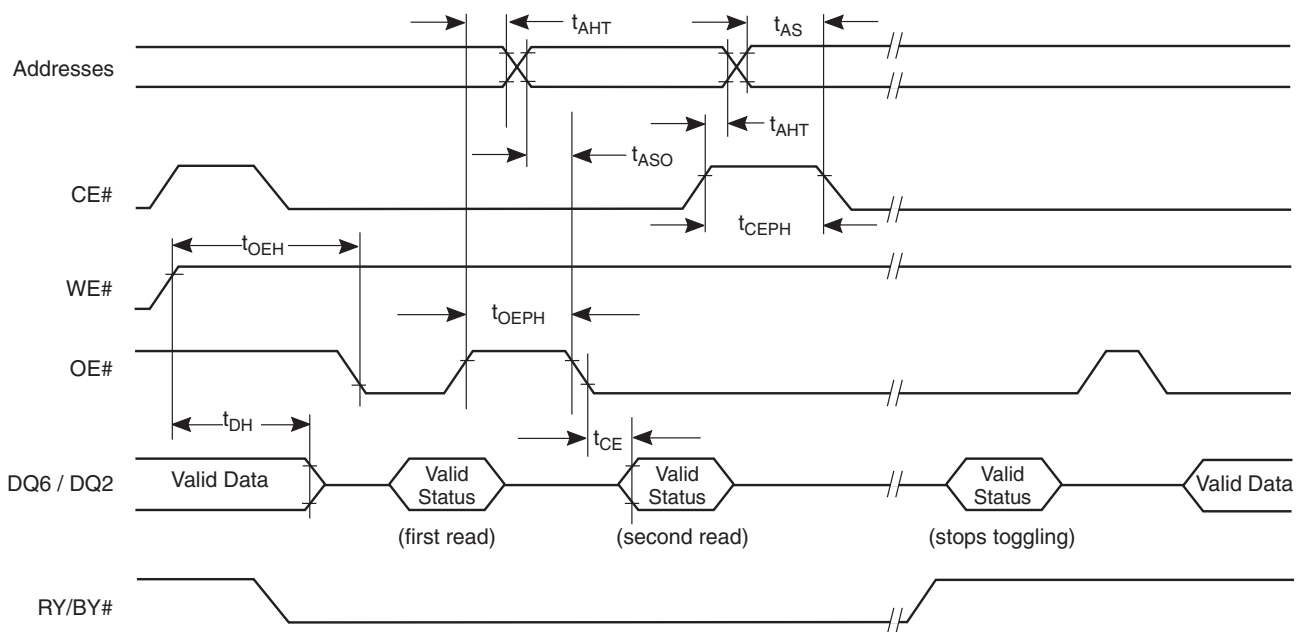
Figure 15.8 Data# Polling Timings (During Embedded Algorithms)



**Note**

VA = Valid address. Illustration shows first status cycle after command sequence, last status read cycle, and array data read cycle.

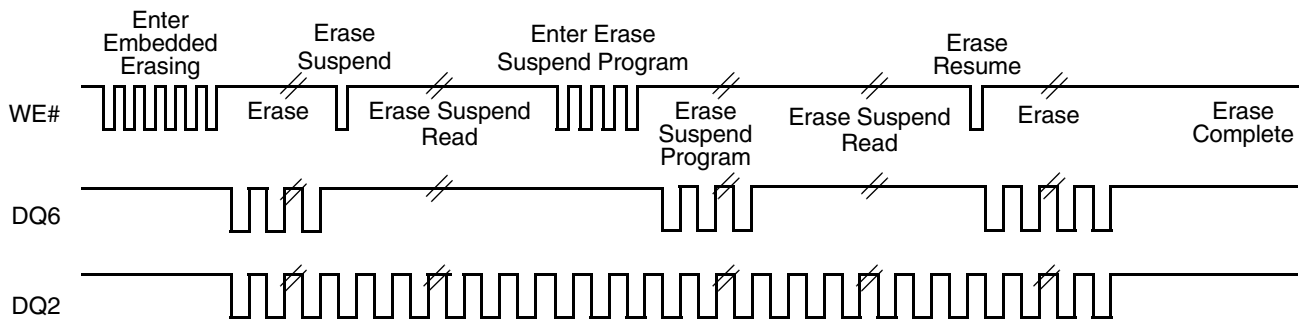
Figure 15.9 Toggle Bit Timings (During Embedded Algorithms)



**Note**

VA = Valid address; not required for DQ6. Illustration shows first two status cycle after command sequence, last status read cycle, and array data read cycle.

Figure 15.10 DQ2 vs. DQ6



**Note**

DQ2 toggles only when read at an address within an erase-suspended sector. The system may use OE# or CE# to toggle DQ2 and DQ6.

Figure 15.11 Temporary Sector Unprotect Timing Diagram

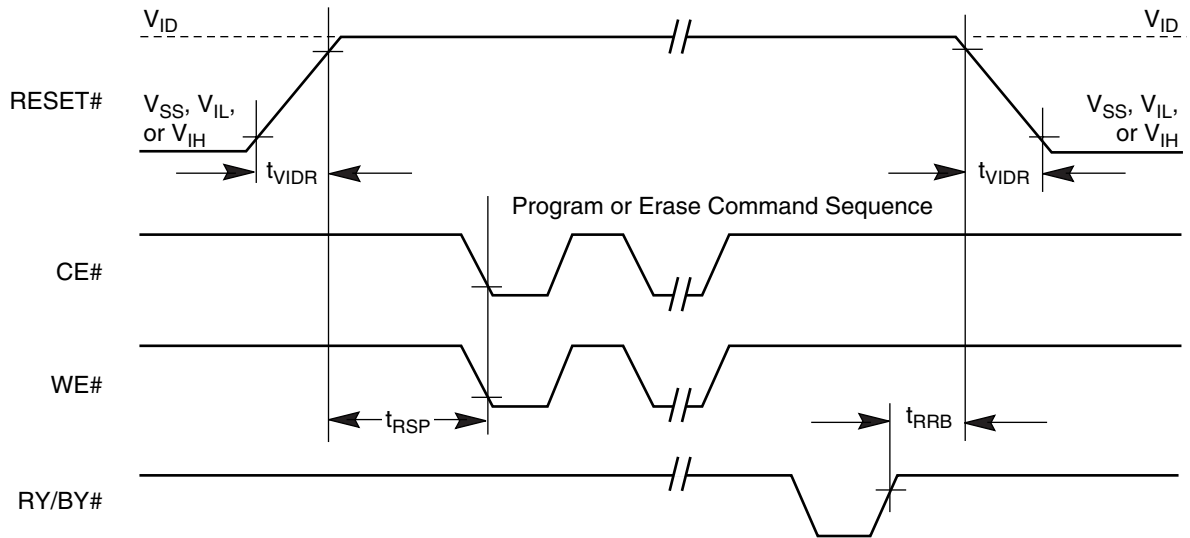
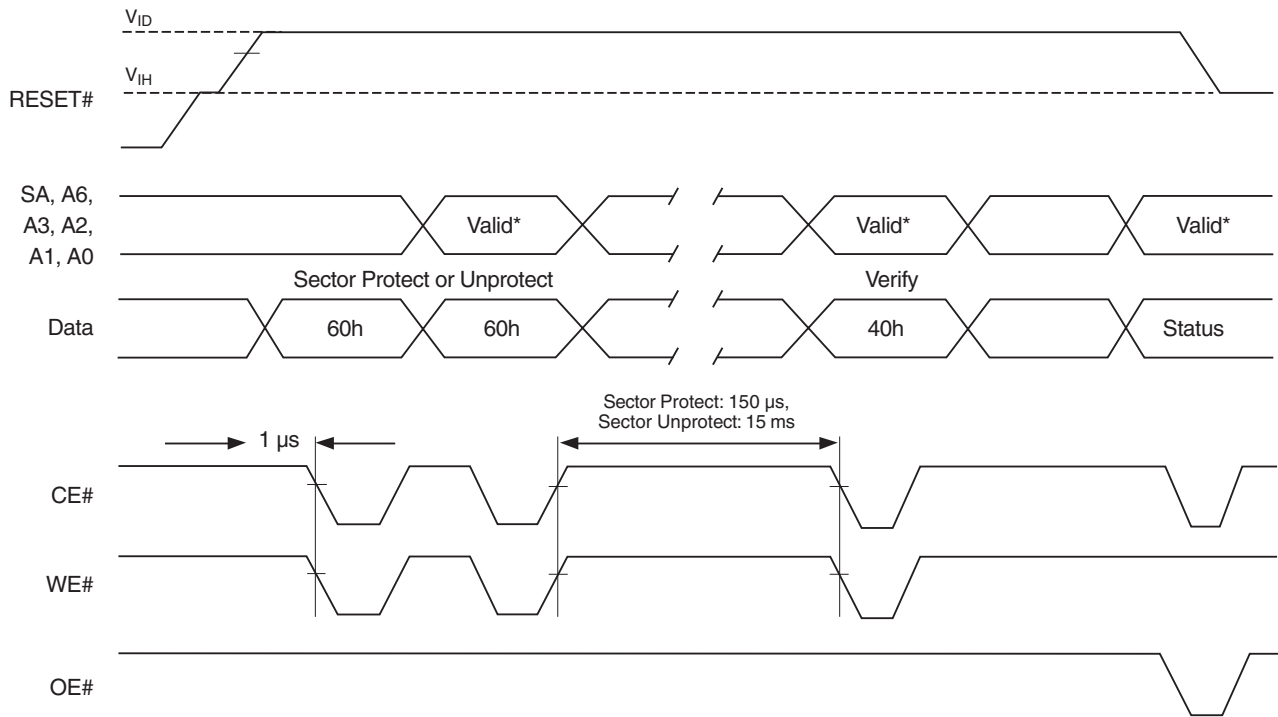


Figure 15.12 Sector Protect and Unprotect Timing Diagram



**Note**  
 For sector protect, A6:A0 = 0xx0010. For sector unprotect, A6:A0 = 1xx0010.

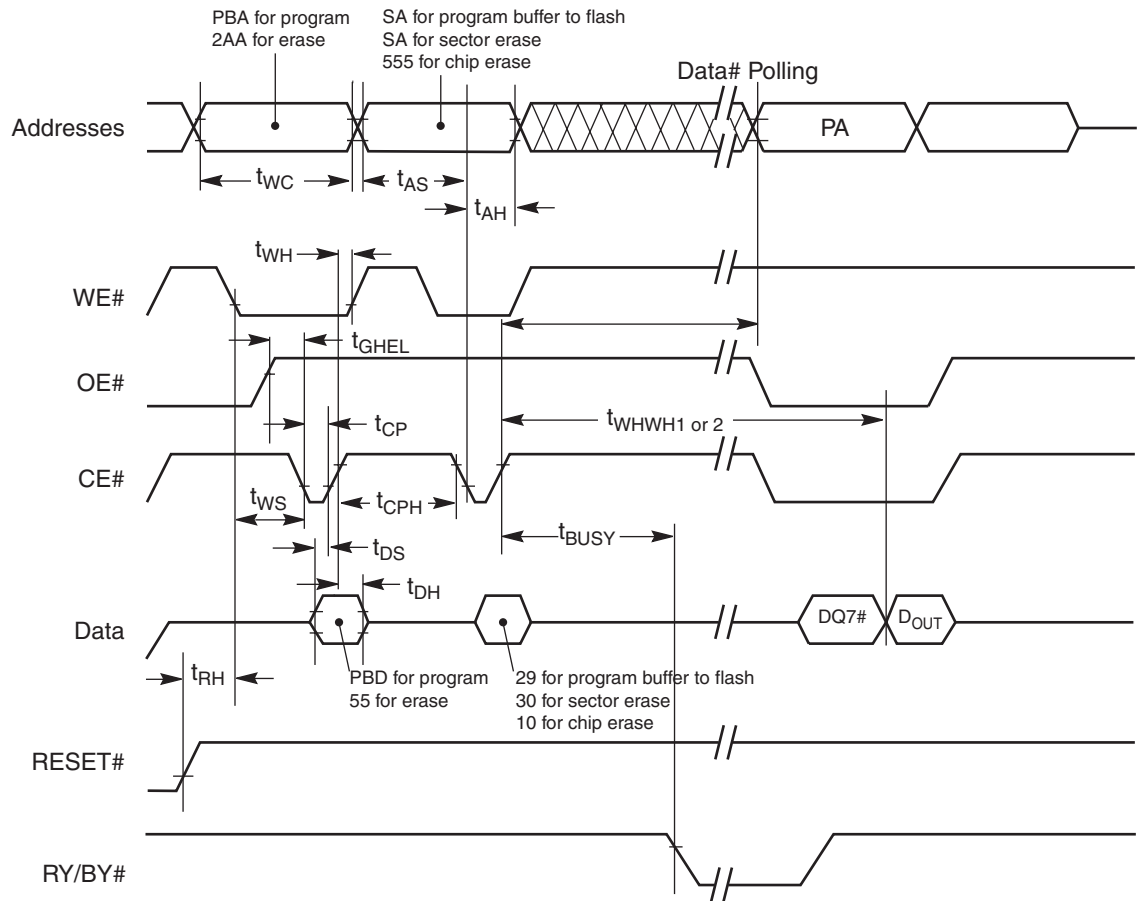
Table 15.4 Alternate CE# Controlled Erase and Program Operations

Parameter		Description		Speed Options			Unit
JEDEC	Std.			70	90	110	
$t_{AVAV}$	$t_{WC}$	Write Cycle Time (Note 1)	Min	70	90	110	ns
$t_{AVWL}$	$t_{AS}$	Address Setup Time	Min	0			ns
$t_{ELAX}$	$t_{AH}$	Address Hold Time	Min	45			ns
$t_{DVEH}$	$t_{DS}$	Data Setup Time	Min	45			ns
$t_{EHDX}$	$t_{DH}$	Data Hold Time	Min	0			ns
$t_{GHLEL}$	$t_{GHLEL}$	Read Recovery Time Before Write (OE# High to WE# Low)	Min	0			ns
$t_{WLEL}$	$t_{WS}$	WE# Setup Time	Min	0			ns
$t_{EHWL}$	$t_{WH}$	WE# Hold Time	Min	0			ns
$t_{ELEH}$	$t_{CP}$	CE# Pulse Width	Min	35			ns
$t_{EHEL}$	$t_{CPH}$	CE# Pulse Width High	Min	30			ns
$t_{WHWH1}$	$t_{WHWH1}$	Write Buffer Program Operation (Notes 2, 3)	Typ	240			$\mu$ s
		Single Word Program Operation (Note 2)	Typ	60			
		Accelerated Single Word Program Operation (Note 2)	Typ	54			
$t_{WHWH2}$	$t_{WHWH2}$	Sector Erase Operation (Note 2)	Typ	0.5			sec
	$t_{RH}$	RESET# High Time Before Write	Min	50			ns

**Notes**

1. Not 100% tested.
2. See the [Erase And Programming Performance on page 73](#) for more information.
3. For 1–16 words/1–32 bytes programmed.
4. If a program suspend command is issued within  $t_{POLL}$ , the device requires  $t_{POLL}$  before reading status data, once programming resumes (that is, the program resume command is written). If the suspend command was issued after  $t_{POLL}$ , status data is available immediately after programming resumes. See [Figure 15.13 on page 72](#).

Figure 15.13 Alternate CE# Controlled Write (Erase/Program) Operation Timings



**Notes**

1. Figure indicates last two bus cycles of a program or erase operation.
2. PA = program address, SA = sector address, PD = program data.
3.  $D_{Q7\#}$  is the complement of the data written to the device.  $D_{OUT}$  is the data written to the device.
4. Illustration shows device in word mode.



## 16. Erase And Programming Performance

Parameter		Typ (Note 1)	Max (Note 2)	Unit	Comments
Sector Erase Time		0.5	3.5	sec	Excludes 00h programming prior to erasure (Note 6)
Chip Erase Time	S29GL032N	32	64		
	S29GL064N	64	128		
Total Write Buffer Program Time (Notes 3, 5)		240		µs	Excludes system level overhead (Note 7)
Total Accelerated Effective Write Buffer Program Time (Notes 4, 5)		200			
Chip Program Time	S29GL032N	31.5		sec	
	S29GL064N	63			

### Notes

1. Typical program and erase times assume the following conditions: 25°C,  $V_{CC} = 3.0V$ , 10,000 cycles; checkerboard data pattern.
2. Under worst case conditions of 90°C; Worst case  $V_{CC}$ , 100,000 cycles.
3. Programming time (typ) is 15 µs (per word), 7.5 µs (per byte).
4. Accelerated programming time (typ) is 12.5 µs (per word), 6.3 µs (per byte).
5. Write buffer Programming time is calculated on a per-word/per-byte basis for a 16-word/32-byte write buffer operation.
6. In the pre-programming step of the Embedded Erase algorithm, all bits are programmed to 00h before erasure.
7. System-level overhead is the time required to execute the command sequence(s) for the program command. See [Table 10.1 on page 50](#) and [Table 10.3 on page 52](#) for further information on command definitions.

**Table 16.1** TSOP Pin and BGA Package Capacitance

Parameter Symbol	Parameter Description	Test Setup	Typ	Max	Unit	
$C_{IN}$	Input Capacitance	$V_{IN} = 0$	TSOP	6	10	pF
			BGA	TBD	TBD	pF
$C_{OUT}$	Output Capacitance	$V_{OUT} = 0$	TSOP	6	12	pF
			BGA	TBD	TBD	pF
$C_{IN2}$	Control Pin Capacitance	$V_{IN} = 0$	TSOP	6	10	pF
			BGA	TBD	TBD	pF
$C_{IN3}$	#RESET, #WP/ACC Pin Capacitance	$V_{IN} = 0$	TSOP	27	30	pF
			BGA	TBD	TBD	pF

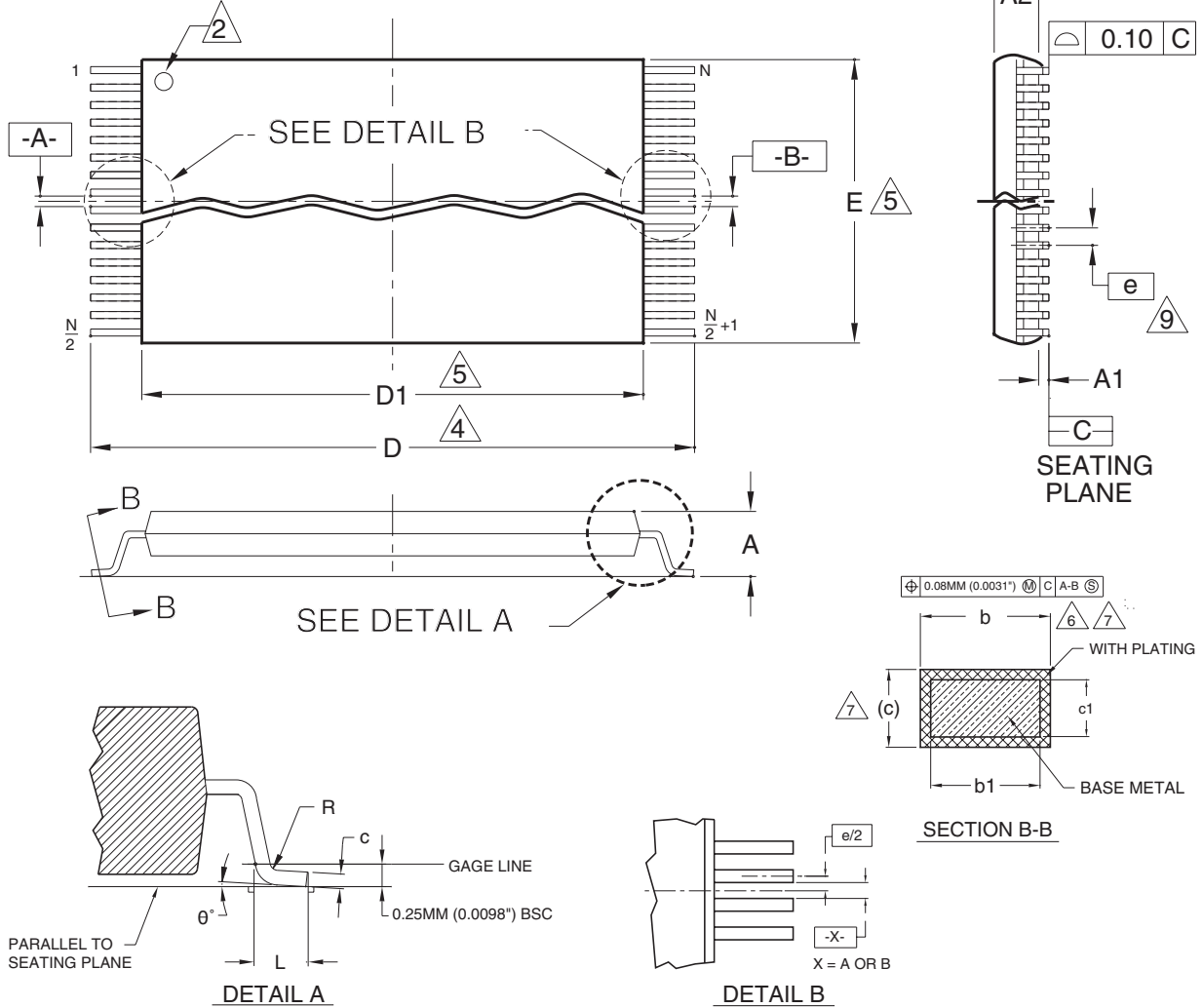
### Notes

1. Sampled, not 100% tested.
2. Test conditions  $T_A = 25^\circ C$ ,  $f = 1.0$  MHz.

## 17. Physical Dimensions

### 17.1 TS048—48-Pin Standard Thin Small Outline Package (TSOP)

#### STANDARD PIN OUT (TOP VIEW)



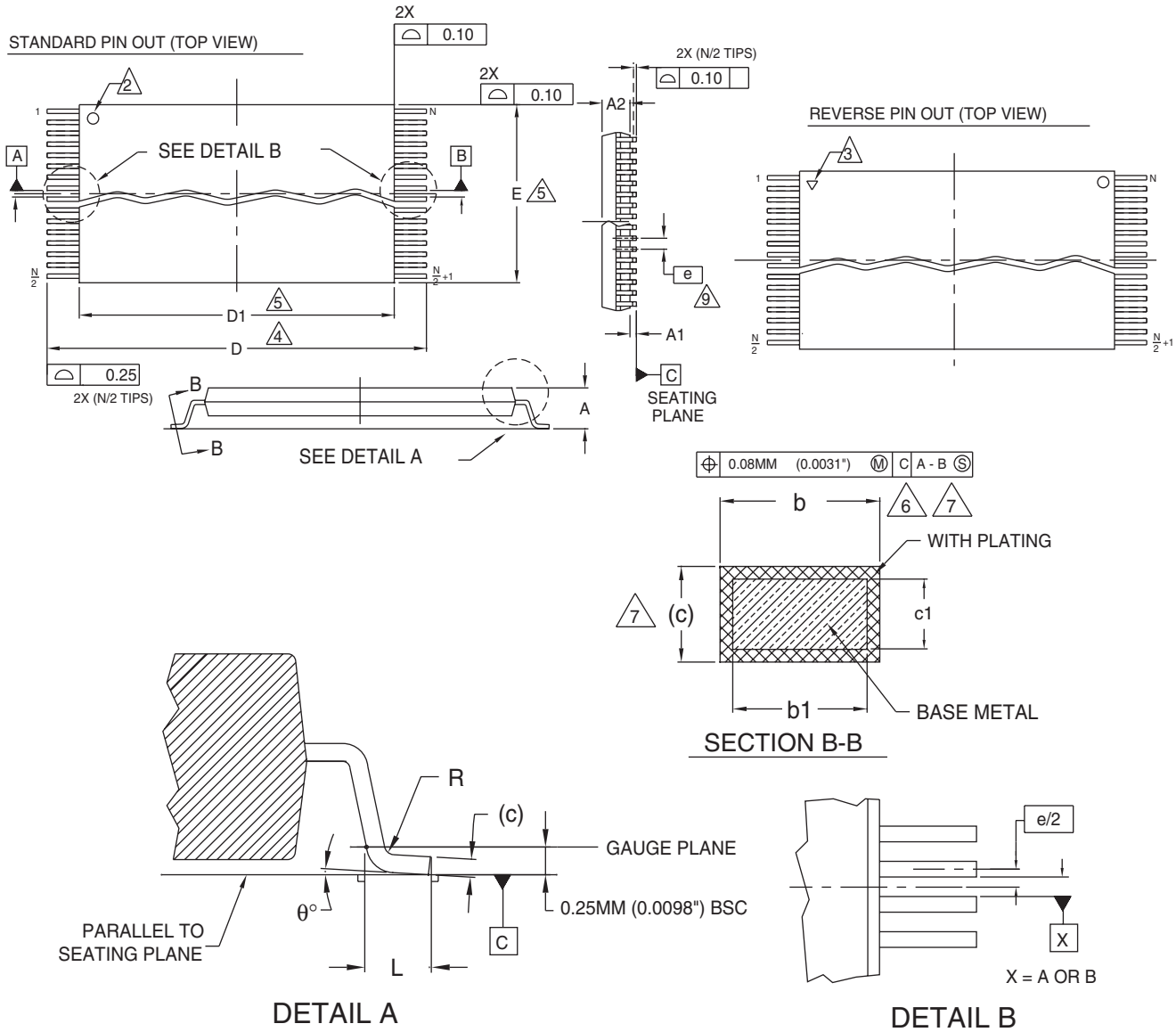
Package	TS 048		
Jedec	MO-142 (B) EC		
Symbol	MIN	NOM	MAX
A	—	—	1.20
A1	0.05	—	0.15
A2	0.95	1.00	1.05
b1	0.17	0.20	0.23
b	0.17	0.22	0.27
c1	0.10	—	0.16
c	0.10	—	0.21
D	19.80	20.00	20.20
D1	18.30	18.40	18.50
E	11.90	12.00	12.10
e	0.50 BASIC		
L	0.50	0.60	0.70
0	0°	3°	5°
R	0.08	—	0.20
N	48		

NOTES:

- ① CONTROLLING DIMENSIONS ARE IN MILLIMETERS (MM). (DIMENSIONING AND TOLERANCING CONFORMS TO ANSI Y14.5M-1982)
- ② PIN 1 IDENTIFIER FOR STANDARD PIN OUT (DIE UP).
- ③ NOT APPLICABLE.
- ④ TO BE DETERMINED AT THE SEATING PLANE [C]. THE SEATING PLANE IS DEFINED AS THE PLANE OF CONTACT THAT IS MADE WHEN THE PACKAGE LEADS ARE ALLOWED TO REST FREELY ON A FLAT HORIZONTAL SURFACE.
- ⑤ DIMENSIONS D1 AND E DO NOT INCLUDE MOLD PROTRUSION. ALLOWABLE MOLD PROTRUSION IS 0.15MM (.0059") PER SIDE.
- ⑥ DIMENSION b DOES NOT INCLUDE DAMBAR PROTUSION. ALLOWABLE DAMBAR PROTUSION SHALL BE 0.08 (0.0031") TOTAL IN EXCESS OF b DIMENSION AT MAX. MATERIAL CONDITION. MINIMUM SPACE BETWEEN PROTUSION AND AN ADJACENT LEAD TO BE 0.07 (0.0028").
- ⑦ THESE DIMENSIONS APPLY TO THE FLAT SECTION OF THE LEAD BETWEEN 0.10MM (.0039") AND 0.25MM (0.0098") FROM THE LEAD TIP.
- ⑧ LEAD COPLANARITY SHALL BE WITHIN 0.10MM (0.004") AS MEASURED FROM THE SEATING PLANE.
- ⑨ DIMENSION "e" IS MEASURED AT THE CENTERLINE OF THE LEADS.

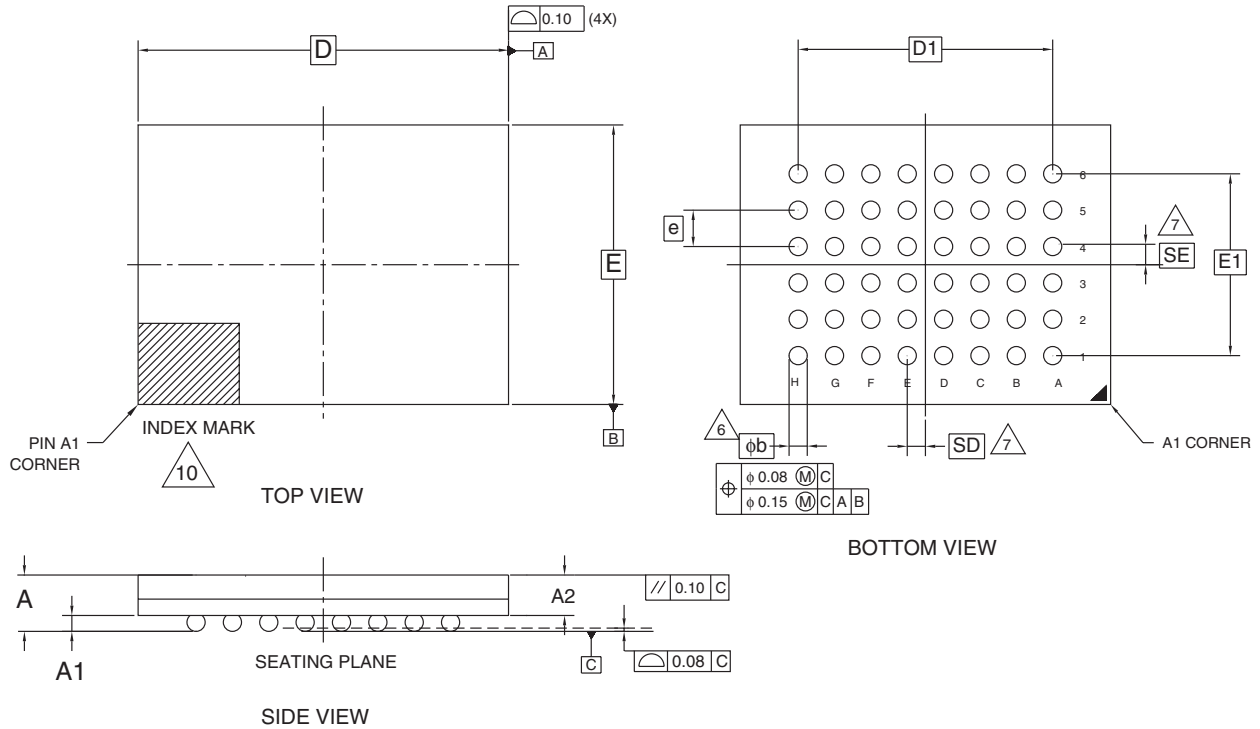
3325 \ 16-038.10a

## 17.2 TS056—56-Pin Standard Thin Small Outline Package (TSOP)



3356 \ 16-038.10c

### 17.3 VBK048—Ball Fine-pitch Ball Grid Array (BGA) 8.15x 6.15 mm Package



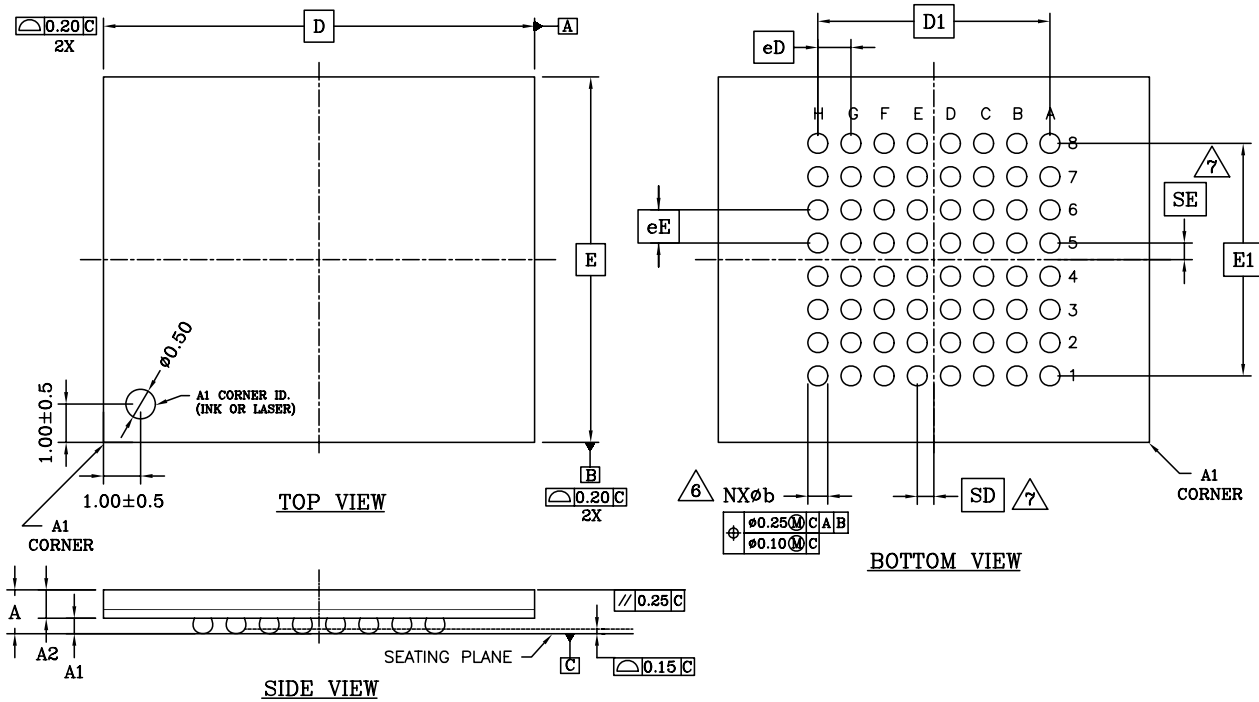
PACKAGE	VBK 048			NOTE
JEDEC	N/A			
	8.15 mm x 6.15 mm NOM PACKAGE			
SYMBOL	MIN	NOM	MAX	
A	---	---	1.00	OVERALL THICKNESS
A1	0.18	---	---	BALL HEIGHT
A2	0.62	---	0.76	BODY THICKNESS
D	8.15 BSC.			BODY SIZE
E	6.15 BSC.			BODY SIZE
D1	5.60 BSC.			BALL FOOTPRINT
E1	4.00 BSC.			BALL FOOTPRINT
MD	8			ROW MATRIX SIZE D DIRECTION
ME	6			ROW MATRIX SIZE E DIRECTION
N	48			TOTAL BALL COUNT
φb	0.35	---	0.43	BALL DIAMETER
e	0.80 BSC.			BALL PITCH
SD / SE	0.40 BSC.			SOLDER BALL PLACEMENT
	---			DEPOPULATED SOLDER BALLS

**NOTES:**

- DIMENSIONING AND TOLERANCING PER ASME Y14.5M-1994.
- ALL DIMENSIONS ARE IN MILLIMETERS.
- BALL POSITION DESIGNATION PER JESD 95-1, SPP-010 (EXCEPT AS NOTED).
- [e] REPRESENTS THE SOLDER BALL GRID PITCH.
- SYMBOL "MD" IS THE BALL ROW MATRIX SIZE IN THE "D" DIRECTION.  
SYMBOL "ME" IS THE BALL COLUMN MATRIX SIZE IN THE "E" DIRECTION.  
N IS THE TOTAL NUMBER OF SOLDER BALLS.
- [6] DIMENSION "b" IS MEASURED AT THE MAXIMUM BALL DIAMETER IN A PLANE PARALLEL TO DATUM C.
- [7] SD AND SE ARE MEASURED WITH RESPECT TO DATUMS A AND B AND DEFINE THE POSITION OF THE CENTER SOLDER BALL IN THE OUTER ROW.  
WHEN THERE IS AN ODD NUMBER OF SOLDER BALLS IN THE OUTER ROW PARALLEL TO THE D OR E DIMENSION, RESPECTIVELY, SD OR SE = 0.000.  
WHEN THERE IS AN EVEN NUMBER OF SOLDER BALLS IN THE OUTER ROW, SD OR SE = [e]/2
- NOT USED.
- "+" INDICATES THE THEORETICAL CENTER OF DEPOPULATED BALLS.
- [10] A1 CORNER TO BE IDENTIFIED BY CHAMFER, LASER OR INK MARK, METALLIZED MARK INDENTATION OR OTHER MEANS.

3338 \ 16-038.25 \ 10.05.04

### 17.4 LAA064—64-Ball Fortified Ball Grid Array (BGA) 13 x 11 mm Package



PACKAGE	LAA 064			
JEDEC	N/A			
	13.00x11.00 mm PACKAGE			
SYMBOL	MIN.	NOM.	MAX.	NOTE
A	-	-	1.40	PROFILE HEIGHT
A1	0.40	-	-	STANDOFF
A2	0.60	-	-	BODY THICKNESS
D	13.00 BSC.			BODY SIZE
E	11.00 BSC.			BODY SIZE
D1	7.00 BSC.			MATRIX FOOTPRINT
E1	7.00 BSC.			MATRIX FOOTPRINT
MD	8			MATRIX SIZE D DIRECTION
ME	8			MATRIX SIZE E DIRECTION
N	64			BALL COUNT
øb	0.50	0.60	0.70	BALL DIAMETER
eD	1.00 BSC.			BALL PITCH - D DIRECTION
eE	1.00 BSC.			BALL PITCH - E DIRECTION
SD/SE	0.50 BSC.			SOLDER BALL PLACEMENT
	A1-A8, K1-K8			DEPOPULATED SOLDER BALLS

- NOTES:**
- DIMENSIONING AND TOLERANCING METHODS PER ASME Y14.5M-1994 .
  - ALL DIMENSIONS ARE IN MILLIMETERS .
  - BALL POSITION DESIGNATION PER JESD 95-1, SPP-010 (EXCEPT AS NOTED).
  - [e] REPRESENTS THE SOLDER BALL GRID PITCH .
  - SYMBOL "MD" IS THE BALL MATRIX SIZE IN THE "D" DIRECTION. SYMBOL "ME" IS THE BALL COLUMN MATRIX SIZE IN THE "E" DIRECTION. N IS THE NUMBER OF POPULATED SOLDER BALL POSITIONS FOR MATRIX SIZE MD X ME.
  - △6 DIMENSION "b" IS MEASURED AT THE MAXIMUM BALL DIAMETER IN A PLANE PARALLEL TO DATUM "C".
  - △7 SD AND SE ARE MEASURED WITH RESPECT TO DATUMS A AND B AND DEFINE THE POSITION OF THE CENTER SOLDER BALL IN THE OUTER ROW. WHEN THERE IS AN ODD NUMBER OF SOLDER BALLS IN THE OUTER ROW, SD OR SE = 0.000. WHEN THERE IS AN EVEN NUMBER OF SOLDER BALLS IN THE OUTER ROW, SD OR SE = [e/2]
  - "X" IN THE PACKAGE VARIATIONS DENOTES PART IS UNDER QUALIFICATION.
  - "+" INDICATES THE THEORETICAL CENTER OF DEPOPULATED BALLS.

## 18. Revision History

Section	Description
<b>Revision 01 (February 12, 2007)</b>	
	Initial release.
<b>Revision 02 (February 26, 2007)</b>	
Global	Replaced LAE064 package with LAA064.
Page Mode Read	Corrected bit ranges in first paragraph.
Erase And Programming Performance	Modified maximum sector erase time in table.
<b>Revision 03 (March 15, 2007)</b>	
Connection Diagrams	<i>64-ball Fortified BGA (LAA 064) figure</i> : Changed inputs for balls F1 and F7.
<b>Revision 04 (July 6, 2007)</b>	
Ordering Information	Removed regulated $V_{CC}$ range and replaced 90 ns with 110 ns for low $V_{IO}$ option
	Added Note 4 to PACKAGE MATERIAL SET Standard option
Sector Addresses table	Corrected a table
TSOP Pin and BGA Package Capacitance	Added values for TSOP

**Colophon**

The products described in this document are designed, developed and manufactured as contemplated for general use, including without limitation, ordinary industrial use, general office use, personal use, and household use, but are not designed, developed and manufactured as contemplated (1) for any use that includes fatal risks or dangers that, unless extremely high safety is secured, could have a serious effect to the public, and could lead directly to death, personal injury, severe physical damage or other loss (i.e., nuclear reaction control in nuclear facility, aircraft flight control, air traffic control, mass transport control, medical life support system, missile launch control in weapon system), or (2) for any use where chance of failure is intolerable (i.e., submersible repeater and artificial satellite). Please note that Spansion will not be liable to you and/or any third party for any claims or damages arising in connection with above-mentioned uses of the products. Any semiconductor devices have an inherent chance of failure. You must protect against injury, damage or loss from such failures by incorporating safety design measures into your facility and equipment such as redundancy, fire protection, and prevention of over-current levels and other abnormal operating conditions. If any products described in this document represent goods or technologies subject to certain restrictions on export under the Foreign Exchange and Foreign Trade Law of Japan, the US Export Administration Regulations or the applicable laws of any other country, the prior authorization by the respective government entity will be required for export of those products.

**Trademarks and Notice**

The contents of this document are subject to change without notice. This document may contain information on a Spansion product under development by Spansion. Spansion reserves the right to change or discontinue work on any product without notice. The information in this document is provided as is without warranty or guarantee of any kind as to its accuracy, completeness, operability, fitness for particular purpose, merchantability, non-infringement of third-party rights, or any other warranty, express, implied, or statutory. Spansion assumes no liability for any damages of any kind arising out of the use of the information in this document.

Copyright © 2007 Spansion Inc. All rights reserved. Spansion®, the Spansion Logo, MirrorBit®, MirrorBit® Eclipse™, ORNAND™, HD-SIM™ and combinations thereof, are trademarks of Spansion LLC in the US and other countries. Other names used are for informational purposes only and may be trademarks of their respective owners.