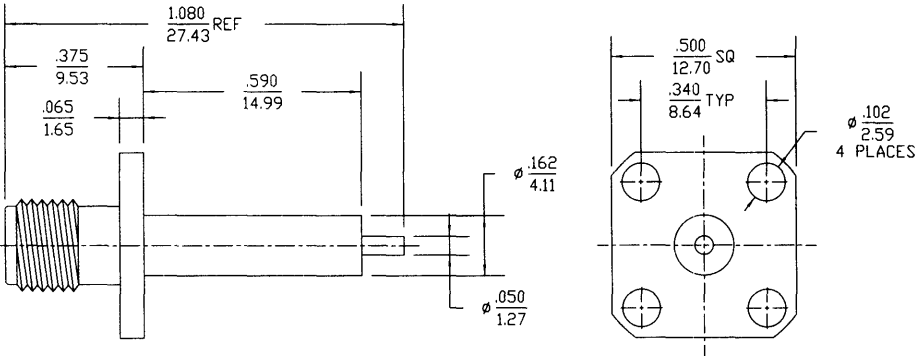
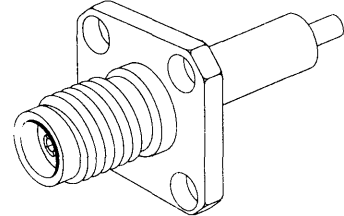


CATALOG DRAWING (FOR REFERENCE ONLY)

■ Body: Stainless Steel, passivated



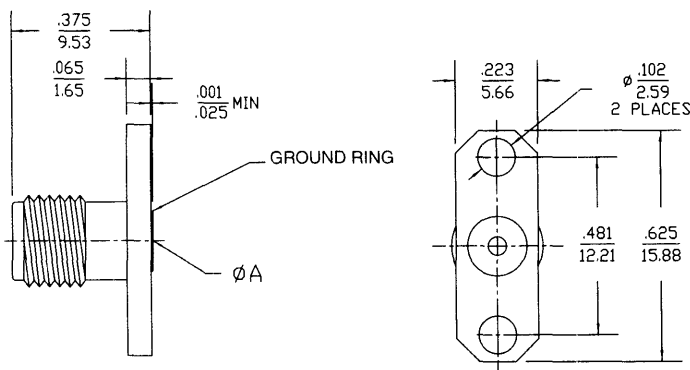
**Jack Receptacle
4 Hole Flange Mount
Extended Dielectric
Post Terminal**



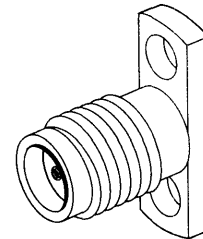
Order No.
73251-0410

CATALOG DRAWING (FOR REFERENCE ONLY)

■ Body: Stainless Steel, passivated



**Jack Receptacle
Field Replaceable
2 Hole Flange Mount
27 GHz**



Order No.	Accepts Pin Diameter
	A
73251-0200	.305 (0.012)
73251-0940	.381 (0.015)
73251-0920	.457 (0.018)
73251-0180	.508 (0.020)