

**PLEASE CHECK WWW.MOLEX.COM FOR LATEST PART INFORMATION**

**Part Number:** **0191540030**  
**Status:** **Active**  
**Description:** BUTT SPLICE INSULKRIMP TAPED (C-246XT)

**Documents:**

[Packaging Specification \(PDF\)](#)      [Product Specification PS-19902-007 \(PDF\)](#)  
[Drawing \(PDF\)](#)      [RoHS Certificate of Compliance \(PDF\)](#)

**Agency Certification**

CSA      LR18689  
 UL      E32244

**General**

Product Family      Splices  
 Series      19154  
 Crimp Quality Equipment      Yes  
 Mil-Spec      N/A  
 Product Name      Butt, InsulKrimp™

**Physical**

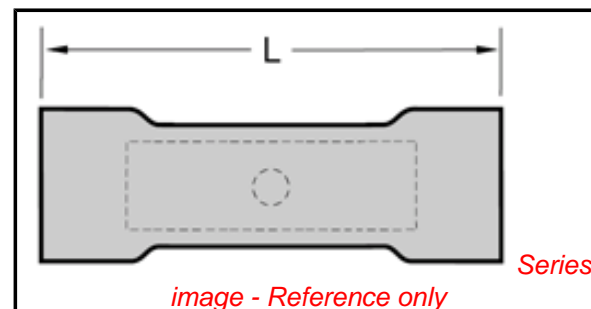
Barrel Type      Closed  
 Color - Resin      Natural  
 Flammability      94V-0  
 Insulation      PVC  
 Material - Metal      Copper  
 Material - Resin      PVC  
 Packaging Type      Adhesive Tape on Reel  
 Wire Size AWG      10, 12

**Material Info**

Old Part Number      C-246XT

**Reference - Drawing Numbers**

Product Specification      PS-19902-007  
 Sales Drawing      SD-19154-006



**EU RoHS**

**ELV and RoHS  
Compliant**

**REACH SVHC**

Not Reviewed

**Halogen-Free**

**Status**

**Not Reviewed**

**China RoHS**



**Need more information on product  
environmental compliance?**

Email [productcompliance@molex.com](mailto:productcompliance@molex.com)  
 For a multiple part number RoHS Certificate of  
 Compliance, [click here](#)

Please visit the [Contact Us](#) section for any  
 non-product compliance questions.

**Search Parts in this Series**

[19154Series](#)

**Application Tooling | FAQ**

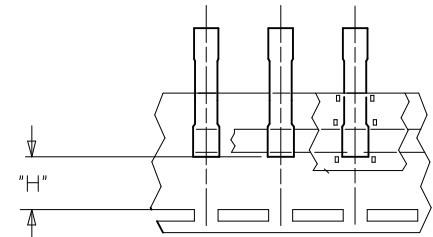
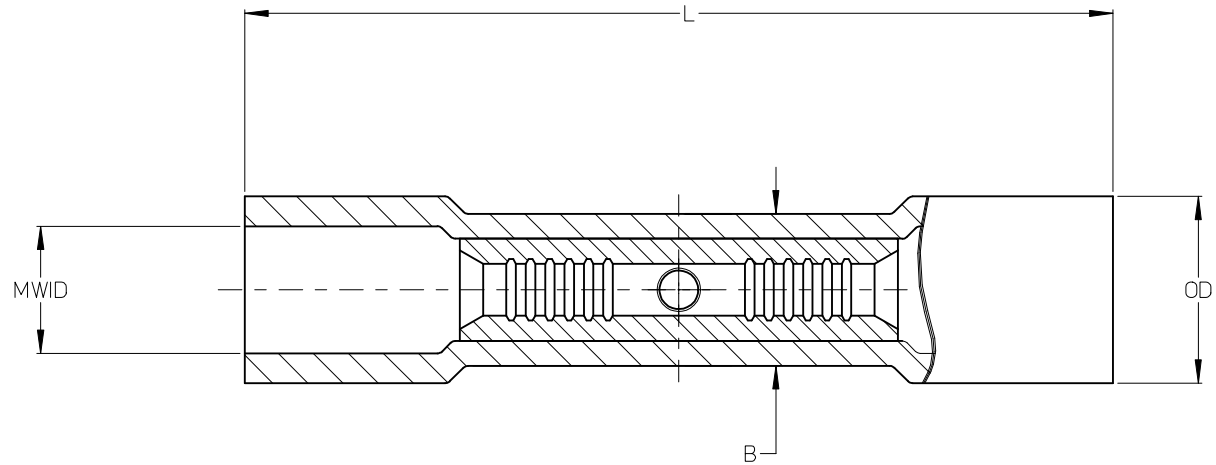
*Tooling specifications and manuals are  
 found by selecting the products below.  
 Crimp Height Specifications are then  
 contained in the Application Tooling  
 Specification document.*

**Global**

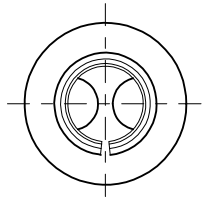
| Description  | Product #                  |
|--|----------------------------|
| Crimp Dies for<br>MTA-100 Tape<br>Applicator used in<br>3BF Press, MTA-105<br>Tape Applicator used<br>in TM-2000™ Press,<br>and ATP-301 Air<br>Crimping Press for<br>Mylar Tape Mounted<br>Terminals | <a href="#">0192880179</a> |
| Mini-Mac™<br>Applicator  | <a href="#">0638851500</a> |

**PLEASE CHECK [WWW.MOLEX.COM](http://WWW.MOLEX.COM) FOR LATEST PART INFORMATION**

| LOOSE PIECE  |                 | TAPE MOUNTED |                 | DIMENSIONS |          |           |         |           |          | COLOR  |
|--------------|-----------------|--------------|-----------------|------------|----------|-----------|---------|-----------|----------|--------|
| MATERIAL NO. | ENGINEERING P/N | MATERIAL NO. | ENGINEERING P/N | MWID       | OD (MAX) | L (MAX)   | B (MAX) | ID (MIN)  | H (NOM)  |        |
| 191540004    | A-245X          | 191540006    | A-245XT         | .150/3.81  | .24/6.1  | .97/24.6  | .20/5.1 | .060/1.52 | .49/12.4 | RED    |
| 191540015    | B-231X          | 191540017    | B-231XT         | .175/4.45  | .27/6.9  | .98/24.9  | .24/6.1 | .080/2.03 | .49/12.4 | BLUE   |
| 191540028    | C-246X          | 191540030    | C-246XT         | .260/6.60  | .36/9.2  | 1.14/29.0 | .30/7.6 | .125/3.17 | .43/10.9 | YELLOW |



TAPE MOUNTED PARTS



- NOTES:
1. MATERIALS: PVC INSULATION OVER TIN-PLATED COPPER SPLICE.
  2. COLOR: SEE CHART.
  2. MWID = MAXIMUM WIRE INSULATION DIAMETER
  3. PARTS ARE ROHS COMPLIANT.

|  |                      |   |   |   |                     |  |                        |
|--|----------------------|---|---|---|---------------------|--|------------------------|
| REDRAW<br>EC NO: WNA2009-0865<br>DRN: ETHRODAHL 2009/07/09<br>CHKD: JMACNEIL 2009/07/09<br>APPR: JMACNEIL 2009/07/09 | DESCRIPTION<br>REV A | QUALITY SYMBOLS   | GENERAL TOLERANCES (UNLESS SPECIFIED)   | DIMENSION STYLE   | SCALE               | DESIGN UNITS                               | THIRD ANGLE PROJECTION |
|  |                      | ▽=0<br>∇=0  | mm INCH<br>4 PLACES ± --- ± ---<br>3 PLACES ± --- ± .005<br>2 PLACES ± 0.13 ± .01<br>1 PLACE ± 0.25 ± ---<br>ANGULAR ± 1/2° | IN/MM<br>DRAWN BY DATE<br>ETHRODAHL 2009/06/23<br>CHECKED BY DATE<br>JMACNEIL 2009/06/24<br>APPROVED BY DATE<br>JMACNEIL 2009/06/24 | 1:1<br>INCH         | TITLE<br>BUTT SPLICE CONNECTOR, INSULKRIMP |                        |
|  |                      | DRAFT WHERE APPLICABLE MUST REMAIN WITHIN DIMENSIONS  | MATERIAL NO.<br>SEE CHART   | MOLEX INCORPORATED<br>DOCUMENT NO.<br>SD-19154-006  | SHEET NO.<br>1 OF 1 |  |                        |
|  |                      | THIS DRAWING CONTAINS INFORMATION THAT IS PROPRIETARY TO MOLEX INCORPORATED AND SHOULD NOT BE USED WITHOUT WRITTEN PERMISSION |   |   |                     |  |                        |