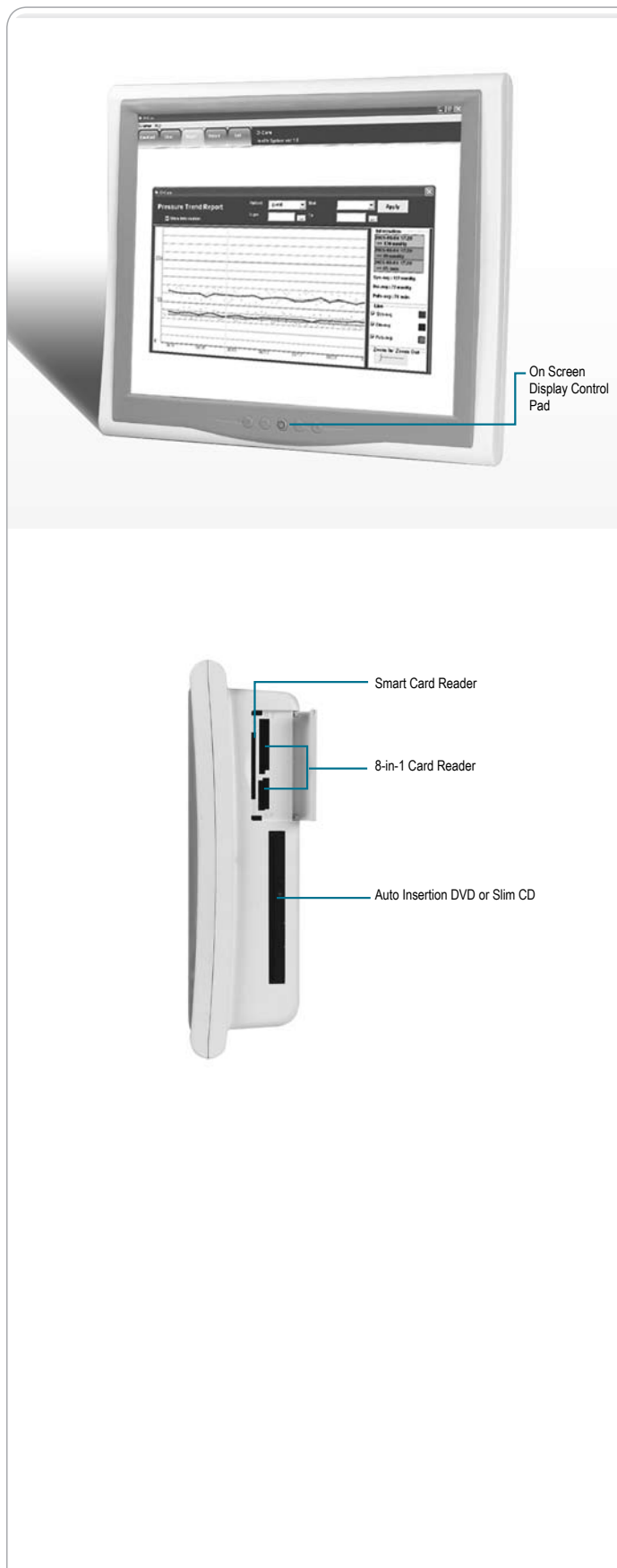


■ Medical Display Terminal, 19" LCD With Smart Interface



Features

- 19" True Color High Contrast 300 Nits Medical LCD
- Integrated Security Smart Card Reader
- Telemedicine Solution
- Integrated Auto-Insertion DVD Solution
- Worldwide Medical Safety And EMC Certified



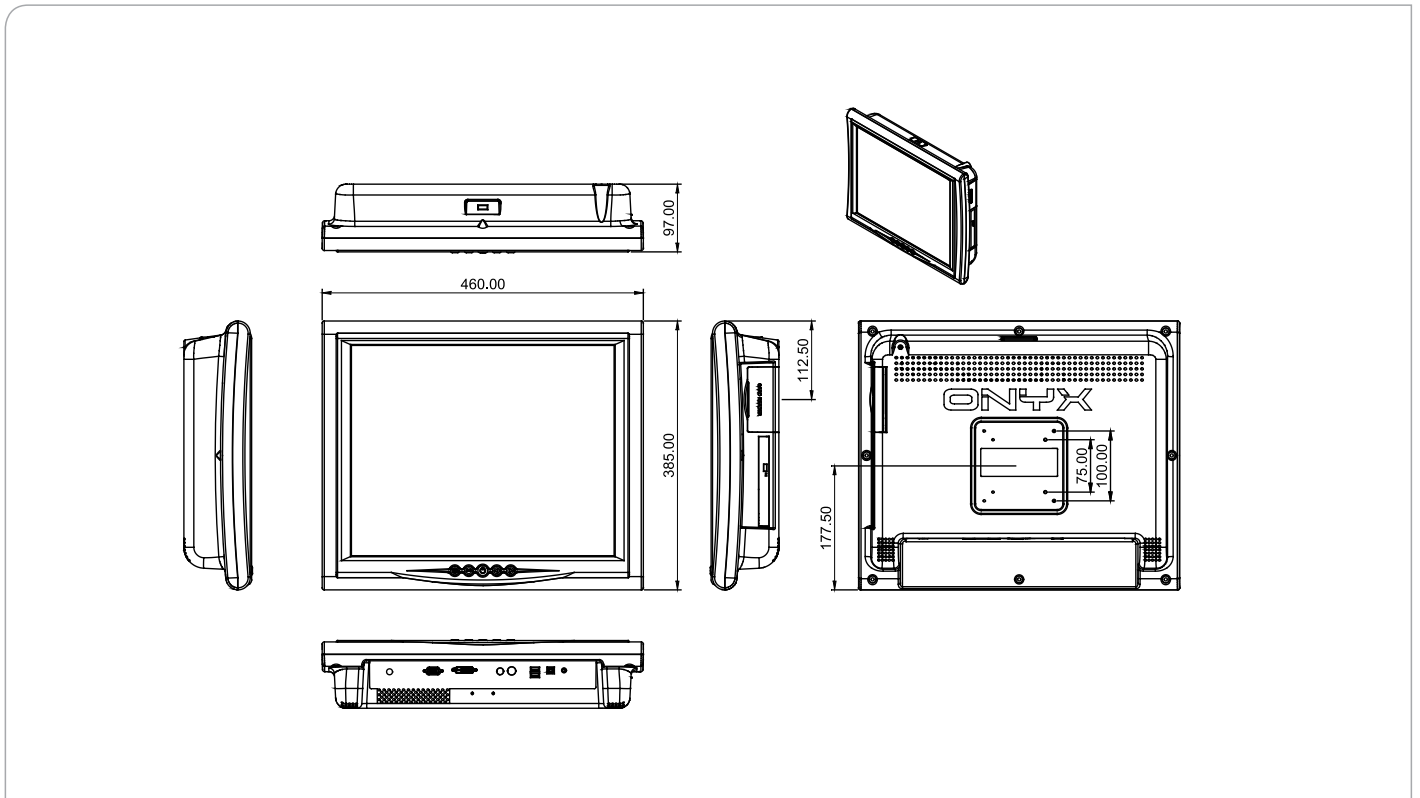
Specifications

System	
OS Support	MS DOS, Windows® 2000, Windows® XP, Windows® 7
Storage Disk Drive	Slim DVD/CD x 1, 8-in-1 Card Reader x 1, Smart Card Reader x 1
Display	
Size	19"
Resolution	1280 x 1024
Max. Colors	16.7M
Luminance	300 nits
Contrast Ratio	2000:1
Viewing Angle	178°(H)/178°(V)
Back Light MTBF (Hours)	50,000
Touch Screen	5-wire Resistive/ 2048 x 2048 (Optional)
I/O	
Audio	Line-in
USB	External x 3 and internal x 2
Signal	VGA x 1, DVI x 1
Video	AV In x 1 / S-video in x 1 (optional)
Speaker	Speaker x 2 (2W)
Mechanical and Environmental	
Power Requirement	DC Model: 12V DC
Operating Temperature	32°F ~ 104°F (0°C ~ 40°C)
Storage Temperature	-4°F ~ 140°F (-20°C ~ 60°C)
Storage Humidity	10% ~ 95% @35°C, non-condensing
Mounting	VESA 75/100
Gross Weight	19.58 lb (8.9 kg)
Net Weight	15.62 lb (7.1 kg)
EMC	CE/FCC Class B, UL 60601-1, EN 60601-1

ONYX-219

Dimension

Unit: mm



Ordering Information

- **TF-ONYX-219HT-A1-1010**
Smart Medical Display, 19" 300 nits TFT, DC 12, Card Reader, Smart card Reader
- **TF-ONYX-219HTT-A1-1010**
TF-ONYX-219HT-A1 w/Resistive TouchScreen
- **TF-ONYX-219HT-A2-1010**
Smart Medical Display, 19" 300 nits TFT, AC Adapter, Smart Card Reader, S-video
- **TF-ONYX-219HTT-A2-1010**
TF-ONYX-219HT-A2 w/Resistive TouchScreen

Optional Accessories

- **TF-PER-M00**
Slim Auto Insertion DVD ROM, 8X, COMBO, White Color
- **TF-PER-M03**
Slim Auto Insertion DVD-RW, White Color
- **PER-M19**
3-level Trolley
- **PER-M20**
Desktop Stand with VESA 75/100, Cool Gray 3C