

FEATURES

Analog I/O

- Multichannel, 12-bit, 1 MSPS ADC
 - Up to 16 ADC channels¹
- Fully differential and single-ended modes
- 0 V to V_{REF} analog input range
- 12-bit voltage output DACs
 - Up to 4 DAC outputs available¹
- On-chip voltage reference
- On-chip temperature sensor ($\pm 3^\circ\text{C}$)
- Voltage comparator

Microcontroller

- ARM7TDMI core, 16-bit/32-bit RISC architecture
- JTAG port supports code download and debug

Clocking options

- Trimmed on-chip oscillator ($\pm 3\%$)
- External watch crystal
- External clock source up to 44 MHz
- 41.78 MHz PLL with programmable divider

Memory

- 62 kB Flash/EE memory, 8 kB SRAM
- In-circuit download, JTAG-based debug
- Software-triggered in-circuit reprogrammability

On-chip peripherals

- UART, 2x I²C[®] and SPI serial I/O
- Up to 40-pin GPIO port¹
- 4x general-purpose timers
- Wake-up and watchdog timers (WDT)
- Power supply monitor
- 3-phase, 16-bit PWM generator¹
- Programmable logic array (PLA)
- External memory interface, up to 512 kB¹

Power

- Specified for 3 V operation
- Active mode: 11 mA @ 5 MHz, 40 mA @ 41.78 MHz

Packages and temperature range

- From 40-lead 6 mm x 6 mm LFCSP to 80-lead LQFP¹
- Fully specified for -40°C to $+125^\circ\text{C}$ operation

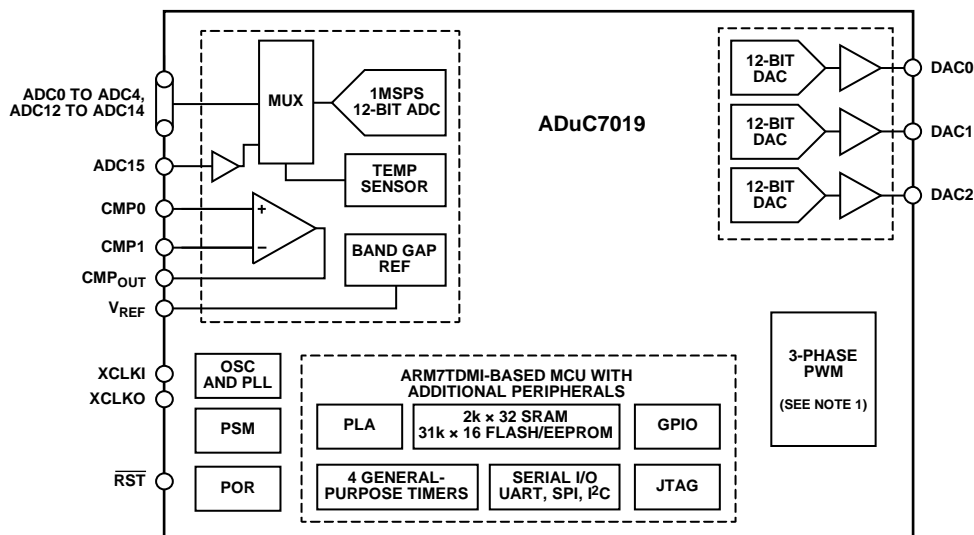
Tools

- Low cost QuickStart™ development system
- Full third-party support

APPLICATIONS

- Industrial control and automation systems
- Smart sensors, precision instrumentation
- Base station systems, optical networking

FUNCTIONAL BLOCK DIAGRAM



NOTES
1. SEE APPLICATION NOTE AN-798.

Figure 1.

¹ Depending on part model. See Ordering Guide for more information.

Rev. F

[Document Feedback](#)

Information furnished by Analog Devices is believed to be accurate and reliable. However, no responsibility is assumed by Analog Devices for its use, nor for any infringements of patents or other rights of third parties that may result from its use. Specifications subject to change without notice. No license is granted by implication or otherwise under any patent or patent rights of Analog Devices. Trademarks and registered trademarks are the property of their respective owners.

TABLE OF CONTENTS

| | | | |
|----------------------------------------------------|----|-------------------------------------------------|-----|
| Features | 1 | Calibration..... | 50 |
| Applications..... | 1 | Temperature Sensor | 50 |
| Functional Block Diagram | 1 | Band Gap Reference..... | 50 |
| Revision History | 3 | Nonvolatile Flash/EE Memory | 51 |
| General Description | 4 | Programming..... | 51 |
| Detailed Block Diagram | 9 | Security | 52 |
| Specifications..... | 10 | Flash/EE Control Interface | 52 |
| Timing Specifications | 13 | Execution Time from SRAM and Flash/EE..... | 54 |
| Absolute Maximum Ratings..... | 20 | Reset and Remap | 54 |
| ESD Caution..... | 20 | Other Analog Peripherals..... | 56 |
| Pin Configurations and Function Descriptions | 21 | DAC..... | 56 |
| ADuC7019/ADuC7020/ADuC7021/ADuC7022 | 21 | Power Supply Monitor | 57 |
| ADuC7024/ADuC7025 | 25 | Comparator | 57 |
| ADuC7026/ADuC7027 | 28 | Oscillator and PLL—Power Control..... | 58 |
| ADuC7028..... | 31 | Digital Peripherals..... | 61 |
| ADuC7029..... | 33 | 3-Phase PWM..... | 61 |
| Typical Performance Characteristics | 35 | Description of the PWM Block..... | 62 |
| Terminology | 38 | General-Purpose Input/Output..... | 67 |
| ADC Specifications | 38 | Serial Port Mux..... | 70 |
| DAC Specifications..... | 38 | UART Serial Interface..... | 70 |
| Overview of the ARM7TDMI Core | 39 | Serial Peripheral Interface..... | 74 |
| Thumb Mode (T)..... | 39 | I ² C-Compatible Interfaces..... | 76 |
| Long Multiply (M)..... | 39 | Programmable Logic Array (PLA)..... | 80 |
| EmbeddedICE (I) | 39 | Processor Reference Peripherals..... | 83 |
| Exceptions | 39 | Interrupt System..... | 83 |
| ARM Registers | 39 | Timers..... | 84 |
| Interrupt Latency..... | 40 | External Memory Interfacing | 89 |
| Memory Organization | 41 | Hardware Design Considerations | 93 |
| Memory Access..... | 41 | Power Supplies..... | 93 |
| Flash/EE Memory..... | 41 | Grounding and Board Layout Recommendations..... | 94 |
| SRAM..... | 41 | Clock Oscillator | 94 |
| Memory Mapped Registers | 41 | Power-On Reset Operation..... | 95 |
| ADC Circuit Overview | 45 | Typical System Configuration | 95 |
| Transfer Function | 45 | Development Tools..... | 96 |
| Typical Operation..... | 46 | PC-Based Tools..... | 96 |
| MMRs Interface..... | 46 | In-Circuit Serial Downloader..... | 96 |
| Converter Operation..... | 48 | Outline Dimensions | 97 |
| Driving the Analog Inputs | 49 | Ordering Guide | 101 |

REVISION HISTORY**5/13—Rev. E to Rev. F**

| | |
|-----------------------------------------------------------------------------------------------------|-----|
| Changes to Figure 1..... | 1 |
| Added Figure 2 to Figure 10; Renumbered Sequentially | 4 |
| Changes to Figure 19; Added Figure 20 | 21 |
| Changes to EPAD Note in Figure 21 and Figure 22 | 22 |
| Changes to EPAD Note in Table 11..... | 23 |
| Changes to EPAD Note in Figure 23 | 25 |
| Changes to EPAD Note in Table 12 | 26 |
| Changes to Table 14 | 31 |
| Changes to Table 15 | 33 |
| Changes to Table 82 | 68 |
| Added Table 83, Figure 73, Figure 74, Following Text, and Table 84; Renumbered Sequentially..... | 69 |
| Changes to Bit 2 Description, Table 98 | 71 |
| Changes to Table 101 | 72 |
| Changes to Timer2 (Wake-Up Timer) Section | 87 |
| Changes to Figure 94 | 95 |
| Updated Outline Dimensions..... | 97 |
| Changes to Ordering Guide..... | 101 |

7/12—Rev. D to Rev. E

| | |
|---------------------------------------------------------------------------------------------------------------------------------------------------------------------------------------------------------------|-----------|
| Changed SCLOCK to SCLK When Referring to SPI Clock, SPIMISO to MISO when Referring to SPI MISO, SPIMOSI to MOSI when Referring to SPI MOSI, and SPICSL to CS when Referring to SPI Chip Select | Universal |
| Changes to Table 4, Table 5, and Figure 5 | 11 |
| Changes to Endnote 1 in Table 6 and Figure 6..... | 12 |
| Changes to Table 7 and Figure 7 | 13 |
| Changes to Table 8 and Figure 8 | 14 |
| Changes to Table 9 and Figure 9 | 15 |
| Changed EPAD Note in Figure 12 and Table 11 | 18 |
| Changed EPAD Note in Figure 13 and Table 12..... | 21 |
| Changes to Bit 6 in Table 18..... | 43 |
| Changes to Example Source Code (External Crystal Selection) Section | 55 |
| Changes to Serial Peripheral Interface Section | 69 |
| Changes to SPICON[10] and SPICON[9] Descriptions in Table 123..... | 70 |
| Changes to Timer Interval Down Equation and Added Timer Interval Up Equation | 79 |
| Added Hour:Minute:Second:1/128 Format Section..... | 80 |
| Changes to Table 189 | 84 |
| Removed CP-40-10 Package | 92 |
| Changes to Ordering Guide..... | 96 |

5/11—Rev. C to Rev. D

| | |
|----------------------------|----|
| Changes to Table 4 | 11 |
| Changes to Table 105 | 67 |

| | |
|---------------------------------|----|
| Updated Outline Dimensions..... | 91 |
| Changes to Ordering Guide..... | 94 |

12/09—Rev. B to Rev. C

| | |
|------------------------------------------------------|-----------|
| Added ADuC7029 Part | Universal |
| Added Table Numbers and Renumbered Tables..... | Universal |
| Changes to Figure Numbers | Universal |
| Changes to Table 1 | 6 |
| Changes to Figure 3 | 9 |
| Changes to Table 3 and Figure 4 | 10 |
| Changes to Table 10 | 16 |
| Changes to Figure 55 | 53 |
| Changes to Serial Peripheral Interface Section | 69 |
| Changes to Table 137 | 73 |
| Changes to Figure 71 and Figure 72 | 85 |
| Changes to Figure 73 and Figure 74 | 86 |
| Updated Outline Dimensions..... | 91 |
| Changes to Ordering Guide..... | 94 |

3/07—Rev. A to Rev. B

| | |
|----------------------------------------------------------|-----------|
| Added ADuC7028 Part | Universal |
| Updated Format | Universal |
| Changes to Figure 2 | 5 |
| Changes to Table 1 | 6 |
| Changes to ADuC7026/ADuC7027 Section | 23 |
| Changes to Figure 21 | 28 |
| Changes to Figure 32 Caption | 30 |
| Changes to Table 14 | 35 |
| Changes to ADC Circuit Overview Section..... | 38 |
| Changes to Programming Section | 44 |
| Changes to Flash/EE Control Interface Section..... | 45 |
| Changes to Table 24 | 47 |
| Changes to RSTCLR Register Section | 48 |
| Changes to Figure 52 | 49 |
| Changes to Figure 53 | 50 |
| Changes to Comparator Section | 50 |
| Changes to Oscillator and PLL—Power Control Section..... | 51 |
| Changes to Digital Peripherals Section | 54 |
| Changes to Interrupt System Section | 75 |
| Changes to Timers Section | 76 |
| Changes to External Memory Interfacing Section | 80 |
| Added IOV _{DD} Supply Sensitivity Section | 84 |
| Changes to Ordering Guide..... | 90 |

1/06—Rev. 0 to Rev. A

| | |
|-----------------------------------------------------|----|
| Changes to Table 1 | 6 |
| Added the Flash/EE Memory Reliability Section | 43 |
| Changes to Table 30 | 52 |
| Changes to Serial Peripheral Interface | 66 |
| Changes to Ordering Guide..... | 90 |

10/05—Revision 0: Initial Version

GENERAL DESCRIPTION

The ADuC7019/20/21/22/24/25/26/27/28/29 are fully integrated, 1 MSPS, 12-bit data acquisition systems incorporating high performance multichannel ADCs, 16-bit/32-bit MCUs, and Flash®/EE memory on a single chip.

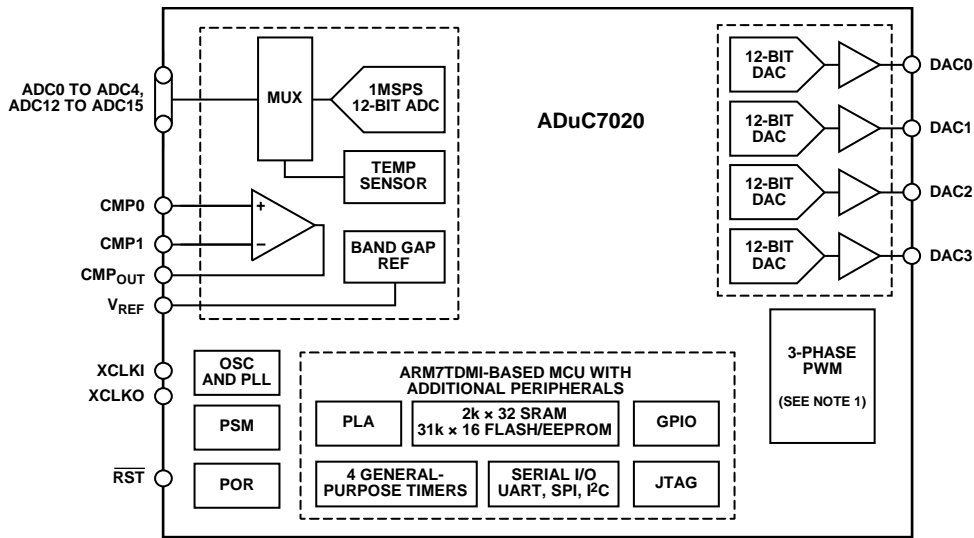
The ADC consists of up to 12 single-ended inputs. An additional four inputs are available but are multiplexed with the four DAC output pins. The four DAC outputs are available only on certain models (ADuC7020, ADuC7026, ADuC7028, and ADuC7029). However, in many cases where the DAC outputs are not present, these pins can still be used as additional ADC inputs, giving a maximum of 16 ADC input channels. The ADC can operate in single-ended or differential input mode. The ADC input voltage is 0 V to V_{REF} . A low drift band gap reference, temperature sensor, and voltage comparator complete the ADC peripheral set.

Depending on the part model, up to four buffered voltage output DACs are available on-chip. The DAC output range is programmable to one of three voltage ranges.

The devices operate from an on-chip oscillator and a PLL generating an internal high frequency clock of 41.78 MHz (UCLK). This clock is routed through a programmable clock divider from which the MCU core clock operating frequency is generated. The microcontroller core is an ARM7TDMI®, 16-bit/32-bit RISC machine, which offers up to 41 MIPS peak performance. Eight kilobytes of SRAM and 62 kilobytes of nonvolatile Flash/EE memory are provided on-chip. The ARM7TDMI core views all memory and registers as a single linear array.

On-chip factory firmware supports in-circuit serial download via the UART or I²C serial interface port; nonintrusive emulation is also supported via the JTAG interface. These features are incorporated into a low cost QuickStart™ development system supporting this MicroConverter® family.

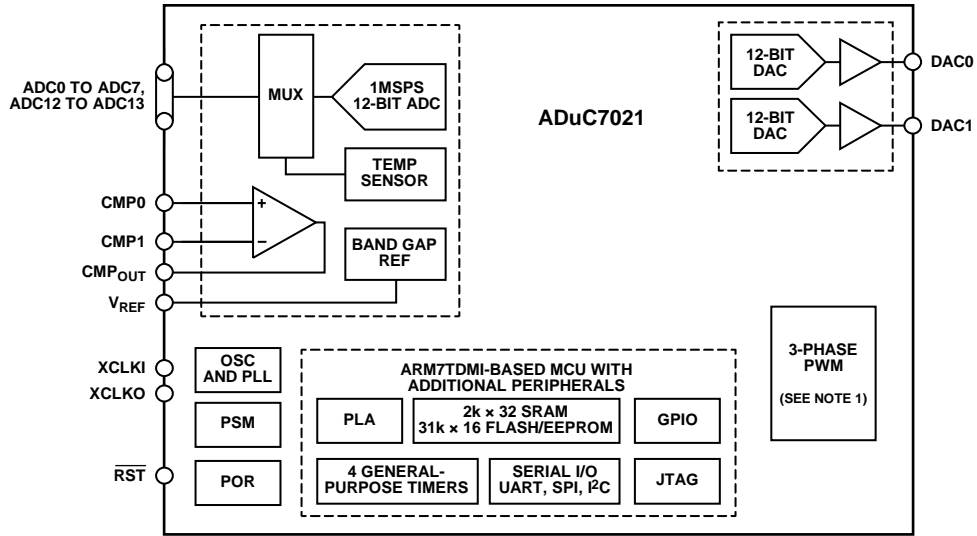
The parts operate from 2.7 V to 3.6 V and are specified over an industrial temperature range of -40°C to +125°C. When operating at 41.78 MHz, the power dissipation is typically 120 mW. The ADuC7019/20/21/22/24/25/26/27/28/29 are available in a variety of memory models and packages (see Ordering Guide).



NOTES
1. SEE APPLICATION NOTE AN-798.

Figure 2.

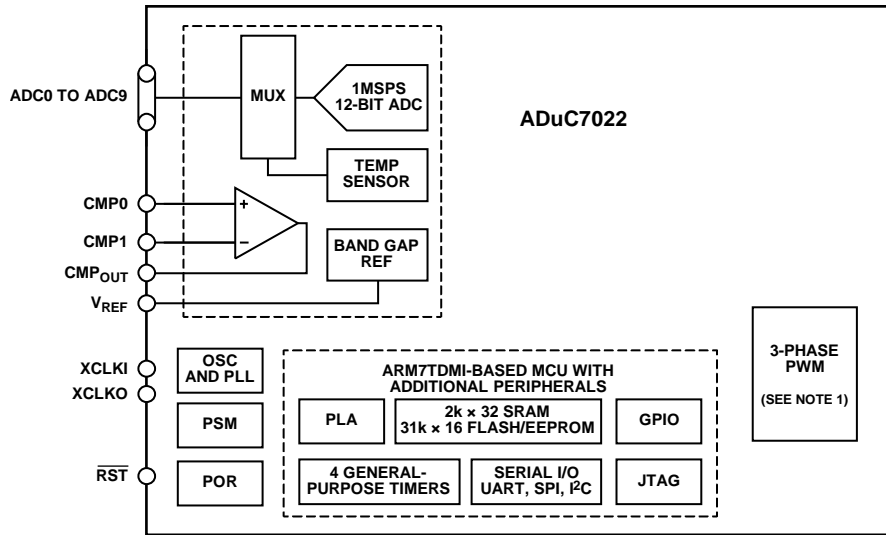
04985-101



NOTES
1. SEE APPLICATION NOTE AN-798.

04985-102

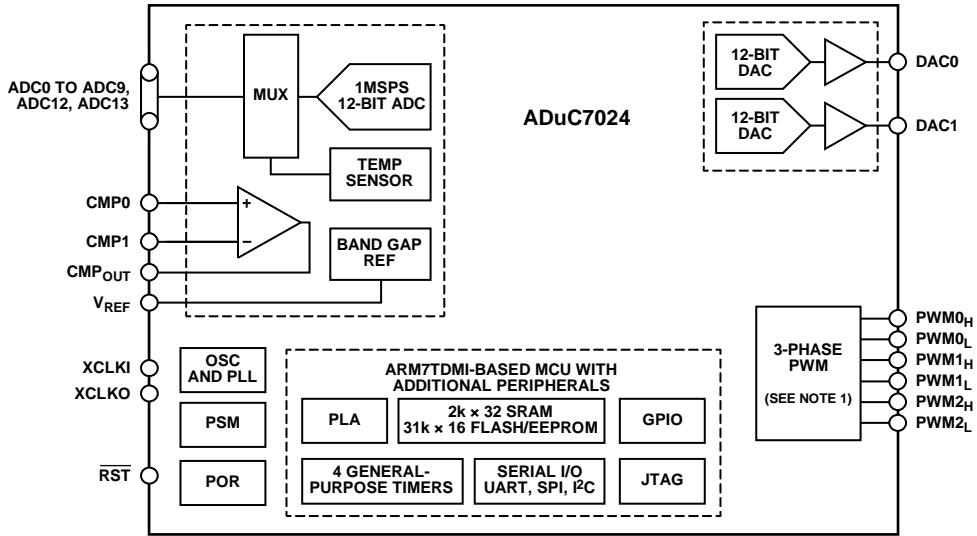
Figure 3.



NOTES
1. SEE APPLICATION NOTE AN-798.

04985-103

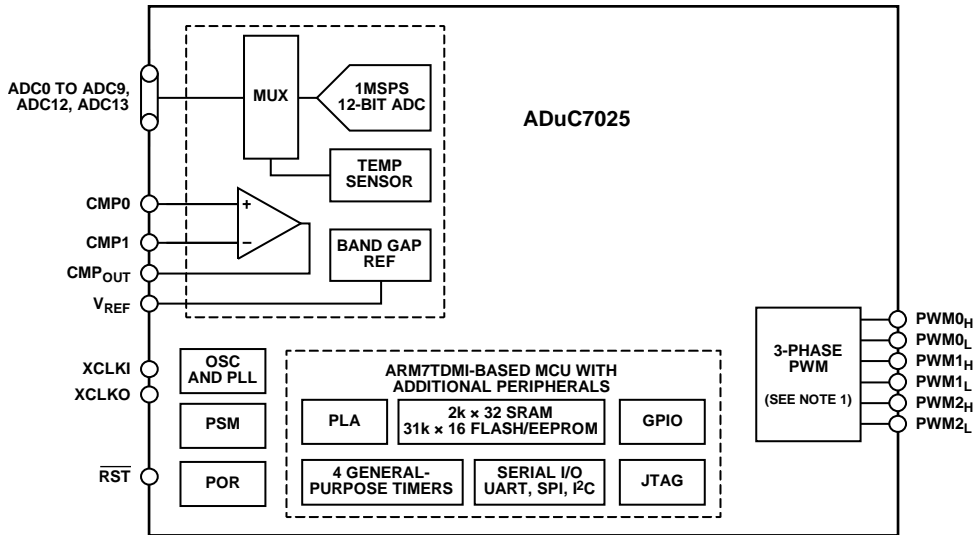
Figure 4.



NOTES
1. SEE APPLICATION NOTE AN-798.

Figure 5.

04955-104



NOTES
1. SEE APPLICATION NOTE AN-798.

Figure 6.

04955-105

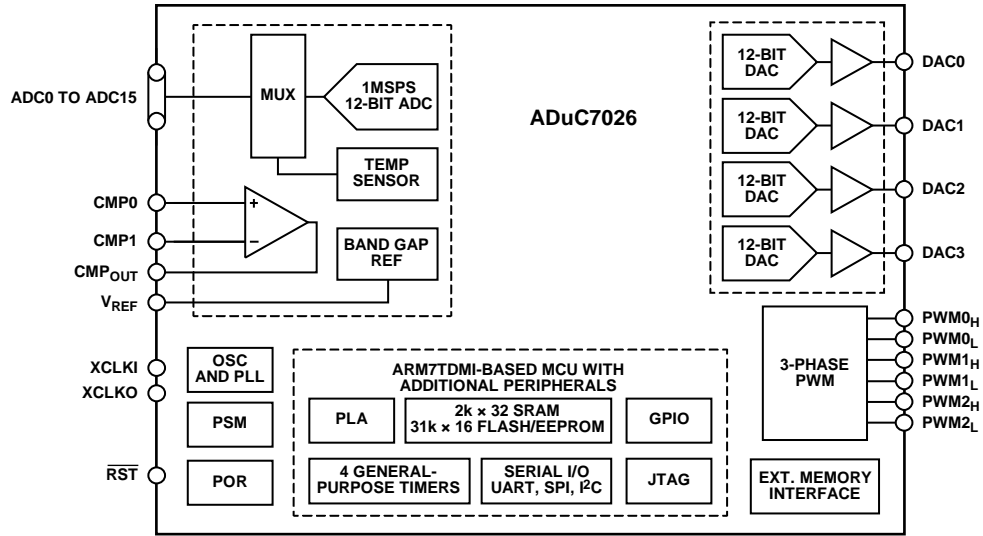


Figure 7.

04985-108

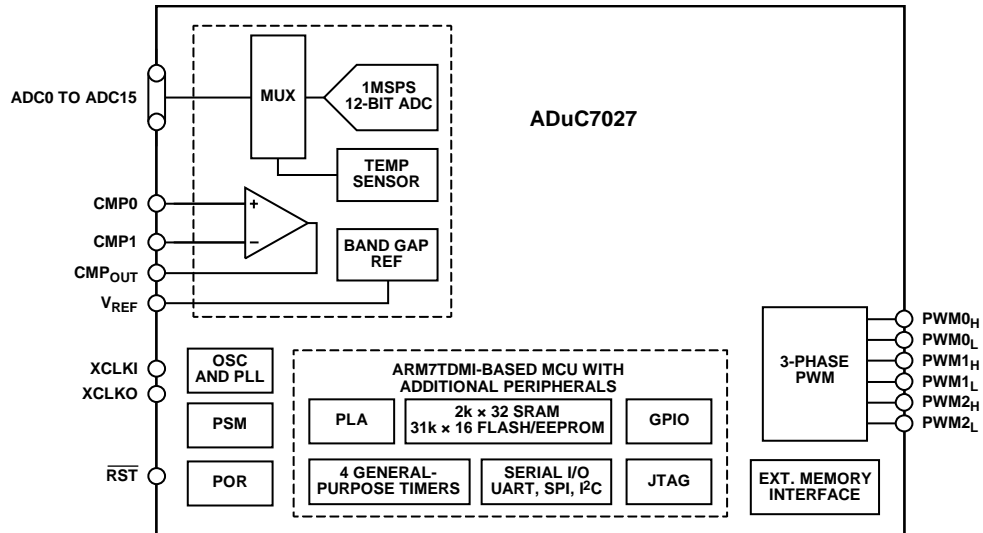


Figure 8.

04985-107

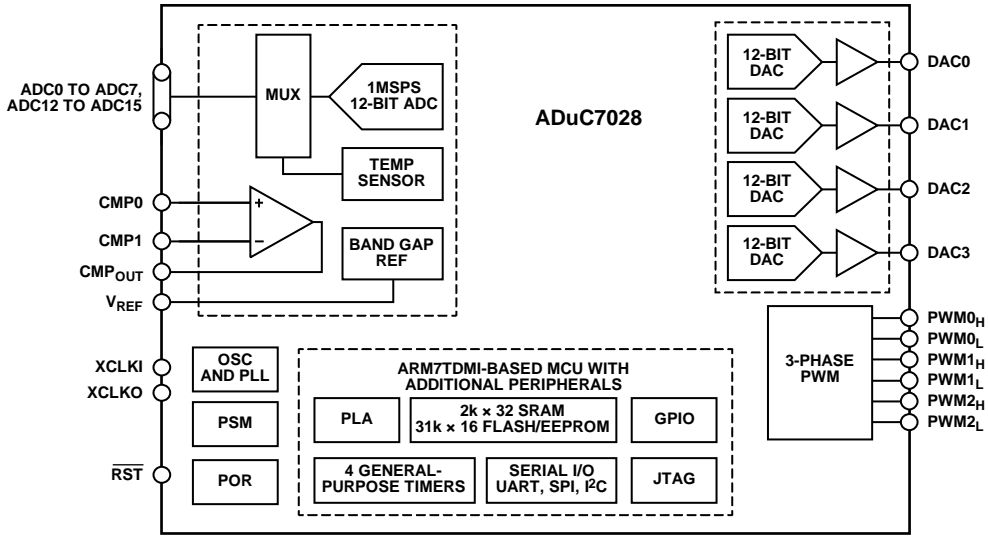


Figure 9.

04955-108

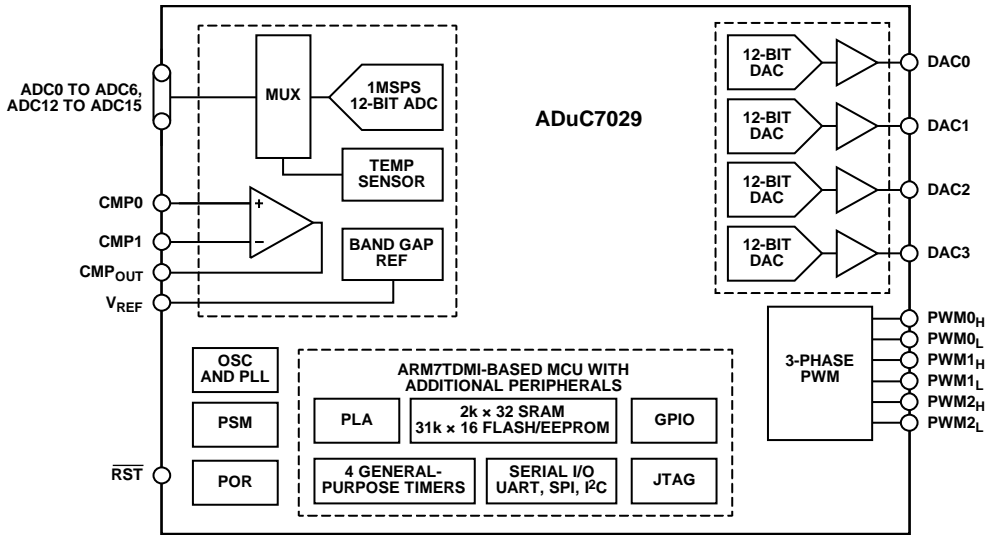


Figure 10.

04955-109

DETAILED BLOCK DIAGRAM

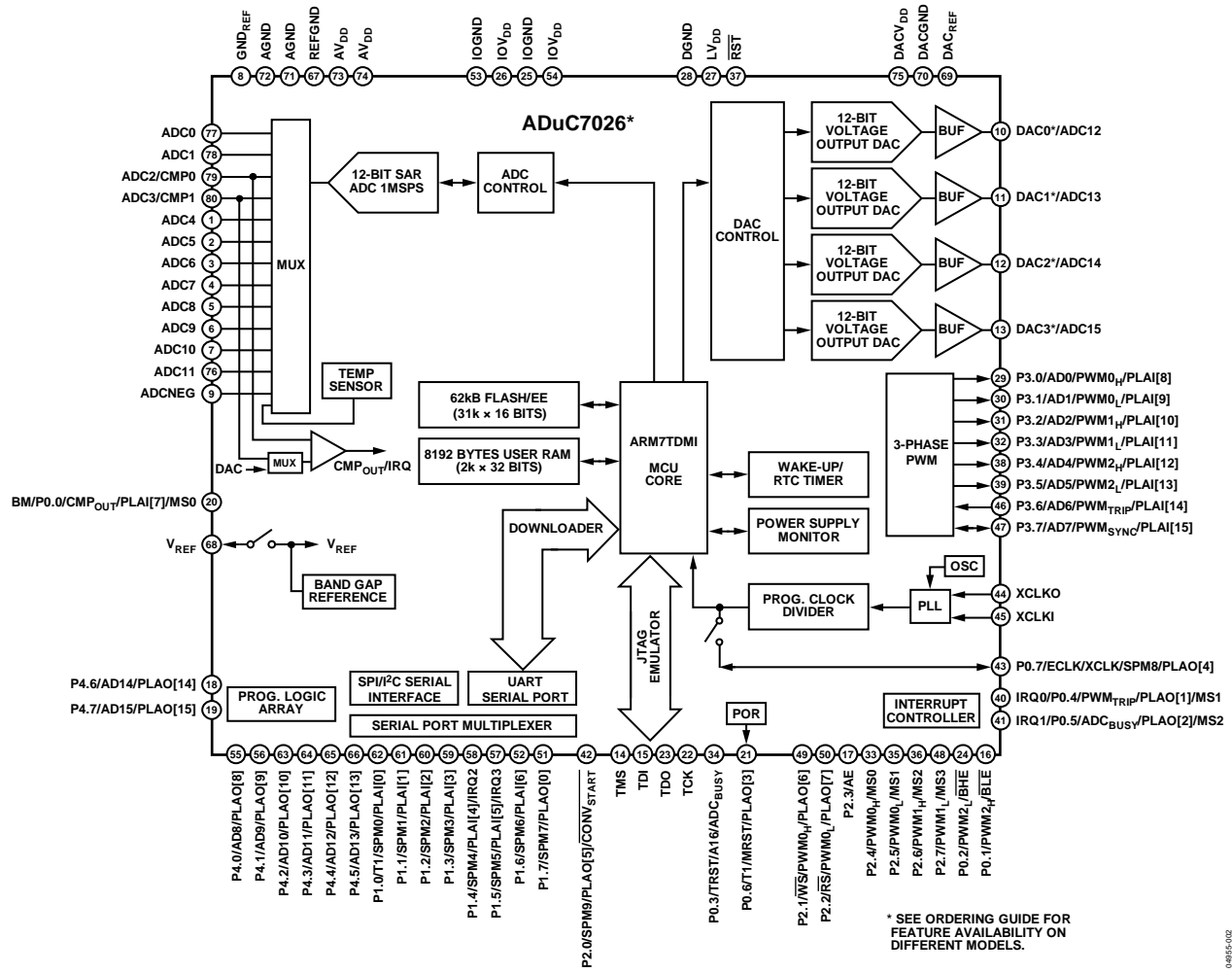


Figure 11.

04655-002

SPECIFICATIONS

$AV_{DD} = IOV_{DD} = 2.7\text{ V to }3.6\text{ V}$, $V_{REF} = 2.5\text{ V}$ internal reference, $f_{CORE} = 41.78\text{ MHz}$, $T_A = -40^\circ\text{C to }+125^\circ\text{C}$, unless otherwise noted.

Table 1.

| Parameter | Min | Typ | Max | Unit | Test Conditions/Comments |
|------------------------------------------|-------|------------------|------------------------|-----------------------|-------------------------------------------------------------------------------------------------------------------------------------------------------------------------------------------|
| ADC CHANNEL SPECIFICATIONS | | | | | |
| ADC Power-Up Time | | 5 | | μs | Eight acquisition clocks and $f_{ADC}/2$ 2.5 V internal reference 1.0 V external reference 2.5 V internal reference 1.0 V external reference ADC input is a dc voltage |
| DC Accuracy ^{1,2} | | | | | |
| Resolution | 12 | | | Bits | |
| Integral Nonlinearity | | ± 0.6 | ± 1.5 | LSB | |
| | | ± 1.0 | | LSB | |
| Differential Nonlinearity ^{3,4} | | ± 0.5 | $+1/-0.9$ | LSB | |
| | | $+0.7/-0.6$ | | LSB | |
| DC Code Distribution | | 1 | | LSB | |
| ENDPOINT ERRORS⁵ | | | | | |
| Offset Error | | ± 1 | ± 2 | LSB | |
| Offset Error Match | | ± 1 | | LSB | |
| Gain Error | | ± 2 | ± 5 | LSB | |
| Gain Error Match | | ± 1 | | LSB | |
| DYNAMIC PERFORMANCE | | | | | |
| Signal-to-Noise Ratio (SNR) | | 69 | | dB | $f_{IN} = 10\text{ kHz sine wave}$, $f_{SAMPLE} = 1\text{ MSPS}$ Includes distortion and noise components |
| Total Harmonic Distortion (THD) | | -78 | | dB | |
| Peak Harmonic or Spurious Noise (PHSN) | | -75 | | dB | |
| Channel-to-Channel Crosstalk | | -80 | | dB | Measured on adjacent channels |
| ANALOG INPUT | | | | | |
| Input Voltage Ranges | | | | | |
| Differential Mode | | | $V_{CM} \pm V_{REF}/2$ | V | |
| Single-Ended Mode | | | 0 to V_{REF} | V | |
| Leakage Current | | ± 1 | ± 6 | μA | |
| Input Capacitance | | 20 | | pF | During ADC acquisition |
| ON-CHIP VOLTAGE REFERENCE | | | | | |
| Output Voltage | | 2.5 | | V | 0.47 μF from V_{REF} to AGND |
| Accuracy | | | ± 5 | mV | |
| Reference Temperature Coefficient | | ± 40 | | ppm/ $^\circ\text{C}$ | $T_A = 25^\circ\text{C}$ |
| Power Supply Rejection Ratio | | 75 | | dB | |
| Output Impedance | | 70 | | Ω | $T_A = 25^\circ\text{C}$ |
| Internal V_{REF} Power-On Time | | 1 | | ms | |
| EXTERNAL REFERENCE INPUT | | | | | |
| Input Voltage Range | 0.625 | | AV_{DD} | V | |
| DAC CHANNEL SPECIFICATIONS | | | | | |
| DC Accuracy ⁷ | | | | | $R_L = 5\text{ k}\Omega$, $C_L = 100\text{ pF}$ Guaranteed monotonic 2.5 V internal reference % of full scale on DAC0 |
| Resolution | | 12 | | Bits | |
| Relative Accuracy | | ± 2 | | LSB | |
| Differential Nonlinearity | | | ± 1 | LSB | |
| Offset Error | | | ± 15 | mV | |
| Gain Error ⁸ | | | ± 1 | % | |
| Gain Error Mismatch | | 0.1 | | % | |
| ANALOG OUTPUTS | | | | | |
| Output Voltage Range_0 | | 0 to DAC_{REF} | | V | DAC_{REF} range: DAC_{GND} to DAC_{VDD} |
| Output Voltage Range_1 | | 0 to 2.5 | | V | |
| Output Voltage Range_2 | | 0 to DAC_{VDD} | | V | |
| Output Impedance | | 2 | | Ω | |

| Parameter | Min | Typ | Max | Unit | Test Conditions/Comments |
|---------------------------------------------|--------|--------|-----------------|--------|-------------------------------------------------------------------------------------------------------------------------------------------------------------------------------------------------------------------------------|
| DAC AC CHARACTERISTICS | | | | | |
| Voltage Output Settling Time | | 10 | | μs | 1 LSB change at major carry (where maximum number of bits simultaneously changes in the DACxDAT register) |
| Digital-to-Analog Glitch Energy | | ±20 | | nV-sec | |
| COMPARATOR | | | | | |
| Input Offset Voltage | | ±15 | | mV | Hysteresis turned on or off via the CMPHYST bit in the CMPCON register 100 mV overdrive and configured with CMPRES = 11 |
| Input Bias Current | | 1 | | μA | |
| Input Voltage Range | AGND | | $AV_{DD} - 1.2$ | V | |
| Input Capacitance | | 7 | | pF | |
| Hysteresis ^{4,6} | 2 | | 15 | mV | |
| Response Time | | 3 | | μs | |
| TEMPERATURE SENSOR | | | | | |
| Voltage Output at 25°C | | 780 | | mV | |
| Voltage TC | | -1.3 | | mV/°C | |
| Accuracy | | ±3 | | °C | |
| POWER SUPPLY MONITOR (PSM) | | | | | |
| IOV _{DD} Trip Point Selection | | 2.79 | | V | Two selectable trip points |
| | | 3.07 | | V | |
| Power Supply Trip Point Accuracy | | ±2.5 | | % | Of the selected nominal trip point voltage |
| POWER-ON-RESET | | 2.36 | | V | |
| GLITCH IMMUNITY ON RESET PIN ⁴ | | 50 | | μs | |
| WATCHDOG TIMER (WDT) | | | | | |
| Timeout Period | 0 | | 512 | sec | |
| FLASH/EE MEMORY | | | | | |
| Endurance ⁹ | 10,000 | | | Cycles | $T_J = 85^\circ\text{C}$ |
| Data Retention ¹⁰ | 20 | | | Years | |
| DIGITAL INPUTS | | | | | |
| Logic 1 Input Current | | ±0.2 | ±1 | μA | All digital inputs excluding XCLKI and XCLKO $V_{IH} = IOV_{DD}$ or $V_{IH} = 5\text{ V}$ $V_{IL} = 0\text{ V}$; except TDI on ADuC7019/20/21/22/24/25/29 $V_{IL} = 0\text{ V}$; TDI on ADuC7019/20/21/22/24/25/29 |
| Logic 0 Input Current | | -40 | -60 | μA | |
| | | -80 | -120 | μA | |
| Input Capacitance | | 10 | | pF | |
| LOGIC INPUTS³ | | | | | |
| V_{INL} , Input Low Voltage | | | 0.8 | V | All logic inputs excluding XCLKI |
| V_{INH} , Input High Voltage | 2.0 | | | V | |
| LOGIC OUTPUTS | | | | | |
| V_{OH} , Output High Voltage | 2.4 | | | V | All digital outputs excluding XCLKO $I_{SOURCE} = 1.6\text{ mA}$ $I_{SINK} = 1.6\text{ mA}$ |
| V_{OL} , Output Low Voltage ¹¹ | | | 0.4 | V | |
| CRYSTAL INPUTS XCLKI and XCLKO | | | | | |
| Logic Inputs, XCLKI Only | | | | | |
| V_{INL} , Input Low Voltage | | 1.1 | | V | |
| V_{INH} , Input High Voltage | | 1.7 | | V | |
| XCLKI Input Capacitance | | 20 | | pF | |
| XCLKO Output Capacitance | | 20 | | pF | |
| INTERNAL OSCILLATOR | | | | | |
| | | 32.768 | | kHz | $T_A = 0^\circ\text{C}$ to 85°C range |
| | | | ±3 | % | |
| | | | ±2 ⁴ | % | |

| Parameter | Min | Typ | Max | Unit | Test Conditions/Comments |
|---------------------------------------------------------|------|-------|-------|------|---------------------------------------------|
| MCU CLOCK RATE | | | | | |
| From 32 kHz Internal Oscillator | | 326 | | kHz | CD ¹² = 7 |
| From 32 kHz External Crystal | | 41.78 | | MHz | CD ¹² = 0 |
| Using an External Clock | 0.05 | | 44 | MHz | T _A = 85°C |
| | 0.05 | | 41.78 | MHz | T _A = 125°C |
| START-UP TIME | | | | | Core clock = 41.78 MHz |
| At Power-On | | 130 | | ms | |
| From Pause/Nap Mode | | 24 | | ns | CD ¹² = 0 |
| | | 3.06 | | μs | CD ¹² = 7 |
| From Sleep Mode | | 1.58 | | ms | |
| From Stop Mode | | 1.7 | | ms | |
| PROGRAMMABLE LOGIC ARRAY (PLA) | | | | | |
| Pin Propagation Delay | | 12 | | ns | From input pin to output pin |
| Element Propagation Delay | | 2.5 | | ns | |
| POWER REQUIREMENTS ^{13, 14} | | | | | |
| Power Supply Voltage Range | | | | | |
| AV _{DD} to AGND and IOV _{DD} to IOGND | 2.7 | | 3.6 | V | |
| Analog Power Supply Currents | | | | | |
| AV _{DD} Current | | 200 | | μA | ADC in idle mode; all parts except ADuC7019 |
| | | 400 | | μA | ADC in idle mode; ADuC7019 only |
| DACV _{DD} Current ¹⁵ | | 3 | 25 | μA | |
| Digital Power Supply Current | | | | | |
| IOV _{DD} Current in Normal Mode | | 7 | 10 | mA | Code executing from Flash/EE |
| | | 11 | 15 | mA | CD ¹² = 7 |
| | | 40 | 45 | mA | CD ¹² = 3 |
| IOV _{DD} Current in Pause Mode | | 25 | 30 | mA | CD ¹² = 0 (41.78 MHz clock) |
| IOV _{DD} Current in Sleep Mode | | 250 | 400 | μA | CD ¹² = 0 (41.78 MHz clock) |
| | | 600 | 1000 | μA | T _A = 85°C |
| | | | | | T _A = 125°C |
| Additional Power Supply Currents | | | | | |
| ADC | | 2 | | mA | @ 1 MSPS |
| | | 0.7 | | mA | @ 62.5 kSPS |
| DAC | | 700 | | μA | per DAC |
| ESD TESTS | | | | | 2.5 V reference, T _A = 25°C |
| HBM Passed Up To | | | 4 | kV | |
| FCIDM Passed Up To | | | 0.5 | kV | |

¹ All ADC channel specifications are guaranteed during normal MicroConverter core operation.

² Apply to all ADC input channels.

³ Measured using the factory-set default values in the ADC offset register (ADCOF) and gain coefficient register (ADCGN).

⁴ Not production tested but supported by design and/or characterization data on production release.

⁵ Measured using the factory-set default values in ADCOF and ADCGN with an external AD845 op amp as an input buffer stage as shown in Figure 59. Based on external ADC system components; the user may need to execute a system calibration to remove external endpoint errors and achieve these specifications (see the Calibration section).

⁶ The input signal can be centered on any dc common-mode voltage (V_{CM}) as long as this value is within the ADC voltage input range specified.

⁷ DAC linearity is calculated using a reduced code range of 100 to 3995.

⁸ DAC gain error is calculated using a reduced code range of 100 to internal 2.5 V V_{REF}.

⁹ Endurance is qualified as per JEDEC Standard 22, Method A117 and measured at -40°C, +25°C, +85°C, and +125°C.

¹⁰ Retention lifetime equivalent at junction temperature (T_J) = 85°C as per JEDEC Standard 22m, Method A117. Retention lifetime derates with junction temperature.

¹¹ Test carried out with a maximum of eight I/Os set to a low output level.

¹² See the POWCON register.

¹³ Power supply current consumption is measured in normal, pause, and sleep modes under the following conditions: normal mode with 3.6 V supply, pause mode with 3.6 V supply, and sleep mode with 3.6 V supply.

¹⁴ IOV_{DD} power supply current decreases typically by 2 mA during a Flash/EE erase cycle.

¹⁵ On the ADuC7019/20/21/22, this current must be added to the AV_{DD} current.

TIMING SPECIFICATIONS

Table 2. External Memory Write Cycle

| Parameter | Min | Typ | Max | Unit |
|------------------------------------|-----|------------------------------------------|-----|------|
| CLK ¹ | | UCLK | | |
| t _{MS_AFTER_CLKH} | 0 | | 4 | ns |
| t _{ADDR_AFTER_CLKH} | 4 | | 8 | ns |
| t _{AE_H_AFTER_MS} | | ½ CLK | | |
| t _{AE} | | (XMxPAR[14:12] + 1) × CLK | | |
| t _{HOLD_ADDR_AFTER_AE_L} | | ½ CLK + (!XMxPAR[10]) × CLK | | |
| t _{HOLD_ADDR_BEFORE_WR_L} | | (!XMxPAR[8]) × CLK | | |
| t _{WR_L_AFTER_AE_L} | | ½ CLK + (!XMxPAR[10] + !XMxPAR[8]) × CLK | | |
| t _{DATA_AFTER_WR_L} | 8 | | 12 | ns |
| t _{WR} | | (XMxPAR[7:4] + 1) × CLK | | |
| t _{WR_H_AFTER_CLKH} | 0 | | 4 | ns |
| t _{HOLD_DATA_AFTER_WR_H} | | (!XMxPAR[8]) × CLK | | |
| t _{BEN_AFTER_AE_L} | | ½ CLK | | |
| t _{RELEASE_MS_AFTER_WR_H} | | (!XMxPAR[8] + 1) × CLK | | |

¹ See Table 78.

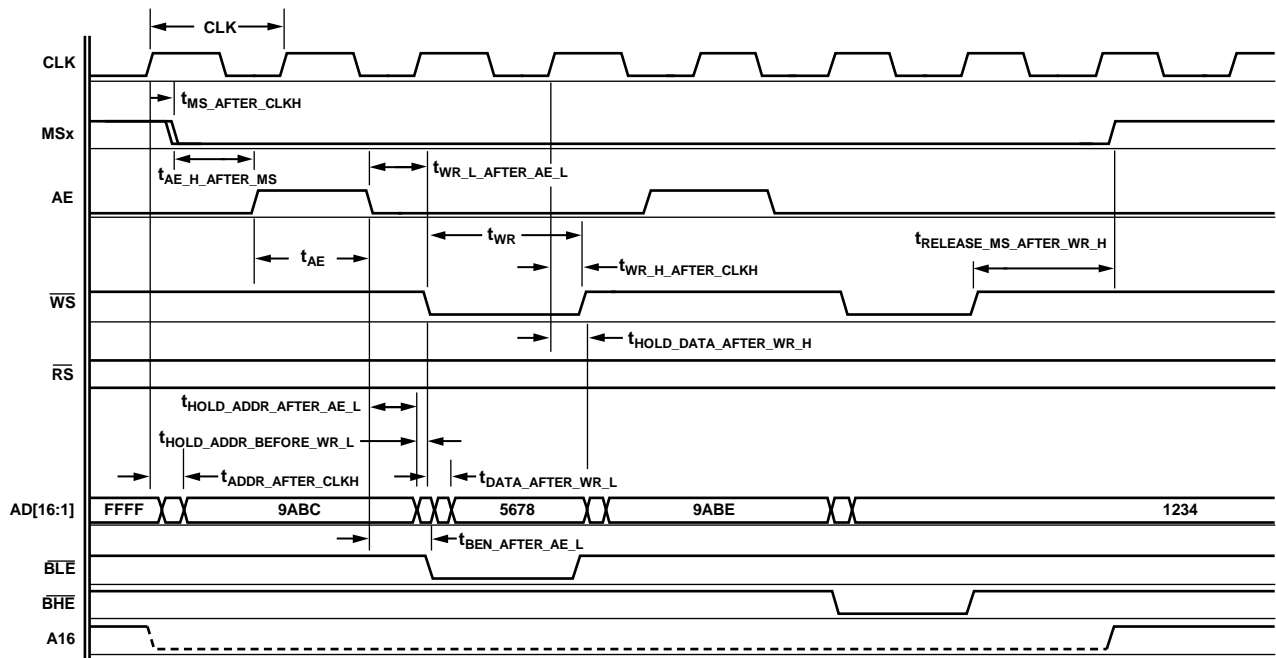


Figure 12. External Memory Write Cycle (See Table 78)

04855-052

Table 3. External Memory Read Cycle

| Parameter | Min | Typ | Max | Unit |
|------------------------------------|------------|--------------------------------------------|-----|------|
| CLK ¹ | 1/MD clock | ns typ × (POWCON[2:0] + 1) | | |
| t _{MS_AFTER_CLKH} | 4 | | 8 | ns |
| t _{ADDR_AFTER_CLKH} | 4 | | 16 | ns |
| t _{AE_H_AFTER_MS} | | ½ CLK | | |
| t _{AE} | | (XMxPAR[14:12] + 1) × CLK | | |
| t _{HOLD_ADDR_AFTER_AE_L} | | ½ CLK + (! XMxPAR[10]) × CLK | | |
| t _{RD_L_AFTER_AE_L} | | ½ CLK + (! XMxPAR[10] + ! XMxPAR[9]) × CLK | | |
| t _{RD_H_AFTER_CLKH} | 0 | | 4 | |
| t _{RD} | | (XMxPAR[3:0] + 1) × CLK | | |
| t _{DATA_BEFORE_RD_H} | 16 | | | ns |
| t _{DATA_AFTER_RD_H} | 8 | + (! XMxPAR[9]) × CLK | | |
| t _{RELEASE_MS_AFTER_RD_H} | | 1 × CLK | | |

¹ See Table 78.

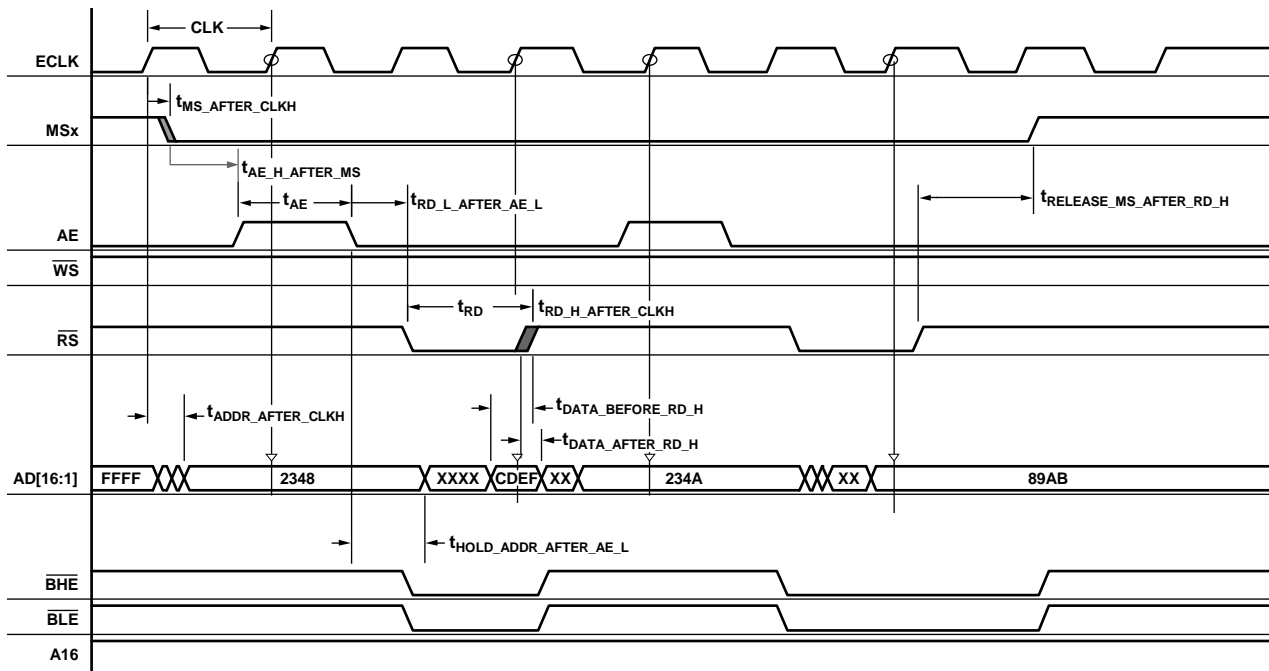


Figure 13. External Memory Read Cycle (See Table 78)

04965-063

Table 4. I²C Timing in Fast Mode (400 kHz)

| Parameter | Description | Slave | | Master | Unit |
|------------------|--------------------------------------------------------------|-------|-----|--------|------|
| | | Min | Max | Typ | |
| t _L | SCL low pulse width ¹ | 200 | | 1360 | ns |
| t _H | SCL high pulse width ¹ | 100 | | 1140 | ns |
| t _{SHD} | Start condition hold time | 300 | | | ns |
| t _{DSU} | Data setup time | 100 | | 740 | ns |
| t _{DHD} | Data hold time | 0 | | 400 | ns |
| t _{RSU} | Setup time for repeated start | 100 | | | ns |
| t _{PSU} | Stop condition setup time | 100 | | 400 | ns |
| t _{BUF} | Bus-free time between a stop condition and a start condition | 1.3 | | | μs |
| t _R | Rise time for both SCL and SDA | | 300 | 200 | ns |
| t _F | Fall time for both SCL and SDA | | 300 | | ns |
| t _{SUP} | Pulse width of spike suppressed | | 50 | | ns |

¹ t_{HCLK} depends on the clock divider or CD bits in the POWCON MMR. t_{HCLK} = t_{UCLK}/2^{CD}; see Figure 67.

Table 5. I²C Timing in Standard Mode (100 kHz)

| Parameter | Description | Slave | | Master | Unit |
|------------------|--------------------------------------------------------------|-------|------|--------|------|
| | | Min | Max | Typ | |
| t _L | SCL low pulse width ¹ | 4.7 | | | μs |
| t _H | SCL high pulse width ¹ | 4.0 | | | ns |
| t _{SHD} | Start condition hold time | 4.0 | | | μs |
| t _{DSU} | Data setup time | 250 | | | ns |
| t _{DHD} | Data hold time | 0 | 3.45 | | μs |
| t _{RSU} | Setup time for repeated start | 4.7 | | | μs |
| t _{PSU} | Stop condition setup time | 4.0 | | | μs |
| t _{BUF} | Bus-free time between a stop condition and a start condition | 4.7 | | | μs |
| t _R | Rise time for both SCL and SDA | | 1 | | μs |
| t _F | Fall time for both SCL and SDA | | 300 | | ns |

¹ t_{HCLK} depends on the clock divider or CD bits in the POWCON MMR. t_{HCLK} = t_{UCLK}/2^{CD}; see Figure 67.

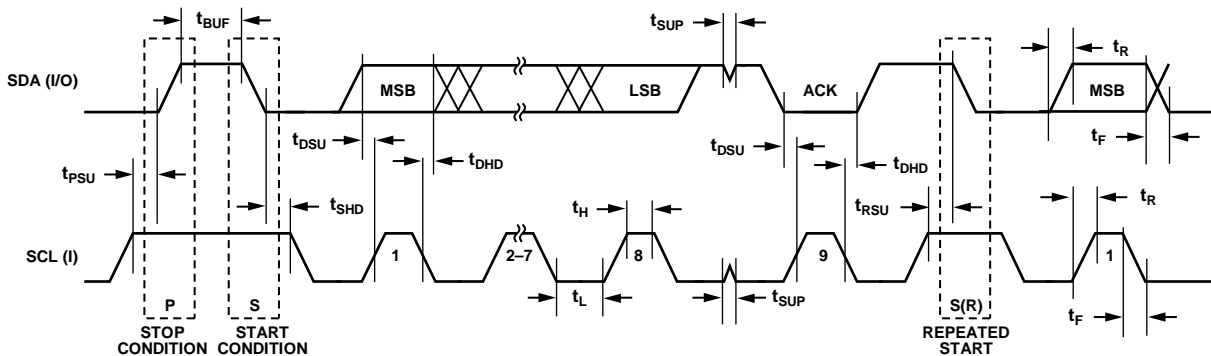


Figure 14. I²C Compatible Interface Timing

04855-054

Table 6. SPI Master Mode Timing (Phase Mode = 1)

| Parameter | Description | Min | Typ | Max | Unit |
|-----------|-----------------------------------------------------|---------------------|--------------------------------|------|------|
| t_{SL} | SCLK low pulse width ¹ | | $(SPIDIV + 1) \times t_{HCLK}$ | | ns |
| t_{SH} | SCLK high pulse width ¹ | | $(SPIDIV + 1) \times t_{HCLK}$ | | ns |
| t_{DAV} | Data output valid after SCLK edge | | | 25 | ns |
| t_{DSU} | Data input setup time before SCLK edge ² | $1 \times t_{UCLK}$ | | | ns |
| t_{DHD} | Data input hold time after SCLK edge ² | $2 \times t_{UCLK}$ | | | ns |
| t_{DF} | Data output fall time | | 5 | 12.5 | ns |
| t_{DR} | Data output rise time | | 5 | 12.5 | ns |
| t_{SR} | SCLK rise time | | 5 | 12.5 | ns |
| t_{SF} | SCLK fall time | | 5 | 12.5 | ns |

¹ t_{HCLK} depends on the clock divider or CD bits in the POWCONMMR. $t_{HCLK} = t_{UCLK}/2^{CD}$; see Figure 67.

² $t_{UCLK} = 23.9$ ns. It corresponds to the 41.78 MHz internal clock from the PLL before the clock divider; see Figure 67.

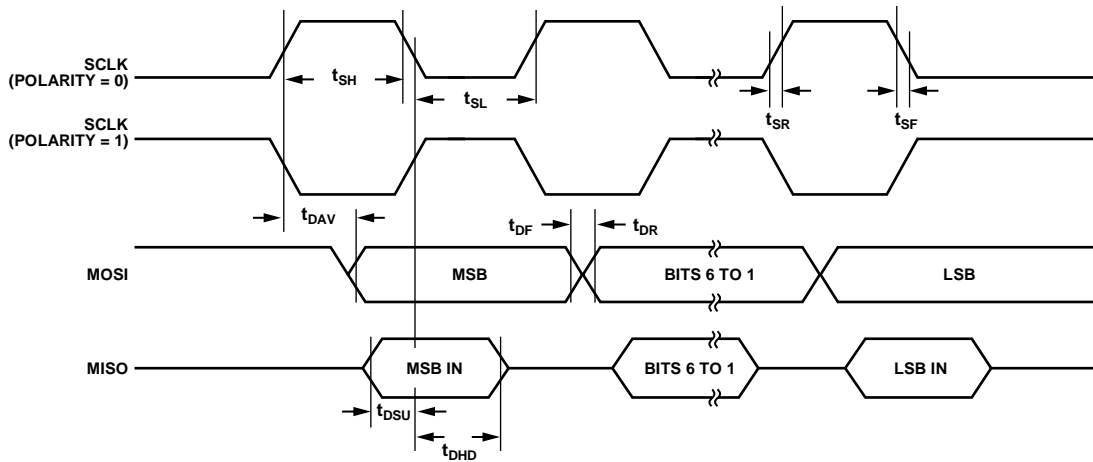


Figure 15. SPI Master Mode Timing (Phase Mode = 1)

049855-095

Table 7. SPI Master Mode Timing (Phase Mode = 0)

| Parameter | Description | Min | Typ | Max | Unit |
|------------|-----------------------------------------------------|---------------------|--------------------------------|------|------|
| t_{SL} | SCLK low pulse width ¹ | | $(SPIDIV + 1) \times t_{HCLK}$ | | ns |
| t_{SH} | SCLK high pulse width ¹ | | $(SPIDIV + 1) \times t_{HCLK}$ | | ns |
| t_{DAV} | Data output valid after SCLK edge | | | 25 | ns |
| t_{DOSU} | Data output setup before SCLK edge | | | 75 | ns |
| t_{DSU} | Data input setup time before SCLK edge ² | $1 \times t_{UCLK}$ | | | ns |
| t_{DHD} | Data input hold time after SCLK edge ² | $2 \times t_{UCLK}$ | | | ns |
| t_{DF} | Data output fall time | | 5 | 12.5 | ns |
| t_{DR} | Data output rise time | | 5 | 12.5 | ns |
| t_{SR} | SCLK rise time | | 5 | 12.5 | ns |
| t_{SF} | SCLK fall time | | 5 | 12.5 | ns |

¹ t_{HCLK} depends on the clock divider or CD bits in the POWCONMMR. $t_{HCLK} = t_{UCLK}/2^{CD}$; see Figure 67.

² $t_{UCLK} = 23.9$ ns. It corresponds to the 41.78 MHz internal clock from the PLL before the clock divider; see Figure 67.

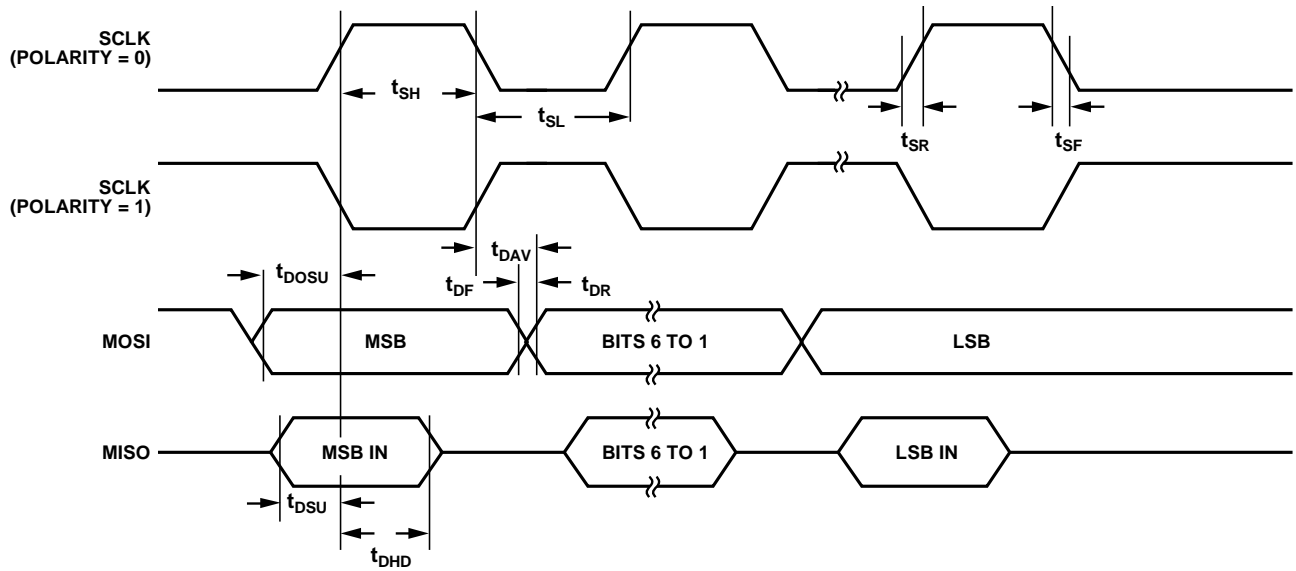


Figure 16. SPI Master Mode Timing (Phase Mode = 0)

04955-036

Table 8. SPI Slave Mode Timing (Phase Mode = 1)

| Parameter | Description | Min | Typ | Max | Unit |
|---------------------|-----------------------------------------------------|---------------------------------------------|--------------------------------|------|------|
| $t_{\overline{CS}}$ | \overline{CS} to SCLK edge ¹ | $(2 \times t_{HCLK}) + (2 \times t_{UCLK})$ | | | ns |
| t_{SL} | SCLK low pulse width ² | | $(SPIDIV + 1) \times t_{HCLK}$ | | ns |
| t_{SH} | SCLK high pulse width ² | | $(SPIDIV + 1) \times t_{HCLK}$ | | ns |
| t_{DAV} | Data output valid after SCLK edge | | | 25 | ns |
| t_{DSU} | Data input setup time before SCLK edge ¹ | $1 \times t_{UCLK}$ | | | ns |
| t_{DHD} | Data input hold time after SCLK edge ¹ | $2 \times t_{UCLK}$ | | | ns |
| t_{DF} | Data output fall time | | 5 | 12.5 | ns |
| t_{DR} | Data output rise time | | 5 | 12.5 | ns |
| t_{SR} | SCLK rise time | | 5 | 12.5 | ns |
| t_{SF} | SCLK fall time | | 5 | 12.5 | ns |
| t_{SFS} | \overline{CS} high after SCLK edge | 0 | | | ns |

¹ $t_{UCLK} = 23.9$ ns. It corresponds to the 41.78 MHz internal clock from the PLL before the clock divider; see Figure 67.

² t_{HCLK} depends on the clock divider or CD bits in the POWCONMMR. $t_{HCLK} = t_{UCLK}/2^{CD}$; see Figure 67.

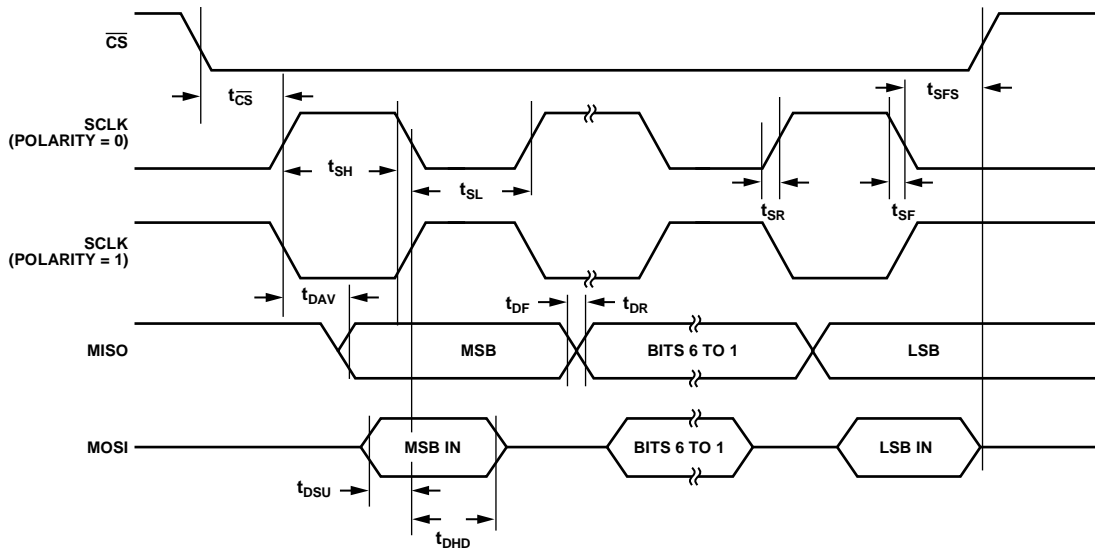


Figure 17. SPI Slave Mode Timing (Phase Mode = 1)

04955-057

Table 9. SPI Slave Mode Timing (Phase Mode = 0)

| Parameter | Description | Min | Typ | Max | Unit |
|---------------------|-----------------------------------------------------|---------------------------------------------|--------------------------------|------|------|
| $t_{\overline{CS}}$ | \overline{CS} to SCLK edge ¹ | $(2 \times t_{HCLK}) + (2 \times t_{UCLK})$ | | | ns |
| t_{SL} | SCLK low pulse width ² | | $(SPIDIV + 1) \times t_{HCLK}$ | | ns |
| t_{SH} | SCLK high pulse width ² | | $(SPIDIV + 1) \times t_{HCLK}$ | | ns |
| t_{DAV} | Data output valid after SCLK edge | | | 25 | ns |
| t_{DSU} | Data input setup time before SCLK edge ¹ | $1 \times t_{UCLK}$ | | | ns |
| t_{DHD} | Data input hold time after SCLK edge ¹ | $2 \times t_{UCLK}$ | | | ns |
| t_{DF} | Data output fall time | | 5 | 12.5 | ns |
| t_{DR} | Data output rise time | | 5 | 12.5 | ns |
| t_{SR} | SCLK rise time | | 5 | 12.5 | ns |
| t_{SF} | SCLK fall time | | 5 | 12.5 | ns |
| t_{DOCS} | Data output valid after \overline{CS} edge | | | 25 | ns |
| t_{SFS} | \overline{CS} high after SCLK edge | 0 | | | ns |

¹ $t_{UCLK} = 23.9$ ns. It corresponds to the 41.78 MHz internal clock from the PLL before the clock divider; see Figure 67.

² t_{HCLK} depends on the clock divider or CD bits in the POWCONMMR. $t_{HCLK} = t_{UCLK}/2^{CD}$; see Figure 67.

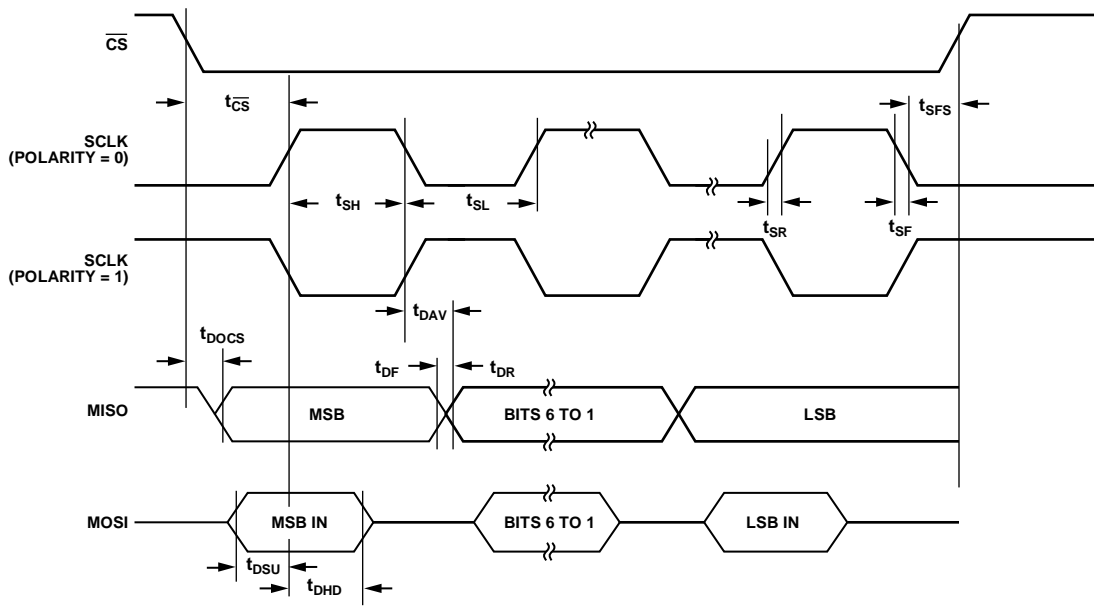


Figure 18. SPI Slave Mode Timing (Phase Mode = 0)

0-4955-058

ABSOLUTE MAXIMUM RATINGS

AGND = REFGND = DACGND = GND_{REF}, T_A = 25°C, unless otherwise noted.

Table 10.

| Parameter | Rating |
|------------------------------------------------------|-------------------------------------|
| AV _{DD} to IOV _{DD} | −0.3 V to +0.3 V |
| AGND to DGND | −0.3 V to +0.3 V |
| IOV _{DD} to IOGND, AV _{DD} to AGND | −0.3 V to +6 V |
| Digital Input Voltage to IOGND | −0.3 V to +5.3 V |
| Digital Output Voltage to IOGND | −0.3 V to IOV _{DD} + 0.3 V |
| V _{REF} to AGND | −0.3 V to AV _{DD} + 0.3 V |
| Analog Inputs to AGND | −0.3 V to AV _{DD} + 0.3 V |
| Analog Outputs to AGND | −0.3 V to AV _{DD} + 0.3 V |
| Operating Temperature Range, Industrial | −40°C to +125°C |
| Storage Temperature Range | −65°C to +150°C |
| Junction Temperature | 150°C |
| θ _{JA} Thermal Impedance | |
| 40-Lead LFCSP | 26°C/W |
| 49-Ball CSP_BGA | 80°C/W |
| 64-Lead LFCSP | 24°C/W |
| 64-Ball CSP_BGA | 75°C/W |
| 64-Lead LQFP | 47°C/W |
| 80-Lead LQFP | 38°C/W |
| Peak Solder Reflow Temperature | |
| SnPb Assemblies (10 sec to 30 sec) | 240°C |
| RoHS Compliant Assemblies (20 sec to 40 sec) | 260°C |

Stresses above those listed under Absolute Maximum Ratings may cause permanent damage to the device. This is a stress rating only; functional operation of the device at these or any other conditions above those indicated in the operational section of this specification is not implied. Exposure to absolute maximum rating conditions for extended periods may affect device reliability.

Only one absolute maximum rating can be applied at any one time.

ESD CAUTION

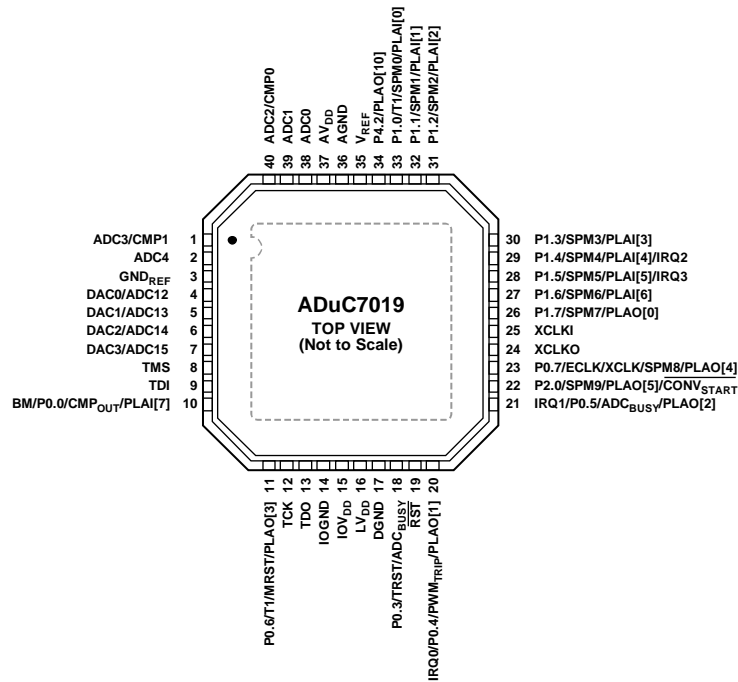


ESD (electrostatic discharge) sensitive device.

Charged devices and circuit boards can discharge without detection. Although this product features patented or proprietary protection circuitry, damage may occur on devices subjected to high energy ESD. Therefore, proper ESD precautions should be taken to avoid performance degradation or loss of functionality.

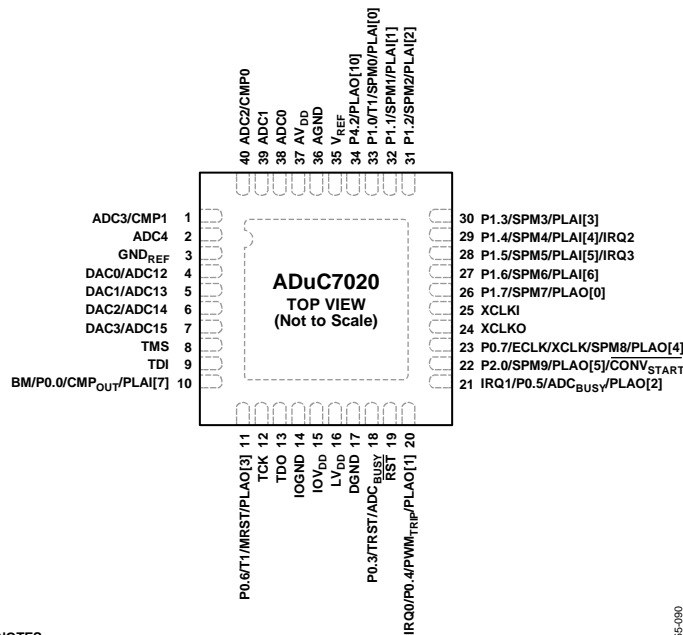
PIN CONFIGURATIONS AND FUNCTION DESCRIPTIONS

ADuC7019/ADuC7020/ADuC7021/ADuC7022



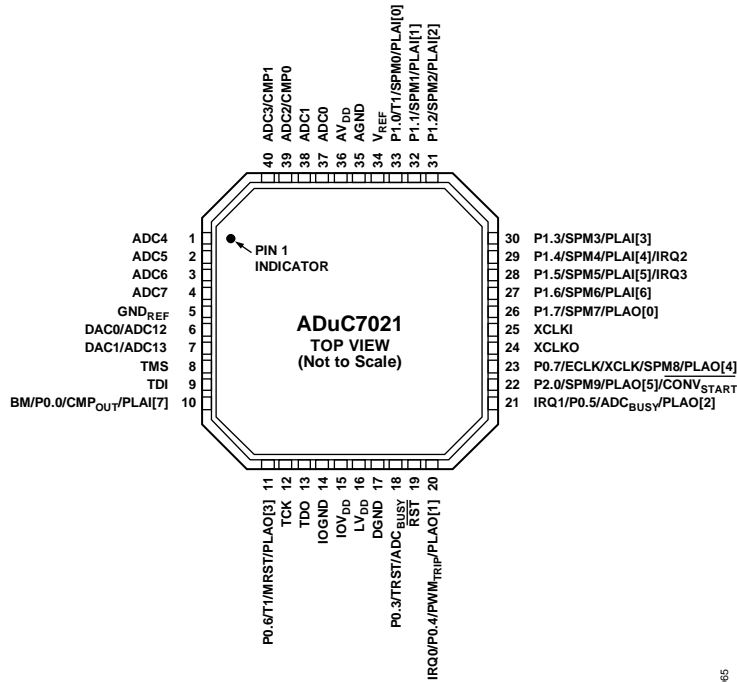
NOTES
1. THE EXPOSED PAD MUST BE SOLDERED FOR MECHANICAL PURPOSES AND LEFT UNCONNECTED.
Figure 19. 40-Lead LFCSP_VQ Pin Configuration (ADuC7019)

04955-064



NOTES
1. THE EXPOSED PAD MUST BE SOLDERED FOR MECHANICAL PURPOSES AND LEFT UNCONNECTED.
Figure 20. 40-Lead LFCSP_WQ Pin Configuration (ADuC7020)

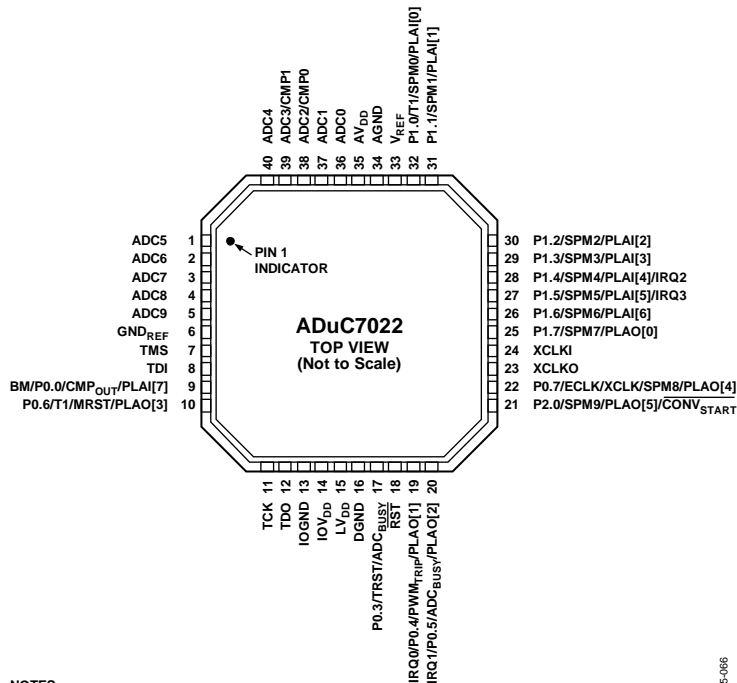
04955-090



NOTES
 1. THE EXPOSED PAD MUST BE SOLDERED FOR MECHANICAL PURPOSES AND LEFT UNCONNECTED.

04955-085

Figure 21. 40-Lead LFCSP_VQ Pin Configuration (ADuC7021)



NOTES
 1. THE EXPOSED PAD MUST BE SOLDERED FOR MECHANICAL PURPOSES AND LEFT UNCONNECTED.

04955-086

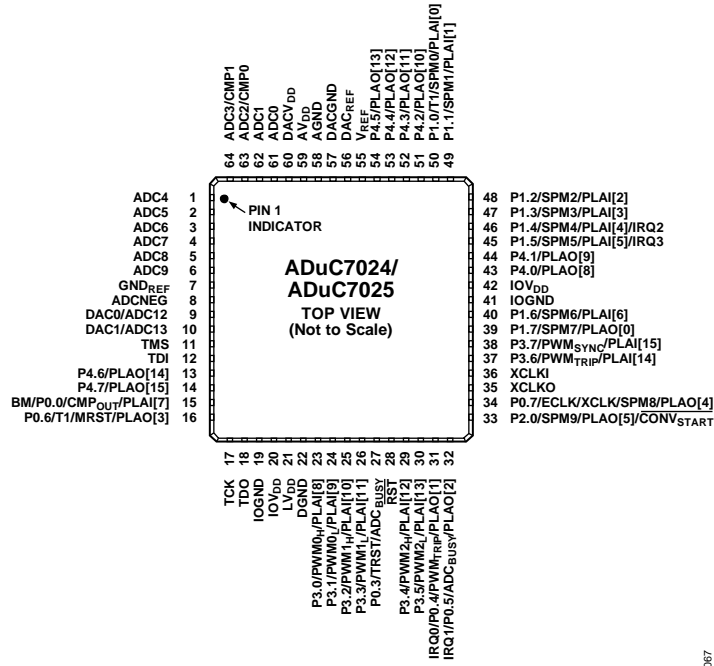
Figure 22. 40-Lead LFCSP_VQ Pin Configuration (ADuC7022)

Table 11. Pin Function Descriptions (ADuC7019/ADuC7020/ADuC7021/ADuC7022)

| Pin No. | | | Mnemonic | Description |
|-----------|------|------|----------------------------------------|------------------------------------------------------------------------------------------------------------------------------------------------------------------------------------------------------------------------------------------------------------------------------------------------------------|
| 7019/7020 | 7021 | 7022 | | |
| 38 | 37 | 36 | ADC0 | Single-Ended or Differential Analog Input 0. |
| 39 | 38 | 37 | ADC1 | Single-Ended or Differential Analog Input 1. |
| 40 | 39 | 38 | ADC2/CMP0 | Single-Ended or Differential Analog Input 2/Comparator Positive Input. |
| 1 | 40 | 39 | ADC3/CMP1 | Single-Ended or Differential Analog Input 3 (Buffered Input on ADuC7019)/Comparator Negative Input. |
| 2 | 1 | 40 | ADC4 | Single-Ended or Differential Analog Input 4. |
| – | 2 | 1 | ADC5 | Single-Ended or Differential Analog Input 5. |
| – | 3 | 2 | ADC6 | Single-Ended or Differential Analog Input 6. |
| – | 4 | 3 | ADC7 | Single-Ended or Differential Analog Input 7. |
| – | – | 4 | ADC8 | Single-Ended or Differential Analog Input 8. |
| – | – | 5 | ADC9 | Single-Ended or Differential Analog Input 9. |
| 3 | 5 | 6 | GND _{REF} | Ground Voltage Reference for the ADC. For optimal performance, the analog power supply should be separated from IOGND and DGND. |
| 4 | 6 | – | DAC0/ADC12 | DAC0 Voltage Output/Single-Ended or Differential Analog Input 12. |
| 5 | 7 | – | DAC1/ADC13 | DAC1 Voltage Output/Single-Ended or Differential Analog Input 13. |
| 6 | – | – | DAC2/ADC14 | DAC2 Voltage Output/Single-Ended or Differential Analog Input 14. |
| 7 | – | – | DAC3/ADC15 | DAC3 Voltage Output on ADuC7020. On the ADuC7019, a 10 nF capacitor must be connected between this pin and AGND/Single-Ended or Differential Analog Input 15 (see Figure 53). |
| 8 | 8 | 7 | TMS | Test Mode Select, JTAG Test Port Input. Debug and download access. This pin has an internal pull-up resistor to IOV _{DD} . In some cases, an external pull-up resistor (~100K) is also required to ensure that the part does not enter an erroneous state. |
| 9 | 9 | 8 | TDI | Test Data In, JTAG Test Port Input. Debug and download access. |
| 10 | 10 | 9 | BM/P0.0/CMP _{OUT} /PLAI[7] | Multifunction I/O Pin. Boot Mode (BM). The ADuC7019/20/21/22 enter serial download mode if BM is low at reset and execute code if BM is pulled high at reset through a 1 k Ω resistor/General-Purpose Input and Output Port 0.0/Voltage Comparator Output/Programmable Logic Array Input Element 7. |
| 11 | 11 | 10 | P0.6/T1/MRST/PLAO[3] | Multifunction Pin. Driven low after reset. General-Purpose Output Port 0.6/Timer1 Input/Power-On Reset Output/Programmable Logic Array Output Element 3. |
| 12 | 12 | 11 | TCK | Test Clock, JTAG Test Port Input. Debug and download access. This pin has an internal pull-up resistor to IOV _{DD} . In some cases an external pull-up resistor (~100K) is also required to ensure that the part does not enter an erroneous state. |
| 13 | 13 | 12 | TDO | Test Data Out, JTAG Test Port Output. Debug and download access. |
| 14 | 14 | 13 | IOGND | Ground for GPIO (see Table 78). Typically connected to DGND. |
| 15 | 15 | 14 | IOV _{DD} | 3.3 V Supply for GPIO (see Table 78) and Input of the On-Chip Voltage Regulator. |
| 16 | 16 | 15 | LV _{DD} | 2.6 V Output of the On-Chip Voltage Regulator. This output must be connected to a 0.47 μ F capacitor to DGND only. |
| 17 | 17 | 16 | DGND | Ground for Core Logic. |
| 18 | 18 | 17 | P0.3/TRST/ADC _{BUSY} | General-Purpose Input and Output Port 0.3/Test Reset, JTAG Test Port Input/ADC _{BUSY} Signal Output. |
| 19 | 19 | 18 | $\overline{\text{RST}}$ | Reset Input, Active Low. |
| 20 | 20 | 19 | IRQ0/P0.4/PWM _{TRIP} /PLAO[1] | Multifunction I/O Pin. External Interrupt Request 0, Active High/General-Purpose Input and Output Port 0.4/PWM Trip External Input/Programmable Logic Array Output Element 1. |
| 21 | 21 | 20 | IRQ1/P0.5/ADC _{BUSY} /PLAO[2] | Multifunction I/O Pin. External Interrupt Request 1, Active High/General-Purpose Input and Output Port 0.5/ADC _{BUSY} Signal Output/Programmable Logic Array Output Element 2. |

| Pin No. | | | Mnemonic | Description |
|-----------|------|------|-----------------------------------------|----------------------------------------------------------------------------------------------------------------------------------------------------------------------------------------------------|
| 7019/7020 | 7021 | 7022 | | |
| 22 | 22 | 21 | P2.0/SPM9/PLAO[5]/CONV _{START} | Serial Port Multiplexed. General-Purpose Input and Output Port 2.0/UART/Programmable Logic Array Output Element 5/Start Conversion Input Signal for ADC. |
| 23 | 23 | 22 | P0.7/ECLK/XCLK/SPM8/PLAO[4] | Serial Port Multiplexed. General-Purpose Input and Output Port 0.7/Output for External Clock Signal/Input to the Internal Clock Generator Circuits/UART/Programmable Logic Array Output Element 4. |
| 24 | 24 | 23 | XCLKO | Output from the Crystal Oscillator Inverter. |
| 25 | 25 | 24 | XCLKI | Input to the Crystal Oscillator Inverter and Input to the Internal Clock Generator Circuits. |
| 26 | 26 | 25 | P1.7/SPM7/PLAO[0] | Serial Port Multiplexed. General-Purpose Input and Output Port 1.7/UART, SPI/Programmable Logic Array Output Element 0. |
| 27 | 27 | 26 | P1.6/SPM6/PLAI[6] | Serial Port Multiplexed. General-Purpose Input and Output Port 1.6/UART, SPI/Programmable Logic Array Input Element 6. |
| 28 | 28 | 27 | P1.5/SPM5/PLAI[5]/IRQ3 | Serial Port Multiplexed. General-Purpose Input and Output Port 1.5/UART, SPI/Programmable Logic Array Input Element 5/External Interrupt Request 3, Active High. |
| 29 | 29 | 28 | P1.4/SPM4/PLAI[4]/IRQ2 | Serial Port Multiplexed. General-Purpose Input and Output Port 1.4/UART, SPI/Programmable Logic Array Input Element 4/External Interrupt Request 2, Active High. |
| 30 | 30 | 29 | P1.3/SPM3/PLAI[3] | Serial Port Multiplexed. General-Purpose Input and Output Port 1.3/UART, I2C1/Programmable Logic Array Input Element 3. |
| 31 | 31 | 30 | P1.2/SPM2/PLAI[2] | Serial Port Multiplexed. General-Purpose Input and Output Port 1.2/UART, I2C1/Programmable Logic Array Input Element 2. |
| 32 | 32 | 31 | P1.1/SPM1/PLAI[1] | Serial Port Multiplexed. General-Purpose Input and Output Port 1.1/UART, I2C0/Programmable Logic Array Input Element 1. |
| 33 | 33 | 32 | P1.0/T1/SPM0/PLAI[0] | Serial Port Multiplexed. General-Purpose Input and Output Port 1.0/Timer1 Input/UART, I2C0/Programmable Logic Array Input Element 0. |
| 34 | – | – | P4.2/PLAO[10] | General-Purpose Input and Output Port 4.2/Programmable Logic Array Output Element 10. |
| 35 | 34 | 33 | V _{REF} | 2.5 V Internal Voltage Reference. Must be connected to a 0.47 µF capacitor when using the internal reference. |
| 36 | 35 | 34 | AGND | Analog Ground. Ground reference point for the analog circuitry. |
| 37 | 36 | 35 | AV _{DD} | 3.3 V Analog Power. |
| 0 | 0 | 0 | EP | Exposed Pad. The pin configuration for the ADuC7019/ADuC7020/ADuC7021/ADuC7022 has an exposed pad that must be soldered for mechanical purposes and left unconnected. |

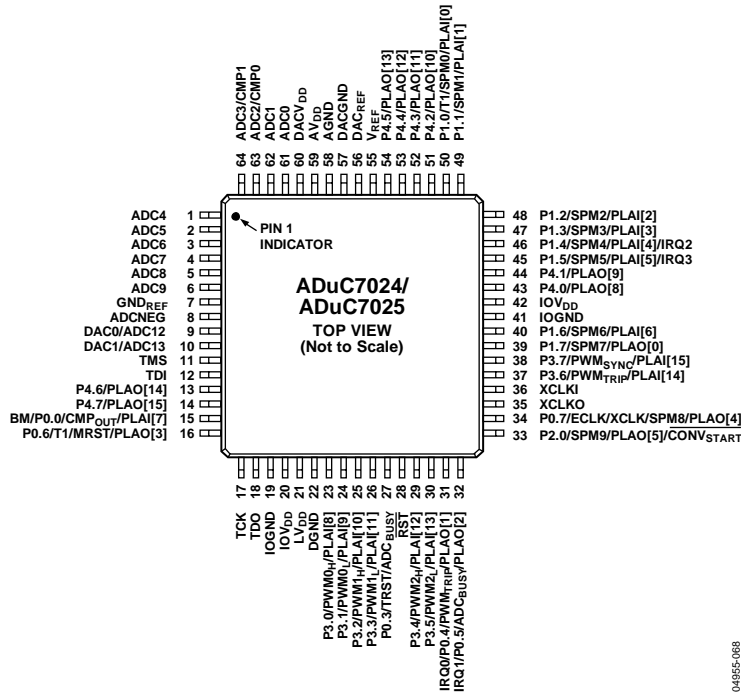
ADuC7024/ADuC7025



NOTES
1. THE EXPOSED PAD MUST BE SOLDERED FOR MECHANICAL PURPOSES AND LEFT UNCONNECTED.

04955-067

Figure 23. 64-Lead LFCSP_VQ Pin Configuration (ADuC7024/ADuC7025)



04955-068

Figure 24. 64-Lead LQFP Pin Configuration (ADuC7024/ADuC7025)

Table 12. Pin Function Descriptions (ADuC7024/ADuC7025 64-Lead LFCSP_VQ and 64-Lead LQFP)

| Pin No. | Mnemonic | Description |
|---------|-----------------------------------------|------------------------------------------------------------------------------------------------------------------------------------------------------------------------------------------------------------------------------------------------------------------------------------------------|
| 1 | ADC4 | Single-Ended or Differential Analog Input 4. |
| 2 | ADC5 | Single-Ended or Differential Analog Input 5. |
| 3 | ADC6 | Single-Ended or Differential Analog Input 6. |
| 4 | ADC7 | Single-Ended or Differential Analog Input 7. |
| 5 | ADC8 | Single-Ended or Differential Analog Input 8. |
| 6 | ADC9 | Single-Ended or Differential Analog Input 9. |
| 7 | GND _{REF} | Ground Voltage Reference for the ADC. For optimal performance, the analog power supply should be separated from IOGND and DGND. |
| 8 | ADCNEG | Bias Point or Negative Analog Input of the ADC in Pseudo Differential Mode. Must be connected to the ground of the signal to convert. This bias point must be between 0 V and 1 V. |
| 9 | DAC0/ADC12 | DAC0 Voltage Output/Single-Ended or Differential Analog Input 12. DAC outputs are not present on the ADuC7025. |
| 10 | DAC1/ADC13 | DAC1 Voltage Output/Single-Ended or Differential Analog Input 13. DAC outputs are not present on the ADuC7025. |
| 11 | TMS | JTAG Test Port Input, Test Mode Select. Debug and download access. |
| 12 | TDI | JTAG Test Port Input, Test Data In. Debug and download access |
| 13 | P4.6/PLAO[14] | General-Purpose Input and Output Port 4.6/Programmable Logic Array Output Element 14. |
| 14 | P4.7/PLAO[15] | General-Purpose Input and Output Port 4.7/Programmable Logic Array Output Element 15. |
| 15 | BM/P0.0/CMP _{OUT} /PLAI[7] | Multifunction I/O Pin. Boot mode. The ADuC7024/ADuC7025 enter download mode if BM is low at reset and execute code if BM is pulled high at reset through a 1 k Ω resistor/General-Purpose Input and Output Port 0.0/Voltage Comparator Output/Programmable Logic Array Input Element 7. |
| 16 | P0.6/T1/MRST/PLAO[3] | Multifunction Pin, Driven Low After Reset. General-Purpose Output Port 0.6/Timer1 Input/Power-On Reset Output/Programmable Logic Array Output Element 3. |
| 17 | TCK | JTAG Test Port Input, Test Clock. Debug and download access. |
| 18 | TDO | JTAG Test Port Output, Test Data Out. Debug and download access. |
| 19 | IOGND | Ground for GPIO (see Table 78). Typically connected to DGND. |
| 20 | IOV _{DD} | 3.3 V Supply for GPIO (see Table 78) and Input of the On-Chip Voltage Regulator. |
| 21 | LV _{DD} | 2.6 V Output of the On-Chip Voltage Regulator. This output must be connected to a 0.47 μ F capacitor to DGND only. |
| 22 | DGND | Ground for Core Logic. |
| 23 | P3.0/PWM0 _H /PLAI[8] | General-Purpose Input and Output Port 3.0/PWM Phase 0 High-Side Output/Programmable Logic Array Input Element 8. |
| 24 | P3.1/PWM0 _L /PLAI[9] | General-Purpose Input and Output Port 3.1/PWM Phase 0 Low-Side Output/Programmable Logic Array Input Element 9. |
| 25 | P3.2/PWM1 _H /PLAI[10] | General-Purpose Input and Output Port 3.2/PWM Phase 1 High-Side Output/Programmable Logic Array Input Element 10. |
| 26 | P3.3/PWM1 _L /PLAI[11] | General-Purpose Input and Output Port 3.3/PWM Phase 1 Low-Side Output/Programmable Logic Array Input Element 11. |
| 27 | P0.3/TRST/ADC _{BUSY} | General-Purpose Input and Output Port 0.3/JTAG Test Port Input, Test Reset/ADC _{BUSY} Signal Output. |
| 28 | RST | Reset Input, Active Low. |
| 29 | P3.4/PWM2 _H /PLAI[12] | General-Purpose Input and Output Port 3.4/PWM Phase 2 High-Side Output/Programmable Logic Array Input 12. |
| 30 | P3.5/PWM2 _L /PLAI[13] | General-Purpose Input and Output Port 3.5/PWM Phase 2 Low-Side Output/Programmable Logic Array Input Element 13. |
| 31 | IRQ0/P0.4/PWM _{TRIP} /PLAO[1] | Multifunction I/O Pin. External Interrupt Request 0, Active High/General-Purpose Input and Output Port 0.4/PWM Trip External Input/Programmable Logic Array Output Element 1. |
| 32 | IRQ1/P0.5/ADC _{BUSY} /PLAO[2] | Multifunction I/O Pin. External Interrupt Request 1, Active High/General-Purpose Input and Output Port 0.5/ADC _{BUSY} Signal Output/Programmable Logic Array Output Element 2. |
| 33 | P2.0/SPM9/PLAO[5]/CONV _{START} | Serial Port Multiplexed. General-Purpose Input and Output Port 2.0/UART/Programmable Logic Array Output Element 5/Start Conversion Input Signal for ADC. |
| 34 | P0.7/ECLK/XCLK/SPM8/PLAO[4] | Serial Port Multiplexed. General-Purpose Input and Output Port 0.7/Output for External Clock Signal/Input to the Internal Clock Generator Circuits/UART/Programmable Logic Array Output Element 4. |
| 35 | XCLKO | Output from the Crystal Oscillator Inverter. |
| 36 | XCLKI | Input to the Crystal Oscillator Inverter and Input to the Internal Clock Generator Circuits. |

| Pin No. | Mnemonic | Description |
|---------|------------------------------------|------------------------------------------------------------------------------------------------------------------------------------------------------------------|
| 37 | P3.6/PWM _{TRIP} /PLAI[14] | General-Purpose Input and Output Port 3.6/PWM Safety Cutoff/Programmable Logic Array Input Element 14. |
| 38 | P3.7/PWM _{SYNC} /PLAI[15] | General-Purpose Input and Output Port 3.7/PWM Synchronization Input and Output/Programmable Logic Array Input Element 15. |
| 39 | P1.7/SPM7/PLAO[0] | Serial Port Multiplexed. General-Purpose Input and Output Port 1.7/UART, SPI/Programmable Logic Array Output Element 0. |
| 40 | P1.6/SPM6/PLAI[6] | Serial Port Multiplexed. General-Purpose Input and Output Port 1.6/UART, SPI/Programmable Logic Array Input Element 6. |
| 41 | IOGND | Ground for GPIO (see Table 78). Typically connected to DGND. |
| 42 | IOV _{DD} | 3.3 V Supply for GPIO (see Table 78) and Input of the On-Chip Voltage Regulator. |
| 43 | P4.0/PLAO[8] | General-Purpose Input and Output Port 4.0/Programmable Logic Array Output Element 8. |
| 44 | P4.1/PLAO[9] | General-Purpose Input and Output Port 4.1/Programmable Logic Array Output Element 9. |
| 45 | P1.5/SPM5/PLAI[5]/IRQ3 | Serial Port Multiplexed. General-Purpose Input and Output Port 1.5/UART, SPI/Programmable Logic Array Input Element 5/External Interrupt Request 3, Active High. |
| 46 | P1.4/SPM4/PLAI[4]/IRQ2 | Serial Port Multiplexed. General-Purpose Input and Output Port 1.4/UART, SPI/Programmable Logic Array Input Element 4/External Interrupt Request 2, Active High. |
| 47 | P1.3/SPM3/PLAI[3] | Serial Port Multiplexed. General-Purpose Input and Output Port 1.3/UART, I2C1/Programmable Logic Array Input Element 3. |
| 48 | P1.2/SPM2/PLAI[2] | Serial Port Multiplexed. General-Purpose Input and Output Port 1.2/UART, I2C1/Programmable Logic Array Input Element 2. |
| 49 | P1.1/SPM1/PLAI[1] | Serial Port Multiplexed. General-Purpose Input and Output Port 1.1/UART, I2C0/Programmable Logic Array Input Element 1. |
| 50 | P1.0/T1/SPM0/PLAI[0] | Serial Port Multiplexed. General-Purpose Input and Output Port 1.0/Timer1 Input/UART, I2C0/Programmable Logic Array Input Element 0. |
| 51 | P4.2/PLAO[10] | General-Purpose Input and Output Port 4.2/Programmable Logic Array Output Element 10. |
| 52 | P4.3/PLAO[11] | General-Purpose Input and Output Port 4.3/Programmable Logic Array Output Element 11. |
| 53 | P4.4/PLAO[12] | General-Purpose Input and Output Port 4.4/Programmable Logic Array Output Element 12. |
| 54 | P4.5/PLAO[13] | General-Purpose Input and Output Port 4.5/Programmable Logic Array Output Element 13. |
| 55 | V _{REF} | 2.5 V Internal Voltage Reference. Must be connected to a 0.47 μ F capacitor when using the internal reference. |
| 56 | DAC _{REF} | External Voltage Reference for the DACs. Range: DACGND to DACV _{DD} . |
| 57 | DACGND | Ground for the DAC. Typically connected to AGND. |
| 58 | AGND | Analog Ground. Ground reference point for the analog circuitry. |
| 59 | AV _{DD} | 3.3 V Analog Power. |
| 60 | DACV _{DD} | 3.3 V Power Supply for the DACs. Must be connected to AV _{DD} . |
| 61 | ADC0 | Single-Ended or Differential Analog Input 0. |
| 62 | ADC1 | Single-Ended or Differential Analog Input 1. |
| 63 | ADC2/CMP0 | Single-Ended or Differential Analog Input 2/Comparator Positive Input. |
| 64 | ADC3/CMP1 | Single-Ended or Differential Analog Input 3/Comparator Negative Input. |
| 0 | EP | Exposed Pad. The pin configuration for the ADuC7024/ADuC7025 LFCSP_VQ has an exposed pad that must be soldered for mechanical purposes and left unconnected. |

ADuC7026/ADuC7027

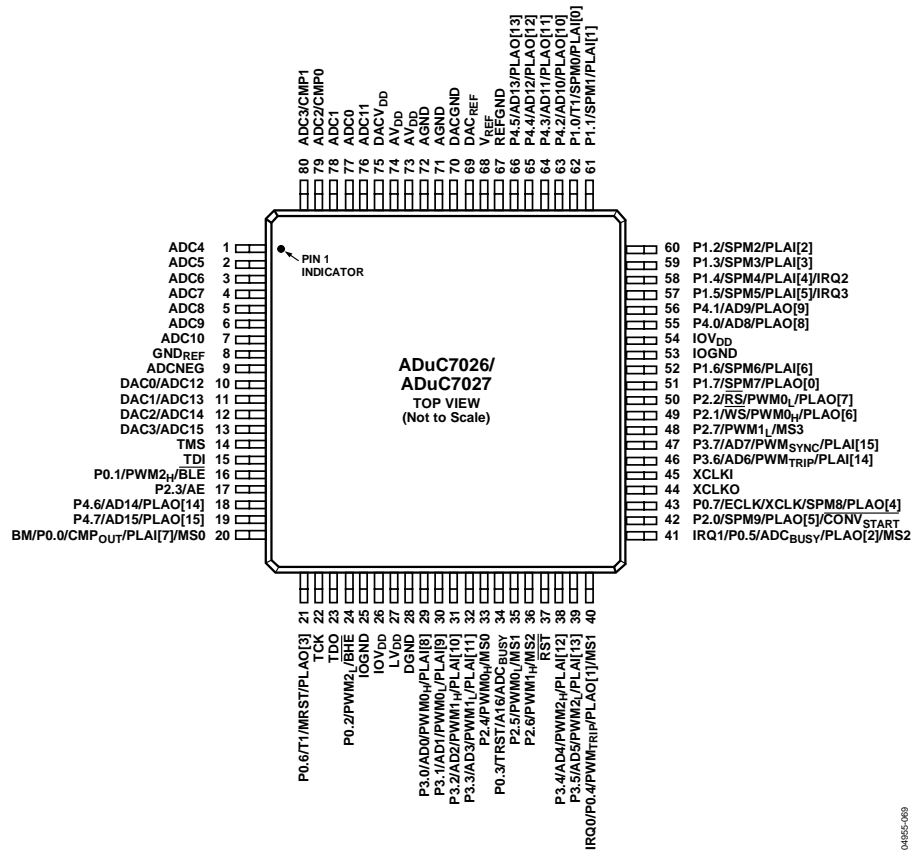


Figure 25. 80-Lead LQFP Pin Configuration (ADuC7026/ADuC7027)

Table 13. Pin Function Descriptions (ADuC7026/ADuC7027)

| Pin No. | Mnemonic | Description |
|---------|-----------------------------|----------------------------------------------------------------------------------------------------------------------------------------------------------------------------------|
| 1 | ADC4 | Single-Ended or Differential Analog Input 4. |
| 2 | ADC5 | Single-Ended or Differential Analog Input 5. |
| 3 | ADC6 | Single-Ended or Differential Analog Input 6. |
| 4 | ADC7 | Single-Ended or Differential Analog Input 7. |
| 5 | ADC8 | Single-Ended or Differential Analog Input 8. |
| 6 | ADC9 | Single-Ended or Differential Analog Input 9. |
| 7 | ADC10 | Single-Ended or Differential Analog Input 10. |
| 8 | GND _{REF} | Ground Voltage Reference for the ADC. For optimal performance, the analog power supply should be separated from IOGND and DGND. |
| 9 | ADCNEG | Bias Point or Negative Analog Input of the ADC in Pseudo Differential Mode. Must be connected to the ground of the signal to convert. This bias point must be between 0V and 1V. |
| 10 | DAC0/ADC12 | DAC0 Voltage Output/Single-Ended or Differential Analog Input 12. DAC outputs are not present on the ADuC7027. |
| 11 | DAC1/ADC13 | DAC1 Voltage Output/Single-Ended or Differential Analog Input 13. DAC outputs are not present on the ADuC7027. |
| 12 | DAC2/ADC14 | DAC2 Voltage Output/Single-Ended or Differential Analog Input 14. DAC outputs are not present on the ADuC7027. |
| 13 | DAC3/ADC15 | DAC3 Voltage Output/Single-Ended or Differential Analog Input 15. DAC outputs are not present on the ADuC7027. |
| 14 | TMS | JTAG Test Port Input, Test Mode Select. Debug and download access. |
| 15 | TDI | JTAG Test Port Input, Test Data In. Debug and download access. |
| 16 | P0.1/PWM2 _H /BLE | General-Purpose Input and Output Port 0.1/PWM Phase 2 High-Side Output/External Memory Byte Low Enable. |
| 17 | P2.3/AE | General-Purpose Input and Output Port 2.3/External Memory Access Enable. |

| Pin No. | Mnemonic | Description |
|---------|------------------------------------------------------------|----------------------------------------------------------------------------------------------------------------------------------------------------------------------------------------------------------------------------------------------------------------------------------------------------------------------|
| 18 | P4.6/AD14/PLAO[14] | General-Purpose Input and Output Port 4.6/External Memory Interface/Programmable Logic Array Output Element 14. |
| 19 | P4.7/AD15/PLAO[15] | General-Purpose Input and Output Port 4.7/External Memory Interface/Programmable Logic Array Output Element 15. |
| 20 | BM/P0.0/CMP _{OUT} /PLAI[7]/MS0 | Multifunction I/O Pin. Boot Mode. The ADuC7026/ADuC7027 enter UART download mode if BM is low at reset and execute code if BM is pulled high at reset through a 1 kΩ resistor/General-Purpose Input and Output Port 0.0/Voltage Comparator Output/Programmable Logic Array Input Element 7/External Memory Select 0. |
| 21 | P0.6/T1/MRST/PLAO[3] | Multifunction Pin, Driven Low After Reset. General-Purpose Output Port 0.6/Timer1 Input/Power-On Reset Output/Programmable Logic Array Output Element 3. |
| 22 | TCK | JTAG Test Port Input, Test Clock. Debug and download access. |
| 23 | TDO | JTAG Test Port Output, Test Data Out. Debug and download access. |
| 24 | P0.2/PWM2 _L /BHE | General-Purpose Input and Output Port 0.2/PWM Phase 2 Low-Side Output/External Memory Byte High Enable. |
| 25 | IOGND | Ground for GPIO (see Table 78). Typically connected to DGND. |
| 26 | IOV _{DD} | 3.3 V Supply for GPIO (see Table 78) and Input of the On-Chip Voltage Regulator. |
| 27 | LV _{DD} | 2.6 V Output of the On-Chip Voltage Regulator. This output must be connected to a 0.47 μF capacitor to DGND only. |
| 28 | DGND | Ground for Core Logic. |
| 29 | P3.0/AD0/PWM0 _H /PLAI[8] | General-Purpose Input and Output Port 3.0/External Memory Interface/PWM Phase 0 High-Side Output/Programmable Logic Array Input Element 8. |
| 30 | P3.1/AD1/PWM0 _L /PLAI[9] | General-Purpose Input and Output Port 3.1/External Memory Interface/PWM Phase 0 Low-Side Output/Programmable Logic Array Input Element 9. |
| 31 | P3.2/AD2/PWM1 _H /PLAI[10] | General-Purpose Input and Output Port 3.2/External Memory Interface/PWM Phase 1 High-Side Output/Programmable Logic Array Input Element 10. |
| 32 | P3.3/AD3/PWM1 _L /PLAI[11] | General-Purpose Input and Output Port 3.3/External Memory Interface/PWM Phase 1 Low-Side Output/Programmable Logic Array Input Element 11. |
| 33 | P2.4/PWM0 _H /MS0 | General-Purpose Input and Output Port 2.4/PWM Phase 0 High-Side Output/External Memory Select 0. |
| 34 | P0.3/TRST/A16/ADC _{BUSY} | General-Purpose Input and Output Port 0.3/JTAG Test Port Input, Test Reset/ADC _{BUSY} Signal Output. |
| 35 | P2.5/PWM0 _L /MS1 | General-Purpose Input and Output Port 2.5/PWM Phase 0 Low-Side Output/External Memory Select 1. |
| 36 | P2.6/PWM1 _H /MS2 | General-Purpose Input and Output Port 2.6/PWM Phase 1 High-Side Output/External Memory Select 2. |
| 37 | $\overline{\text{RST}}$ | Reset Input, Active Low. |
| 38 | P3.4/AD4/PWM2 _H /PLAI[12] | General-Purpose Input and Output Port 3.4/External Memory Interface/PWM Phase 2 High-Side Output/Programmable Logic Array Input 12. |
| 39 | P3.5/AD5/PWM2 _L /PLAI[13] | General-Purpose Input and Output Port 3.5/External Memory Interface/PWM Phase 2 Low-Side Output/Programmable Logic Array Input Element 13. |
| 40 | IRQ0/P0.4/PWM _{TRIP} /PLAO[1]/MS1 | Multifunction I/O Pin. External Interrupt Request 0, Active High/General-Purpose Input and Output Port 0.4/PWM Trip External Input/Programmable Logic Array Output Element 1/External Memory Select 1. |
| 41 | IRQ1/P0.5/ADC _{BUSY} /PLAO[2]/MS2 | Multifunction I/O Pin. External Interrupt Request 1, Active High/General-Purpose Input and Output Port 0.5/ADC _{BUSY} Signal Output/Programmable Logic Array Output Element 2/External Memory Select 2. |
| 42 | P2.0/SPM9/PLAO[5]/ $\overline{\text{CONV}}_{\text{START}}$ | Serial Port Multiplexed. General-Purpose Input and Output Port 2.0/UART/Programmable Logic Array Output Element 5/Start Conversion Input Signal for ADC. |
| 43 | P0.7/ECLK/XCLK/SPM8/PLAO[4] | Serial Port Multiplexed. General-Purpose Input and Output Port 0.7/Output for External Clock Signal/Input to the Internal Clock Generator Circuits/UART/Programmable Logic Array Output Element 4. |
| 44 | XCLKO | Output from the Crystal Oscillator Inverter. |
| 45 | XCLKI | Input to the Crystal Oscillator Inverter and Input to the Internal Clock Generator Circuits. |

| Pin No. | Mnemonic | Description |
|---------|---------------------------------------------------|------------------------------------------------------------------------------------------------------------------------------------------------------------------|
| 46 | P3.6/AD6/PWM _{TRIP} /PLAI[14] | General-Purpose Input and Output Port 3.6/External Memory Interface/PWM Safety Cutoff/Programmable Logic Array Input Element 14. |
| 47 | P3.7/AD7/PWM _{SYNC} /PLAI[15] | General-Purpose Input and Output Port 3.7/External Memory Interface/PWM Synchronization/Programmable Logic Array Input Element 15. |
| 48 | P2.7/PWM1 _L /MS3 | General-Purpose Input and Output Port 2.7/PWM Phase 1 Low-Side Output/External Memory Select 3. |
| 49 | P2.1/ \overline{WS} /PWM0 _H /PLAO[6] | General-Purpose Input and Output Port 2.1/External Memory Write Strobe/PWM Phase 0 High-Side Output/Programmable Logic Array Output Element 6. |
| 50 | P2.2/ \overline{RS} /PWM0 _L /PLAO[7] | General-Purpose Input and Output Port 2.2/External Memory Read Strobe/PWM Phase 0 Low-Side Output/Programmable Logic Array Output Element 7. |
| 51 | P1.7/SPM7/PLAO[0] | Serial Port Multiplexed. General-Purpose Input and Output Port 1.7/UART, SPI/Programmable Logic Array Output Element 0. |
| 52 | P1.6/SPM6/PLAI[6] | Serial Port Multiplexed. General-Purpose Input and Output Port 1.6/UART, SPI/Programmable Logic Array Input Element 6. |
| 53 | I0GND | Ground for GPIO (see Table 78). Typically connected to DGND. |
| 54 | I0V _{DD} | 3.3 V Supply for GPIO (see Table 78) and Input of the On-Chip Voltage Regulator. |
| 55 | P4.0/AD8/PLAO[8] | General-Purpose Input and Output Port 4.0/External Memory Interface/Programmable Logic Array Output Element 8. |
| 56 | P4.1/AD9/PLAO[9] | General-Purpose Input and Output Port 4.1/External Memory Interface/Programmable Logic Array Output Element 9. |
| 57 | P1.5/SPM5/PLAI[5]/IRQ3 | Serial Port Multiplexed. General-Purpose Input and Output Port 1.5/UART, SPI/Programmable Logic Array Input Element 5/External Interrupt Request 3, Active High. |
| 58 | P1.4/SPM4/PLAI[4]/IRQ2 | Serial Port Multiplexed. General-Purpose Input and Output Port 1.4/UART, SPI/Programmable Logic Array Input Element 4/External Interrupt Request 2, Active High. |
| 59 | P1.3/SPM3/PLAI[3] | Serial Port Multiplexed. General-Purpose Input and Output Port 1.3/UART, I2C1/Programmable Logic Array Input Element 3. |
| 60 | P1.2/SPM2/PLAI[2] | Serial Port Multiplexed. General-Purpose Input and Output Port 1.2/UART, I2C1/Programmable Logic Array Input Element 2. |
| 61 | P1.1/SPM1/PLAI[1] | Serial Port Multiplexed. General-Purpose Input and Output Port 1.1/UART, I2C0/Programmable Logic Array Input Element 1. |
| 62 | P1.0/T1/SPM0/PLAI[0] | Serial Port Multiplexed. General-Purpose Input and Output Port 1.0/Timer1 Input/UART, I2C0/Programmable Logic Array Input Element 0. |
| 63 | P4.2/AD10/PLAO[10] | General-Purpose Input and Output Port 4.2/External Memory Interface/Programmable Logic Array Output Element 10. |
| 64 | P4.3/AD11/PLAO[11] | General-Purpose Input and Output Port 4.3/External Memory Interface/Programmable Logic Array Output Element 11. |
| 65 | P4.4/AD12/PLAO[12] | General-Purpose Input and Output Port 4.4/External Memory Interface/Programmable Logic Array Output Element 12. |
| 66 | P4.5/AD13/PLAO[13] | General-Purpose Input and Output Port 4.5/External Memory Interface/Programmable Logic Array Output Element 13. |
| 67 | REFGND | Ground for the Reference. Typically connected to AGND. |
| 68 | V _{REF} | 2.5 V Internal Voltage Reference. Must be connected to a 0.47 μ F capacitor when using the internal reference. |
| 69 | DAC _{REF} | External Voltage Reference for the DACs. Range: DACGND to DACV _{DD} . |
| 70 | DACGND | Ground for the DAC. Typically connected to AGND. |
| 71, 72 | AGND | Analog Ground. Ground reference point for the analog circuitry. |
| 73, 74 | AV _{DD} | 3.3 V Analog Power. |
| 75 | DACV _{DD} | 3.3 V Power Supply for the DACs. Must be connected to AV _{DD} . |
| 76 | ADC11 | Single-Ended or Differential Analog Input 11. |
| 77 | ADC0 | Single-Ended or Differential Analog Input 0. |
| 78 | ADC1 | Single-Ended or Differential Analog Input 1. |
| 79 | ADC2/CMP0 | Single-Ended or Differential Analog Input 2/Comparator Positive Input. |
| 80 | ADC3/CMP1 | Single-Ended or Differential Analog Input 3/Comparator Negative Input. |

ADUC7028

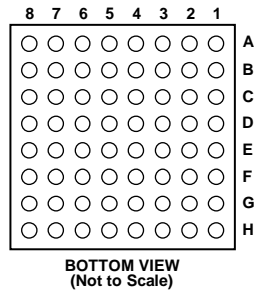


Figure 26. 64-Ball CSP_BGA Pin Configuration (ADuC7028)

Table 14. Pin Function Descriptions (ADuC7028)

| Ball No. | Mnemonic | Description |
|----------|------------------------------------|----------------------------------------------------------------------------------------------------------------------------------------------------------------------------------|
| A1 | ADC3/CMP1 | Single-Ended or Differential Analog Input 3/Comparator Negative Input. |
| A2 | DACV _{DD} | 3.3 V Power Supply for the DACs. Must be connected to AV _{DD} . |
| A3 | AV _{DD} | 3.3 V Analog Power. |
| A4 | AGND | Analog Ground. Ground reference point for the analog circuitry. |
| A5 | DACGND | Ground for the DAC. Typically connected to AGND. |
| A6 | P4.2/PLAO[10] | General-Purpose Input and Output Port 4.2/Programmable Logic Array Output Element 10. |
| A7 | P1.1/SPM1/PLAI[1] | Serial Port Multiplexed. General-Purpose Input and Output Port 1.1/UART, I2C0/Programmable Logic Array Input Element 1. |
| A8 | P1.2/SPM2/PLAI[2] | Serial Port Multiplexed. General-Purpose Input and Output Port 1.2/UART, I2C1/Programmable Logic Array Input Element 2. |
| B1 | ADC4 | Single-Ended or Differential Analog Input 4. |
| B2 | ADC2/CMP0 | Single-Ended or Differential Analog Input 2/Comparator Positive Input. |
| B3 | ADC1 | Single-Ended or Differential Analog Input 1. |
| B4 | DAC _{REF} | External Voltage Reference for the DACs. Range: DACGND to DACV _{DD} . |
| B5 | V _{REF} | 2.5 V Internal Voltage Reference. Must be connected to a 0.47 μ F capacitor when using the internal reference. |
| B6 | P1.0/T1/SPM0/PLAI[0] | Serial Port Multiplexed. General-Purpose Input and Output Port 1.0/Timer1 Input/UART, I2C0/Programmable Logic Array Input Element 0. |
| B7 | P1.4/SPM4/PLAI[4]/IRQ2 | Serial Port Multiplexed. General-Purpose Input and Output Port 1.4/UART, SPI/Programmable Logic Array Input Element 4/External Interrupt Request 2, Active High. |
| B8 | P1.3/SPM3/PLAI[3] | Serial Port Multiplexed. General-Purpose Input and Output Port 1.3/UART, I2C1/Programmable Logic Array Input Element 3. |
| C1 | ADC6 | Single-Ended or Differential Analog Input 6. |
| C2 | ADC5 | Single-Ended or Differential Analog Input 5. |
| C3 | ADC0 | Single-Ended or Differential Analog Input 0. |
| C4 | P4.5/PLAO[13] | General-Purpose Input and Output Port 4.5/Programmable Logic Array Output Element 13. |
| C5 | P4.3/PLAO[11] | General-Purpose Input and Output Port 4.3/Programmable Logic Array Output Element 11. |
| C6 | P4.0/PLAO[8] | General-Purpose Input and Output Port 4.0/Programmable Logic Array Output Element 8. |
| C7 | P4.1/PLAO[9] | General-Purpose Input and Output Port 4.1/Programmable Logic Array Output Element 9. |
| C8 | I0GND | Ground for GPIO (see Table 78). Typically connected to DGND. |
| D1 | ADCNEG | Bias Point or Negative Analog Input of the ADC in Pseudo Differential Mode. Must be connected to the ground of the signal to convert. This bias point must be between 0V and 1V. |
| D2 | GND _{REF} | Ground Voltage Reference for the ADC. For optimal performance, the analog power supply should be separated from I0GND and DGND. |
| D3 | ADC7 | Single-Ended or Differential Analog Input 7. |
| D4 | P4.4/PLAO[12] | General-Purpose Input and Output Port 4.4/Programmable Logic Array Output Element 12. |
| D5 | P3.6/PWM _{TRIP} /PLAI[14] | General-Purpose Input and Output Port 3.6/PWM Safety Cutoff/Programmable Logic Array Input Element 14. |
| D6 | P1.7/SPM7/PLAO[0] | Serial Port Multiplexed. General-Purpose Input and Output Port 1.7/UART, SPI/Programmable Logic Array Output Element 0. |

| Ball No. | Mnemonic | Description |
|----------|------------------------------------------------------------|----------------------------------------------------------------------------------------------------------------------------------------------------------------------------------------------------------------------------------------------------------------------------------------------|
| D7 | P1.6/SPM6/PLAI[6] | Serial Port Multiplexed. General-Purpose Input and Output Port 1.6/UART, SPI/Programmable Logic Array Input Element 6. |
| D8 | IOV _{DD} | 3.3 V Supply for GPIO (see Table 78) and Input of the On-Chip Voltage Regulator. |
| E1 | DAC3/ADC15 | DAC3 Voltage Output/ADC Input 15. |
| E2 | DAC2/ADC14 | DAC2 Voltage Output/ADC Input 14. |
| E3 | DAC1/ADC13 | DAC1 Voltage Output/ADC Input 13. |
| E4 | P3.0/PWM0 _H /PLAI[8] | General-Purpose Input and Output Port 3.0/PWM Phase 0 High-Side Output/Programmable Logic Array Input Element 8. |
| E5 | P3.2/PWM1 _H /PLAI[10] | General-Purpose Input and Output Port 3.2/PWM Phase 1 High-Side Output/Programmable Logic Array Input Element 10. |
| E6 | P1.5/SPM5/PLAI[5]/IRQ3 | Serial Port Multiplexed. General-Purpose Input and Output Port 1.5/UART, SPI/Programmable Logic Array Input Element 5/External Interrupt Request 3, Active High. |
| E7 | P3.7/PWM _{SYNC} /PLAI[15] | General-Purpose Input and Output Port 3.7/PWM Synchronization/Programmable Logic Array Input Element 15. |
| E8 | XCLKI | Input to the Crystal Oscillator Inverter and Input to the Internal Clock Generator Circuits. |
| F1 | P4.6/PLAO[14] | General-Purpose Input and Output Port 4.6/Programmable Logic Array Output Element 14. |
| F2 | TDI | JTAG Test Port Input, Test Data In. Debug and download access. |
| F3 | DAC0/ADC12 | DAC0 Voltage Output/ADC Input 12. |
| F4 | P3.1/PWM0 _L /PLAI[9] | General-Purpose Input and Output Port 3.1/PWM Phase 0 Low-Side Output/Programmable Logic Array Input Element 9. |
| F5 | P3.3/PWM1 _L /PLAI[11] | General-Purpose Input and Output Port 3.3/PWM Phase 1 Low-Side Output/Programmable Logic Array Input Element 11. |
| F6 | $\overline{\text{RST}}$ | Reset Input, Active Low. |
| F7 | P0.7/ECLK/XCLK/SPM8/PLAO[4] | Serial Port Multiplexed. General-Purpose Input and Output Port 0.7/Output for External Clock Signal/Input to the Internal Clock Generator Circuits/UART/Programmable Logic Array Output Element 4. |
| F8 | XCLKO | Output from the Crystal Oscillator Inverter. |
| G1 | BM/P0.0/CMP _{OUT} /PLAI[7] | Multifunction I/O Pin. Boot mode. The ADuC7028 enters UART download mode if BM is low at reset and executes code if BM is pulled high at reset through a 1 k Ω resistor/General-Purpose Input and Output Port 0.0/Voltage Comparator Output/Programmable Logic Array Input Element 7. |
| G2 | P4.7/PLAO[15] | General-Purpose Input and Output Port 4.7/Programmable Logic Array Output Element 15. |
| G3 | TMS | JTAG Test Port Input, Test Mode Select. Debug and download access. |
| G4 | TDO | JTAG Test Port Output, Test Data Out. Debug and download access. |
| G5 | P0.3/TRST/ADC _{BUSY} | General-Purpose Input and Output Port 0.3/JTAG Test Port Input, Test Reset/ADC _{BUSY} Signal Output. |
| G6 | P3.4/PWM2 _H /PLAI[12] | General-Purpose Input and Output Port 3.4/PWM Phase 2 High-Side Output/Programmable Logic Array Input 12. |
| G7 | P3.5/PWM2 _L /PLAI[13] | General-Purpose Input and Output Port 3.5/PWM Phase 2 Low-Side Output/Programmable Logic Array Input Element 13. |
| G8 | P2.0/SPM9/PLAO[5]/ $\overline{\text{CONV}}_{\text{START}}$ | Serial Port Multiplexed. General-Purpose Input and Output Port 2.0/UART/Programmable Logic Array Output Element 5/Start Conversion Input Signal for ADC. |
| H1 | P0.6/T1/MRST/PLAO[3] | Multifunction Pin, Driven Low After Reset. General-Purpose Output Port 0.6/Timer1 Input/Power-On Reset Output/Programmable Logic Array Output Element 3. |
| H2 | TCK | JTAG Test Port Input, Test Clock. Debug and download access. |
| H3 | IOGND | Ground for GPIO (see Table 78). Typically connected to DGND. |
| H4 | IOV _{DD} | 3.3 V Supply for GPIO (see Table 78) and Input of the On-Chip Voltage Regulator. |
| H5 | LV _{DD} | 2.6 V Output of the On-Chip Voltage Regulator. This output must be connected to a 0.47 μF capacitor to DGND only. |
| H6 | DGND | Ground for Core Logic. |
| H7 | IRQ0/P0.4/PWM _{TRIP} /PLAO[1] | Multifunction I/O Pin. External Interrupt Request 0, Active High/General-Purpose Input and Output Port 0.4/PWM Trip External Input/Programmable Logic Array Output Element 1. |
| H8 | IRQ1/P0.5/ADC _{BUSY} /PLAO[2] | Multifunction I/O Pin. External Interrupt Request 1, Active High/General-Purpose Input and Output Port 0.5/ADC _{BUSY} Signal Output/Programmable Logic Array Output Element 2. |

ADUC7029

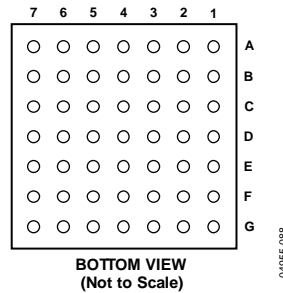


Figure 27. 49-Ball CSP_BGA Pin Configuration (ADuC7029)

Table 15. Pin Function Descriptions (ADuC7029)

| Ball No. | Mnemonic | Description |
|----------|------------------------------------|------------------------------------------------------------------------------------------------------------------------------------------------------------------|
| A1 | ADC3/CMP1 | Single-Ended or Differential Analog Input 3/Comparator Negative Input. |
| A2 | ADC1 | Single-Ended or Differential Analog Input 1. |
| A3 | ADC0 | Single-Ended or Differential Analog Input 0. |
| A4 | AV _{DD} | 3.3 V Analog Power. |
| A5 | V _{REF} | 2.5 V Internal Voltage Reference. Must be connected to a 0.47 μ F capacitor when using the internal reference. |
| A6 | P1.0/T1/SPM0/PLAI[0] | Serial Port Multiplexed. General-Purpose Input and Output Port 1.0/Timer1 Input/UART, I2C0/Programmable Logic Array Input Element 0. |
| A7 | P1.1/SPM1/PLAI[1] | Serial Port Multiplexed. General-Purpose Input and Output Port 1.1/UART, I2C0/Programmable Logic Array Input Element 1. |
| B1 | ADC6 | Single-Ended or Differential Analog Input 6. |
| B2 | ADC5 | Single-Ended or Differential Analog Input 5. |
| B3 | ADC4 | Single-Ended or Differential Analog Input 4. |
| B4 | AGND | Analog Ground. Ground reference point for the analog circuitry. |
| B5 | DAC _{REF} | External Voltage Reference for the DACs. Range: DACGND to DACV _{DD} . |
| B6 | P1.4/SPM4/PLAI[4]/IRQ2 | Serial Port Multiplexed. General-Purpose Input and Output Port 1.4/UART, SPI/Programmable Logic Array Input Element 4/External Interrupt Request 2, Active High. |
| B7 | P1.3/SPM3/PLAI[3] | Serial Port Multiplexed. General-Purpose Input and Output Port 1.3/UART, I2C1/Programmable Logic Array Input Element 3. |
| C1 | GND _{REF} | Ground Voltage Reference for the ADC. For optimal performance, the analog power supply should be separated from IOGND and DGND. |
| C2 | AGND | Analog Ground. Ground reference point for the analog circuitry. |
| C3 | ADC2/CMP0 | Single-Ended or Differential Analog Input 2/Comparator Positive Input. |
| C4 | IOGND | Ground for GPIO (see Table 78). Typically connected to DGND. |
| C5 | P1.2/SPM2/PLAI[2] | Serial Port Multiplexed. General-Purpose Input and Output Port 1.2/UART, I2C1/Programmable Logic Array Input Element 2. |
| C6 | P1.6/SPM6/PLAI[6] | Serial Port Multiplexed. General-Purpose Input and Output Port 1.6/UART, SPI/Programmable Logic Array Input Element 6. |
| C7 | P1.5/SPM5/PLAI[5]/IRQ3 | Serial Port Multiplexed. General-Purpose Input and Output Port 1.5/UART, SPI/Programmable Logic Array Input Element 5/External Interrupt Request 3, Active High. |
| D1 | DAC0/ADC12 | DAC0 Voltage Output/ADC Input 12. |
| D2 | DAC3/ADC15 | DAC3 Voltage Output/ADC Input 15. |
| D3 | DAC1/ADC13 | DAC1 Voltage Output/ADC Input 13. |
| D4 | P3.3/PWM1 _L /PLAI[11] | General-Purpose Input and Output Port 3.3/PWM Phase 1 Low-Side Output/Programmable Logic Array Input Element 11. |
| D5 | P3.4/PWM2 _H /PLAI[12] | General-Purpose Input and Output Port 3.4/PWM Phase 2 High-Side Output/Programmable Logic Array Input 12. |
| D6 | P3.6/PWM _{TRIP} /PLAI[14] | General-Purpose Input and Output Port 3.6/PWM Safety Cutoff/Programmable Logic Array Input Element 14. |
| D7 | P1.7/SPM7/PLAO[0] | Serial Port Multiplexed. General-Purpose Input and Output Port 1.7/UART, SPI/Programmable Logic Array Output Element 0. |

| Ball No. | Mnemonic | Description |
|----------|------------------------------------------------------------|--------------------------------------------------------------------------------------------------------------------------------------------------------------------------------------------------------------------------------------------------------------------------------------|
| E1 | TMS | JTAG Test Port Input, Test Mode Select. Debug and download access. |
| E2 | BM/P0.0/CMP _{OUT} /PLAI[7] | Multifunction I/O Pin. Boot mode. The ADuC7029 enters UART download mode if BM is low at reset and executes code if BM is pulled high at reset through a 1 kΩ resistor/General-Purpose Input and Output Port 0.0/Voltage Comparator Output/Programmable Logic Array Input Element 7. |
| E3 | DAC2/ADC14 | DAC2 Voltage Output/ADC Input 14. |
| E4 | IOV _{DD} | 3.3 V Supply for GPIO (see Table 78) and Input of the On-Chip Voltage Regulator. |
| E5 | P3.2/PWM1 _H /PLAI[10] | General-Purpose Input and Output Port 3.2/PWM Phase 1 High-Side Output/Programmable Logic Array Input Element 10. |
| E6 | P3.5/PWM2 _L /PLAI[13] | General-Purpose Input and Output Port 3.5/PWM Phase 2 Low-Side Output/Programmable Logic Array Input Element 13. |
| E7 | P0.7/ECLK/XCLK/SPM8/PLAO[4] | Serial Port Multiplexed. General-Purpose Input and Output Port 0.7/Output for External Clock Signal/Input to the Internal Clock Generator Circuits/UART/Programmable Logic Array Output Element 4. |
| F1 | TDI | JTAG Test Port Input, Test Data In. Debug and download access. |
| F2 | P0.6/T1/MRST/PLAO[3] | Multifunction Pin, Driven Low After Reset. General-Purpose Output Port 0.6/Timer1 Input/Power-On Reset Output/Programmable Logic Array Output Element 3. |
| F3 | IOGND | Ground for GPIO (see Table 78). Typically connected to DGND. |
| F4 | P3.1/PWM0 _L /PLAI[9] | General-Purpose Input and Output Port 3.1/PWM Phase 0 Low-Side Output/Programmable Logic Array Input Element 9. |
| F5 | P3.0/PWM0 _H /PLAI[8] | General-Purpose Input and Output Port 3.0/PWM Phase 0 High-Side Output/Programmable Logic Array Input Element 8. |
| F6 | $\overline{\text{RST}}$ | Reset Input, Active Low. |
| F7 | P2.0/SPM9/PLAO[5]/ $\overline{\text{CONV}}_{\text{START}}$ | Serial Port Multiplexed. General-Purpose Input and Output Port 2.0/UART/Programmable Logic Array Output Element 5/Start Conversion Input Signal for ADC. |
| G1 | TCK | JTAG Test Port Input, Test Clock. Debug and download access. |
| G2 | TDO | JTAG Test Port Output, Test Data Out. Debug and download access. |
| G3 | LV _{DD} | 2.6 V Output of the On-Chip Voltage Regulator. This output must be connected to a 0.47 μF capacitor to DGND only. |
| G4 | DGND | Ground for Core Logic. |
| G5 | P0.3/TRST/ADC _{BUSY} | General-Purpose Input and Output Port 0.3/JTAG Test Port Input, Test Reset/ADC _{BUSY} Signal Output. |
| G6 | IRQ0/P0.4/PWM _{TRIP} /PLAO[1] | Multifunction I/O Pin. External Interrupt Request 0, Active High/General-Purpose Input and Output Port 0.4/PWM Trip External Input/Programmable Logic Array Output Element 1. |
| G7 | IRQ1/P0.5/ADC _{BUSY} /PLAO[2] | Multifunction I/O Pin. External Interrupt Request 1, Active High/General-Purpose Input and Output Port 0.5/ADC _{BUSY} Signal Output/Programmable Logic Array Output Element 2. |

TYPICAL PERFORMANCE CHARACTERISTICS

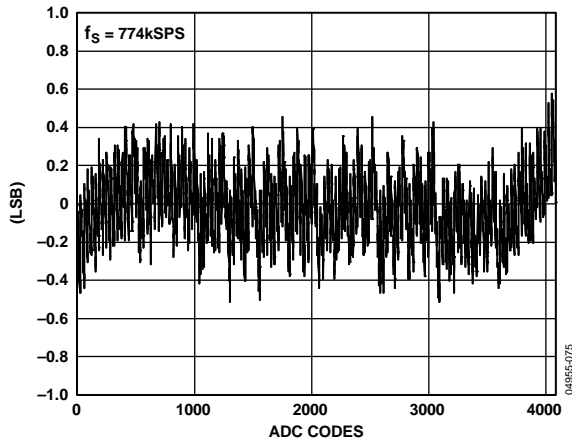


Figure 28. Typical INL Error, $f_s = 774$ kSPS

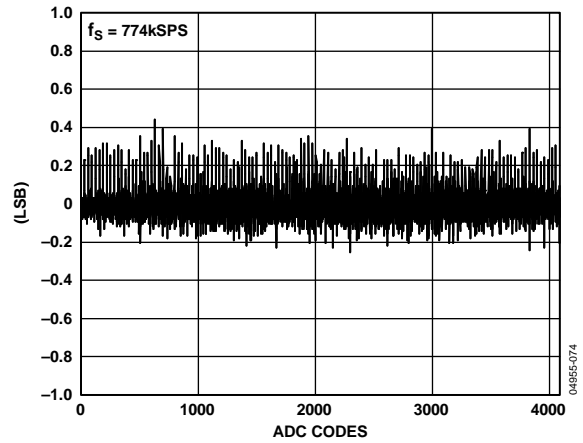


Figure 31. Typical DNL Error, $f_s = 774$ kSPS

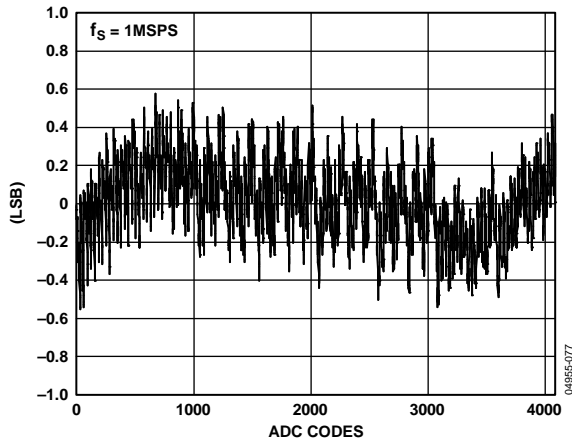


Figure 29. Typical INL Error, $f_s = 1$ MSPS

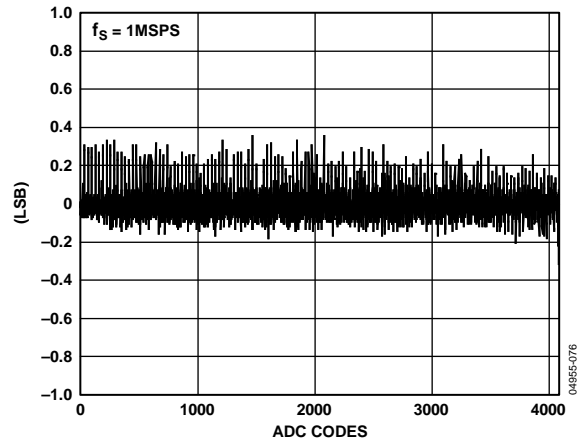


Figure 32. Typical DNL Error, $f_s = 1$ MSPS

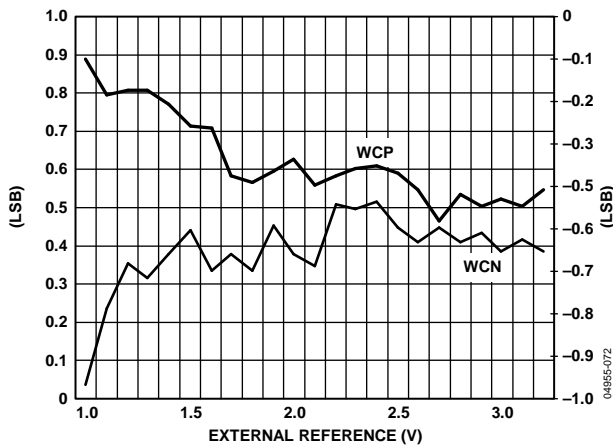


Figure 30. Typical Worst-Case (Positive (WCP) and Negative (WCN)) INL Error vs. V_{REF} , $f_s = 774$ kSPS

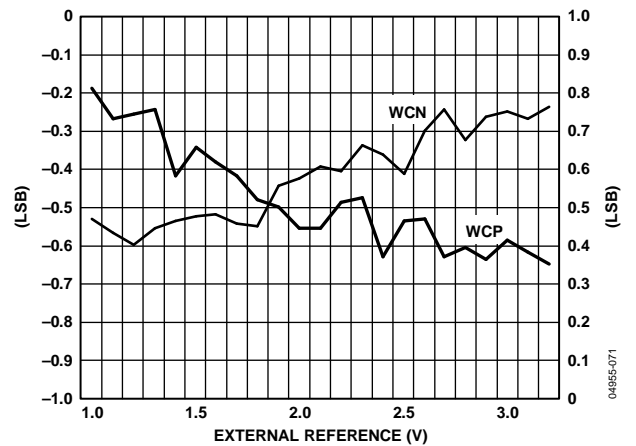


Figure 33. Typical Worst-Case (Positive (WCP) and Negative (WCN)) DNL Error vs. V_{REF} , $f_s = 774$ kSPS

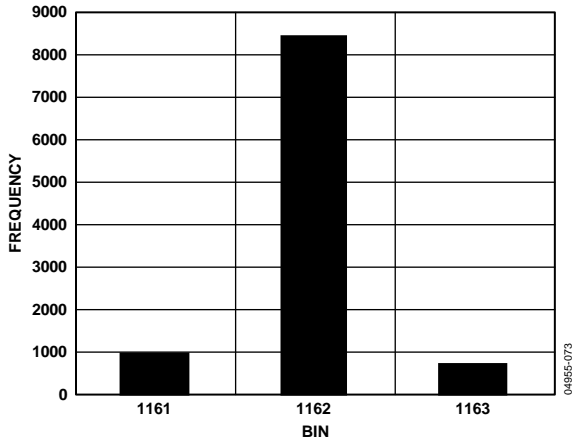


Figure 34. Code Histogram Plot, $f_s = 774 \text{ kSPS}$, $V_{IN} = 0.7 \text{ V}$

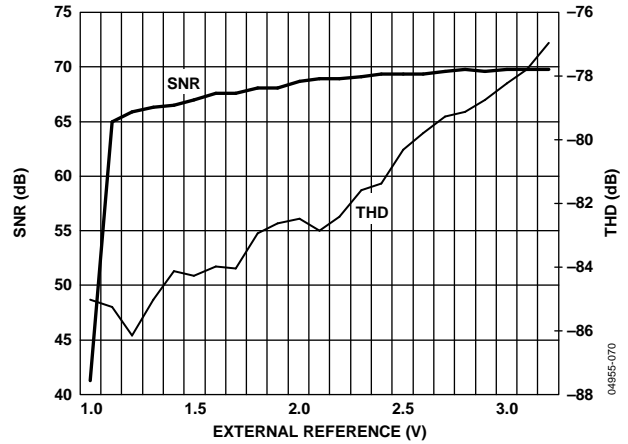


Figure 37. Typical Dynamic Performance vs. V_{REF}

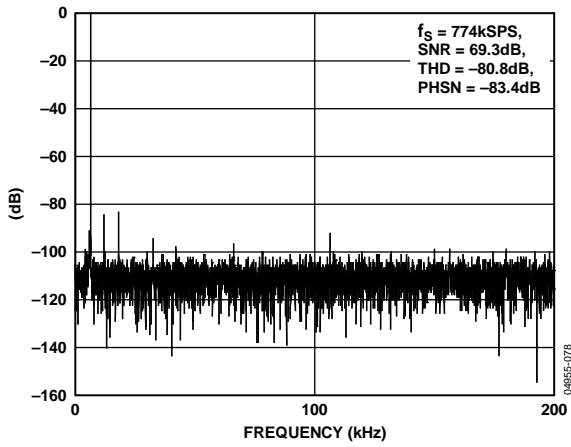


Figure 35. Dynamic Performance, $f_s = 774 \text{ kSPS}$

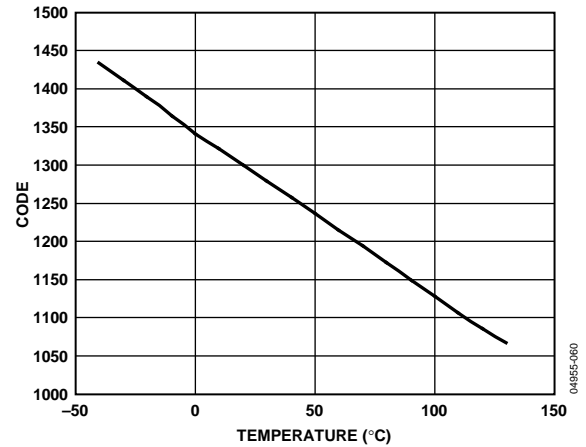


Figure 38. On-Chip Temperature Sensor Voltage Output vs. Temperature

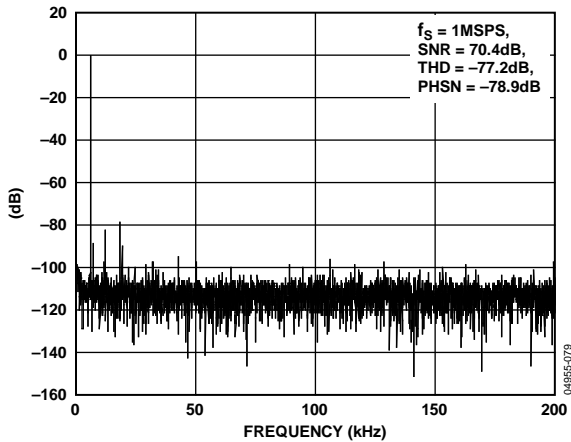


Figure 36. Dynamic Performance, $f_s = 1 \text{ MSPS}$

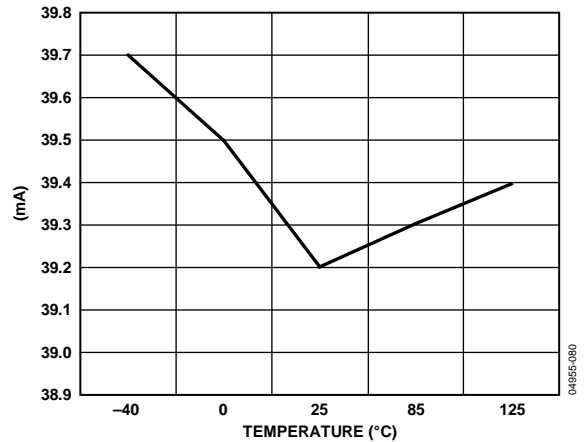


Figure 39. Current Consumption vs. Temperature @ $CD = 0$

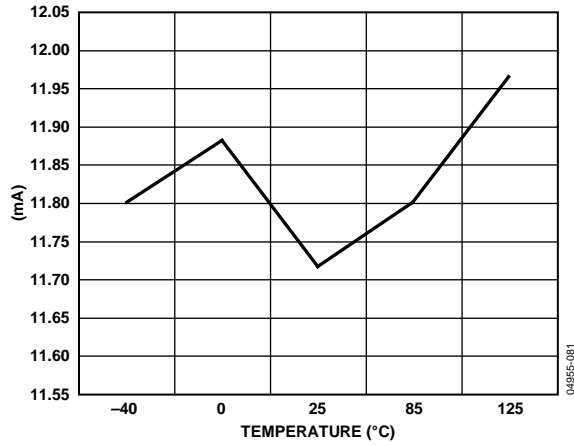


Figure 40. Current Consumption vs. Temperature @ CD = 3

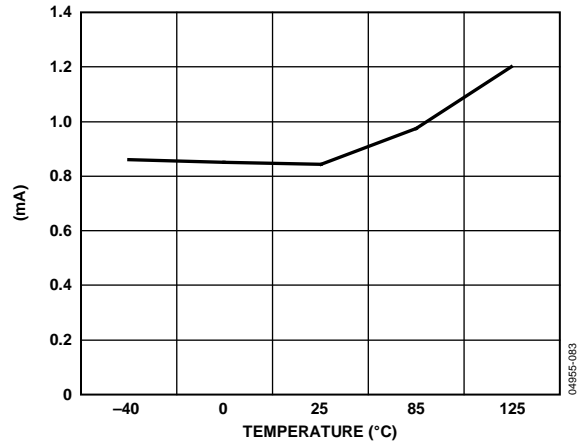


Figure 42. Current Consumption vs. Temperature in Sleep Mode

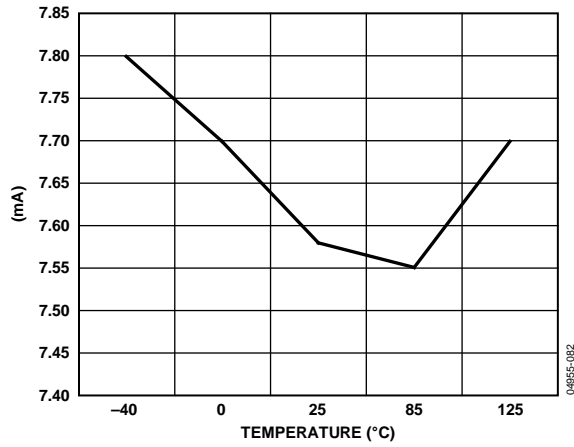


Figure 41. Current Consumption vs. Temperature @ CD = 7

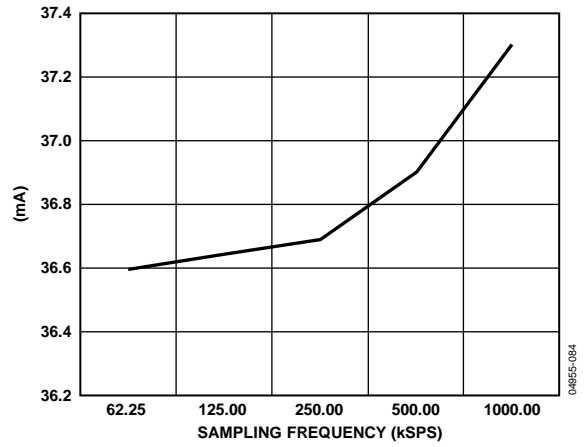


Figure 43. Current Consumption vs. Sampling Frequency

TERMINOLOGY

ADC SPECIFICATIONS

Integral Nonlinearity (INL)

The maximum deviation of any code from a straight line passing through the endpoints of the ADC transfer function. The endpoints of the transfer function are zero scale, a point $\frac{1}{2}$ LSB below the first code transition, and full scale, a point $\frac{1}{2}$ LSB above the last code transition.

Differential Nonlinearity (DNL)

The difference between the measured and the ideal 1 LSB change between any two adjacent codes in the ADC.

Offset Error

The deviation of the first code transition (0000 . . . 000) to (0000 . . . 001) from the ideal, that is, $+\frac{1}{2}$ LSB.

Gain Error

The deviation of the last code transition from the ideal AIN voltage (full scale – 1.5 LSB) after the offset error has been adjusted out.

Signal to (Noise + Distortion) Ratio (SINAD)

The measured ratio of signal to (noise + distortion) at the output of the ADC. The signal is the rms amplitude of the fundamental. Noise is the rms sum of all nonfundamental signals up to half the sampling frequency ($f_s/2$), excluding dc.

The ratio is dependent upon the number of quantization levels in the digitization process; the more levels, the smaller the quantization noise.

The theoretical signal to (noise + distortion) ratio for an ideal N-bit converter with a sine wave input is given by

$$\text{Signal to (Noise + Distortion)} = (6.02 N + 1.76) \text{ dB}$$

Thus, for a 12-bit converter, this is 74 dB.

Total Harmonic Distortion (THD)

The ratio of the rms sum of the harmonics to the fundamental.

DAC SPECIFICATIONS

Relative Accuracy

Otherwise known as endpoint linearity, relative accuracy is a measure of the maximum deviation from a straight line passing through the endpoints of the DAC transfer function. It is measured after adjusting for zero error and full-scale error.

Voltage Output Settling Time

The amount of time it takes the output to settle to within a 1 LSB level for a full-scale input change.

OVERVIEW OF THE ARM7TDMI CORE

The ARM7® core is a 32-bit reduced instruction set computer (RISC). It uses a single 32-bit bus for instruction and data. The length of the data can be eight bits, 16 bits, or 32 bits. The length of the instruction word is 32 bits.

The ARM7TDMI is an ARM7 core with four additional features.

- T support for the thumb (16-bit) instruction set.
- D support for debug.
- M support for long multiplications.
- I includes the EmbeddedICE module to support embedded system debugging.

THUMB MODE (T)

An ARM instruction is 32 bits long. The ARM7TDMI processor supports a second instruction set that is compressed into 16 bits, called the thumb instruction set. Faster execution from 16-bit memory and greater code density can usually be achieved by using the thumb instruction set instead of the ARM instruction set, which makes the ARM7TDMI core particularly suitable for embedded applications.

However, the thumb mode has two limitations.

- Thumb code typically requires more instructions for the same job. As a result, ARM code is usually best for maximizing the performance of time-critical code.
- The thumb instruction set does not include some of the instructions needed for exception handling, which automatically switches the core to ARM code for exception handling.

See the ARM7TDMI user guide for details on the core architecture, the programming model, and both the ARM and ARM thumb instruction sets.

LONG MULTIPLY (M)

The ARM7TDMI instruction set includes four extra instructions that perform 32-bit by 32-bit multiplication with a 64-bit result, and 32-bit by 32-bit multiplication-accumulation (MAC) with a 64-bit result. These results are achieved in fewer cycles than required on a standard ARM7 core.

EmbeddedICE (I)

EmbeddedICE provides integrated on-chip support for the core. The EmbeddedICE module contains the breakpoint and watchpoint registers that allow code to be halted for debugging purposes. These registers are controlled through the JTAG test port.

When a breakpoint or watchpoint is encountered, the processor halts and enters debug state. Once in a debug state, the processor registers can be inspected as well as the Flash/EE, SRAM, and memory mapped registers.

EXCEPTIONS

ARM supports five types of exceptions and a privileged processing mode for each type. The five types of exceptions are

- Normal interrupt or IRQ, which is provided to service general-purpose interrupt handling of internal and external events.
- Fast interrupt or FIQ, which is provided to service data transfers or communication channels with low latency. FIQ has priority over IRQ.
- Memory abort.
- Attempted execution of an undefined instruction.
- Software interrupt instruction (SWI), which can be used to make a call to an operating system.

Typically, the programmer defines interrupt as IRQ, but for higher priority interrupt, that is, faster response time, the programmer can define interrupt as FIQ.

ARM REGISTERS

ARM7TDMI has a total of 37 registers: 31 general-purpose registers and six status registers. Each operating mode has dedicated banked registers.

When writing user-level programs, 15 general-purpose 32-bit registers (R0 to R14), the program counter (R15), and the current program status register (CPSR) are usable. The remaining registers are used for system-level programming and exception handling only.

When an exception occurs, some of the standard registers are replaced with registers specific to the exception mode. All exception modes have replacement banked registers for the stack pointer (R13) and the link register (R14), as represented in Figure 44. The fast interrupt mode has more registers (R8 to R12) for fast interrupt processing. This means that interrupt processing can begin without the need to save or restore these registers and, thus, save critical time in the interrupt handling process.

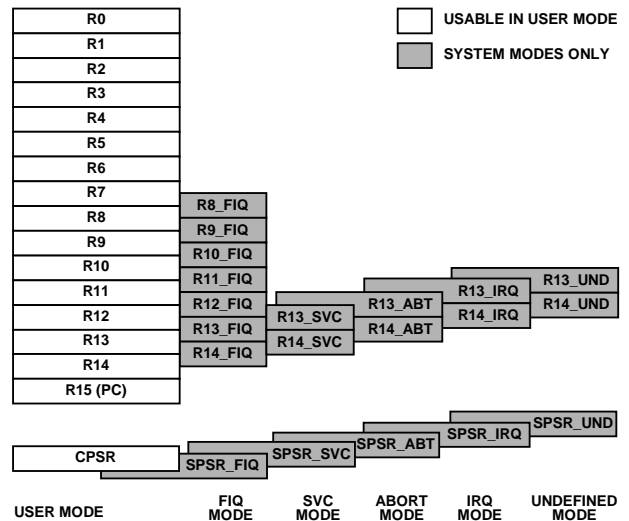


Figure 44. Register Organization

More information relative to the programmer's model and the ARM7TDMI core architecture can be found in the following materials from ARM:

- DDI0029G, *ARM7TDMI Technical Reference Manual*
- DDI-0100, *ARM Architecture Reference Manual*

INTERRUPT LATENCY

The worst-case latency for a fast interrupt request (FIQ) consists of the following:

- The longest time the request can take to pass through the synchronizer
- The time for the longest instruction to complete (the longest instruction is an LDM) that loads all the registers including the PC
- The time for the data abort entry
- The time for FIQ entry

At the end of this time, the ARM7TDMI executes the instruction at 0x1C (FIQ interrupt vector address). The maximum total time is 50 processor cycles, which is just under 1.2 μ s in a system using a continuous 41.78 MHz processor clock.

The maximum interrupt request (IRQ) latency calculation is similar but must allow for the fact that FIQ has higher priority and may delay entry into the IRQ handling routine for an arbitrary length of time. This time can be reduced to 42 cycles if the LDM command is not used. Some compilers have an option to compile without using this command. Another option is to run the part in thumb mode where the time is reduced to 22 cycles.

The minimum latency for FIQ or IRQ interrupts is a total of five cycles, which consist of the shortest time the request can take through the synchronizer plus the time to enter the exception mode.

Note that the ARM7TDMI always runs in ARM (32-bit) mode when in privileged modes, for example, when executing interrupt service routines.

MEMORY ORGANIZATION

The ADuC7019/20/21/22/24/25/26/27/28/29 incorporate two separate blocks of memory: 8 kB of SRAM and 64 kB of on-chip Flash/EE memory. The 62 kB of on-chip Flash/EE memory is available to the user, and the remaining 2 kB are reserved for the factory-configured boot page. These two blocks are mapped as shown in Figure 45.

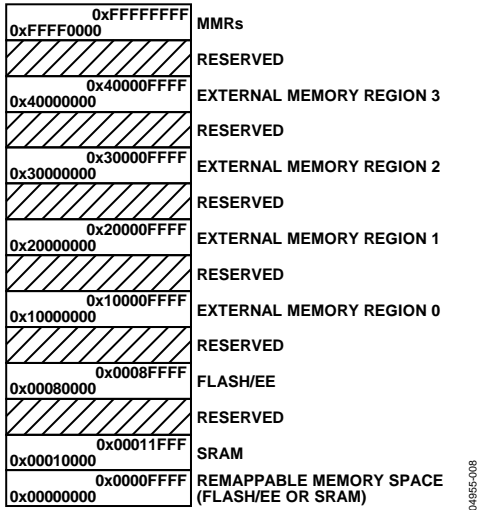


Figure 45. Physical Memory Map

Note that by default, after a reset, the Flash/EE memory is mirrored at Address 0x00000000. It is possible to remap the SRAM at Address 0x00000000 by clearing Bit 0 of the REMAP MMR. This remap function is described in more detail in the Flash/EE Memory section.

MEMORY ACCESS

The ARM7 core sees memory as a linear array of a 2³² byte location where the different blocks of memory are mapped as outlined in Figure 45.

The ADuC7019/20/21/22/24/25/26/27/28/29 memory organizations are configured in little endian format, which means that the least significant byte is located in the lowest byte address, and the most significant byte is in the highest byte address.

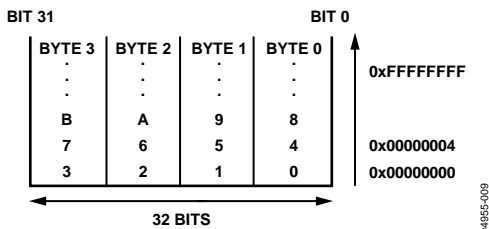


Figure 46. Little Endian Format

FLASH/EE MEMORY

The total 64 kB of Flash/EE memory is organized as 32 k × 16 bits; 31 k × 16 bits is user space and 1 k × 16 bits is reserved for the on-chip kernel. The page size of this Flash/EE memory is 512 bytes.

Sixty-two kilobytes of Flash/EE memory are available to the user as code and nonvolatile data memory. There is no distinction between data and program because ARM code shares the same space. The real width of the Flash/EE memory is 16 bits, which means that in ARM mode (32-bit instruction), two accesses to the Flash/EE are necessary for each instruction fetch. It is therefore recommended to use thumb mode when executing from Flash/EE memory for optimum access speed. The maximum access speed for the Flash/EE memory is 41.78 MHz in thumb mode and 20.89 MHz in full ARM mode. More details about Flash/EE access time are outlined in the Execution Time from SRAM and Flash/EE section.

SRAM

Eight kilobytes of SRAM are available to the user, organized as 2 k × 32 bits, that is, two words. ARM code can run directly from SRAM at 41.78 MHz, given that the SRAM array is configured as a 32-bit wide memory array. More details about SRAM access time are outlined in the Execution Time from SRAM and Flash/EE section.

MEMORY MAPPED REGISTERS

The memory mapped register (MMR) space is mapped into the upper two pages of the memory array and accessed by indirect addressing through the ARM7 banked registers.

The MMR space provides an interface between the CPU and all on-chip peripherals. All registers, except the core registers, reside in the MMR area. All shaded locations shown in Figure 47 are unoccupied or reserved locations and should not be accessed by user software. Table 16 shows the full MMR memory map.

The access time for reading from or writing to an MMR depends on the advanced microcontroller bus architecture (AMBA) bus used to access the peripheral. The processor has two AMBA buses: the advanced high performance bus (AHB) used for system modules and the advanced peripheral bus (APB) used for lower performance peripheral. Access to the AHB is one cycle, and access to the APB is two cycles. All peripherals on the ADuC7019/20/21/22/24/25/26/27/28/29 are on the APB except the Flash/EE memory, the GPIOs (see Table 78), and the PWM.

| | |
|------------|----------------------------|
| 0xFFFFFFFF | |
| 0xFFFFC3C | PWM |
| 0xFFFFC00 | |
| 0xFFFF820 | FLASH CONTROL INTERFACE |
| 0xFFFF800 | |
| 0xFFFF46C | GPIO |
| 0xFFFF400 | |
| 0xFFFF0B54 | PLA |
| 0xFFFF0B00 | |
| 0xFFFF0A14 | SPI |
| 0xFFFF0A00 | |
| 0xFFFF0948 | I2C1 |
| 0xFFFF0900 | |
| 0xFFFF0848 | I2C0 |
| 0xFFFF0800 | |
| 0xFFFF0730 | UART |
| 0xFFFF0700 | |
| 0xFFFF0620 | DAC |
| 0xFFFF0600 | |
| 0xFFFF0538 | ADC |
| 0xFFFF0500 | |
| 0xFFFF0490 | BAND GAP REFERENCE |
| 0xFFFF048C | |
| 0xFFFF0448 | POWER SUPPLY MONITOR |
| 0xFFFF0440 | |
| 0xFFFF0420 | PLL AND OSCILLATOR CONTROL |
| 0xFFFF0404 | |
| 0xFFFF0370 | WATCHDOG TIMER |
| 0xFFFF0360 | |
| 0xFFFF0350 | WAKE-UP TIMER |
| 0xFFFF0340 | |
| 0xFFFF0334 | GENERAL-PURPOSE TIMER |
| 0xFFFF0320 | |
| 0xFFFF0310 | TIMER 0 |
| 0xFFFF0300 | |
| 0xFFFF0238 | REMAP AND SYSTEM CONTROL |
| 0xFFFF0220 | |
| 0xFFFF0110 | INTERRUPT CONTROLLER |
| 0xFFFF0000 | |

Figure 47. Memory Mapped Registers

Table 16. Complete MMR List

| Address | Name | Byte | Access Type | Default Value | Page |
|-------------------------------|---------------------|------|-------------|---------------|------|
| IRQ Address Base = 0xFFFF0000 | | | | | |
| 0x0000 | IRQSTA | 4 | R | 0x00000000 | 83 |
| 0x0004 | IRQSIG ¹ | 4 | R | 0x00XXX000 | 83 |
| 0x0008 | IRQEN | 4 | R/W | 0x00000000 | 83 |
| 0x000C | IRQCLR | 4 | W | 0x00000000 | 83 |
| 0x0010 | SWICFG | 4 | W | 0x00000000 | 84 |
| 0x0100 | FIQSTA | 4 | R | 0x00000000 | 84 |
| 0x0104 | FIQSIG ¹ | 4 | R | 0x00XXX000 | 84 |
| 0x0108 | FIQEN | 4 | R/W | 0x00000000 | 84 |
| 0x010C | FIQCLR | 4 | W | 0x00000000 | 84 |

¹ Depends on the level on the external interrupt pins (P0.4, P0.5, P1.4, and P1.5).

System Control Address Base = 0xFFFF0200

| | | | | | |
|--------|--------|---|-----|-------------------|----|
| 0x0220 | REMAP | 1 | R/W | 0xXX ¹ | 55 |
| 0x0230 | RSTSTA | 1 | R/W | 0x01 | 55 |
| 0x0234 | RSTCLR | 1 | W | 0x00 | 55 |

¹ Depends on the model.

Timer Address Base = 0xFFFF0300

| | | | | | |
|--------|-------|---|-----|------------|----|
| 0x0300 | T0LD | 2 | R/W | 0x0000 | 85 |
| 0x0304 | T0VAL | 2 | R | 0xFFFF | 85 |
| 0x0308 | T0CON | 2 | R/W | 0x0000 | 85 |
| 0x030C | T0CLR | 1 | W | 0xFF | 85 |
| 0x0320 | T1LD | 4 | R/W | 0x00000000 | 86 |
| 0x0324 | T1VAL | 4 | R | 0xFFFFFFFF | 86 |
| 0x0328 | T1CON | 2 | R/W | 0x0000 | 86 |
| 0x032C | T1CLR | 1 | W | 0xFF | 87 |
| 0x0330 | T1CAP | 4 | R/W | 0x00000000 | 87 |
| 0x0340 | T2LD | 4 | R/W | 0x00000000 | 87 |
| 0x0344 | T2VAL | 4 | R | 0xFFFFFFFF | 87 |
| 0x0348 | T2CON | 2 | R/W | 0x0000 | 87 |
| 0x034C | T2CLR | 1 | W | 0xFF | 88 |
| 0x0360 | T3LD | 2 | R/W | 0x0000 | 88 |
| 0x0364 | T3VAL | 2 | R | 0xFFFF | 88 |
| 0x0368 | T3CON | 2 | R/W | 0x0000 | 88 |
| 0x036C | T3CLR | 1 | W | 0x00 | 89 |

PLL Base Address = 0xFFFF0400

| | | | | | |
|--------|---------|---|-----|--------|----|
| 0x0404 | POWKEY1 | 2 | W | 0x0000 | 60 |
| 0x0408 | POWCON | 2 | R/W | 0x0003 | 60 |
| 0x040C | POWKEY2 | 2 | W | 0x0000 | 60 |
| 0x0410 | PLLKEY1 | 2 | W | 0x0000 | 60 |
| 0x0414 | PLLCON | 1 | R/W | 0x21 | 60 |
| 0x0418 | PLLKEY2 | 2 | W | 0x0000 | 60 |

PSM Address Base = 0xFFFF0440

| | | | | | |
|--------|--------|---|-----|--------|----|
| 0x0440 | PSMCON | 2 | R/W | 0x0008 | 57 |
| 0x0444 | CMPCON | 2 | R/W | 0x0000 | 58 |

| Address | Name | Byte | Access Type | Default Value | Page |
|---------|------|------|-------------|---------------|------|
|---------|------|------|-------------|---------------|------|

Reference Address Base = 0xFFFF0480

| | | | | | |
|--------|--------|---|-----|------|----|
| 0x048C | REFCON | 1 | R/W | 0x00 | 50 |
|--------|--------|---|-----|------|----|

ADC Address Base = 0xFFFF0500

| | | | | | |
|--------|--------|---|-----|------------|----|
| 0x0500 | ADCCON | 2 | R/W | 0x0600 | 46 |
| 0x0504 | ADCCP | 1 | R/W | 0x00 | 47 |
| 0x0508 | ADCCN | 1 | R/W | 0x01 | 47 |
| 0x050C | ADCSTA | 1 | R | 0x00 | 48 |
| 0x0510 | ADCDAT | 4 | R | 0x00000000 | 48 |
| 0x0514 | ADCRST | 1 | R/W | 0x00 | 48 |
| 0x0530 | ADCGN | 2 | R/W | 0x0200 | 48 |
| 0x0534 | ADCOF | 2 | R/W | 0x0200 | 48 |

DAC Address Base = 0xFFFF0600

| | | | | | |
|--------|---------|---|-----|------------|----|
| 0x0600 | DAC0CON | 1 | R/W | 0x00 | 56 |
| 0x0604 | DAC0DAT | 4 | R/W | 0x00000000 | 56 |
| 0x0608 | DAC1CON | 1 | R/W | 0x00 | 56 |
| 0x060C | DAC1DAT | 4 | R/W | 0x00000000 | 56 |
| 0x0610 | DAC2CON | 1 | R/W | 0x00 | 56 |
| 0x0614 | DAC2DAT | 4 | R/W | 0x00000000 | 56 |
| 0x0618 | DAC3CON | 1 | R/W | 0x00 | 56 |
| 0x061C | DAC3DAT | 4 | R/W | 0x00000000 | 56 |

UART Base Address = 0xFFFF0700

| | | | | | |
|--------|---------|---|-----|--------|----|
| 0x0700 | COMTX | 1 | R/W | 0x00 | 71 |
| | COMRX | 1 | R | 0x00 | 71 |
| | COMDIV0 | 1 | R/W | 0x00 | 71 |
| 0x0704 | COMIEN0 | 1 | R/W | 0x00 | 71 |
| | COMDIV1 | 1 | R/W | 0x00 | 72 |
| 0x0708 | COMIID0 | 1 | R | 0x01 | 72 |
| 0x070C | COMCON0 | 1 | R/W | 0x00 | 72 |
| 0x0710 | COMCON1 | 1 | R/W | 0x00 | 72 |
| 0x0714 | COMSTA0 | 1 | R | 0x60 | 72 |
| 0x0718 | COMSTA1 | 1 | R | 0x00 | 73 |
| 0x071C | COMSCR | 1 | R/W | 0x00 | 73 |
| 0x0720 | COMIEN1 | 1 | R/W | 0x04 | 73 |
| 0x0724 | COMIID1 | 1 | R | 0x01 | 73 |
| 0x0728 | COMADR | 1 | R/W | 0xAA | 74 |
| 0x072C | COMDIV2 | 2 | R/W | 0x0000 | 73 |

| Address | Name | Byte | Access Type | Default Value | Page |
|---------|------|------|-------------|---------------|------|
|---------|------|------|-------------|---------------|------|

I2C0 Base Address = 0xFFFF0800

| | | | | | |
|--------|----------|---|-----|--------|----|
| 0x0800 | I2C0MSTA | 1 | R/W | 0x00 | 76 |
| 0x0804 | I2C0SSTA | 1 | R | 0x01 | 76 |
| 0x0808 | I2C0SRX | 1 | R | 0x00 | 77 |
| 0x080C | I2C0STX | 1 | W | 0x00 | 77 |
| 0x0810 | I2C0MRX | 1 | R | 0x00 | 77 |
| 0x0814 | I2C0MTX | 1 | W | 0x00 | 77 |
| 0x0818 | I2C0CNT | 1 | R/W | 0x00 | 77 |
| 0x081C | I2C0ADR | 1 | R/W | 0x00 | 77 |
| 0x0824 | I2C0BYTE | 1 | R/W | 0x00 | 77 |
| 0x0828 | I2C0ALT | 1 | R/W | 0x00 | 78 |
| 0x082C | I2C0CFG | 1 | R/W | 0x00 | 78 |
| 0x0830 | I2C0DIV | 2 | R/W | 0x1F1F | 79 |
| 0x0838 | I2C0ID0 | 1 | R/W | 0x00 | 79 |
| 0x083C | I2C0ID1 | 1 | R/W | 0x00 | 79 |
| 0x0840 | I2C0ID2 | 1 | R/W | 0x00 | 79 |
| 0x0844 | I2C0ID3 | 1 | R/W | 0x00 | 79 |
| 0x0848 | I2C0CCNT | 1 | R/W | 0x01 | 79 |
| 0x084C | I2C0FSTA | 2 | R/W | 0x0000 | 79 |

I2C1 Base Address = 0xFFFF0900

| | | | | | |
|--------|----------|---|-----|--------|----|
| 0x0900 | I2C1MSTA | 1 | R/W | 0x00 | 76 |
| 0x0904 | I2C1SSTA | 1 | R | 0x01 | 76 |
| 0x0908 | I2C1SRX | 1 | R | 0x00 | 77 |
| 0x090C | I2C1STX | 1 | W | 0x00 | 77 |
| 0x0910 | I2C1MRX | 1 | R | 0x00 | 77 |
| 0x0914 | I2C1MTX | 1 | W | 0x00 | 77 |
| 0x0918 | I2C1CNT | 1 | R/W | 0x00 | 77 |
| 0x091C | I2C1ADR | 1 | R/W | 0x00 | 77 |
| 0x0924 | I2C1BYTE | 1 | R/W | 0x00 | 77 |
| 0x0928 | I2C1ALT | 1 | R/W | 0x00 | 78 |
| 0x092C | I2C1CFG | 1 | R/W | 0x00 | 78 |
| 0x0930 | I2C1DIV | 2 | R/W | 0x1F1F | 79 |
| 0x0938 | I2C1ID0 | 1 | R/W | 0x00 | 79 |
| 0x093C | I2C1ID1 | 1 | R/W | 0x00 | 79 |
| 0x0940 | I2C1ID2 | 1 | R/W | 0x00 | 79 |
| 0x0944 | I2C1ID3 | 1 | R/W | 0x00 | 79 |
| 0x0948 | I2C1CCNT | 1 | R/W | 0x01 | 79 |
| 0x094C | I2C1FSTA | 2 | R/W | 0x0000 | 79 |

SPI Base Address = 0xFFFF0A00

| | | | | | |
|--------|--------|---|-----|--------|----|
| 0x0A00 | SPISTA | 1 | R | 0x00 | 75 |
| 0x0A04 | SPIRX | 1 | R | 0x00 | 75 |
| 0x0A08 | SPLITX | 1 | W | 0x00 | 75 |
| 0x0A0C | SPIDIV | 1 | R/W | 0x1B | 75 |
| 0x0A10 | SPICON | 2 | R/W | 0x0000 | 75 |

ADC CIRCUIT OVERVIEW

The analog-to-digital converter (ADC) incorporates a fast, multichannel, 12-bit ADC. It can operate from 2.7 V to 3.6 V supplies and is capable of providing a throughput of up to 1 MSPS when the clock source is 41.78 MHz. This block provides the user with a multichannel multiplexer, a differential track-and-hold, an on-chip reference, and an ADC.

The ADC consists of a 12-bit successive approximation converter based around two capacitor DACs. Depending on the input signal configuration, the ADC can operate in one of three modes.

- Fully differential mode, for small and balanced signals
- Single-ended mode, for any single-ended signals
- Pseudo differential mode, for any single-ended signals, taking advantage of the common-mode rejection offered by the pseudo differential input

The converter accepts an analog input range of 0 V to V_{REF} when operating in single-ended or pseudo differential mode. In fully differential mode, the input signal must be balanced around a common-mode voltage (V_{CM}) in the 0 V to AV_{DD} range with a maximum amplitude of $2 V_{REF}$ (see Figure 48).

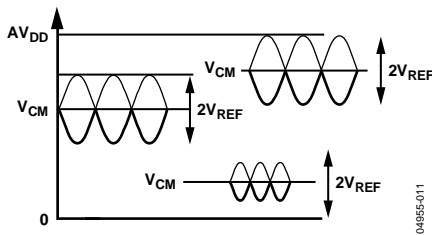


Figure 48. Examples of Balanced Signals in Fully Differential Mode

A high precision, low drift, factory calibrated, 2.5 V reference is provided on-chip. An external reference can also be connected as described in the Band Gap Reference section.

Single or continuous conversion modes can be initiated in the software. An external $\overline{CONV_START}$ pin, an output generated from the on-chip PLA, or a Timer0 or Timer1 overflow can also be used to generate a repetitive trigger for ADC conversions.

A voltage output from an on-chip band gap reference proportional to absolute temperature can also be routed through the front-end ADC multiplexer, effectively an additional ADC channel input. This facilitates an internal temperature sensor channel that measures die temperature to an accuracy of $\pm 3^\circ\text{C}$.

TRANSFER FUNCTION

Pseudo Differential and Single-Ended Modes

In pseudo differential or single-ended mode, the input range is 0 V to V_{REF} . The output coding is straight binary in pseudo differential and single-ended modes with

$$1 \text{ LSB} = FS/4096, \text{ or}$$

$$2.5 \text{ V}/4096 = 0.61 \text{ mV, or}$$

$$610 \mu\text{V when } V_{REF} = 2.5 \text{ V}$$

The ideal code transitions occur midway between successive integer LSB values (that is, $1/2 \text{ LSB}$, $3/2 \text{ LSB}$, $5/2 \text{ LSB}$, ..., $FS - 3/2 \text{ LSB}$). The ideal input/output transfer characteristic is shown in Figure 49.

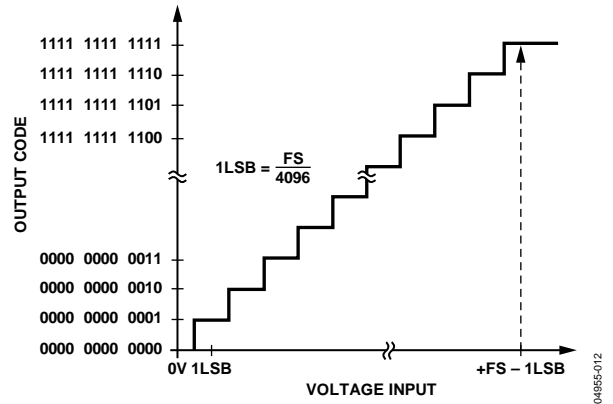


Figure 49. ADC Transfer Function in Pseudo Differential or Single-Ended Mode

Fully Differential Mode

The amplitude of the differential signal is the difference between the signals applied to the V_{IN+} and V_{IN-} input voltage pins (that is, $V_{IN+} - V_{IN-}$). The maximum amplitude of the differential signal is, therefore, $-V_{REF}$ to $+V_{REF}$ p-p (that is, $2 \times V_{REF}$). This is regardless of the common mode (CM). The common mode is the average of the two signals, for example, $(V_{IN+} + V_{IN-})/2$, and is, therefore, the voltage that the two inputs are centered on. This results in the span of each input being $CM \pm V_{REF}/2$. This voltage has to be set up externally, and its range varies with V_{REF} (see the Driving the Analog Inputs section).

The output coding is twos complement in fully differential mode with $1 \text{ LSB} = 2 V_{REF}/4096$ or $2 \times 2.5 \text{ V}/4096 = 1.22 \text{ mV}$ when $V_{REF} = 2.5 \text{ V}$. The output result is ± 11 bits, but this is shifted by 1 to the right. This allows the result in ADCDAT to be declared as a signed integer when writing C code. The designed code transitions occur midway between successive integer LSB values (that is, $1/2 \text{ LSB}$, $3/2 \text{ LSB}$, $5/2 \text{ LSB}$, ..., $FS - 3/2 \text{ LSB}$). The ideal input/output transfer characteristic is shown in Figure 50.

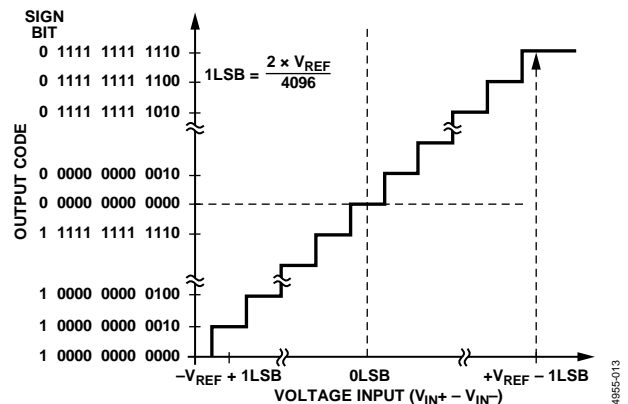


Figure 50. ADC Transfer Function in Differential Mode

TYPICAL OPERATION

Once configured via the ADC control and channel selection registers, the ADC converts the analog input and provides a 12-bit result in the ADC data register.

The top four bits are the sign bits. The 12-bit result is placed from Bit 16 to Bit 27, as shown in Figure 51. Again, it should be noted that, in fully differential mode, the result is represented in two's complement format. In pseudo differential and single-ended modes, the result is represented in straight binary format.

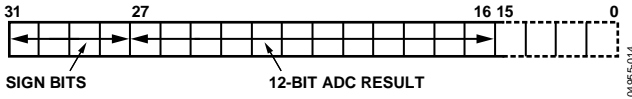


Figure 51. ADC Result Format

The same format is used in DACxDAT, simplifying the software.

Current Consumption

The ADC in standby mode, that is, powered up but not converting, typically consumes 640 μ A. The internal reference adds 140 μ A. During conversion, the extra current is 0.3 μ A multiplied by the sampling frequency (in kilohertz (kHz)). Figure 43 shows the current consumption vs. the sampling frequency of the ADC.

Timing

Figure 52 gives details of the ADC timing. Users control the ADC clock speed and the number of acquisition clocks in the ADCCON MMR. By default, the acquisition time is eight clocks and the clock divider is 2. The number of extra clocks (such as bit trial or write) is set to 19, which gives a sampling rate of 774 kSPS. For conversion on the temperature sensor, the ADC acquisition time is automatically set to 16 clocks, and the ADC clock divider is set to 32. When using multiple channels, including the temperature sensor, the timing settings revert to the user-defined settings after reading the temperature sensor channel.

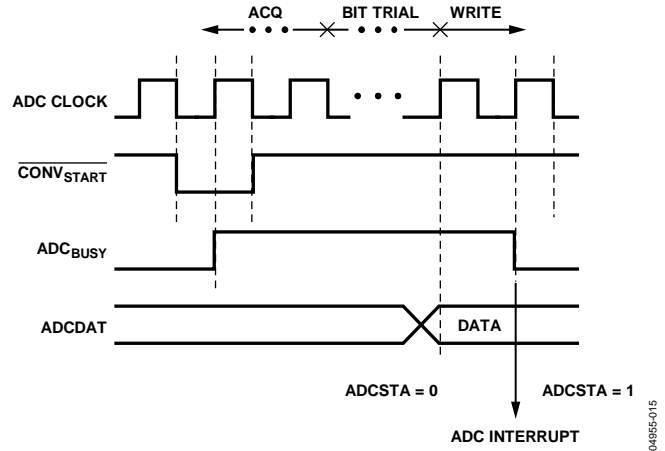


Figure 52. ADC Timing

ADuC7019

The ADuC7019 is identical to the ADuC7020 except for one buffered ADC channel, ADC3, and it has only three DACs. The output buffer of the fourth DAC is internally connected to the ADC3 channel as shown in Figure 53.

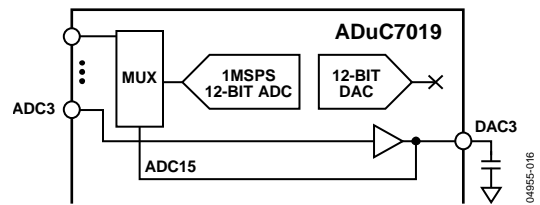


Figure 53. ADC3 Buffered Input

Note that the DAC3 output pin must be connected to a 10 nF capacitor to AGND. This channel should be used to measure dc voltages only. ADC calibration may be necessary on this channel.

MMRS INTERFACE

The ADC is controlled and configured via the eight MMRs described in this section.

Table 17. ADCCON Register

| Name | Address | Default Value | Access |
|--------|------------|---------------|--------|
| ADCCON | 0xFFFF0500 | 0x0600 | R/W |

ADCCON is an ADC control register that allows the programmer to enable the ADC peripheral, select the mode of operation of the ADC (in single-ended mode, pseudo differential mode, or fully differential mode), and select the conversion type. This MMR is described in Table 18.

Table 18. ADCCON MMR Bit Designations

| Bit | Value | Description |
|-------|-------|---------------------------------------------------------------------------------------------------------------------------------------------------------------------------------------------------------------------------------|
| 15:13 | | Reserved. |
| 12:10 | | ADC clock speed. |
| | 000 | fADC/1. This divider is provided to obtain 1 MSPS ADC with an external clock <41.78 MHz. |
| | 001 | fADC/2 (default value). |
| | 010 | fADC/4. |
| | 011 | fADC/8. |
| | 100 | fADC/16. |
| | 101 | fADC/32. |
| 9:8 | | ADC acquisition time. |
| | 00 | Two clocks. |
| | 01 | Four clocks. |
| | 10 | Eight clocks (default value). |
| | 11 | 16 clocks. |
| 7 | | Enable start conversion. Set by the user to start any type of conversion command. Cleared by the user to disable a start conversion (clearing this bit does not stop the ADC when continuously converting). |
| 6 | | Reserved. |
| 5 | | ADC power control. Set by the user to place the ADC in normal mode (the ADC must be powered up for at least 5 μ s before it converts correctly). Cleared by the user to place the ADC in power-down mode. |
| 4:3 | | Conversion mode. |
| | 00 | Single-ended mode. |
| | 01 | Differential mode. |
| | 10 | Pseudo differential mode. |
| | 11 | Reserved. |
| 2:0 | | Conversion type. |
| | 000 | Enable CONV _{START} pin as a conversion input. |
| | 001 | Enable Timer1 as a conversion input. |
| | 010 | Enable Timer0 as a conversion input. |
| | 011 | Single software conversion. Sets to 000 after conversion (note that Bit 7 of ADCCON MMR should be cleared after starting a single software conversion to avoid further conversions triggered by the CONV _{START} pin). |
| | 100 | Continuous software conversion. |
| | 101 | PLA conversion. |
| | Other | Reserved. |

Table 19. ADCCP Register

| Name | Address | Default Value | Access |
|-------|------------|---------------|--------|
| ADCCP | 0xFFFF0504 | 0x00 | R/W |

ADCCP is an ADC positive channel selection register. This MMR is described in Table 20.

Table 20. ADCCP¹ MMR Bit Designation

| Bit | Value | Description |
|-----|--------|-----------------------------------------------|
| 7:5 | | Reserved. |
| 4:0 | | Positive channel selection bits. |
| | 00000 | ADC0. |
| | 00001 | ADC1. |
| | 00010 | ADC2. |
| | 00011 | ADC3. |
| | 00100 | ADC4. |
| | 00101 | ADC5. |
| | 00110 | ADC6. |
| | 00111 | ADC7. |
| | 01000 | ADC8. |
| | 01001 | ADC9. |
| | 01010 | ADC10. |
| | 01011 | ADC11. |
| | 01100 | DAC0/ADC12. |
| | 01101 | DAC1/ADC13. |
| | 01110 | DAC2/ADC14. |
| | 01111 | DAC3/ADC15. |
| | 10000 | Temperature sensor. |
| | 10001 | AGND (self-diagnostic feature). |
| | 10010 | Internal reference (self-diagnostic feature). |
| | 10011 | AV _{DD} /2. |
| | Others | Reserved. |

¹ ADC and DAC channel availability depends on the part model. See Ordering Guide for details.

Table 21. ADCCN Register

| Name | Address | Default Value | Access |
|-------|------------|---------------|--------|
| ADCCN | 0xFFFF0508 | 0x01 | R/W |

ADCCN is an ADC negative channel selection register. This MMR is described in Table 22.

Table 22. ADCCN MMR Bit Designation

| Bit | Value | Description |
|-----|--------|-----------------------------------------------|
| 7:5 | | Reserved. |
| 4:0 | | Negative channel selection bits. |
| | 00000 | ADC0. |
| | 00001 | ADC1. |
| | 00010 | ADC2. |
| | 00011 | ADC3. |
| | 00100 | ADC4. |
| | 00101 | ADC5. |
| | 00110 | ADC6. |
| | 00111 | ADC7. |
| | 01000 | ADC8. |
| | 01001 | ADC9. |
| | 01010 | ADC10. |
| | 01011 | ADC11. |
| | 01100 | DAC0/ADC12. |
| | 01101 | DAC1/ADC13. |
| | 01110 | DAC2/ADC14. |
| | 01111 | DAC3/ADC15. |
| | 10000 | Internal reference (self-diagnostic feature). |
| | Others | Reserved. |

Table 23. ADCSTA Register

| Name | Address | Default Value | Access |
|--------|------------|---------------|--------|
| ADCSTA | 0xFFFF050C | 0x00 | R |

ADCSTA is an ADC status register that indicates when an ADC conversion result is ready. The ADCSTA register contains only one bit, ADCReady (Bit 0), representing the status of the ADC. This bit is set at the end of an ADC conversion, generating an ADC interrupt. It is cleared automatically by reading the ADCDAT MMR. When the ADC is performing a conversion, the status of the ADC can be read externally via the ADC_{BUSY} pin. This pin is high during a conversion. When the conversion is finished, ADC_{BUSY} goes back low. This information can be available on P0.5 (see the General-Purpose Input/Output section) if enabled in the ADCCON register.

Table 24. ADCDAT Register

| Name | Address | Default Value | Access |
|--------|------------|---------------|--------|
| ADCDAT | 0xFFFF0510 | 0x00000000 | R |

ADCDAT is an ADC data result register. It holds the 12-bit ADC result as shown in Figure 51.

Table 25. ADCRST Register

| Name | Address | Default Value | Access |
|--------|------------|---------------|--------|
| ADCRST | 0xFFFF0514 | 0x00 | R/W |

ADCRST resets the digital interface of the ADC. Writing any value to this register resets all the ADC registers to their default values.

Table 26. ADCGN Register

| Name | Address | Default Value | Access |
|-------|------------|---------------|--------|
| ADCGN | 0xFFFF0530 | 0x0200 | R/W |

ADCGN is a 10-bit gain calibration register.

Table 27. ADCOF Register

| Name | Address | Default Value | Access |
|-------|------------|---------------|--------|
| ADCOF | 0xFFFF0534 | 0x0200 | R/W |

ADCOF is a 10-bit offset calibration register.

CONVERTER OPERATION

The ADC incorporates a successive approximation (SAR) architecture involving a charge-sampled input stage. This architecture can operate in three modes: differential, pseudo differential, and single-ended.

Differential Mode

The ADuC7019/20/21/22/24/25/26/27/28/29 each contain a successive approximation ADC based on two capacitive DACs. Figure 54 and Figure 55 show simplified schematics of the ADC in acquisition and conversion phase, respectively. The ADC comprises control logic, a SAR, and two capacitive DACs. In Figure 54 (the acquisition phase), SW3 is closed and SW1 and SW2 are in Position A. The comparator is held in a balanced condition, and the sampling capacitor arrays acquire the differential signal on the input.

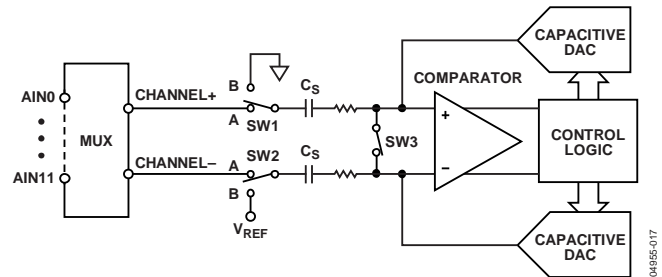


Figure 54. ADC Acquisition Phase

When the ADC starts a conversion, as shown in Figure 55, SW3 opens, and then SW1 and SW2 move to Position B. This causes the comparator to become unbalanced. Both inputs are disconnected once the conversion begins. The control logic and the charge redistribution DACs are used to add and subtract fixed amounts of charge from the sampling capacitor arrays to bring the comparator back into a balanced condition. When the comparator is rebalanced, the conversion is complete. The control logic generates the ADC output code. The output impedances of the sources driving the V_{IN+} and V_{IN-} input voltage pins must be matched; otherwise, the two inputs have different settling times, resulting in errors.

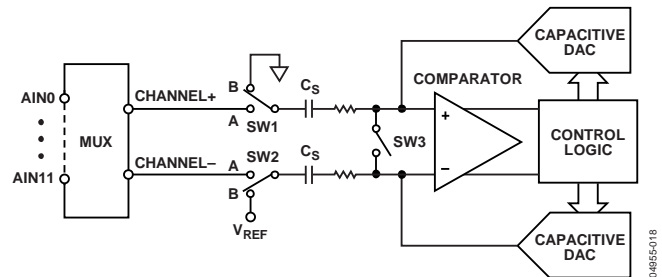


Figure 55. ADC Conversion Phase

Pseudo Differential Mode

In pseudo differential mode, Channel- is linked to the V_{IN-} pin of the ADuC7019/20/21/22/24/25/26/27/28/29. SW2 switches between A (Channel-) and B (V_{REF}). The V_{IN-} pin must be connected to ground or a low voltage. The input signal on V_{IN+} can then vary from V_{IN-} to $V_{REF} + V_{IN-}$. Note that V_{IN-} must be chosen so that $V_{REF} + V_{IN-}$ does not exceed AV_{DD} .

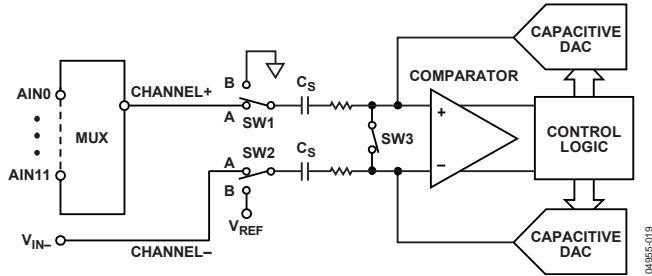


Figure 56. ADC in Pseudo Differential Mode

Single-Ended Mode

In single-ended mode, SW2 is always connected internally to ground. The V_{IN-} pin can be floating. The input signal range on V_{IN+} is 0 V to V_{REF} .

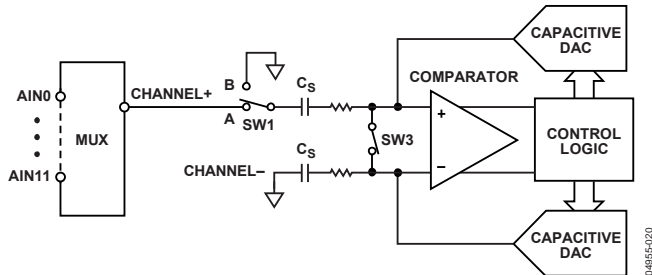


Figure 57. ADC in Single-Ended Mode

Analog Input Structure

Figure 58 shows the equivalent circuit of the analog input structure of the ADC. The four diodes provide ESD protection for the analog inputs. Care must be taken to ensure that the analog input signals never exceed the supply rails by more than 300 mV; exceeding 300 mV causes these diodes to become forward-biased and start conducting into the substrate. These diodes can conduct up to 10 mA without causing irreversible damage to the part.

The C1 capacitors in Figure 58 are typically 4 pF and can be primarily attributed to pin capacitance. The resistors are lumped components made up of the on resistance of the switches. The value of these resistors is typically about 100 Ω . The C2 capacitors are the ADC's sampling capacitors and typically have a capacitance of 16 pF.

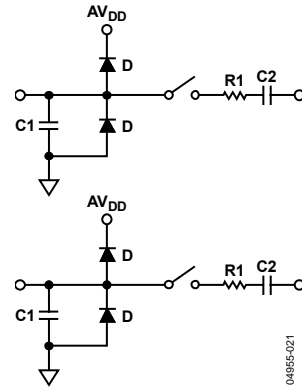


Figure 58. Equivalent Analog Input Circuit Conversion Phase: Switches Open, Track Phase: Switches Closed

For ac applications, removing high frequency components from the analog input signal is recommended by using an RC low-pass filter on the relevant analog input pins. In applications where harmonic distortion and signal-to-noise ratio are critical, the analog input should be driven from a low impedance source. Large source impedances significantly affect the ac performance of the ADC. This can necessitate the use of an input buffer amplifier. The choice of the op amp is a function of the particular application. Figure 59 and Figure 60 give an example of an ADC front end.

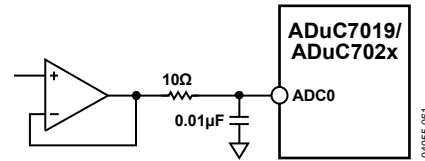


Figure 59. Buffering Single-Ended/Pseudo Differential Input

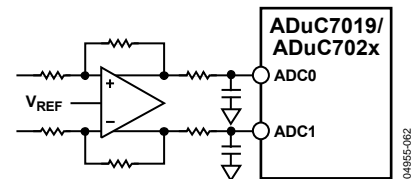


Figure 60. Buffering Differential Inputs

When no amplifier is used to drive the analog input, the source impedance should be limited to values lower than 1 k Ω . The maximum source impedance depends on the amount of total harmonic distortion (THD) that can be tolerated. The THD increases as the source impedance increases and the performance degrades.

DRIVING THE ANALOG INPUTS

Internal or external references can be used for the ADC. In the differential mode of operation, there are restrictions on the common-mode input signal (V_{CM}), which is dependent upon the reference value and supply voltage used to ensure that the signal remains within the supply rails. Table 28 gives some calculated V_{CM} minimum and V_{CM} maximum values.

Table 28. V_{CM} Ranges

| V_{DD} | V_{REF} | V_{CM} Min | V_{CM} Max | Signal Peak-to-Peak |
|----------|-----------|--------------|--------------|---------------------|
| 3.3V | 2.5V | 1.25V | 2.05V | 2.5V |
| | 2.048V | 1.024V | 2.276V | 2.048V |
| | 1.25V | 0.75V | 2.55V | 1.25V |
| 3.0V | 2.5V | 1.25V | 1.75V | 2.5V |
| | 2.048V | 1.024V | 1.976V | 2.048V |
| | 1.25V | 0.75V | 2.25V | 1.25V |

CALIBRATION

By default, the factory-set values written to the ADC offset (ADCOF) and gain coefficient registers (ADCGN) yield optimum performance in terms of end-point errors and linearity for standalone operation of the part (see the Specifications section). If system calibration is required, it is possible to modify the default offset and gain coefficients to improve end-point errors, but note that any modification to the factory-set ADCOF and ADCGN values can degrade ADC linearity performance.

For system offset error correction, the ADC channel input stage must be tied to AGND. A continuous software ADC conversion loop must be implemented by modifying the value in ADCOF until the ADC result (ADCDAT) reads Code 0 to Code 1. If the ADCDAT value is greater than 1, ADCOF should be decremented until ADCDAT reads 0 to 1. Offset error correction is done digitally and has a resolution of 0.25 LSB and a range of $\pm 3.125\%$ of V_{REF} .

For system gain error correction, the ADC channel input stage must be tied to V_{REF} . A continuous software ADC conversion loop must be implemented to modify the value in ADCGN until the ADC result (ADCDAT) reads Code 4094 to Code 4095. If the ADCDAT value is less than 4094, ADCGN should be incremented until ADCDAT reads 4094 to 4095. Similar to the offset calibration, the gain calibration resolution is 0.25 LSB with a range of $\pm 3\%$ of V_{REF} .

TEMPERATURE SENSOR

The ADuC7019/20/21/22/24/25/26/27/28/29 provide voltage output from on-chip band gap references proportional to absolute temperature. This voltage output can also be routed through the front-end ADC multiplexer (effectively an additional ADC channel input) facilitating an internal temperature sensor channel, measuring die temperature to an accuracy of $\pm 3^\circ\text{C}$.

The following is an example routine showing how to use the internal temperature sensor:

```
int main(void)
{
    float a = 0;
        short b;
        ADCCON = 0x20;    // power-on the ADC
        delay(2000);
```

```
        ADCCP = 0x10;    // Select Temperature
        Sensor as an // input to the ADC
        REFCON = 0x01;    // connect internal 2.5V
        reference // to Vref pin
        ADCCON = 0xE4;    // continuous conversion
        while(1)
        {
            while (!ADCSTA){};
            // wait for end of conversion
            b = (ADCDAT >> 16);
            // To calculate temperature in °C, use
            the formula:
                a = 0x525 - b;
                // ((Temperature = 0x525 - Sensor
                Voltage) / 1.3)
                a /= 1.3;
                b = floor(a);
                printf("Temperature: %d
oc\n", b);
        }
        return 0;
    }
```

BAND GAP REFERENCE

Each ADuC7019/20/21/22/24/25/26/27/28/29 provides an on-chip band gap reference of 2.5 V, which can be used for the ADC and DAC. This internal reference also appears on the V_{REF} pin. When using the internal reference, a 0.47 μF capacitor must be connected from the external V_{REF} pin to AGND to ensure stability and fast response during ADC conversions. This reference can also be connected to an external pin (V_{REF}) and used as a reference for other circuits in the system. An external buffer is required because of the low drive capability of the V_{REF} output. A programmable option also allows an external reference input on the V_{REF} pin. Note that it is not possible to disable the internal reference. Therefore, the external reference source must be capable of overdriving the internal reference source.

Table 29. REFCON Register

| Name | Address | Default Value | Access |
|--------|------------|---------------|--------|
| REFCON | 0xFFFF048C | 0x00 | R/W |

The band gap reference interface consists of an 8-bit MMR REFCON, described in Table 30.

Table 30. REFCON MMR Bit Designations

| Bit | Description |
|-----|-----------------------------------------------------------------------------------------------------------------------------------------------------------------------------------------------------------------------------------------------------------|
| 7:1 | Reserved. |
| 0 | Internal reference output enable. Set by user to connect the internal 2.5 V reference to the V_{REF} pin. The reference can be used for an external component but must be buffered. Cleared by user to disconnect the reference from the V_{REF} pin. |

NONVOLATILE FLASH/EE MEMORY

The ADuC7019/20/21/22/24/25/26/27/28/29 incorporate Flash/EE memory technology on-chip to provide the user with nonvolatile, in-circuit reprogrammable memory space.

Like EEPROM, flash memory can be programmed in-system at a byte level, although it must first be erased. The erase is performed in page blocks. As a result, flash memory is often and more correctly referred to as Flash/EE memory.

Overall, Flash/EE memory represents a step closer to the ideal memory device that includes nonvolatility, in-circuit programmability, high density, and low cost. Incorporated in the ADuC7019/20/21/22/24/25/26/27/28/29, Flash/EE memory technology allows the user to update program code space in-circuit, without the need to replace one-time programmable (OTP) devices at remote operating nodes.

Each part contains a 64 kB array of Flash/EE memory. The lower 62 kB is available to the user and the upper 2 kB contain permanently embedded firmware, allowing in-circuit serial download. These 2 kB of embedded firmware also contain a power-on configuration routine that downloads factory-calibrated coefficients to the various calibrated peripherals (such as ADC, temperature sensor, and band gap references). This 2 kB embedded firmware is hidden from user code.

Flash/EE Memory Reliability

The Flash/EE memory arrays on the parts are fully qualified for two key Flash/EE memory characteristics: Flash/EE memory cycling endurance and Flash/EE memory data retention.

Endurance quantifies the ability of the Flash/EE memory to be cycled through many program, read, and erase cycles. A single endurance cycle is composed of four independent, sequential events, defined as

1. Initial page erase sequence
2. Read/verify sequence (single Flash/EE)
3. Byte program sequence memory
4. Second read/verify sequence (endurance cycle)

In reliability qualification, every half word (16-bit wide) location of the three pages (top, middle, and bottom) in the Flash/EE memory is cycled 10,000 times from 0x0000 to 0xFFFF. As indicated in Table 1, the Flash/EE memory endurance qualification is carried out in accordance with JEDEC Retention Lifetime Specification A117 over the industrial temperature range of -40°C to $+125^{\circ}\text{C}$. The results allow the specification of a minimum endurance figure over a supply temperature of 10,000 cycles.

Retention quantifies the ability of the Flash/EE memory to retain its programmed data over time. Again, the parts are qualified in accordance with the formal JEDEC Retention Lifetime Specification (A117) at a specific junction temperature ($T_j = 85^{\circ}\text{C}$). As part of this qualification procedure, the Flash/EE memory is cycled to its specified endurance limit, described in Table 1, before data retention is characterized. This means that the Flash/EE memory is guaranteed to retain its data for its fully specified retention lifetime every time the Flash/EE memory is reprogrammed. In addition, note that retention lifetime, based on an activation energy of 0.6 eV, derates with T_j as shown in Figure 61.

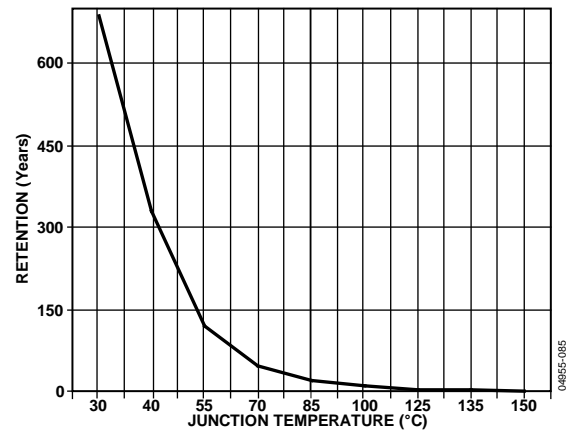


Figure 61. Flash/EE Memory Data Retention

PROGRAMMING

The 62 kB of Flash/EE memory can be programmed in-circuit, using the serial download mode or the provided JTAG mode.

Serial Downloading (In-Circuit Programming)

The ADuC7019/20/21/22/24/25/26/27/28/29 facilitate code download via the standard UART serial port or via the I²C port. The parts enter serial download mode after a reset or power cycle if the BM pin is pulled low through an external 1 k Ω resistor. After a part is in serial download mode, the user can download code to the full 62 kB of Flash/EE memory while the device is in-circuit in its target application hardware. An executable PC serial download is provided as part of the development system for serial downloading via the UART. The [AN-806 Application Note](#) describes the protocol for serial downloading via the I²C.

JTAG Access

The JTAG protocol uses the on-chip JTAG interface to facilitate code download and debug.

SECURITY

The 62 kB of Flash/EE memory available to the user can be read and write protected.

Bit 31 of the FEEP/FEHIDE MMR (see Table 42) protects the 62 kB from being read through JTAG programming mode. The other 31 bits of this register protect writing to the flash memory. Each bit protects four pages, that is, 2 kB. Write protection is activated for all types of access.

Three Levels of Protection

- Protection can be set and removed by writing directly into FEHIDE MMR. This protection does not remain after reset.
- Protection can be set by writing into the FEEP MMR. It takes effect only after a save protection command (0x0C) and a reset. The FEEP MMR is protected by a key to avoid direct access. The key is saved once and must be entered again to modify FEEP. A mass erase sets the key back to 0xFFFF but also erases all the user code.
- Flash can be permanently protected by using the FEEP MMR and a particular value of key: 0xDEADDEAD. Entering the key again to modify the FEEP register is not allowed.

Sequence to Write the Key

1. Write the bit in FEEP corresponding to the page to be protected.
2. Enable key protection by setting Bit 6 of FEEMOD (Bit 5 must equal 0).
3. Write a 32-bit key in FEEADR and FEEDAT.
4. Run the write key command 0x0C in FEECON; wait for the read to be successful by monitoring FEESTA.
5. Reset the part.

To remove or modify the protection, the same sequence is used with a modified value of FEEP. If the key chosen is the value 0xDEAD, the memory protection cannot be removed. Only a mass erase unprotects the part, but it also erases all user code.

The sequence to write the key is illustrated in the following example (this protects writing Page 4 to Page 7 of the Flash):

```
FEEP=0xFFFFFFFF; //Protect pages 4 to 7
FEEMOD=0x48; //Write key enable
FEEADR=0x1234; //16 bit key value
FEEDAT=0x5678; //16 bit key value
FEECON= 0x0C; // Write key command
```

The same sequence should be followed to protect the part permanently with FEEADR = 0xDEAD and FEEDAT = 0xDEAD.

FLASH/EE CONTROL INTERFACE

Serial and JTAG programming use the Flash/EE control interface, which includes the eight MMRs outlined in this section.

Table 31. FEESTA Register

| Name | Address | Default Value | Access |
|--------|------------|---------------|--------|
| FEESTA | 0xFFFFF800 | 0x20 | R |

FEESTA is a read-only register that reflects the status of the flash control interface as described in Table 32.

Table 32. FEESTA MMR Bit Designations

| Bit | Description |
|------|----------------------------------------------------------------------------------------------------------------------------------------------------------------------------------------------------------------------------|
| 15:6 | Reserved. |
| 5 | Reserved. |
| 4 | Reserved. |
| 3 | Flash interrupt status bit. Set automatically when an interrupt occurs, that is, when a command is complete and the Flash/EE interrupt enable bit in the FEEMOD register is set. Cleared when reading the FEESTA register. |
| 2 | Flash/EE controller busy. Set automatically when the controller is busy. Cleared automatically when the controller is not busy. |
| 1 | Command fail. Set automatically when a command completes unsuccessfully. Cleared automatically when reading the FEESTA register. |
| 0 | Command pass. Set by the MicroConverter when a command completes successfully. Cleared automatically when reading the FEESTA register. |

Table 33. FEEMOD Register

| Name | Address | Default Value | Access |
|--------|------------|---------------|--------|
| FEEMOD | 0xFFFFF804 | 0x0000 | R/W |

FEEMOD sets the operating mode of the flash control interface. Table 34 shows FEEMOD MMR bit designations.

Table 34. FEEMOD MMR Bit Designations

| Bit | Description |
|------|------------------------------------------------------------------------------------------------------------------------------------------------------------------------------|
| 15:9 | Reserved. |
| 8 | Reserved. This bit should always be set to 0. |
| 7:5 | Reserved. These bits should always be set to 0 except when writing keys. See the Sequence to Write the Key section. |
| 4 | Flash/EE interrupt enable. Set by user to enable the Flash/EE interrupt. The interrupt occurs when a command is complete. Cleared by user to disable the Flash/EE interrupt. |
| 3 | Erase/write command protection. Set by user to enable the erase and write commands. Cleared to protect the Flash against the erase/write command. |
| 2:0 | Reserved. These bits should always be set to 0. |

Table 35. FEECON Register

| Name | Address | Default Value | Access |
|--------|------------|---------------|--------|
| FEECON | 0xFFFFF808 | 0x07 | R/W |

FEECON is an 8-bit command register. The commands are described in Table 36.

Table 36. Command Codes in FEECON

| Code | Command | Description |
|-------------------|---------------|-------------------------------------------------------------------------------------------------------------------------------------------------------------------------------------------------------------------------------------------------------|
| 0x00 ¹ | Null | Idle state. |
| 0x01 ¹ | Single read | Load FEEDAT with the 16-bit data. Indexed by FEEADR. |
| 0x02 ¹ | Single write | Write FEEDAT at the address pointed to by FEEADR. This operation takes 50 μ s. |
| 0x03 ¹ | Erase/write | Erase the page indexed by FEEADR and write FEEDAT at the location pointed by FEEADR. This operation takes approximately 24 ms. |
| 0x04 ¹ | Single verify | Compare the contents of the location pointed by FEEADR to the data in FEEDAT. The result of the comparison is returned in FEESTA, Bit 1. |
| 0x05 ¹ | Single erase | Erase the page indexed by FEEADR. |
| 0x06 ¹ | Mass erase | Erase 62 kB of user space. The 2 kB of kernel are protected. This operation takes 2.48 sec. To prevent accidental execution, a command sequence is required to execute this instruction. See the Command Sequence for Executing a Mass Erase section. |
| 0x07 | Reserved | Reserved. |
| 0x08 | Reserved | Reserved. |
| 0x09 | Reserved | Reserved. |
| 0x0A | Reserved | Reserved. |
| 0x0B | Signature | Give a signature of the 64 kB of Flash/EE in the 24-bit FEESIGN MMR. This operation takes 32,778 clock cycles. |
| 0x0C | Protect | This command can run only once. The value of FEETPRO is saved and removed only with a mass erase (0x06) of the key. |
| 0x0D | Reserved | Reserved. |
| 0x0E | Reserved | Reserved. |
| 0x0F | Ping | No operation; interrupt generated. |

¹ The FEECON register always reads 0x07 immediately after execution of any of these commands.

Table 37. FEEDAT Register

| Name | Address | Default Value | Access |
|--------|------------|---------------------|--------|
| FEEDAT | 0xFFFFF80C | 0XXXXX ¹ | R/W |

¹X = 0, 1, 2, or 3.

FEEDAT is a 16-bit data register.

Table 38. FEEADR Register

| Name | Address | Default Value | Access |
|--------|------------|---------------|--------|
| FEEADR | 0xFFFFF810 | 0x0000 | R/W |

FEEADR is another 16-bit address register.

Table 39. FEESIGN Register

| Name | Address | Default Value | Access |
|---------|------------|---------------|--------|
| FEESIGN | 0xFFFFF818 | 0FFFFFFF | R |

FEESIGN is a 24-bit code signature.

Table 40. FEETPRO Register

| Name | Address | Default Value | Access |
|---------|------------|---------------|--------|
| FEETPRO | 0xFFFFF81C | 0x00000000 | R/W |

FEETPRO MMR provides protection following a subsequent reset of the MMR. It requires a software key (see Table 42).

Table 41. FEEHIDE Register

| Name | Address | Default Value | Access |
|---------|------------|---------------|--------|
| FEEHIDE | 0xFFFFF820 | 0xFFFFFFFF | R/W |

FEEHIDE MMR provides immediate protection. It does not require any software key. Note that the protection settings in FEEHIDE are cleared by a reset (see Table 42).

Table 42. FEETPRO and FEEHIDE MMR Bit Designations

| Bit | Description |
|------|-----------------------------------------------------------------------------------------------------------------------------------------------------------------------------------|
| 31 | Read protection. Cleared by user to protect all code. Set by user to allow reading the code. |
| 30:0 | Write protection for Page 123 to Page 120, Page 119 to Page 116, and Page 0 to Page 3. Cleared by user to protect the pages from writing. Set by user to allow writing the pages. |

Command Sequence for Executing a Mass Erase

```
FEEDAT=0x3CFF;
FEEADR = 0xFFC3;
FEEMOD= FEEMOD|0x8; //Erase key enable
FEECON=0x06; //Mass erase command
```

EXECUTION TIME FROM SRAM AND FLASH/EE

Execution from SRAM

Fetching instructions from SRAM takes one clock cycle; the access time of the SRAM is 2 ns, and a clock cycle is 22 ns minimum. However, if the instruction involves reading or writing data to memory, one extra cycle must be added if the data is in SRAM (or three cycles if the data is in Flash/EE): one cycle to execute the instruction, and two cycles to get the 32-bit data from Flash/EE. A control flow instruction (a branch instruction, for example) takes one cycle to fetch but also takes two cycles to fill the pipeline with the new instructions.

Execution from Flash/EE

Because the Flash/EE width is 16 bits and access time for 16-bit words is 22 ns, execution from Flash/EE cannot be done in one cycle (as can be done from SRAM when the CD Bit = 0). Also, some dead times are needed before accessing data for any value of the CD bit.

In ARM mode, where instructions are 32 bits, two cycles are needed to fetch any instruction when CD = 0. In thumb mode, where instructions are 16 bits, one cycle is needed to fetch any instruction.

Timing is identical in both modes when executing instructions that involve using the Flash/EE for data memory. If the instruction to be executed is a control flow instruction, an extra cycle is needed to decode the new address of the program counter, and then four cycles are needed to fill the pipeline. A data-processing instruction involving only the core register does not require any extra clock cycles. However, if it involves data in Flash/EE, an extra clock cycle is needed to decode the address of the data, and two cycles are needed to get the 32-bit data from Flash/EE. An extra cycle must also be added before fetching another instruction. Data transfer instructions are more complex and are summarized in Table 43.

Table 43. Execution Cycles in ARM/Thumb Mode

| Instructions | Fetch Cycles | Dead Time | Data Access | Dead Time |
|------------------|--------------|----------------|----------------------------|----------------|
| LD ¹ | 2/1 | 1 | 2 | 1 |
| LDH | 2/1 | 1 | 1 | 1 |
| LDM/PUSH | 2/1 | N ² | 2 × N ² | N ¹ |
| STR ¹ | 2/1 | 1 | 2 × 20 ns | 1 |
| STRH | 2/1 | 1 | 20 ns | 1 |
| STRM/POP | 2/1 | N ¹ | 2 × N × 20 ns ¹ | N ¹ |

¹The SWAP instruction combines an LD and STR instruction with only one fetch, giving a total of eight cycles + 40 ns.

²N is the amount of data to load or store in the multiple load/store instruction (1 < N ≤ 16).

RESET AND REMAP

The ARM exception vectors are all situated at the bottom of the memory array, from Address 0x00000000 to Address 0x00000020, as shown in Figure 62.

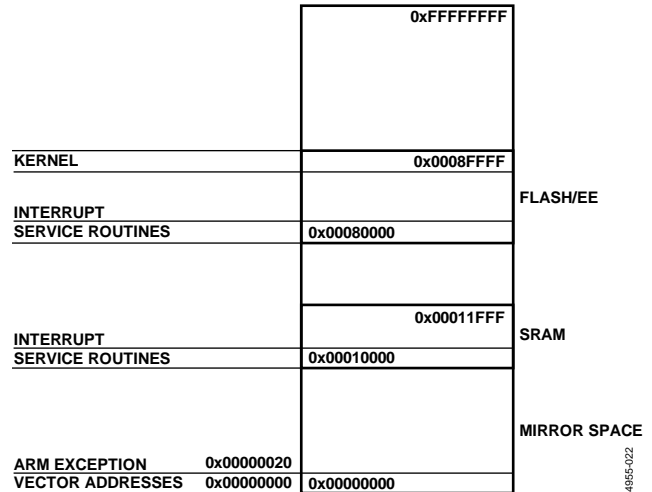


Figure 62. Remap for Exception Execution

By default, and after any reset, the Flash/EE is mirrored at the bottom of the memory array. The remap function allows the programmer to mirror the SRAM at the bottom of the memory array, which facilitates execution of exception routines from SRAM instead of from Flash/EE. This means exceptions are executed twice as fast, being executed in 32-bit ARM mode with 32-bit wide SRAM instead of 16-bit wide Flash/EE memory.

Remap Operation

When a reset occurs on the ADuC7019/20/21/22/24/25/26/27/28/29, execution automatically starts in the factory-programmed, internal configuration code. This kernel is hidden and cannot be accessed by user code. If the part is in normal mode (the BM pin is high), it executes the power-on configuration routine of the kernel and then jumps to the reset vector address, 0x00000000, to execute the user's reset exception routine.

Because the Flash/EE is mirrored at the bottom of the memory array at reset, the reset interrupt routine must always be written in Flash/EE.

The remap is done from Flash/EE by setting Bit 0 of the REMAP register. Caution must be taken to execute this command from Flash/EE, above Address 0x00080020, and not from the bottom of the array because this is replaced by the SRAM.

This operation is reversible. The Flash/EE can be remapped at Address 0x00000000 by clearing Bit 0 of the REMAP MMR. Caution must again be taken to execute the remap function from outside the mirrored area. Any type of reset remaps the Flash/EE memory at the bottom of the array.

Reset Operation

There are four kinds of reset: external, power-on, watchdog expiration, and software force. The RSTSTA register indicates the source of the last reset, and RSTCLR allows clearing of the RSTSTA register. These registers can be used during a reset exception service routine to identify the source of the reset. If RSTSTA is null, the reset is external.

Table 44. REMAP Register

| Name | Address | Default Value | Access |
|-------|------------|-------------------|--------|
| REMAP | 0xFFFF0220 | 0xXX ¹ | R/W |

¹ Depends on the model.

Table 45. REMAP MMR Bit Designations

| Bit | Name | Description |
|-----|-------|-------------------------------------------------------------------------------------------------------------------------------------------------------|
| 4 | Remap | Read-only bit. Indicates the size of the Flash/EE memory available. If this bit is set, only 32 kB of Flash/EE memory is available. |
| 3 | | Read-only bit. Indicates the size of the SRAM memory available. If this bit is set, only 4 kB of SRAM is available. |
| 2:1 | | Reserved. |
| 0 | | Remap bit. Set by user to remap the SRAM to Address 0x00000000. Cleared automatically after reset to remap the Flash/EE memory to Address 0x00000000. |

Table 46. RSTSTA Register

| Name | Address | Default Value | Access |
|--------|------------|---------------|--------|
| RSTSTA | 0xFFFF0230 | 0x01 | R/W |

Table 47. RSTSTA MMR Bit Designations

| Bit | Description |
|-----|-------------------------------------------------------------------------------------------------------------------------|
| 7:3 | Reserved. |
| 2 | Software reset. Set by user to force a software reset. Cleared by setting the corresponding bit in RSTCLR. |
| 1 | Watchdog timeout. Set automatically when a watchdog timeout occurs. Cleared by setting the corresponding bit in RSTCLR. |
| 0 | Power-on reset. Set automatically when a power-on reset occurs. Cleared by setting the corresponding bit in RSTCLR. |

Table 48. RSTCLR Register

| Name | Address | Default Value | Access |
|--------|------------|---------------|--------|
| RSTCLR | 0xFFFF0234 | 0x00 | W |

Note that to clear the RSTSTA register, the user must write 0x07 to the RSTCLR register.

OTHER ANALOG PERIPHERALS

DAC

The ADuC7019/20/21/22/24/25/26/27/28/29 incorporate two, three, or four 12-bit voltage output DACs on-chip, depending on the model. Each DAC has a rail-to-rail voltage output buffer capable of driving 5 kΩ/100 pF.

Each DAC has three selectable ranges: 0 V to V_{REF} (internal band gap 2.5 V reference), 0 V to DAC_{REF} , and 0 V to AV_{DD} . DAC_{REF} is equivalent to an external reference for the DAC. The signal range is 0 V to AV_{DD} .

MMRs Interface

Each DAC is independently configurable through a control register and a data register. These two registers are identical for the four DACs. Only $DAC0CON$ (see Table 50) and $DAC0DAT$ (see Table 52) are described in detail in this section.

Table 49. DACxCON Registers

| Name | Address | Default Value | Access |
|---------|------------|---------------|--------|
| DAC0CON | 0xFFFF0600 | 0x00 | R/W |
| DAC1CON | 0xFFFF0608 | 0x00 | R/W |
| DAC2CON | 0xFFFF0610 | 0x00 | R/W |
| DAC3CON | 0xFFFF0618 | 0x00 | R/W |

Table 50. DAC0CON MMR Bit Designations

| Bit | Name | Value | Description |
|-----|--------|-------|-------------------------------------------------------------------------------------------------------------------------|
| 7:6 | | | Reserved. |
| 5 | DACCLK | | DAC update rate. Set by user to update the DAC using Timer1. Cleared by user to update the DAC using HCLK (core clock). |
| 4 | DACCLR | | DAC clear bit. Set by user to enable normal DAC operation. Cleared by user to reset data register of the DAC to 0. |
| 3 | | | Reserved. This bit should be left at 0. |
| 2 | | | Reserved. This bit should be left at 0. |
| 1:0 | | | DAC range bits. |
| | | 00 | Power-down mode. The DAC output is in three-state. |
| | | 01 | 0 V to DAC_{REF} range. |
| | | 10 | 0 V to V_{REF} (2.5 V) range. |
| | | 11 | 0 V to AV_{DD} range. |

Table 51. DACxDAT Registers

| Name | Address | Default Value | Access |
|---------|------------|---------------|--------|
| DAC0DAT | 0xFFFF0604 | 0x00000000 | R/W |
| DAC1DAT | 0xFFFF060C | 0x00000000 | R/W |
| DAC2DAT | 0xFFFF0614 | 0x00000000 | R/W |
| DAC3DAT | 0xFFFF061C | 0x00000000 | R/W |

Table 52. DAC0DAT MMR Bit Designations

| Bit | Description |
|-------|-----------------------|
| 31:28 | Reserved. |
| 27:16 | 12-bit data for DAC0. |
| 15:0 | Reserved. |

Using the DACs

The on-chip DAC architecture consists of a resistor string DAC followed by an output buffer amplifier. The functional equivalent is shown in Figure 63.

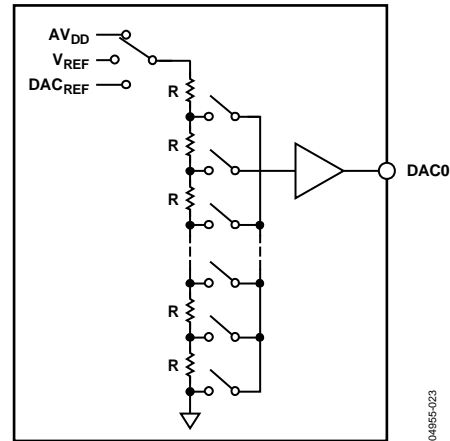


Figure 63. DAC Structure

As illustrated in Figure 63, the reference source for each DAC is user-selectable in software. It can be AV_{DD} , V_{REF} , or DAC_{REF} . In 0-to- AV_{DD} mode, the DAC output transfer function spans from 0 V to the voltage at the AV_{DD} pin. In 0-to- DAC_{REF} mode, the DAC output transfer function spans from 0 V to the voltage at the DAC_{REF} pin. In 0-to- V_{REF} mode, the DAC output transfer function spans from 0 V to the internal 2.5 V reference, V_{REF} .

The DAC output buffer amplifier features a true, rail-to-rail output stage implementation. This means that when unloaded, each output is capable of swinging to within less than 5 mV of both AV_{DD} and ground. Moreover, the DAC's linearity specification (when driving a 5 kΩ resistive load to ground) is guaranteed through the full transfer function, except Code 0 to Code 100, and, in 0-to- AV_{DD} mode only, Code 3995 to Code 4095.

Linearity degradation near ground and AV_{DD} is caused by saturation of the output amplifier, and a general representation of its effects (neglecting offset and gain error) is illustrated in Figure 64. The dotted line in Figure 64 indicates the ideal transfer function, and the solid line represents what the transfer function may look like with endpoint nonlinearities due to saturation of the output amplifier. Note that Figure 64 represents a transfer function in 0-to- AV_{DD} mode only. In 0-to- V_{REF} or 0-to- DAC_{REF} mode (with $V_{REF} < AV_{DD}$ or $DAC_{REF} < AV_{DD}$), the lower nonlinearity is similar. However, the upper portion of the transfer function follows the ideal line right to the end (V_{REF} in this case, not AV_{DD}), showing no signs of endpoint linearity errors.

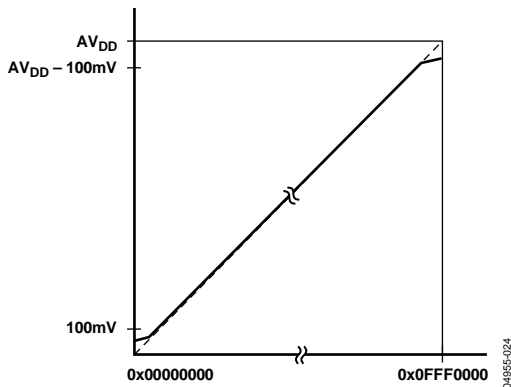


Figure 64. Endpoint Nonlinearities Due to Amplifier Saturation

The endpoint nonlinearities conceptually illustrated in Figure 64 get worse as a function of output loading. Most of the ADuC7019/20/21/22/24/25/26/27/28/29 data sheet specifications assume a 5 kΩ resistive load to ground at the DAC output. As the output is forced to source or sink more current, the nonlinear regions at the top or bottom (respectively) of Figure 64 become larger. With larger current demands, this can significantly limit output voltage swing.

POWER SUPPLY MONITOR

The power supply monitor regulates the IOV_{DD} supply on the ADuC7019/20/21/22/24/25/26/27/28/29. It indicates when the IOV_{DD} supply pin drops below one of two supply trip points. The monitor function is controlled via the PSMCON register. If enabled in the IRQEN or FIQEN register, the monitor interrupts the core using the PSMI bit in the PSMCON MMR. This bit is immediately cleared after CMP goes high.

This monitor function allows the user to save working registers to avoid possible data loss due to low supply or brown-out conditions. It also ensures that normal code execution does not resume until a safe supply level is established.

Table 53. PSMCON Register

| Name | Address | Default Value | Access |
|--------|------------|---------------|--------|
| PSMCON | 0xFFFF0440 | 0x0008 | R/W |

Table 54. PSMCON MMR Bit Descriptions

| Bit | Name | Description |
|-----|-------|----------------------------------------------------------------------------------------------------------------------------------------------------------------------------------------------------------------------------------------------------------------------------------------------------------------------------------------------------------------------------------|
| 3 | CMP | Comparator bit. This is a read-only bit that directly reflects the state of the comparator. Read 1 indicates that the IOV_{DD} supply is above its selected trip point or that the PSM is in power-down mode. Read 0 indicates that the IOV_{DD} supply is below its selected trip point. This bit should be set before leaving the interrupt service routine. |
| 2 | TP | Trip point selection bit. 0 = 2.79 V, 1 = 3.07 V. |
| 1 | PSMEN | Power supply monitor enable bit. Set to 1 to enable the power supply monitor circuit. Cleared to 0 to disable the power supply monitor circuit. |
| 0 | PSMI | Power supply monitor interrupt bit. This bit is set high by the MicroConverter after CMP goes low, indicating low I/O supply. The PSMI bit can be used to interrupt the processor. After CMP returns high, the PSMI bit can be cleared by writing a 1 to this location. A 0 write has no effect. There is no timeout delay; PSMI can be immediately cleared after CMP goes high. |

COMPARATOR

The ADuC7019/20/21/22/24/25/26/27/28/29 integrate voltage comparators. The positive input is multiplexed with ADC2, and the negative input has two options: ADC3 and DAC0. The output of the comparator can be configured to generate a system interrupt, be routed directly to the programmable logic array, start an ADC conversion, or be on an external pin, CMP_{OUT} , as shown in Figure 65.

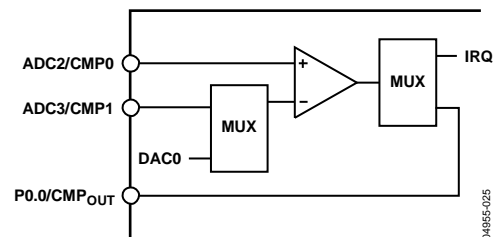


Figure 65. Comparator

Note that because the ADuC7022, ADuC7025, and ADuC7027 parts do not support a DAC0 output, it is not possible to use DAC0 as a comparator input on these parts.

Hysteresis

Figure 66 shows how the input offset voltage and hysteresis terms are defined.

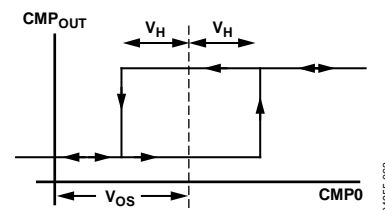


Figure 66. Comparator Hysteresis Transfer Function

Input offset voltage (V_{OS}) is the difference between the center of the hysteresis range and the ground level. This can either be positive or negative. The hysteresis voltage (V_H) is one-half the width of the hysteresis range.

Comparator Interface

The comparator interface consists of a 16-bit MMR, CMPCON, which is described in Table 56.

Table 55. CMPCON Register

| Name | Address | Default Value | Access |
|--------|------------|---------------|--------|
| CMPCON | 0xFFFF0444 | 0x0000 | R/W |

Table 56. CMPCON MMR Bit Descriptions

| Bit | Name | Value | Description |
|-------|---------|-------|-------------------------------------------------------------------------------------------------------------------------------------------------------------------------------------------------------------------------------------------------|
| 15:11 | | | Reserved. |
| 10 | CMPEN | | Comparator enable bit. Set by user to enable the comparator. Cleared by user to disable the comparator. |
| 9:8 | CMPIN | | Comparator negative input select bits. |
| | | 00 | $AV_{DD}/2$. |
| | | 01 | ADC3 input. |
| | | 10 | DAC0 output. |
| 7:6 | CMPOC | 11 | Reserved. |
| | | 00 | Reserved. |
| | | 01 | Reserved. |
| | | 10 | Output on CMP_{OUT} . |
| 5 | CMPOL | 11 | IRQ. |
| | | | Comparator output logic state bit. When low, the comparator output is high if the positive input ($CMP0$) is above the negative input ($CMP1$). When high, the comparator output is high if the positive input is below the negative input. |
| 4:3 | CMPRES | | Response time. |
| | | 00 | 5 μ s response time is typical for large signals (2.5 V differential). 17 μ s response time is typical for small signals (0.65 mV differential). |
| | | 11 | 3 μ s typical. |
| 01/10 | CMPHYST | | Reserved. |
| | | | Comparator hysteresis bit. Set by user to have a hysteresis of about 7.5 mV. Cleared by user to have no hysteresis. |
| 1 | CMPORI | | Comparator output rising edge interrupt. Set automatically when a rising edge occurs on the monitored voltage ($CMP0$). Cleared by user by writing a 1 to this bit. |
| 0 | CMPOFI | | Comparator output falling edge interrupt. Set automatically when a falling edge occurs on the monitored voltage ($CMP0$). Cleared by user. |

OSCILLATOR AND PLL—POWER CONTROL

Clocking System

Each ADuC7019/20/21/22/24/25/26/27/28/29 integrates a 32.768 kHz $\pm 3\%$ oscillator, a clock divider, and a PLL. The PLL locks onto a multiple (1275) of the internal oscillator or an external 32.768 kHz crystal to provide a stable 41.78 MHz clock (UCLK) for the system. To allow power saving, the core can operate at this frequency, or at binary submultiples of it. The actual core operating frequency, $UCLK/2^{CD}$, is referred to as HCLK. The default core clock is the PLL clock divided by 8 ($CD = 3$) or 5.22 MHz. The core clock frequency can also come from an external clock on the ECLK pin as described in Figure 67. The core clock can be outputted on ECLK when using an internal oscillator or external crystal.

Note that when the ECLK pin is used to output the core clock, the output signal is not buffered and is not suitable for use as a clock source to an external device without an external buffer.

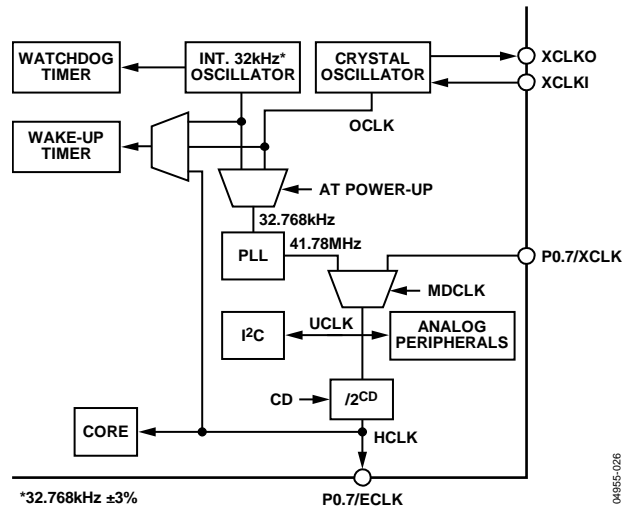


Figure 67. Clocking System

The selection of the clock source is in the PLLCON register. By default, the part uses the internal oscillator feeding the PLL.

External Crystal Selection

To switch to an external crystal, the user must do the following:

1. Enable the Timer2 interrupt and configure it for a timeout period of >120 μ s.
2. Follow the write sequence to the PLLCON register, setting the MDCLK bits to 01 and clearing the OSEL bit.
3. Force the part into NAP mode by following the correct write sequence to the POWCON register.

When the part is interrupted from NAP mode by the Timer2 interrupt source, the clock source has switched to the external clock.

Example source code

```

t2val_old= T2VAL;
T2LD = 5;
TCON = 0x480;

while ((T2VAL == t2val_old) || (T2VAL >
3)) //ensures timer value loaded
  IRQEN = 0x10;
//enable T2 interrupt
PLLKEY1 = 0xAA;
PLLCON = 0x01;
PLLKEY2 = 0x55;

POWKEY1 = 0x01;
POWCON = 0x27;
// Set Core into Nap mode
POWKEY2 = 0xF4;

```

In noisy environments, noise can couple to the external crystal pins, and PLL may lose lock momentarily. A PLL interrupt is provided in the interrupt controller. The core clock is immediately halted, and this interrupt is only serviced when the lock is restored.

In case of crystal loss, the watchdog timer should be used. During initialization, a test on the RSTSTA register can determine if the reset came from the watchdog timer.

External Clock Selection

To switch to an external clock on P0.7, configure P0.7 in Mode 1. The external clock can be up to 44 MHz, providing the tolerance is 1%.

Table 57. Operating Modes¹

| Mode | Core | Peripherals | PLL | XTAL/T2/T3 | IRQ0 to IRQ3 | Start-Up/Power-On Time |
|--------|------|-------------|-----|------------|--------------|--------------------------------------|
| Active | X | X | X | X | X | 130 ms at CD = 0 |
| Pause | | X | X | X | X | 24 ns at CD = 0; 3 μ s at CD = 7 |
| Nap | | | X | X | X | 24 ns at CD = 0; 3 μ s at CD = 7 |
| Sleep | | | | X | X | 1.58 ms |
| Stop | | | | | X | 1.7 ms |

¹ X indicates that the part is powered on.

Table 58. Typical Current Consumption at 25°C in Milliamperes

| PC[2:0] | Mode | CD = 0 | CD = 1 | CD = 2 | CD = 3 | CD = 4 | CD = 5 | CD = 6 | CD = 7 |
|---------|--------|--------|--------|--------|--------|--------|--------|--------|--------|
| 000 | Active | 33.1 | 21.2 | 13.8 | 10 | 8.1 | 7.2 | 6.7 | 6.45 |
| 001 | Pause | 22.7 | 13.3 | 8.5 | 6.1 | 4.9 | 4.3 | 4 | 3.85 |
| 010 | Nap | 3.8 | 3.8 | 3.8 | 3.8 | 3.8 | 3.8 | 3.8 | 3.8 |
| 011 | Sleep | 0.4 | 0.4 | 0.4 | 0.4 | 0.4 | 0.4 | 0.4 | 0.4 |
| 100 | Stop | 0.4 | 0.4 | 0.4 | 0.4 | 0.4 | 0.4 | 0.4 | 0.4 |

Example source code

```

t2val_old= T2VAL;
T2LD = 5;
TCON = 0x480;

while ((T2VAL == t2val_old) || (T2VAL >
3)) //ensures timer value loaded
  IRQEN = 0x10;
//enable T2 interrupt
PLLKEY1 = 0xAA;
PLLCON = 0x03; //Select external clock
PLLKEY2 = 0x55;

POWKEY1 = 0x01;
POWCON = 0x27;
// Set Core into Nap mode
POWKEY2 = 0xF4;

```

Power Control System

A choice of operating modes is available on the ADuC7019/20/21/22/24/25/26/27/28/29. Table 57 describes what part is powered on in the different modes and indicates the power-up time.

Table 58 gives some typical values of the total current consumption (analog + digital supply currents) in the different modes, depending on the clock divider bits. The ADC is turned off. Note that these values also include current consumption of the regulator and other parts on the test board where these values are measured.

MMRs and Keys

The operating mode, clocking mode, and programmable clock divider are controlled via two MMRs: PLLCON (see Table 61) and POWCON (see Table 64). PLLCON controls the operating mode of the clock system, whereas POWCON controls the core clock frequency and the power-down mode.

To prevent accidental programming, a certain sequence (see Table 65) must be followed to write to the PLLCON and POWCON registers.

Table 59. PLLKEYx Registers

| Name | Address | Default Value | Access |
|---------|------------|---------------|--------|
| PLLKEY1 | 0xFFFF0410 | 0x0000 | W |
| PLLKEY2 | 0xFFFF0418 | 0x0000 | W |

Table 60. PLLCON Register

| Name | Address | Default Value | Access |
|--------|------------|---------------|--------|
| PLLCON | 0xFFFF0414 | 0x21 | R/W |

Table 61. PLLCON MMR Bit Designations

| Bit | Name | Value | Description |
|-----|-------|----------------------------------------------------------------------------------------------------------------------------------------------------------|---------------------------------|
| 7:6 | OSEL | | Reserved. |
| 5 | | 32 kHz PLL input selection. Set by user to select the internal 32 kHz oscillator. Set by default. Cleared by user to select the external 32 kHz crystal. | |
| 4:2 | MDCLK | | Reserved. |
| 1:0 | | | Clocking modes. |
| | | 00 | Reserved. |
| | | 01 | PLL. Default configuration. |
| | | 10 | Reserved. |
| | | 11 | External clock on the P0.7 pin. |

Table 62. POWKEYx Registers

| Name | Address | Default Value | Access |
|---------|------------|---------------|--------|
| POWKEY1 | 0xFFFF0404 | 0x0000 | W |
| POWKEY2 | 0xFFFF040C | 0x0000 | W |

Table 63. POWCON Register

| Name | Address | Default Value | Access |
|--------|------------|---------------|--------|
| POWCON | 0xFFFF0408 | 0x0003 | R/W |

Table 64. POWCON MMR Bit Designations

| Bit | Name | Value | Description | |
|-----|------|-------|-------------|-----------------------------------------------------------|
| 7 | PC | | Reserved. | |
| 6:4 | | | 000 | Operating modes. |
| | | | 001 | Active mode. |
| | | | 010 | Pause mode. |
| | | | 011 | Nap. |
| | | | 100 | Sleep mode. IRQ0 to IRQ3 and Timer2 can wake up the part. |
| | | | 101 | Stop mode. IRQ0 to IRQ3 can wake up the part. |
| | | | 110 | Reserved. |
| | | | 111 | Reserved. |
| | | | Others | Reserved. |
| 3 | CD | | Reserved. | |
| 2:0 | | | | CPU clock divider bits. |
| | | | 000 | 41.78 MHz. |
| | | | 001 | 20.89 MHz. |
| | | | 010 | 10.44 MHz. |
| | | | 011 | 5.22 MHz. |
| | | | 100 | 2.61 MHz. |
| | | | 101 | 1.31 MHz. |
| | | | 110 | 653 kHz. |
| | | | 111 | 326 kHz. |

Table 65. PLLCON and POWCON Write Sequence

| PLLCON | POWCON |
|----------------|---------------------|
| PLLKEY1 = 0xAA | POWKEY1 = 0x01 |
| PLLCON = 0x01 | POWCON = user value |
| PLLKEY2 = 0x55 | POWKEY2 = 0xF4 |

DIGITAL PERIPHERALS

3-PHASE PWM

Each ADuC7019/20/21/22/24/25/26/27/28/29 provides a flexible and programmable, 3-phase pulse-width modulation (PWM) waveform generator. It can be programmed to generate the required switching patterns to drive a 3-phase voltage source inverter for ac induction motor control (ACIM). Note that only active high patterns can be produced.

The PWM generator produces three pairs of PWM signals on the six PWM output pins (PWM0_H, PWM0_L, PWM1_H, PWM1_L, PWM2_H, and PWM2_L). The six PWM output signals consist of three high-side drive signals and three low-side drive signals.

The switching frequency and dead time of the generated PWM patterns are programmable using the PWMDAT0 and PWMDAT1 MMRs. In addition, three duty-cycle control registers (PWMCH0, PWMCH1, and PWMCH2) directly control the duty cycles of the three pairs of PWM signals.

Each of the six PWM output signals can be enabled or disabled by separate output enable bits of the PWMEN register. In addition, three control bits of the PWMEN register permit crossover of the two signals of a PWM pair. In crossover mode, the PWM signal destined for the high-side switch is diverted to the complementary low-side output. The signal destined for the low-side switch is diverted to the corresponding high-side output signal.

In many applications, there is a need to provide an isolation barrier in the gate-drive circuits that turn on the inverter power devices. In general, there are two common isolation techniques: optical isolation using optocouplers and transformer isolation using pulse transformers. The PWM controller permits mixing of the output PWM signals with a high frequency chopping signal to permit easy interface to such pulse transformers. The features of this gate-drive chopping mode can be controlled by the PWMCFG register. An 8-bit value within the PWMCFG register directly controls the chopping frequency. High frequency chopping can be independently enabled for the high-side and low-side outputs using separate control bits in the PWMCFG register.

The PWM generator can operate in one of two distinct modes: single update mode or double update mode. In single update mode, the duty cycle values are programmable only once per PWM period so that the resulting PWM patterns are symmetrical about the midpoint of the PWM period. In the double update mode, a second updating of the PWM duty cycle values is implemented at the midpoint of the PWM period.

In double update mode, it is also possible to produce asymmetrical PWM patterns that produce lower harmonic distortion in 3-phase PWM inverters. This technique permits closed-loop controllers to change the average voltage applied to the machine windings at a faster rate. As a result, faster closed-loop bandwidths are achieved. The operating mode of the PWM block is selected by a control bit in the PWMCON register. In single update mode,

an internal synchronization pulse, PWMSYNC, is produced at the start of each PWM period. In double update mode, an additional PWMSYNC pulse is produced at the midpoint of each PWM period.

The PWM block can also provide an internal synchronization pulse on the PWM_{SYNC} pin that is synchronized to the PWM switching frequency. In single update mode, a pulse is produced at the start of each PWM period. In double update mode, an additional pulse is produced at the mid-point of each PWM period. The width of the pulse is programmable through the PWMDAT2 register. The PWM block can also accept an external synchronization pulse on the PWM_{SYNC} pin. The selection of external synchronization or internal synchronization is in the PWMCON register. The SYNC input timing can be synchronized to the internal peripheral clock, which is selected in the PWMCON register. If the external synchronization pulse from the chip pin is asynchronous to the internal peripheral clock (typical case), the external PWMSYNC is considered asynchronous and should be synchronized. The synchronization logic adds latency and jitter from the external pulse to the actual PWM outputs. The size of the pulse on the PWM_{SYNC} pin must be greater than two core clock periods.

The PWM signals produced by the ADuC7019/20/21/22/24/25/26/27/28/29 can be shut off via a dedicated asynchronous PWM shutdown pin, PWM_{TRIP}. When brought low, PWM_{TRIP} instantaneously places all six PWM outputs in the off state (high). This hardware shutdown mechanism is asynchronous so that the associated PWM disable circuitry does not go through any clocked logic. This ensures correct PWM shutdown even in the event of a core clock loss.

Status information about the PWM system is available to the user in the PWMSTA register. In particular, the state of the PWM_{TRIP} pin is available, as well as a status bit that indicates whether operation is in the first half or the second half of the PWM period.

40-Pin Package Devices

On the 40-pin package devices, the PWM outputs are not directly accessible, as described in the General-Purpose Input/Output section. One channel can be brought out on a GPIO (see Table 78) via the PLA as shown in the following example:

```
PWMCON = 0x1;           // enables PWM o/p
PWMDAT0 = 0x055F;      // PWM switching freq
// Configure Port Pins
GP4CON = 0x300;        // P4.2 as PLA output
GP3CON = 0x1;          // P3.0 configured as
                        // output of PWM0
                        // (internally)

// PWM0 onto P4.2
PLAELM8 = 0x0035;     // P3.0 (PWM output)
                        // input of element 8
PLAELM10 = 0x0059;    // PWM from element 8
```

DESCRIPTION OF THE PWM BLOCK

A functional block diagram of the PWM controller is shown in Figure 68. The generation of the six output PWM signals on Pin PWM0_H to Pin PWM2_L is controlled by the following four important blocks:

- The 3-phase PWM timing unit. The core of the PWM controller, this block generates three pairs of complemented and dead-time-adjusted, center-based PWM signals. This unit also generates the internal synchronization pulse, PWMSYNC. It also controls whether the external PWMSYNC pin is used.
- The output control unit. This block can redirect the outputs of the 3-phase timing unit for each channel to either the high-side or low-side output. In addition, the output control unit allows individual enabling/disabling of each of the six PWM output signals.
- The gate drive unit. This block can generate the high frequency chopping and its subsequent mixing with the PWM signals.
- The PWM shutdown controller. This block controls the PWM shutdown via the PWM_{TRIP} pin and generates the correct reset signal for the timing unit.

The PWM controller is driven by the ADuC7019/20/21/22/24/25/26/27/28/29 core clock frequency and is capable of generating two interrupts to the ARM core. One interrupt is generated on the occurrence of a PWMSYNC pulse, and the other is generated on the occurrence of any PWM shutdown action.

3-Phase Timing Unit

PWM Switching Frequency (PWMDAT0 MMR)

The PWM switching frequency is controlled by the PWM period register, PWMDAT0. The fundamental timing unit of the PWM controller is

$$t_{CORE} = 1/f_{CORE}$$

where f_{CORE} is the core frequency of the MicroConverter.

Therefore, for a 41.78 MHz f_{CORE} , the fundamental time increment is 24 ns. The value written to the PWMDAT0 register is effectively the number of f_{CORE} clock increments in one-half a PWM period. The required PWMDAT0 value is a function of the desired PWM switching frequency (f_{PWN}) and is given by

$$PWMDAT0 = f_{CORE} / (2 \times f_{PWN})$$

Therefore, the PWM switching period, t_s , can be written as

$$t_s = 2 \times PWMDAT0 \times t_{CORE}$$

The largest value that can be written to the 16-bit PWMDAT0 MMR is 0xFFFF = 65,535, which corresponds to a minimum PWM switching frequency of

$$f_{PWM(min)} = 41.78 \times 10^6 / (2 \times 65,535) = 318.75 \text{ Hz}$$

Note that PWMDAT0 values of 0 and 1 are not defined and should not be used.

PWM Switching Dead Time (PWMDAT1 MMR)

The second important parameter that must be set up in the initial configuration of the PWM block is the switching dead time. This is a short delay time introduced between turning off one PWM signal (0H, for example) and turning on the complementary signal (0L). This short time delay is introduced to permit the power switch to be turned off (in this case, 0H) to completely recover its blocking capability before the complementary switch is turned on. This time delay prevents a potentially destructive short-circuit condition from developing across the dc link capacitor of a typical voltage source inverter.

The dead time is controlled by the 10-bit, read/write PWMDAT1 register. There is only one dead-time register that controls the dead time inserted into all three pairs of PWM output signals. The dead time, t_D , is related to the value in the PWMDAT1 register by

$$t_D = PWMDAT1 \times 2 \times t_{CORE}$$

Therefore, a PWMDAT1 value of 0x00A (= 10), introduces a 426 ns delay between the turn-off on any PWM signal (0H, for example) and the turn-on of its complementary signal (0L). The amount of the dead time can, therefore, be programmed in increments of $2t_{CORE}$ (or 49 ns for a 41.78 MHz core clock).

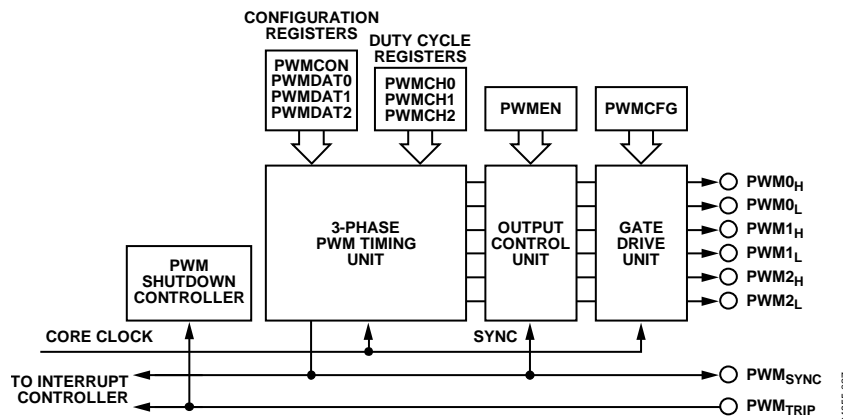


Figure 68. Overview of the PWM Controller

The PWMDAT1 register is a 10-bit register with a maximum value of 0x3FF (= 1023), which corresponds to a maximum programmed dead time of

$$t_{D(max)} = 1023 \times 2 \times t_{CORE} = 1023 \times 2 \times 24 \times 10^{-9} = 48.97 \mu\text{s}$$

for a core clock of 41.78 MHz.

The dead time can be programmed to be zero by writing 0 to the PWMDAT1 register.

PWM Operating Mode (PWMCON and PWMSTA MMRs)

As discussed in the 3-Phase PWM section, the PWM controller of the ADuC7019/20/21/22/24/25/26/27/28/29 can operate in two distinct modes: single update mode and double update mode. The operating mode of the PWM controller is determined by the state of Bit 2 of the PWMCON register. If this bit is cleared, the PWM operates in the single update mode. Setting Bit 2 places the PWM in the double update mode. The default operating mode is single update mode.

In single update mode, a single PWMSYNC pulse is produced in each PWM period. The rising edge of this signal marks the start of a new PWM cycle and is used to latch new values from the PWM configuration registers (PWMDAT0 and PWMDAT1) and the PWM duty cycle registers (PWMCH0, PWMCH1, and PWMCH2) into the 3-phase timing unit. In addition, the PWMEN register is latched into the output control unit on the rising edge of the PWMSYNC pulse. In effect, this means that the characteristics and resulting duty cycles of the PWM signals can be updated only once per PWM period at the start of each cycle. The result is symmetrical PWM patterns about the midpoint of the switching period.

In double update mode, there is an additional PWMSYNC pulse produced at the midpoint of each PWM period. The rising edge of this new PWMSYNC pulse is again used to latch new values of the PWM configuration registers, duty cycle registers, and the PWMEN register. As a result, it is possible to alter both the characteristics (switching frequency and dead time) as well as the output duty cycles at the midpoint of each PWM cycle. Consequently, it is also possible to produce PWM switching patterns that are no longer symmetrical about the midpoint of the period (asymmetrical PWM patterns). In double update mode, it could be necessary to know whether operation at any point in time is in either the first half or the second half of the PWM cycle. This information is provided by Bit 0 of the PWMSTA register, which is cleared during operation in the first half of each PWM period (between the rising edge of the original PWMSYNC pulse and the rising edge of the new PWMSYNC pulse introduced in double update mode). Bit 0 of the PWMSTA register is set during operation in the second half of each PWM period. This status bit allows the user to make a determination of the particular half cycle during implementation of the PWMSYNC interrupt service routine, if required.

The advantage of double update mode is that lower harmonic voltages can be produced by the PWM process, and faster control bandwidths are possible. However, for a given PWM switching frequency, the PWMSYNC pulses occur at twice the rate in the double update mode. Because new duty cycle values must be computed in each PWMSYNC interrupt service routine, there is a larger computational burden on the ARM core in double update mode.

PWM Duty Cycles (PWMCH0, PWMCH1, and PWMCH2 MMRs)

The duty cycles of the six PWM output signals on Pin PWM0_H to Pin PWM2_L are controlled by the three 16-bit read/write duty cycle registers, PWMCH0, PWMCH1, and PWMCH2. The duty cycle registers are programmed in integer counts of the fundamental time unit, t_{CORE}. They define the desired on time of the high-side PWM signal produced by the 3-phase timing unit over half the PWM period. The switching signals produced by the 3-phase timing unit are also adjusted to incorporate the programmed dead time value in the PWMDAT1 register. The 3-phase timing unit produces active high signals so that a high level corresponds to a command to turn on the associated power device.

Figure 69 shows a typical pair of PWM outputs (in this case, 0H and 0L) from the timing unit in single update mode. All illustrated time values indicate the integer value in the associated register and can be converted to time by simply multiplying by the fundamental time increment, t_{CORE}. Note that the switching patterns are perfectly symmetrical about the midpoint of the switching period in this mode because the same values of PWMCH0, PWMDAT0, and PWMDAT1 are used to define the signals in both half cycles of the period.

Figure 69 also demonstrates how the programmed duty cycles are adjusted to incorporate the desired dead time into the resulting pair of PWM signals. The dead time is incorporated by moving the switching instants of both PWM signals (0H and 0L) away from the instant set by the PWMCH0 register.

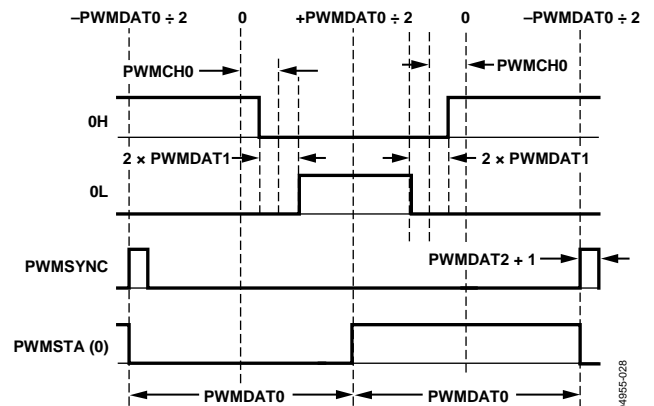


Figure 69. Typical PWM Outputs of the 3-Phase Timing Unit (Single Update Mode)

Both switching edges are moved by an equal amount ($PWMDAT1 \times t_{CORE}$) to preserve the symmetrical output patterns.

Also shown are the PWMSYNC pulse and Bit 0 of the PWMSTA register, which indicates whether operation is in the first or second half cycle of the PWM period.

The resulting on times of the PWM signals over the full PWM period (two half periods) produced by the timing unit can be written as follows:

On the high side

$$t_{0HH} = PWMDAT0 + 2(PWMCH0 - PWMDAT1) \times t_{CORE}$$

$$t_{0HL} = PWMDAT0 - 2(PWMCH0 - PWMDAT1) \times t_{CORE}$$

and the corresponding duty cycles (d)

$$d_{0H} = t_{0HH}/t_s = \frac{1}{2} + (PWMCH0 - PWMDAT1)/PWMDAT0$$

and on the low side

$$t_{0LH} = PWMDAT0 - 2(PWMCH0 + PWMDAT1) \times t_{CORE}$$

$$t_{0LL} = PWMDAT0 + 2(PWMCH0 + PWMDAT1) \times t_{CORE}$$

and the corresponding duty cycles (d)

$$d_{0L} = t_{0LH}/t_s = \frac{1}{2} - (PWMCH0 + PWMDAT1)/PWMDAT0$$

The minimum permissible t_{0H} and t_{0L} values are zero, corresponding to a 0% duty cycle. In a similar fashion, the maximum value is t_s , corresponding to a 100% duty cycle.

Figure 70 shows the output signals from the timing unit for operation in double update mode. It illustrates a general case where the switching frequency, dead time, and duty cycle are all changed in the second half of the PWM period. The same value for any or all of these quantities can be used in both halves of the PWM cycle. However, there is no guarantee that symmetrical PWM signals are produced by the timing unit in double update mode. Figure 70 also shows that the dead time insertions into the PWM signals are done in the same way as in single update mode.

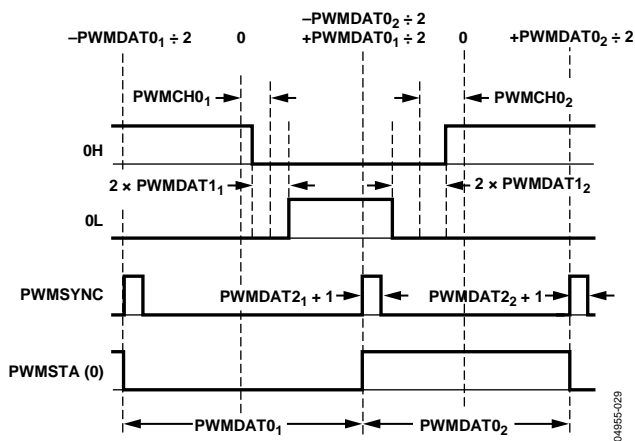


Figure 70. Typical PWM Outputs of the 3-Phase Timing Unit (Double Update Mode)

In general, the on times of the PWM signals in double update mode can be defined as follows:

On the high side

$$t_{0HH} = (PWMDAT0_1/2 + PWMDAT0_2/2 + PWMCH0_1 + PWMCH0_2 - PWMDAT1_1 - PWMDAT1_2) \times t_{CORE}$$

$$t_{0HL} = (PWMDAT0_1/2 + PWMDAT0_2/2 - PWMCH0_1 - PWMCH0_2 + PWMDAT1_1 + PWMDAT1_2) \times t_{CORE}$$

where Subscript 1 refers to the value of that register during the first half cycle, and Subscript 2 refers to the value during the second half cycle.

The corresponding duty cycles (d) are

$$d_{0H} = t_{0HH}/t_s = (PWMDAT0_1/2 + PWMDAT0_2/2 + PWMCH0_1 + PWMCH0_2 - PWMDAT1_1 - PWMDAT1_2)/(PWMDAT0_1 + PWMDAT0_2)$$

On the low side

$$t_{0LH} = (PWMDAT0_1/2 + PWMDAT0_2/2 + PWMCH0_1 + PWMCH0_2 + PWMDAT1_1 + PWMDAT1_2) \times t_{CORE}$$

$$t_{0LL} = (PWMDAT0_1/2 + PWMDAT0_2/2 - PWMCH0_1 - PWMCH0_2 - PWMDAT1_1 - PWMDAT1_2) \times t_{CORE}$$

where Subscript 1 refers to the value of that register during the first half cycle, and Subscript 2 refers to the value during the second half cycle.

The corresponding duty cycles (d) are

$$d_{0L} = t_{0LH}/t_s = (PWMDAT0_1/2 + PWMDAT0_2/2 + PWMCH0_1 + PWMCH0_2 + PWMDAT1_1 + PWMDAT1_2)/(PWMDAT0_1 + PWMDAT0_2)$$

For the completely general case in double update mode (see Figure 70), the switching period is given by

$$t_s = (PWMDAT0_1 + PWMDAT0_2) \times t_{CORE}$$

Again, the values of t_{0H} and t_{0L} are constrained to lie between zero and t_s .

PWM signals similar to those illustrated in Figure 69 and Figure 70 can be produced on the 1H, 1L, 2H, and 2L outputs by programming the PWMCH1 and PWMCH2 registers in a manner identical to that described for PWMCH0. The PWM controller does not produce any PWM outputs until all of the PWMDAT0, PWMCH0, PWMCH1, and PWMCH2 registers have been written to at least once. When these registers are written, internal counting of the timers in the 3-phase timing unit is enabled.

Writing to the PWMDAT0 register starts the internal timing of the main PWM timer. Provided that the PWMDAT0 register is written to prior to the PWMCH0, PWMCH1, and PWMCH2 registers in the initialization, the first PWMSYNC pulse and interrupt (if enabled) appear $1.5 \times t_{CORE} \times PWMDAT0$ seconds after the initial write to the PWMDAT0 register in single update mode. In double update mode, the first PWMSYNC pulse appears after $PWMDAT0 \times t_{CORE}$ seconds.

Output Control Unit

The operation of the output control unit is controlled by the 9-bit read/write PWMEN register. This register controls two distinct features of the output control unit that are directly useful in the control of electronic counter measures (ECM) or binary decimal counter measures (BDCM). The PWMEN register contains three crossover bits, one for each pair of PWM outputs. Setting Bit 8 of the PWMEN register enables the crossover mode for the 0H/0L pair of PWM signals, setting Bit 7 enables crossover on the 1H/1L pair of PWM signals, and setting Bit 6 enables crossover on the 2H/2L pair of PWM signals. If crossover mode is enabled for any pair of PWM signals, the high-side PWM signal from the timing unit (0H, for example) is diverted to the associated low-side output of the output control unit so that the signal ultimately appears at the PWM0_L pin. Of course, the corresponding low-side output of the timing unit is also diverted to the complementary high-side output of the output control unit so that the signal appears at the PWM0_H pin. Following a reset, the three crossover bits are cleared, and the crossover mode is disabled on all three pairs of PWM signals. The PWMEN register also contains six bits (Bit 0 to Bit 5) that can be used to individually enable or disable each of the six PWM outputs. If the associated bit of the PWMEN register is set, the corresponding PWM output is disabled regardless of the corresponding value of the duty cycle register. This PWM output signal remains in the off state as long as the corresponding enable/disable bit of the PWMEN register is set. The implementation of this output enable function is implemented after the crossover function.

Following a reset, all six enable bits of the PWMEN register are cleared, and all PWM outputs are enabled by default. In a manner identical to the duty cycle registers, the PWMEN is latched on the rising edge of the PWMSYNC signal. As a result, changes to this register become effective only at the start of each PWM cycle in single update mode. In double update mode, the PWMEN register can also be updated at the midpoint of the PWM cycle.

In the control of an ECM, only two inverter legs are switched at any time, and often the high-side device in one leg must be switched on at the same time as the low-side driver in a second leg. Therefore, by programming identical duty cycle values for two PWM channels (for example, PWMCH0 = PWMCH1) and setting Bit 7 of the PWMEN register to cross over the 1H/1L pair of PWM signals, it is possible to turn on the high-side switch of Phase A and the low-side switch of Phase B at the same time. In the control of ECM, it is usual for the third inverter leg (Phase C in this example) to be disabled for a number of PWM cycles. This function is implemented by disabling both the 2H and 2L PWM outputs by setting Bit 0 and Bit 1 of the PWMEN register.

This situation is illustrated in Figure 71, where it can be seen that both the 0H and 1L signals are identical because PWMCH0 = PWMCH1 and the crossover bit for Phase B is set.

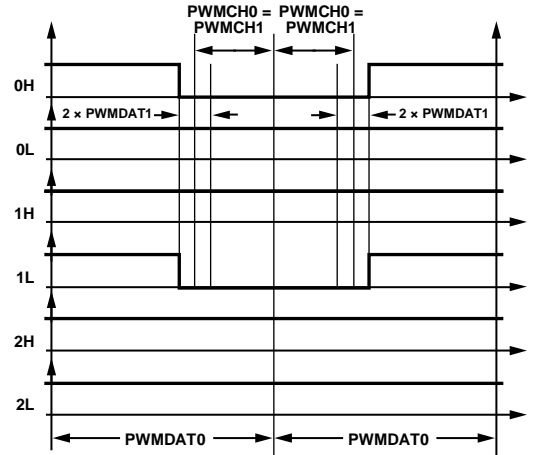


Figure 71. Active Low PWM Signals Suitable for ECM Control, PWMCH0 = PWMCH1, Crossover 1H/1L Pair and Disable 0L, 1H, 2H, and 2L Outputs in Single Update Mode.

In addition, the other four signals (0L, 1H, 2H, and 2L) have been disabled by setting the appropriate enable/disable bits of the PWMEN register. In Figure 71, the appropriate value for the PWMEN register is 0x00A7. In normal ECM operation, each inverter leg is disabled for certain periods of time to change the PWMEN register based on the position of the rotor shaft (motor commutation).

Gate Drive Unit

The gate drive unit of the PWM controller adds features that simplify the design of isolated gate-drive circuits for PWM inverters. If a transformer-coupled, power device, gate-drive amplifier is used, the active PWM signal must be chopped at a high frequency. The 16-bit read/write PWMCFG register programs this high frequency chopping mode. The chopped active PWM signals can be required for the high-side drivers only, the low-side drivers only, or both the high-side and low-side switches. Therefore, independent control of this mode for both high-side and low-side switches is included with two separate control bits in the PWMCFG register.

Typical PWM output signals with high frequency chopping enabled on both high-side and low-side signals are shown in Figure 72. Chopping of the high-side PWM outputs (0H, 1H, and 2H) is enabled by setting Bit 8 of the PWMCFG register. Chopping of the low-side PWM outputs (0L, 1L, and 2L) is enabled by setting Bit 9 of the PWMCFG register. The high chopping frequency is controlled by the 8-bit word (GDCLK) placed in Bit 0 to Bit 7 of the PWMCFG register. The period of this high frequency carrier is

$$t_{CHOP} = (4 \times (GDCLK + 1)) \times t_{CORE}$$

The chopping frequency is, therefore, an integral subdivision of the MicroConverter core frequency

$$f_{CHOP} = f_{CORE} / (4 \times (GDCLK + 1))$$

The GDCLK value can range from 0 to 255, corresponding to a programmable chopping frequency rate of 40.8 kHz to 10.44 MHz for a 41.78 MHz core frequency. The gate drive features must be programmed before operation of the PWM controller and are typically not changed during normal operation of the PWM controller. Following a reset, all bits of the PWMCFG register are cleared so that high frequency chopping is disabled, by default.

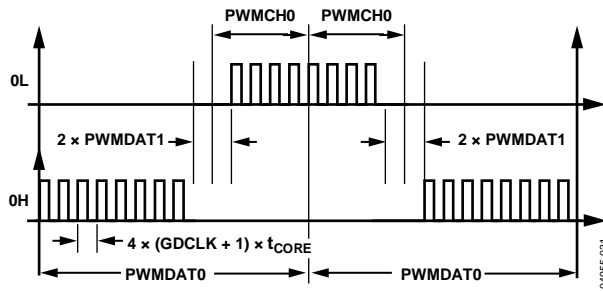


Figure 72. Typical PWM Signals with High Frequency Gate Chopping Enabled on Both High-Side and Low-Side Switches

PWM Shutdown

In the event of external fault conditions, it is essential that the PWM system be instantaneously shut down in a safe fashion. A low level on the PWMTRIP pin provides an instantaneous, asynchronous (independent of the MicroConverter core clock) shutdown of the PWM controller. All six PWM outputs are placed in the off state, that is, in low state. In addition, the PWMSYNC pulse is disabled. The PWMTRIP pin has an internal pull-down resistor to disable the PWM if the pin becomes disconnected. The state of the PWMTRIP pin can be read from Bit 3 of the PWMSTA register.

If a PWM shutdown command occurs, a PWMTRIP interrupt is generated, and internal timing of the 3-phase timing unit of the PWM controller is stopped. Following a PWM shutdown, the PWM can be reenabled (in a PWMTRIP interrupt service routine, for example) only by writing to all of the PWMDAT0, PWMCH0, PWMCH1, and PWMCH2 registers. Provided that the external fault is cleared and the PWMTRIP is returned to a high level, the internal timing of the 3-phase timing unit resumes, and new duty-cycle values are latched on the next PWMSYNC boundary.

Note that the PWMTRIP interrupt is available in IRQ only, and the PWMSYNC interrupt is available in FIQ only. Both interrupts share the same bit in the interrupt controller. Therefore, only one of the interrupts can be used at a time. See the Interrupt System section for further details.

PWM MMRs Interface

The PWM block is controlled via the MMRs described in this section.

Table 66. PWMCON Register

| Name | Address | Default Value | Access |
|--------|------------|---------------|--------|
| PWMCON | 0xFFFFFC00 | 0x0000 | R/W |

PWMCON is a control register that enables the PWM and chooses the update rate.

Table 67. PWMCON MMR Bit Descriptions

| Bit | Name | Description |
|-----|-------------|----------------------------------------------------------------------------------------------------------------------------------------------------|
| 7:5 | | Reserved. |
| 4 | PWM_SYNCSEL | External sync select. Set to use external sync. Cleared to use internal sync. |
| 3 | PWM_EXTSYNC | External sync select. Set to select external synchronous sync signal. Cleared for asynchronous sync signal. |
| 2 | PWMDBL | Double update mode. Set to 1 by user to enable double update mode. Cleared to 0 by the user to enable single update mode. |
| 1 | PWM_SYNC_EN | PWM synchronization enable. Set by user to enable synchronization. Cleared by user to disable synchronization. |
| 0 | PWMEN | PWM enable bit. Set to 1 by user to enable the PWM. Cleared to 0 by user to disable the PWM. Also cleared automatically with PWMTRIP (PWMSTA MMR). |

Table 68. PWMSTA Register

| Name | Address | Default Value | Access |
|--------|------------|---------------|--------|
| PWMSTA | 0xFFFFFC04 | 0x0000 | R/W |

PWMSTA reflects the status of the PWM.

Table 69. PWMSTA MMR Bit Descriptions

| Bit | Name | Description |
|-------|------------|-----------------------------------------------------------------------------------------------------------------------------------------------------------------------------|
| 15:10 | | Reserved. |
| 9 | PWMSYNCINT | PWM sync interrupt bit. Writing a 1 to this bit clears this interrupt. |
| 8 | PWMTRIPINT | PWM trip interrupt bit. Writing a 1 to this bit clears this interrupt. |
| 3 | PWMTRIP | Raw signal from the PWMTRIP pin. |
| 2:1 | | Reserved. |
| 0 | PWMPHASE | PWM phase bit. Set to 1 by the MicroConverter when the timer is counting down (first half). Cleared to 0 by the MicroConverter when the timer is counting up (second half). |

Table 70. PWMCFG Register

| Name | Address | Default Value | Access |
|--------|------------|---------------|--------|
| PWMCFG | 0xFFFFFC10 | 0x0000 | R/W |

PWMCFG is a gate chopping register.

Table 71. PWMCFG MMR Bit Descriptions

| Bit | Name | Description |
|-------|--------|--------------------------------------|
| 15:10 | | Reserved. |
| 9 | CHOPLO | Low-side gate chopping enable bit. |
| 8 | CHOPHI | High-side gate chopping enable bit. |
| 7:0 | GDCLK | PWM gate chopping period (unsigned). |

Table 72. PWMEN Register

| Name | Address | Default Value | Access |
|-------|------------|---------------|--------|
| PWMEN | 0xFFFFFC20 | 0x0000 | R/W |

PWMEN allows enabling of channel outputs and crossover. See its bit definitions in Table 73.

Table 73. PWMEN MMR Bit Descriptions

| Bit | Name | Description |
|-----|-----------|-----------------------------------------------------------------------------------------------------------------------------------------------------------|
| 8 | 0H0L_XOVR | Channel 0 output crossover enable bit. Set to 1 by user to enable Channel 0 output crossover. Cleared to 0 by user to disable Channel 0 output crossover. |
| 7 | 1H1L_XOVR | Channel 1 output crossover enable bit. Set to 1 by user to enable Channel 1 output crossover. Cleared to 0 by user to disable Channel 1 output crossover. |
| 6 | 2H2L_XOVR | Channel 2 output crossover enable bit. Set to 1 by user to enable Channel 2 output crossover. Cleared to 0 by user to disable Channel 2 output crossover. |
| 5 | 0L_EN | 0L output enable bit. Set to 1 by user to disable the 0L output of the PWM. Cleared to 0 by user to enable the 0L output of the PWM. |
| 4 | 0H_EN | 0H output enable bit. Set to 1 by user to disable the 0H output of the PWM. Cleared to 0 by user to enable the 0H output of the PWM. |
| 3 | 1L_EN | 1L output enable bit. Set to 1 by user to disable the 1L output of the PWM. Cleared to 0 by user to enable the 1L output of the PWM. |
| 2 | 1H_EN | 1H Output Enable Bit. Set to 1 by user to disable the 1H output of the PWM. Cleared to 0 by user to enable the 1H output of the PWM. |
| 1 | 2L_EN | 2L output enable bit. Set to 1 by user to disable the 2L output of the PWM. Cleared to 0 by user to enable the 2L output of the PWM. |
| 0 | 2H_EN | 2H output enable bit. Set to 1 by user to disable the 2H output of the PWM. Cleared to 0 by user to enable the 2H output of the PWM. |

Table 74. PWMDAT0 Register

| Name | Address | Default Value | Access |
|---------|------------|---------------|--------|
| PWMDAT0 | 0xFFFFFC08 | 0x0000 | R/W |

PWMDAT0 is an unsigned 16-bit register for switching period.

Table 75. PWMDAT1 Register

| Name | Address | Default Value | Access |
|---------|------------|---------------|--------|
| PWMDAT1 | 0xFFFFFC0C | 0x0000 | R/W |

PWMDAT1 is an unsigned 10-bit register for dead time.

Table 76. PWMCHx Registers

| Name | Address | Default Value | Access |
|--------|------------|---------------|--------|
| PWMCH0 | 0xFFFFFC14 | 0x0000 | R/W |
| PWMCH1 | 0xFFFFFC18 | 0x0000 | R/W |
| PWMCH2 | 0xFFFFFC1C | 0x0000 | R/W |

PWMCH0, PWMCH1, and PWMCH2 are channel duty cycles for the three phases.

Table 77. PWMDAT2 Register

| Name | Address | Default Value | Access |
|---------|------------|---------------|--------|
| PWMDAT2 | 0xFFFFFC24 | 0x0000 | R/W |

PWMDAT2 is an unsigned 10-bit register for PWM sync pulse width.

GENERAL-PURPOSE INPUT/OUTPUT

The ADuC7019/20/21/22/24/25/26/27/28/29 provide 40 general-purpose, bidirectional I/O (GPIO) pins. All I/O pins are 5 V tolerant, meaning the GPIOs support an input voltage of 5 V. In general, many of the GPIO pins have multiple functions (see Table 78 for the pin function definitions). By default, the GPIO pins are configured in GPIO mode.

All GPIO pins have an internal pull-up resistor (of about 100 kΩ), and their drive capability is 1.6 mA. Note that a maximum of 20 GPIOs can drive 1.6 mA at the same time. Using the GPxPAR registers, it is possible to enable/disable the pull-up resistors for the following ports: P0.0, P0.4, P0.5, P0.6, P0.7, and the eight GPIOs of P1.

The 40 GPIOs are grouped in five ports, Port 0 to Port 4 (Port x). Each port is controlled by four or five MMRs.

Note that the kernel changes P0.6 from its default configuration at reset (MRST) to GPIO mode. If MRST is used for external circuitry, an external pull-up resistor should be used to ensure that the level on P0.6 does not drop when the kernel switches mode. Otherwise, P0.6 goes low for the reset period. For example, if MRST is required for power-down, it can be reconfigured in GPOCON MMR.

The input level of any GPIO can be read at any time in the GPxDAT MMR, even when the pin is configured in a mode other than GPIO. The PLA input is always active.

When the ADuC7019/20/21/22/24/25/26/27/28/29 part enters a power-saving mode, the GPIO pins retain their state.

Table 78. GPIO Pin Function Descriptions

| Port | Pin | Configuration | | | |
|------|------|---------------|-----------------------------|------------------|----------|
| | | 00 | 01 | 10 | 11 |
| 0 | P0.0 | GPIO | CMP | MS0 | PLAI[7] |
| | P0.1 | GPIO | PWM2 _H | \overline{BLE} | |
| | P0.2 | GPIO | PWM2 _L | \overline{BHE} | |
| | P0.3 | GPIO | TRST | A16 | |
| | P0.4 | GPIO/IRQ0 | PWM _{TRIP} | MS1 | |
| | P0.5 | GPIO/IRQ1 | ADC _{BUSY} | MS2 | |
| | P0.6 | GPIO/T1 | MRST | | |
| | P0.7 | GPIO | ECLK/XCLK ¹ | SIN | |
| 1 | P1.0 | GPIO/T1 | SIN | SCL0 | PLAI[0] |
| | P1.1 | GPIO | SOUT | SDA0 | PLAI[1] |
| | P1.2 | GPIO | RTS | SCL1 | PLAI[2] |
| | P1.3 | GPIO | CTS | SDA1 | PLAI[3] |
| | P1.4 | GPIO/IRQ2 | RI | SCLK | PLAI[4] |
| | P1.5 | GPIO/IRQ3 | DCD | MISO | PLAI[5] |
| | P1.6 | GPIO | DSR | MOSI | PLAI[6] |
| | P1.7 | GPIO | DTR | \overline{CS} | PLAO[0] |
| 2 | P2.0 | GPIO | $\overline{CONV}_{START}^2$ | SOUT | PLAO[5] |
| | P2.1 | GPIO | PWM0 _H | \overline{WS} | PLAO[6] |
| | P2.2 | GPIO | PWM0 _L | \overline{RS} | PLAO[7] |
| | P2.3 | GPIO | | AE | |
| | P2.4 | GPIO | PWM0 _H | MS0 | |
| | P2.5 | GPIO | PWM0 _L | MS1 | |
| | P2.6 | GPIO | PWM1 _H | MS2 | |
| | P2.7 | GPIO | PWM1 _L | MS3 | |
| 3 | P3.0 | GPIO | PWM0 _H | AD0 | PLAI[8] |
| | P3.1 | GPIO | PWM0 _L | AD1 | PLAI[9] |
| | P3.2 | GPIO | PWM1 _H | AD2 | PLAI[10] |
| | P3.3 | GPIO | PWM1 _L | AD3 | PLAI[11] |
| | P3.4 | GPIO | PWM2 _H | AD4 | PLAI[12] |
| | P3.5 | GPIO | PWM2 _L | AD5 | PLAI[13] |
| | P3.6 | GPIO | PWM _{TRIP} | AD6 | PLAI[14] |
| | P3.7 | GPIO | PWM _{SYNC} | AD7 | PLAI[15] |
| 4 | P4.0 | GPIO | | AD8 | PLAO[8] |
| | P4.1 | GPIO | | AD9 | PLAO[9] |
| | P4.2 | GPIO | | AD10 | PLAO[10] |
| | P4.3 | GPIO | | AD11 | PLAO[11] |
| | P4.4 | GPIO | | AD12 | PLAO[12] |
| | P4.5 | GPIO | | AD13 | PLAO[13] |
| | P4.6 | GPIO | | AD14 | PLAO[14] |
| | P4.7 | GPIO | | AD15 | PLAO[15] |

¹ When configured in Mode 1, P0.7 is ECLK by default, or core clock output. To configure it as a clock input, the MDCLK bits in PLLCON must be set to 11.

² The \overline{CONV}_{START} signal is active in all modes of P2.0.

Table 79. GPxCON Registers

| Name | Address | Default Value | Access |
|--------|------------|---------------|--------|
| GP0CON | 0xFFFFF400 | 0x00000000 | R/W |
| GP1CON | 0xFFFFF404 | 0x00000000 | R/W |
| GP2CON | 0xFFFFF408 | 0x00000000 | R/W |
| GP3CON | 0xFFFFF40C | 0x00000000 | R/W |
| GP4CON | 0xFFFFF410 | 0x00000000 | R/W |

GPxCON are the Port x control registers, which select the function of each pin of Port x as described in Table 80.

Table 80. GPxCON MMR Bit Descriptions

| Bit | Description |
|-------|----------------------------------|
| 31:30 | Reserved. |
| 29:28 | Select function of the Px.7 pin. |
| 27:26 | Reserved. |
| 25:24 | Select function of the Px.6 pin. |
| 23:22 | Reserved. |
| 21:20 | Select function of the Px.5 pin. |
| 19:18 | Reserved. |
| 17:16 | Select function of the Px.4 pin. |
| 15:14 | Reserved. |
| 13:12 | Select function of the Px.3 pin. |
| 11:10 | Reserved. |
| 9:8 | Select function of the Px.2 pin. |
| 7:6 | Reserved. |
| 5:4 | Select function of the Px.1 pin. |
| 3:2 | Reserved. |
| 1:0 | Select function of the Px.0 pin. |

Table 81. GPxPAR Registers

| Name | Address | Default Value | Access |
|--------|------------|---------------|--------|
| GP0PAR | 0xFFFFF42C | 0x20000000 | R/W |
| GP1PAR | 0xFFFFF43C | 0x00000000 | R/W |

GPxPAR program the parameters for Port 0 and Port 1. Note that the GPxDAT MMR must always be written after changing the GPxPAR MMR.

Table 82. GPxPAR MMR Bit Descriptions

| Bit | Description |
|-------|-----------------------|
| 31 | Reserved. |
| 30:29 | Drive strength Px.7. |
| 28 | Pull-Up Disable Px.7. |
| 27 | Reserved. |
| 26:25 | Drive strength Px.6. |
| 24 | Pull-Up Disable Px.6. |
| 23 | Reserved. |
| 22:21 | Drive strength Px.5. |
| 20 | Pull-Up Disable Px.5. |
| 19 | Reserved. |
| 18:17 | Drive strength Px.4. |
| 16 | Pull-Up Disable Px.4. |
| 15 | Reserved. |
| 14:13 | Drive strength Px.3. |
| 12 | Pull-Up Disable Px.3. |
| 11 | Reserved. |
| 10:9 | Drive strength Px.2. |
| 8 | Pull-Up Disable Px.2. |
| 7 | Reserved. |
| 6:5 | Drive strength Px.1. |
| 4 | Pull-Up Disable Px.1. |
| 3 | Reserved. |
| 2:1 | Drive strength Px.0. |
| 0 | Pull-Up Disable Px.0. |

Table 83. GPIO Drive Strength Control Bits Descriptions

| Control Bits Value | Description |
|--------------------|------------------------|
| 00 | Medium drive strength. |
| 01 | Low drive strength. |
| 1x | High drive strength. |

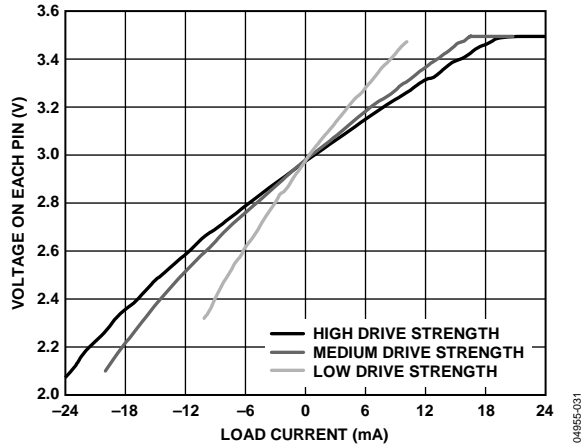


Figure 73. Programmable Strength for High Level (Typical Values)

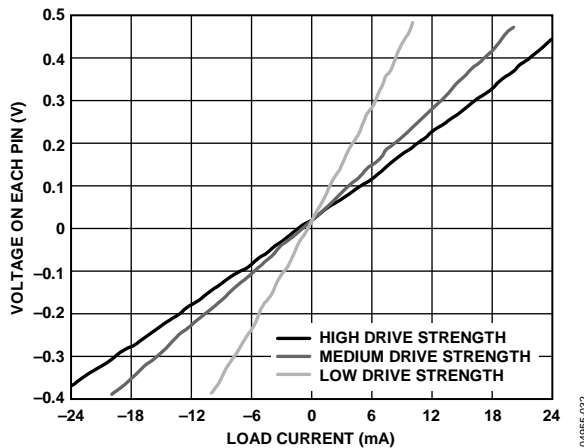


Figure 74. Programmable Strength for Low Level (Typical Values)

The drive strength bits can be written to one time only after reset. More writing to related bits has no effect on changing drive strength. The GPIO drive strength and pull-up disable is not always adjustable for the GPIO port. Some control bits cannot be changed (see Table 84).

Table 84. GPxPAR Control Bits Access Descriptions

| Bit | GP0PAR | GP1PAR |
|----------|----------|----------|
| 31 | Reserved | Reserved |
| 30 to 29 | R/W | R/W |
| 28 | R/W | R/W |
| 27 | Reserved | Reserved |
| 26 to 25 | R/W | R/W |
| 24 | R/W | R/W |
| 23 | Reserved | Reserved |
| 22 to 21 | R/W | R (b00) |
| 20 | R/W | R/W |
| 19 | Reserved | Reserved |
| 18 to 17 | R (b00) | R (b00) |
| 16 | R/W | R/W |
| 15 | Reserved | Reserved |
| 14 to 13 | R (b00) | R (b00) |
| 12 | R/W | R/W |
| 11 | Reserved | Reserved |
| 10 to 9 | R (b00) | R (b00) |
| 8 | R/W | R/W |
| 7 | Reserved | Reserved |
| 6 to 5 | R (b00) | R (b00) |
| 4 | R/W | R/W |
| 3 | Reserved | Reserved |
| 2 to 1 | R (b00) | R (b00) |
| 0 | R/W | R/W |

Table 85. GPxDAT Registers

| Name | Address | Default Value ¹ | Access |
|--------|------------|----------------------------|--------|
| GP0DAT | 0xFFFFF420 | 0x000000XX | R/W |
| GP1DAT | 0xFFFFF430 | 0x000000XX | R/W |
| GP2DAT | 0xFFFFF440 | 0x000000XX | R/W |
| GP3DAT | 0xFFFFF450 | 0x000000XX | R/W |
| GP4DAT | 0xFFFFF460 | 0x000000XX | R/W |

¹X = 0, 1, 2, or 3.

GPxDAT are Port x configuration and data registers. They configure the direction of the GPIO pins of Port x, set the output value for the pins configured as output, and store the input value of the pins configured as input.

Table 86. GPxDAT MMR Bit Descriptions

| Bit | Description |
|-------|---------------------------------------------------------------------------------------------------------------------------------------------|
| 31:24 | Direction of the data. Set to 1 by user to configure the GPIO pin as an output. Cleared to 0 by user to configure the GPIO pin as an input. |
| 23:16 | Port x data output. |
| 15:8 | Reflect the state of Port x pins at reset (read only). |
| 7:0 | Port x data input (read only). |

Table 87. GPxSET Registers

| Name | Address | Default Value ¹ | Access |
|--------|------------|----------------------------|--------|
| GP0SET | 0xFFFFF424 | 0x000000XX | W |
| GP1SET | 0xFFFFF434 | 0x000000XX | W |
| GP2SET | 0xFFFFF444 | 0x000000XX | W |
| GP3SET | 0xFFFFF454 | 0x000000XX | W |
| GP4SET | 0xFFFFF464 | 0x000000XX | W |

¹X = 0, 1, 2, or 3.

GPxSET are data set Port x registers.

Table 88. GPxSET MMR Bit Descriptions

| Bit | Description |
|-------|--------------------------------------------------------------------------------------------------------------------------------------------------------------------|
| 31:24 | Reserved. |
| 23:16 | Data Port x set bit. Set to 1 by user to set bit on Port x; also sets the corresponding bit in the GPxDAT MMR. Cleared to 0 by user; does not affect the data out. |
| 15:0 | Reserved. |

Table 89. GPxCLR Registers

| Name | Address | Default Value ¹ | Access |
|--------|------------|----------------------------|--------|
| GP0CLR | 0xFFFFF428 | 0x000000XX | W |
| GP1CLR | 0xFFFFF438 | 0x000000XX | W |
| GP2CLR | 0xFFFFF448 | 0x000000XX | W |
| GP3CLR | 0xFFFFF458 | 0x000000XX | W |
| GP4CLR | 0xFFFFF468 | 0x000000XX | W |

¹X = 0, 1, 2, or 3.

GPxCLR are data clear Port x registers.

Table 90. GPxCLR MMR Bit Descriptions

| Bit | Description |
|-------|--------------------------------------------------------------------------------------------------------------------------------------------------------------------------|
| 31:24 | Reserved. |
| 23:16 | Data Port x clear bit. Set to 1 by user to clear bit on Port x; also clears the corresponding bit in the GPxDAT MMR. Cleared to 0 by user; does not affect the data out. |
| 15:0 | Reserved. |

SERIAL PORT MUX

The serial port mux multiplexes the serial port peripherals (an SPI, UART, and two I²Cs) and the programmable logic array (PLA) to a set of 10 GPIO pins. Each pin must be configured to one of its specific I/O functions as described in Table 91.

Table 91. SPM Configuration

| SPMMUX | GPIO (00) | UART (01) | UART/I ² C/SPI (10) | PLA (11) |
|--------|-----------|-----------|--------------------------------|----------|
| SPM0 | P1.0 | SIN | I2C0SCL | PLAI[0] |
| SPM1 | P1.1 | SOUT | I2C0SDA | PLAI[1] |
| SPM2 | P1.2 | RTS | I2C1SCL | PLAI[2] |
| SPM3 | P1.3 | CTS | I2C1SDA | PLAI[3] |
| SPM4 | P1.4 | RI | SCLK | PLAI[4] |
| SPM5 | P1.5 | DCD | MISO | PLAI[5] |
| SPM6 | P1.6 | DSR | MOSI | PLAI[6] |
| SPM7 | P1.7 | DTR | \overline{CS} | PLAO[0] |
| SPM8 | P0.7 | ECLK/XCLK | SIN | PLAO[4] |
| SPM9 | P2.0 | CONV | SOUT | PLAO[5] |

Table 91 also details the mode for each of the SPMMUX pins. This configuration must be done via the GP0CON, GP1CON, and GP2CON MMRs. By default, these 10 pins are configured as GPIOs.

UART SERIAL INTERFACE

The UART peripheral is a full-duplex, universal, asynchronous receiver/transmitter. It is fully compatible with the 16,450 serial port standard. The UART performs serial-to-parallel conversions on data characters received from a peripheral device or modem, and parallel-to-serial conversions on data characters received from the CPU. The UART includes a fractional divider for baud rate generation and has a network addressable mode. The UART function is made available on the 10 pins of the ADuC7019/20/21/22/24/25/26/27/28/29 (see Table 92).

Table 92. UART Signal Description

| Pin | Signal | Description |
|---------------|--------|-----------------------|
| SPM0 (Mode 1) | SIN | Serial receive data. |
| SPM1 (Mode 1) | SOUT | Serial transmit data. |
| SPM2 (Mode 1) | RTS | Request to send. |
| SPM3 (Mode 1) | CTS | Clear to send. |
| SPM4 (Mode 1) | RI | Ring indicator. |
| SPM5 (Mode 1) | DCD | Data carrier detect. |
| SPM6 (Mode 1) | DSR | Data set ready. |
| SPM7 (Mode 1) | DTR | Data terminal ready. |
| SPM8 (Mode 2) | SIN | Serial receive data. |
| SPM9 (Mode 2) | SOUT | Serial transmit data. |

The serial communication adopts an asynchronous protocol, which supports various word lengths, stop bits, and parity generation options selectable in the configuration register.

Baud Rate Generation

There are two ways of generating the UART baud rate, normal 450 UART baud rate generation and the fractional divider.

Normal 450 UART Baud Rate Generation

The baud rate is a divided version of the core clock using the values in the COMDIV0 and COMDIV1 MMRs (16-bit value, DL).

$$\text{Baud Rate} = \frac{41.78\text{MHz}}{2^{\text{CD}} - 16 \times 2 \times \text{DL}}$$

Table 93 gives some common baud rate values.

Table 93. Baud Rate Using the Normal Baud Rate Generator

| Baud Rate | CD | DL | Actual Baud Rate | % Error |
|-----------|----|------|------------------|---------|
| 9600 | 0 | 0x88 | 9600 | 0 |
| 19,200 | 0 | 0x44 | 19,200 | 0 |
| 115,200 | 0 | 0x0B | 118,691 | 3 |
| 9600 | 3 | 0x11 | 9600 | 0 |
| 19,200 | 3 | 0x08 | 20,400 | 6.25 |
| 115,200 | 3 | 0x01 | 163,200 | 41.67 |

Fractional Divider

The fractional divider, combined with the normal baud rate generator, produces a wider range of more accurate baud rates.

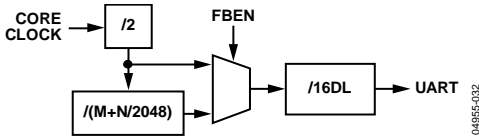


Figure 75. Baud Rate Generation Options

Calculation of the baud rate using fractional divider is as follows:

$$\text{Baud Rate} = \frac{41.78\text{ MHz}}{2^{\text{CD}} \times 16 \times \text{DL} \times 2 \times \left(M + \frac{N}{2048} \right)}$$

$$M + \frac{N}{2048} = \frac{41.78\text{ MHz}}{\text{Baud Rate} \times 2^{\text{CD}} \times 16 \times \text{DL} \times 2}$$

For example, generation of 19,200 baud with CD bits = 3 (Table 93 gives DL = 0x08) is

$$M + \frac{N}{2048} = \frac{41.78\text{ MHz}}{19200 \times 2^3 \times 16 \times 8 \times 2}$$

$$M + \frac{N}{2048} = 1.06$$

where:

$$M = 1$$

$$N = 0.06 \times 2048 = 128$$

$$\text{Baud Rate} = \frac{41.78\text{ MHz}}{2^3 \times 16 \times 8 \times 2 \times \frac{128}{2048}}$$

where:

$$\text{Baud Rate} = 19,200\text{ bps}$$

Error = 0%, compared to 6.25% with the normal baud rate generator.

UART Register Definitions

The UART interface consists of 12 registers: COMTX, COMRX, COMDIV0, COMIEN0, COMDIV1, COMIID0, COMCON0, COMCON1, COMSTA0, COMSTA1, COMSCR, and COMDIV2.

Table 94. COMTX Register

| Name | Address | Default Value | Access |
|-------|------------|---------------|--------|
| COMTX | 0xFFFF0700 | 0x00 | R/W |

COMTX is an 8-bit transmit register.

Table 95. COMRX Register

| Name | Address | Default Value | Access |
|-------|------------|---------------|--------|
| COMRX | 0xFFFF0700 | 0x00 | R |

COMRX is an 8-bit receive register.

Table 96. COMDIV0 Register

| Name | Address | Default Value | Access |
|---------|------------|---------------|--------|
| COMDIV0 | 0xFFFF0700 | 0x00 | R/W |

COMDIV0 is a low byte divisor latch. COMTX, COMRX, and COMDIV0 share the same address location. COMTX and COMRX can be accessed when Bit 7 in the COMCON0 register is cleared. COMDIV0 can be accessed when Bit 7 of COMCON0 is set.

Table 97. COMIEN0 Register

| Name | Address | Default Value | Access |
|---------|------------|---------------|--------|
| COMIEN0 | 0xFFFF0704 | 0x00 | R/W |

COMIEN0 is the interrupt enable register.

Table 98. COMIEN0 MMR Bit Descriptions

| Bit | Name | Description |
|-----|-------|--------------------------------------------------------------------------------------------------------------------------------------|
| 7:4 | N/A | Reserved. |
| 3 | EDSSI | Modem status interrupt enable bit. Set by user to enable generation of an interrupt if any of COMSTA1[3:1] is set. Cleared by user. |
| 2 | ELSI | Rx status interrupt enable bit. Set by user to enable generation of an interrupt if any of COMSTA0[4:1] is set. Cleared by user. |
| 1 | ETBEI | Enable transmit buffer empty interrupt. Set by user to enable interrupt when buffer is empty during a transmission. Cleared by user. |
| 0 | ERBFI | Enable receive buffer full interrupt. Set by user to enable interrupt when buffer is full during a reception. Cleared by user. |

Table 99. COMDIV1 Register

| Name | Address | Default Value | Access |
|---------|------------|---------------|--------|
| COMDIV1 | 0xFFFF0704 | 0x00 | R/W |

COMDIV1 is a divisor latch (high byte) register.

Table 100. COMIID0 Register

| Name | Address | Default Value | Access |
|---------|------------|---------------|--------|
| COMIID0 | 0xFFFF0708 | 0x01 | R |

COMIID0 is the interrupt identification register.

Table 101. COMIID0 MMR Bit Descriptions

| Bit 2:1 Status Bits | Bit 0 NINT | Priority | Definition | Clearing Operation |
|---------------------|------------|-------------|---------------------------------|-------------------------------------|
| 00 | 1 | N/A | No interrupt | N/A |
| 11 | 0 | 1 (Highest) | Receive line status interrupt | Read COMSTA0 |
| 10 | 0 | 2 | Receive buffer full interrupt | Read COMRX |
| 01 | 0 | 3 | Transmit buffer empty interrupt | Write data to COMTX or read COMIID0 |
| 00 | 0 | 4 (Lowest) | Modem status interrupt | Read COMSTA1 |

Table 102. COMCON0 Register

| Name | Address | Default Value | Access |
|---------|------------|---------------|--------|
| COMCON0 | 0xFFFF070C | 0x00 | R/W |

COMCON0 is the line control register.

Table 103. COMCON0 MMR Bit Descriptions

| Bit | Name | Description |
|-----|------|------------------------------------------------------------------------------------------------------------------------------------------------------------------------------------------------------------------------------------------------------------------------------------------------------------------------|
| 7 | DLAB | Divisor latch access. Set by user to enable access to the COMDIV0 and COMDIV1 registers. Cleared by user to disable access to COMDIV0 and COMDIV1 and enable access to COMRX and COMTX. |
| 6 | BRK | Set break. Set by user to force SOUT to 0. Cleared to operate in normal mode. |
| 5 | SP | Stick parity. Set by user to force parity to defined values: 1 if EPS = 1 and PEN = 1, 0 if EPS = 0 and PEN = 1. |
| 4 | EPS | Even parity select bit. Set for even parity. Cleared for odd parity. |
| 3 | PEN | Parity enable bit. Set by user to transmit and check the parity bit. Cleared by user for no parity transmission or checking. |
| 2 | STOP | Stop bit. Set by user to transmit 1.5 stop bits if the word length is five bits or 2 stop bits if the word length is six bits, seven bits, or eight bits. The receiver checks the first stop bit only, regardless of the number of stop bits selected. Cleared by user to generate 1 stop bit in the transmitted data. |
| 1:0 | WLS | Word length select: 00 = five bits, 01 = six bits, 10 = seven bits, 11 = eight bits. |

Table 104. COMCON1 Register

| Name | Address | Default Value | Access |
|---------|------------|---------------|--------|
| COMCON1 | 0xFFFF0710 | 0x00 | R/W |

COMCON1 is the modem control register.

Table 105. COMCON1 MMR Bit Descriptions

| Bit | Name | Description |
|-----|----------|-------------------------------------------------------------------------------------------------------------------------------------------------------------------------------------------------------------------------------------------------------------------------------------------------------------------------|
| 7:5 | | Reserved. |
| 4 | LOOPBACK | Loopback. Set by user to enable loopback mode. In loopback mode, SOUT (see Table 78) is forced high. The modem signals are also directly connected to the status inputs (RTS to CTS and DTR to DSR). Cleared by user to be in normal mode. |
| 3 | PEN | Parity enable bit. Set by user to transmit and check the parity bit. Cleared by user for no parity transmission or checking. |
| 2 | STOP | Stop bit. Set by user to transmit 1.5 stop bits if the word length is five bits, or 2 stop bits if the word length is six bits, seven bits, or eight bits. The receiver checks the first stop bit only, regardless of the number of stop bits selected. Cleared by user to generate 1 stop bit in the transmitted data. |
| 1 | RTS | Request to send. Set by user to force the RTS output to 0. Cleared by user to force the RTS output to 1. |
| 0 | DTR | Data terminal ready. Set by user to force the DTR output to 0. Cleared by user to force the DTR output to 1. |

Table 106. COMSTA0 Register

| Name | Address | Default Value | Access |
|---------|------------|---------------|--------|
| COMSTA0 | 0xFFFF0714 | 0x60 | R |

COMSTA0 is the line status register.

Table 107. COMSTA0 MMR Bit Descriptions

| Bit | Name | Description |
|-----|------|--------------------------------------------------------------------------------------------------------------------------------------------------|
| 7 | | Reserved. |
| 6 | TEMT | COMTX and shift register empty status bit. Set automatically if COMTX and shift register are empty. Cleared automatically when writing to COMTX. |
| 5 | THRE | COMTX empty. Set automatically if COMTX is empty. Cleared automatically when writing to COMTX. |
| 4 | BI | Break error. Set when SIN is held low for more than the maximum word length. Cleared automatically. |
| 3 | FE | Framing error. Set when an invalid stop bit occurs. Cleared automatically. |
| 2 | PE | Parity error. Set when a parity error occurs. Cleared automatically. |
| 1 | OE | Overrun error. Set automatically if data is overwritten before being read. Cleared automatically. |
| 0 | DR | Data ready. Set automatically when COMRX is full. Cleared by reading COMRX. |

Table 108. COMSTA1 Register

| Name | Address | Default Value | Access |
|---------|------------|---------------|--------|
| COMSTA1 | 0xFFFF0718 | 0x00 | R |

COMSTA1 is a modem status register.

Table 109. COMSTA1 MMR Bit Descriptions

| Bit | Name | Description |
|-----|------|--------------------------------------------------------------------------------------------------------------------------|
| 7 | DCD | Data carrier detect. |
| 6 | RI | Ring indicator. |
| 5 | DSR | Data set ready. |
| 4 | CTS | Clear to send. |
| 3 | DDCD | Delta DCD. Set automatically if DCD changed state since last COMSTA1 read. Cleared automatically by reading COMSTA1. |
| 2 | TERI | Trailing edge RI. Set if RI changed from 0 to 1 since COMSTA1 was last read. Cleared automatically by reading COMSTA1. |
| 1 | DDSR | Delta DSR. Set automatically if DSR changed state since COMSTA1 was last read. Cleared automatically by reading COMSTA1. |
| 0 | DCTS | Delta CTS. Set automatically if CTS changed state since COMSTA1 was last read. Cleared automatically by reading COMSTA1. |

Table 110. COMSCR Register

| Name | Address | Default Value | Access |
|--------|------------|---------------|--------|
| COMSCR | 0xFFFF071C | 0x00 | R/W |

COMSCR is an 8-bit scratch register used for temporary storage. It is also used in network addressable UART mode.

Table 111. COMDIV2 Register

| Name | Address | Default Value | Access |
|---------|------------|---------------|--------|
| COMDIV2 | 0xFFFF072C | 0x0000 | R/W |

COMDIV2 is a 16-bit fractional baud divide register.

Table 112. COMDIV2 MMR Bit Descriptions

| Bit | Name | Description |
|-------|-----------|---------------------------------------------------------------------------------------------------------------------------------------------------------------------------------------------|
| 15 | FBEN | Fractional baud rate generator enable bit. Set by user to enable the fractional baud rate generator. Cleared by user to generate baud rate using the standard 450 UART baud rate generator. |
| 14:13 | | Reserved. |
| 12:11 | FBM[1:0] | M if FBM = 0, M = 4 (see the Fractional Divider section). |
| 10:0 | FBN[10:0] | N (see the Fractional Divider section). |

Network Addressable UART Mode

This mode connects the MicroConverter to a 256-node serial network, either as a hardware single master or via software in a multimaster network. Bit 7 (ENAM) of the COMIEN1 register must be set to enable UART in network addressable mode (see Table 114). Note that there is no parity check in this mode.

Network Addressable UART Register Definitions

Four additional registers, COMIEN0, COMIEN1, COMIID1, and COMADR are used in network addressable UART mode only.

In network address mode, the least significant bit of the COMIEN1 register is the transmitted network address control bit. If set to 1, the device is transmitting an address. If cleared to 0, the device is transmitting data. For example, the following master-based code transmits the slave's address followed by the data:

```
COMIEN1 = 0xE7;           //Setting ENAM,
E9BT, E9BR, ETD, NABP

COMTX = 0xA0; // Slave address is 0xA0
while(!(0x02==(COMSTA0 & 0x02))){} //
wait for adr tx to finish.

COMIEN1 = 0xE6;           // Clear NAB bit
to indicate Data is coming

COMTX = 0x55; // Tx data to slave: 0x55
```

Table 113. COMIEN1 Register

| Name | Address | Default Value | Access |
|---------|------------|---------------|--------|
| COMIEN1 | 0xFFFF0720 | 0x04 | R/W |

COMIEN1 is an 8-bit network enable register.

Table 114. COMIEN1 MMR Bit Descriptions

| Bit | Name | Description |
|-----|------|---------------------------------------------------------------------------------------------------------------------------------------------------------|
| 7 | ENAM | Network address mode enable bit. Set by user to enable network address mode. Cleared by user to disable network address mode. |
| 6 | E9BT | 9-bit transmit enable bit. Set by user to enable 9-bit transmit. ENAM must be set. Cleared by user to disable 9-bit transmit. |
| 5 | E9BR | 9-bit receive enable bit. Set by user to enable 9-bit receive. ENAM must be set. Cleared by user to disable 9-bit receive. |
| 4 | ENI | Network interrupt enable bit. |
| 3 | E9BD | Word length. Set for 9-bit data. E9BT has to be cleared. Cleared for 8-bit data. |
| 2 | ETD | Transmitter pin driver enable bit. Set by user to enable SOUT pin as an output in slave mode or multimaster mode. Cleared by user; SOUT is three-state. |
| 1 | NABP | Network address bit. Interrupt polarity bit. |
| 0 | NAB | Network address bit (if NABP = 1). Set by user to transmit the slave address. Cleared by user to transmit data. |

Table 115. COMIID1 Register

| Name | Address | Default Value | Access |
|---------|------------|---------------|--------|
| COMIID1 | 0xFFFF0724 | 0x01 | R |

COMIID1 is an 8-bit network interrupt register. Bit 7 to Bit 4 are reserved (see Table 116).

Table 116. COMIID1 MMR Bit Descriptions

| Bit 3:1 Status Bits | Bit 0 NINT | Priority | Definition | Clearing Operation |
|---------------------|------------|----------|-----------------------------------|-------------------------------------|
| 000 | 1 | | No interrupt | |
| 110 | 0 | 2 | Matching network address | Read COMRX |
| 101 | 0 | 3 | Address transmitted, buffer empty | Write data to COMTX or read COMIID0 |
| 011 | 0 | 1 | Receive line status interrupt | Read COMSTA0 |
| 010 | 0 | 2 | Receive buffer full interrupt | Read COMRX |
| 001 | 0 | 3 | Transmit buffer empty interrupt | Write data to COMTX or read COMIID0 |
| 000 | 0 | 4 | Modem status interrupt | Read COMSTA1 |

Note that to receive a network address interrupt, the slave must ensure that Bit 0 of COMIEN0 (enable receive buffer full interrupt) is set to 1.

Table 117. COMADR Register

| Name | Address | Default Value | Access |
|--------|------------|---------------|--------|
| COMADR | 0xFFFF0728 | 0xAA | R/W |

COMADR is an 8-bit, read/write network address register that holds the address checked for by the network addressable UART. Upon receiving this address, the device interrupts the processor and/or sets the appropriate status bit in COMIID1.

SERIAL PERIPHERAL INTERFACE

The ADuC7019/20/21/22/24/25/26/27/28/29 integrate a complete hardware serial peripheral interface (SPI) on-chip. SPI is an industry standard, synchronous serial interface that allows eight bits of data to be synchronously transmitted and simultaneously received, that is, full duplex up to a maximum bit rate of 3.48 Mb, as shown in Table 118. The SPI interface is not operational with core clock divider (CD) bits. POWCON[2:0] = 6 or 7 in master mode.

The SPI port can be configured for master or slave operation, and typically consists of four pins: MISO (P1.5), MOSI (P1.6), SCLK (P1.4), and CS (P1.7).

On the transmit side, the SPITX register (and a TX shift register outside it) loads data onto the transmit pin (in slave mode, MISO; in master mode, MOSI). The transmit status bit, Bit 0, in SPISTA indicates whether there is valid data in the SPITX register.

Similarly, the receive data path consists of the SPIRX register (and an RX shift register). SPISTA, Bit 3 indicates whether there is valid data in the SPIRX register. If valid data in the SPIRX register is overwritten or if valid data in the RX shift register is discarded, SPISTA, Bit 5 (the overflow bit) is set.

MISO (Master In, Slave Out) Pin

The MISO pin is configured as an input line in master mode and an output line in slave mode. The MISO line on the master (data in) should be connected to the MISO line in the slave device (data out). The data is transferred as byte wide (8-bit) serial data, MSB first.

MOSI (Master Out, Slave In) Pin

The MOSI pin is configured as an output line in master mode and an input line in slave mode. The MOSI line on the master (data out) should be connected to the MOSI line in the slave device (data in). The data is transferred as byte wide (8-bit) serial data, MSB first.

SCLK (Serial Clock I/O) Pin

The master serial clock (SCLK) is used to synchronize the data being transmitted and received through the MOSI SCLK period. Therefore, a byte is transmitted/received after eight SCLK periods. The SCLK pin is configured as an output in master mode and as an input in slave mode.

In master mode, the polarity and phase of the clock are controlled by the SPICON register, and the bit rate is defined in the SPIDIV register as follows:

$$f_{SERIAL\ CLOCK} = \frac{f_{UCLK}}{2 \times (1 + SPIDIV)}$$

The maximum speed of the SPI clock is dependent on the clock divider bits and is summarized in Table 118.

Table 118. SPI Speed vs. Clock Divider Bits in Master Mode

| CD Bits | 0 | 1 | 2 | 3 | 4 | 5 |
|------------------|-------|-------|-------|-------|-------|-------|
| SPIDIV in Hex | 0x05 | 0x0B | 0x17 | 0x2F | 0x5F | 0xBF |
| SPI speed in MHz | 3.482 | 1.741 | 0.870 | 0.435 | 0.218 | 0.109 |

In slave mode, the SPICON register must be configured with the phase and polarity of the expected input clock. The slave accepts data from an external master up to 10.4 Mb at CD = 0. The formula to determine the maximum speed is as follows:

$$f_{SERIAL\ CLOCK} = \frac{f_{HCLK}}{4}$$

In both master and slave modes, data is transmitted on one edge of the SCL signal and sampled on the other. Therefore, it is important that the polarity and phase be configured the same for the master and slave devices.

Chip Select (CS Input) Pin

In SPI slave mode, a transfer is initiated by the assertion of CS, which is an active low input signal. The SPI port then transmits and receives 8-bit data until the transfer is concluded by deassertion of CS. In slave mode, CS is always an input.

SPI Registers

The following MMR registers are used to control the SPI interface: SPISTA, SPIRX, SPITX, SPIDIV, and SPICON.

Table 119. SPISTA Register

| Name | Address | Default Value | Access |
|--------|------------|---------------|--------|
| SPISTA | 0xFFFF0A00 | 0x00 | R |

SPISTA is an 8-bit read-only status register. Only Bit 1 or Bit 4 of this register generates an interrupt. Bit 6 of the SPICON register determines which bit generates the interrupt.

Table 120. SPISTA MMR Bit Descriptions

| Bit | Description |
|-----|-----------------------------------------------------------------------------------------------------------------------------------------------------------------------|
| 7:6 | Reserved. |
| 5 | SPIRX data register overflow status bit. Set if SPIRX is overflowing. Cleared by reading the SPIRX register. |
| 4 | SPIRX data register IRQ. Set automatically if Bit 3 or Bit 5 is set. Cleared by reading the SPIRX register. |
| 3 | SPIRX data register full status bit. Set automatically if a valid data is present in the SPIRX register. Cleared by reading the SPIRX register. |
| 2 | SPITX data register underflow status bit. Set automatically if SPITX is underflowing. Cleared by writing in the SPITX register. |
| 1 | SPITX data register IRQ. Set automatically if Bit 0 is clear or Bit 2 is set. Cleared by writing in the SPITX register or if finished transmission disabling the SPI. |
| 0 | SPITX data register empty status bit. Set by writing to SPITX to send data. This bit is set during transmission of data. Cleared when SPITX is empty. |

Table 125. SPICON MMR Bit Descriptions

| Bit | Description | Function |
|-------|---------------------------------|------------------------------------------------------------------------------------------------------------------------------------------------------------------------------------------------------------------------------------------------------------------------------------------------------------------------------------------------------------------------------------------------------------------------------------------------------------------------|
| 15:13 | Reserved | N/A |
| 12 | Continuous transfer enable | Set by user to enable continuous transfer. In master mode, the transfer continues until no valid data is available in the TX register. \overline{CS} is asserted and remains asserted for the duration of each 8-bit serial transfer until TX is empty. Cleared by user to disable continuous transfer. Each transfer consists of a single 8-bit serial transfer. If valid data exists in the SPITX register, then a new transfer is initiated after a stall period. |
| 11 | Loop back enable | Set by user to connect MISO to MOSI and test software. Cleared by user to be in normal mode. |
| 10 | Slave MISO output enable | Set this bit to disable the output driver on the MISO pin. The MISO pin becomes open drain when this bit is set. Clear this bit for MISO to operate as normal. |
| 9 | Clip select output enable | Set by user in master mode to disable the chip select output. Cleared by user to enable the chip select output. P1.7 should be configured as \overline{CS} before SPICON is configured as a master when the chip select output enabled is also selected. |
| 8 | SPIRX overflow overwrite enable | Set by user, the valid data in the RX register is overwritten by the new serial byte received. Cleared by user, the new serial byte received is discarded. |
| 7 | SPITX underflow mode | Set by user to transmit 0. Cleared by user to transmit the previous data. |
| 6 | Transfer and interrupt mode | Set by user to initiate transfer with a write to the SPITX register. Interrupt occurs only when TX is empty. Cleared by user to initiate transfer with a read of the SPIRX register. Interrupt occurs only when RX is full. |
| 5 | LSB first transfer enable bit | Set by user, the LSB is transmitted first. Cleared by user, the MSB is transmitted first. |
| 4 | Reserved | |
| 3 | Serial clock polarity mode bit | Set by user, the serial clock idles high. Cleared by user, the serial clock idles low. |
| 2 | Serial clock phase mode bit | Set by user, the serial clock pulses at the beginning of each serial bit transfer. Cleared by user, the serial clock pulses at the end of each serial bit transfer. |
| 1 | Master mode enable bit | Set by user to enable master mode. Cleared by user to enable slave mode. |
| 0 | SPI enable bit | Set by user to enable the SPI. Cleared by user to disable the SPI. |

Table 121. SPIRX Register

| Name | Address | Default Value | Access |
|-------|------------|---------------|--------|
| SPIRX | 0xFFFF0A04 | 0x00 | R |

SPIRX is an 8-bit, read-only receive register.

Table 122. SPITX Register

| Name | Address | Default Value | Access |
|-------|------------|---------------|--------|
| SPITX | 0xFFFF0A08 | 0x00 | W |

SPITX is an 8-bit, write-only transmit register.

Table 123. SPIDIV Register

| Name | Address | Default Value | Access |
|--------|------------|---------------|--------|
| SPIDIV | 0xFFFF0A0C | 0x1B | R/W |

SPIDIV is an 8-bit, serial clock divider register.

Table 124. SPICON Register

| Name | Address | Default Value | Access |
|--------|------------|---------------|--------|
| SPICON | 0xFFFF0A10 | 0x0000 | R/W |

SPICON is a 16-bit control register.

I²C-COMPATIBLE INTERFACES

The ADuC7019/20/21/22/24/25/26/27/28/29 support two licensed I²C interfaces. The I²C interfaces are both implemented as a hardware master and a full slave interface. Because the two I²C interfaces are identical, this data sheet describes only I2C0 in detail. Note that the two masters and one of the slaves have individual interrupts (see the Interrupt System section).

Note that when configured as an I²C master device, the ADuC7019/20/21/22/24/25/26/27/28/29 cannot generate a repeated start condition.

The two GPIO pins used for data transfer, SDAx and SCLx, are configured in a wired-AND format that allows arbitration in a multimaster system. These pins require external pull-up resistors. Typical pull-up values are 10 kΩ.

The I²C bus peripheral address in the I²C bus system is programmed by the user. This ID can be modified any time a transfer is not in progress. The user can configure the interface to respond to four slave addresses.

The transfer sequence of an I²C system consists of a master device initiating a transfer by generating a start condition while the bus is idle. The master transmits the slave device address and the direction of the data transfer during the initial address transfer. If the master does not lose arbitration and the slave acknowledges, the data transfer is initiated. This continues until the master issues a stop condition and the bus becomes idle.

The I²C peripheral can be configured only as a master or slave at any given time. The same I²C channel cannot simultaneously support master and slave modes.

Serial Clock Generation

The I²C master in the system generates the serial clock for a transfer. The master channel can be configured to operate in fast mode (400 kHz) or standard mode (100 kHz).

The bit rate is defined in the I2C0DIV MMR as follows:

$$f_{SERIAL\ CLOCK} = \frac{f_{UCLK}}{(2 + DIVH) + (2 + DIVL)}$$

where:

f_{UCLK} = clock before the clock divider.

$DIVH$ = the high period of the clock.

$DIVL$ = the low period of the clock.

Thus, for 100 kHz operation,

$$DIVH = DIVL = 0xCF$$

and for 400 kHz,

$$DIVH = 0x28, DIVL = 0x3C$$

The I2CxDIV registers correspond to DIVH:DIVL.

Slave Addresses

The registers I2C0ID0, I2C0ID1, I2C0ID2, and I2C0ID3 contain the device IDs. The device compares the four I2C0IDx registers to the address byte. To be correctly addressed, the seven MSBs of either ID register must be identical to that of the seven MSBs of the first received address byte. The LSB of the ID registers (the transfer direction bit) is ignored in the process of address recognition.

I²C Registers

The I²C peripheral interface consists of 18 MMRs, which are discussed in this section.

Table 126. I2CxMSTA Registers

| Name | Address | Default Value | Access |
|----------|------------|---------------|--------|
| I2COMSTA | 0xFFFF0800 | 0x00 | R/W |
| I2C1MSTA | 0xFFFF0900 | 0x00 | R/W |

I2CxMSTA are status registers for the master channel.

Table 127. I2C0MSTA MMR Bit Descriptions

| Bit | Access Type | Description |
|-----|-------------|-------------------------------------------------------------------------------------------------------------------------------------------------------------------------------|
| 7 | R/W | Master transmit FIFO flush. Set by user to flush the master Tx FIFO. Cleared automatically after the master Tx FIFO is flushed. This bit also flushes the slave receive FIFO. |
| 6 | R | Master busy. Set automatically if the master is busy. Cleared automatically. |
| 5 | R | Arbitration loss. Set in multimaster mode if another master has the bus. Cleared when the bus becomes available. |
| 4 | R | No ACK. Set automatically if there is no acknowledge of the address by the slave device. Cleared automatically by reading the I2COMSTA register. |
| 3 | R | Master receive IRQ. Set after receiving data. Cleared automatically by reading the I2COMRX register. |
| 2 | R | Master transmit IRQ. Set at the end of a transmission. Cleared automatically by writing to the I2COMTX register. |
| 1 | R | Master transmit FIFO underflow. Set automatically if the master transmit FIFO is underflowing. Cleared automatically by writing to the I2COMTX register. |
| 0 | R | Master TX FIFO not full. Set automatically if the slave transmit FIFO is not full. Cleared automatically by writing twice to the I2COSTX register. |

Table 128. I2CxSSTA Registers

| Name | Address | Default Value | Access |
|----------|------------|---------------|--------|
| I2COSSTA | 0xFFFF0804 | 0x01 | R |
| I2C1SSTA | 0xFFFF0904 | 0x01 | R |

I2CxSSTA are status registers for the slave channel.

Table 129. I2C0SSTA MMR Bit Descriptions

| Bit | Value | Description |
|-------|-------|-----------------------------------------------------------------------------------------------------------------------------------------------------------------------------------------------------------------------------------------------------------------------------------------------------------------------------------------------------------------------------------------------------------------------------------------------------------------------------------------------------------|
| 31:15 | | Reserved. These bits should be written as 0. |
| 14 | | Start decode bit. Set by hardware if the device receives a valid start plus matching address. Cleared by an I ² C stop condition or an I ² C general call reset. |
| 13 | | Repeated start decode bit. Set by hardware if the device receives a valid repeated start and matching address. Cleared by an I ² C stop condition, a read of the I2CSSTA register, or an I ² C general call reset. |
| 12:11 | | ID decode bits. |
| | 00 | Received Address Matched ID Register 0. |
| | 01 | Received Address Matched ID Register 1. |
| | 10 | Received Address Matched ID Register 2. |
| | 11 | Received Address Matched ID Register 3. |
| 10 | | Stop after start and matching address interrupt. Set by hardware if the slave device receives an I ² C stop condition after a previous I ² C start condition and matching address. Cleared by a read of the I2C0SSTA register. |
| 9:8 | | General call ID. |
| | 00 | No general call. |
| | 01 | General call reset and program address. |
| | 10 | General call program address. |
| | 11 | General call matching alternative ID. |
| 7 | | General call interrupt. Set if the slave device receives a general call of any type. Cleared by setting Bit 8 of the I2CxCFG register. If it is a general call reset, all registers are at their default values. If it is a hardware general call, the Rx FIFO holds the second byte of the general call. This is similar to the I2C0ALT register (unless it is a general call to reprogram the device address). For more details, see the I ² C bus specification, Version 2.1, January 2000. |
| 6 | | Slave busy. Set automatically if the slave is busy. Cleared automatically. |
| 5 | | No ACK. Set if master asking for data and no data is available. Cleared automatically by reading the I2C0SSTA register. |
| 4 | | Slave receive FIFO overflow. Set automatically if the slave receive FIFO is overflowing. Cleared automatically by reading the I2C0SSTA register. |
| 3 | | Slave receive IRQ. Set after receiving data. Cleared automatically by reading the I2C0SRX register or flushing the FIFO. |
| 2 | | Slave transmit IRQ. Set at the end of a transmission. Cleared automatically by writing to the I2C0STX register. |
| 1 | | Slave transmit FIFO underflow. Set automatically if the slave transmit FIFO is underflowing. Cleared automatically by writing to the I2C0SSTA register. |
| 0 | | Slave transmit FIFO not full. Set automatically if the slave transmit FIFO is not full. Cleared automatically by writing twice to the I2C0STX register. |

Table 130. I2CxSRX Registers

| Name | Address | Default Value | Access |
|---------|------------|---------------|--------|
| I2C0SRX | 0xFFFF0808 | 0x00 | R |
| I2C1SRX | 0xFFFF0908 | 0x00 | R |

I2CxSRX are receive registers for the slave channel.

Table 131. I2CxSTX Registers

| Name | Address | Default Value | Access |
|---------|------------|---------------|--------|
| I2C0STX | 0xFFFF080C | 0x00 | W |
| I2C1STX | 0xFFFF090C | 0x00 | W |

I2CxSTX are transmit registers for the slave channel.

Table 132. I2CxMRX Registers

| Name | Address | Default Value | Access |
|---------|------------|---------------|--------|
| I2C0MRX | 0xFFFF0810 | 0x00 | R |
| I2C1MRX | 0xFFFF0910 | 0x00 | R |

I2CxMRX are receive registers for the master channel.

Table 133. I2CxMTX Registers

| Name | Address | Default Value | Access |
|---------|------------|---------------|--------|
| I2C0MTX | 0xFFFF0814 | 0x00 | W |
| I2C1MTX | 0xFFFF0914 | 0x00 | W |

I2CxMTX are transmit registers for the master channel.

Table 134. I2CxCNT Registers

| Name | Address | Default Value | Access |
|---------|------------|---------------|--------|
| I2C0CNT | 0xFFFF0818 | 0x00 | R/W |
| I2C1CNT | 0xFFFF0918 | 0x00 | R/W |

I2CxCNT are 3-bit, master receive, data count registers. If a master read transfer sequence is initiated, the I2CxCNT registers denote the number of bytes (–1) to be read from the slave device. By default, this counter is 0, which corresponds to the one byte expected.

Table 135. I2CxADR Registers

| Name | Address | Default Value | Access |
|---------|------------|---------------|--------|
| I2C0ADR | 0xFFFF081C | 0x00 | R/W |
| I2C1ADR | 0xFFFF091C | 0x00 | R/W |

I2CxADR are master address byte registers. The I2CxADR value is the device address that the master wants to communicate with. It automatically transmits at the start of a master transfer sequence if there is no valid data in the I2CxMTX register when the master enable bit is set.

Table 136. I2CxBYTE Registers

| Name | Address | Default Value | Access |
|----------|------------|---------------|--------|
| I2C0BYTE | 0xFFFF0824 | 0x00 | R/W |
| I2C1BYTE | 0xFFFF0924 | 0x00 | R/W |

I2CxBYTE are broadcast byte registers. Data written to these registers does not go through the TxFIFO. This data is transmitted at the start of a transfer sequence before the address. After the byte is transmitted and acknowledged, the I²C expects another byte written in I2CxBYTE or an address written to the address register.

Table 137. I2CxALT Registers

| Name | Address | Default Value | Access |
|---------|------------|---------------|--------|
| I2C0ALT | 0xFFFF0828 | 0x00 | R/W |
| I2C1ALT | 0xFFFF0928 | 0x00 | R/W |

I2CxALT are hardware general call ID registers used in slave mode.

Table 138. I2CxCFG Registers

| Name | Address | Default Value | Access |
|---------|------------|---------------|--------|
| I2C0CFG | 0xFFFF082C | 0x00 | R/W |
| I2C1CFG | 0xFFFF092C | 0x00 | R/W |

I2CxCFG are configuration registers.

Table 139. I2C0CFG MMR Bit Descriptions

| Bit | Description |
|------|-------------------------------------------------------------------------------------------------------------------------------------------------------------------------------------------------------------------------------------------------------------------------------------------------------------------------------------------------------------------------------------------------------------------------------------------------------------------------------------------------------------------------------------------------------------------------------------------------------------------------------------------------------------------------------------------------------------------------------------------------------------------------------------------------------------------------------------------------------------------------------------------------------------------------|
| 31:5 | Reserved. These bits should be written by the user as 0. |
| 14 | Enable stop interrupt. Set by the user to generate an interrupt upon receiving a stop condition and after receiving a valid start condition and matching address. Cleared by the user to disable the generation of an interrupt upon receiving a stop condition. |
| 13 | Reserved. |
| 12 | Reserved. |
| 11 | Enable stretch SCL (holds SCL low). Set by the user to stretch the SCL line. Cleared by the user to disable stretching of the SCL line. |
| 10 | Reserved. |
| 9 | Slave Tx FIFO request interrupt enable. Set by the user to disable the slave Tx FIFO request interrupt. Cleared by the user to generate an interrupt request just after the negative edge of the clock for the R/W bit. This allows the user to input data into the slave Tx FIFO if it is empty. At 400 kSPs and the core clock running at 41.78 MHz, the user has 45 clock cycles to take appropriate action, taking interrupt latency into account. |
| 8 | General call status bit clear. Set by the user to clear the general call status bits. Cleared automatically by hardware after the general call status bits are cleared. |
| 7 | Master serial clock enable bit. Set by user to enable generation of the serial clock in master mode. Cleared by user to disable serial clock in master mode. |
| 6 | Loopback enable bit. Set by user to internally connect the transition to the reception to test user software. Cleared by user to operate in normal mode. |
| 5 | Start backoff disable bit. Set by user in multimaster mode. If losing arbitration, the master immediately tries to retransmit. Cleared by user to enable start backoff. After losing arbitration, the master waits before trying to retransmit. |
| 4 | Hardware general call enable. When this bit and Bit 3 are set and have received a general call (Address 0x00) and a data byte, the device checks the contents of I2C0ALT against the receive register. If the contents match, the device has received a hardware general call. This is used if a device needs urgent attention from a master device without knowing which master it needs to turn to. This is a "to whom it may concern" call. The ADuC7019/20/21/22/24/25/26/27/28/29 watch for these addresses. The device that requires attention embeds its own address into the message. All masters listen, and the one that can handle the device contacts its slave and acts appropriately. The LSB of the I2C0ALT register should always be written to 1, as indicated in <i>The I²C-Bus Specification</i> , January 2000, from NXP. |
| 3 | General call enable bit. This bit is set by the user to enable the slave device to acknowledge (ACK) an I ² C general call, Address 0x00 (write). The device then recognizes a data bit. If it receives a 0x06 (reset and write programmable part of slave address by hardware) as the data byte, the I ² C interface resets as indicated in <i>The I²C-Bus Specification</i> , January 2000, from NXP. This command can be used to reset an entire I ² C system. The general call interrupt status bit sets on any general call. The user must take corrective action by setting up the I ² C interface after a reset. If it receives a 0x04 (write programmable part of slave address by hardware) as the data byte, the general call interrupt status bit sets on any general call. The user must take corrective action by reprogramming the device address. |
| 2 | Reserved. |
| 1 | Master enable bit. Set by user to enable the master I ² C channel. Cleared by user to disable the master I ² C channel. |
| 0 | Slave enable bit. Set by user to enable the slave I ² C channel. A slave transfer sequence is monitored for the device address in I2C0ID0, I2C0ID1, I2C0ID2, and I2C0ID3. At 400 kSPs, the core clock should run at 41.78 MHz because the interrupt latency could be up to 45 clock cycles alone. After the I ² C read bit, the user has 0.5 of an I ² C clock cycle to load the Tx FIFO. AT 400 kSPS, this is 1.26 μ s, the interrupt latency. |

Table 140. I2CxDIV Registers

| Name | Address | Default Value | Access |
|---------|------------|---------------|--------|
| I2C0DIV | 0xFFFF0830 | 0x1F1F | R/W |
| I2C1DIV | 0xFFFF0930 | 0x1F1F | R/W |

I2CxDIV are the clock divider registers.

Table 141. I2CxIDx Registers

| Name | Address | Default Value | Access |
|---------|------------|---------------|--------|
| I2C0ID0 | 0xFFFF0838 | 0x00 | R/W |
| I2C0ID1 | 0xFFFF083C | 0x00 | R/W |
| I2C0ID2 | 0xFFFF0840 | 0x00 | R/W |
| I2C0ID3 | 0xFFFF0844 | 0x00 | R/W |
| I2C1ID0 | 0xFFFF0938 | 0x00 | R/W |
| I2C1ID1 | 0xFFFF093C | 0x00 | R/W |
| I2C1ID2 | 0xFFFF0940 | 0x00 | R/W |
| I2C1ID3 | 0xFFFF0944 | 0x00 | R/W |

I2CxID0, I2CxID1, I2CxID2, and I2CxID3 are slave address device ID registers of I2Cx.

Table 142. I2CxCCNT Registers

| Name | Address | Default Value | Access |
|----------|------------|---------------|--------|
| I2C0CCNT | 0xFFFF0848 | 0x01 | R/W |
| I2C1CCNT | 0xFFFF0948 | 0x01 | R/W |

I2CxCCNT are 8-bit start/stop generation counters. They hold off SDA low for start and stop conditions.

Table 143. I2CxFSTA Registers

| Name | Address | Default Value | Access |
|----------|------------|---------------|--------|
| I2C0FSTA | 0xFFFF084C | 0x0000 | R/W |
| I2C1FSTA | 0xFFFF094C | 0x0000 | R/W |

I2CxFSTA are FIFO status registers.

Table 144. I2C0FSTA MMR Bit Descriptions

| Bit | Access Type | Value | Description |
|-------|-------------|-------|----------------------------------------------------------------------------------------------------------------------------------------------------------------------------------|
| 15:10 | | | Reserved. |
| 9 | R/W | | Master transmit FIFO flush. Set by the user to flush the master Tx FIFO. Cleared automatically when the master Tx FIFO is flushed. This bit also flushes the slave receive FIFO. |
| 8 | R/W | | Slave transmit FIFO flush. Set by the user to flush the slave Tx FIFO. Cleared automatically after the slave Tx FIFO is flushed. |
| 7:6 | R | 00 | Master Rx FIFO status bits. FIFO empty. |
| | | 01 | Byte written to FIFO. |
| | | 10 | One byte in FIFO. |
| | | 11 | FIFO full. |
| 5:4 | R | 00 | Master Tx FIFO status bits. FIFO empty. |
| | | 01 | Byte written to FIFO. |
| | | 10 | One byte in FIFO. |
| | | 11 | FIFO full. |
| 3:2 | R | 00 | Slave Rx FIFO status bits. FIFO empty. |
| | | 01 | Byte written to FIFO. |
| | | 10 | One byte in FIFO. |
| | | 11 | FIFO full. |
| 1:0 | R | 00 | Slave Tx FIFO status bits. FIFO empty. |
| | | 01 | Byte written to FIFO. |
| | | 10 | One byte in FIFO. |
| | | 11 | FIFO full. |

PROGRAMMABLE LOGIC ARRAY (PLA)

Every ADuC7019/20/21/22/24/25/26/27/28/29 integrates a fully programmable logic array (PLA) that consists of two independent but interconnected PLA blocks. Each block consists of eight PLA elements, giving each part a total of 16 PLA elements.

Each PLA element contains a two-input lookup table that can be configured to generate any logic output function based on two inputs and a flip-flop. This is represented in Figure 76.

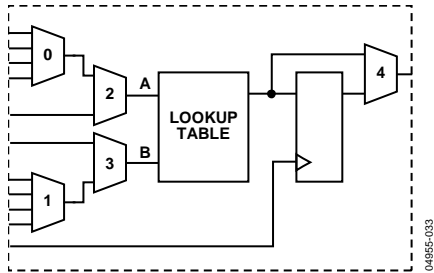


Figure 76. PLA Element

In total, 30 GPIO pins are available on each ADuC7019/20/21/22/24/25/26/27/28/29 for the PLA. These include 16 input pins and 14 output pins, which must be configured in the GPxCON register as PLA pins before using the PLA. Note that the comparator output is also included as one of the 16 input pins.

The PLA is configured via a set of user MMRs. The output(s) of the PLA can be routed to the internal interrupt system, to the CONV_{START} signal of the ADC, to an MMR, or to any of the 16 PLA output pins.

The two blocks can be interconnected as follows:

- Output of Element 15 (Block 1) can be fed back to Input 0 of Mux 0 of Element 0 (Block 0).
- Output of Element 7 (Block 0) can be fed back to the Input 0 of Mux 0 of Element 8 (Block 1).

Table 145. Element Input/Output

| PLA Block 0 | | | PLA Block 1 | | |
|-------------|-------|--------|-------------|-------|--------|
| Element | Input | Output | Element | Input | Output |
| 0 | P1.0 | P1.7 | 8 | P3.0 | P4.0 |
| 1 | P1.1 | P0.4 | 9 | P3.1 | P4.1 |
| 2 | P1.2 | P0.5 | 10 | P3.2 | P4.2 |
| 3 | P1.3 | P0.6 | 11 | P3.3 | P4.3 |
| 4 | P1.4 | P0.7 | 12 | P3.4 | P4.4 |
| 5 | P1.5 | P2.0 | 13 | P3.5 | P4.5 |
| 6 | P1.6 | P2.1 | 14 | P3.6 | P4.6 |
| 7 | P0.0 | P2.2 | 15 | P3.7 | P4.7 |

PLA MMRs Interface

The PLA peripheral interface consists of the 22 MMRs described in this section.

Table 146. PLAELMx Registers

| Name | Address | Default Value | Access |
|----------|------------|---------------|--------|
| PLAELM0 | 0xFFFF0B00 | 0x0000 | R/W |
| PLAELM1 | 0xFFFF0B04 | 0x0000 | R/W |
| PLAELM2 | 0xFFFF0B08 | 0x0000 | R/W |
| PLAELM3 | 0xFFFF0B0C | 0x0000 | R/W |
| PLAELM4 | 0xFFFF0B10 | 0x0000 | R/W |
| PLAELM5 | 0xFFFF0B14 | 0x0000 | R/W |
| PLAELM6 | 0xFFFF0B18 | 0x0000 | R/W |
| PLAELM7 | 0xFFFF0B1C | 0x0000 | R/W |
| PLAELM8 | 0xFFFF0B20 | 0x0000 | R/W |
| PLAELM9 | 0xFFFF0B24 | 0x0000 | R/W |
| PLAELM10 | 0xFFFF0B28 | 0x0000 | R/W |
| PLAELM11 | 0xFFFF0B2C | 0x0000 | R/W |
| PLAELM12 | 0xFFFF0B30 | 0x0000 | R/W |
| PLAELM13 | 0xFFFF0B34 | 0x0000 | R/W |
| PLAELM14 | 0xFFFF0B38 | 0x0000 | R/W |
| PLAELM15 | 0xFFFF0B3C | 0x0000 | R/W |

PLAELMx are Element 0 to Element 15 control registers. They configure the input and output mux of each element, select the function in the lookup table, and bypass/use the flip-flop. See Table 147 and Table 152.

Table 147. PLAELMx MMR Bit Descriptions

| Bit | Value | Description |
|-------|-------|------------------------------------------------------------------------------------------------------------------------------|
| 31:11 | | Reserved. |
| 10:9 | | Mux 0 control (see Table 152). |
| 8:7 | | Mux 1 control (see Table 152). |
| 6 | | Mux 2 control. Set by user to select the output of Mux 0. Cleared by user to select the bit value from PLADIN. |
| 5 | | Mux 3 control. Set by user to select the input pin of the particular element. Cleared by user to select the output of Mux 1. |
| 4:1 | | Lookup table control. |
| | 0000 | 0. |
| | 0001 | NOR. |
| | 0010 | B AND NOT A. |
| | 0011 | NOT A. |
| | 0100 | A AND NOT B. |
| | 0101 | NOT B. |
| | 0110 | EXOR. |
| | 0111 | NAND. |
| | 1000 | AND. |
| | 1001 | EXNOR. |
| | 1010 | B. |
| | 1011 | NOT A OR B. |
| | 1100 | A. |
| | 1101 | A OR NOT B. |
| | 1110 | OR. |
| | 1111 | 1. |
| 0 | | Mux 4 control. Set by user to bypass the flip-flop. Cleared by user to select the flip-flop (cleared by default). |

Table 148. PLACLK Register

| Name | Address | Default Value | Access |
|--------|------------|---------------|--------|
| PLACLK | 0xFFFF0B40 | 0x00 | R/W |

PLACLK is the clock selection for the flip-flops of Block 0 and Block 1. Note that the maximum frequency when using the GPIO pins as the clock input for the PLA blocks is 44 MHz.

Table 149. PLACLK MMR Bit Descriptions

| Bit | Value | Description |
|-----|-------|------------------------------------------|
| 7 | | Reserved. |
| 6:4 | | Block 1 clock source selection. |
| | 000 | GPIO clock on P0.5. |
| | 001 | GPIO clock on P0.0. |
| | 010 | GPIO clock on P0.7. |
| | 011 | HCLK. |
| | 100 | OCLK (32.768 kHz) external crystal only. |
| | 101 | Timer1 overflow. |
| | Other | Reserved. |
| 3 | | Reserved. |
| 2:0 | | Block 0 clock source selection. |
| | 000 | GPIO clock on P0.5. |
| | 001 | GPIO clock on P0.0. |
| | 010 | GPIO clock on P0.7. |
| | 011 | HCLK. |
| | 100 | OCLK (32.768 kHz) external crystal only. |
| | 101 | Timer1 overflow. |
| | Other | Reserved. |

Table 150. PLAIRQ Register

| Name | Address | Default Value | Access |
|--------|------------|---------------|--------|
| PLAIRQ | 0xFFFF0B44 | 0x00000000 | R/W |

PLAIRQ enables IRQ0 and/or IRQ1 and selects the source of the IRQ.

Table 151. PLAIRQ MMR Bit Descriptions

| Bit | Value | Description |
|-------|-------|-------------------------------------------------------------------------------------------------------------------|
| 15:13 | | Reserved. |
| 12 | | PLA IRQ1 enable bit. Set by user to enable IRQ1 output from PLA. Cleared by user to disable IRQ1 output from PLA. |
| 11:8 | | PLA IRQ1 source. |
| | 0000 | PLA Element 0. |
| | 0001 | PLA Element 1. |
| | 1111 | PLA Element 15. |
| 7:5 | | Reserved. |
| 4 | | PLA IRQ0 enable bit. Set by user to enable IRQ0 output from PLA. Cleared by user to disable IRQ0 output from PLA. |
| 3:0 | | PLA IRQ0 source. |
| | 0000 | PLA Element 0. |
| | 0001 | PLA Element 1. |
| | 1111 | PLA Element 15. |

Table 152. Feedback Configuration

| Bit | Value | PLAELM0 | PLAELM1 to PLAELM7 | PLAELM8 | PLAELM9 to PLAELM15 |
|------|-------|------------|--------------------|------------|---------------------|
| 10:9 | 00 | Element 15 | Element 0 | Element 7 | Element 8 |
| | 01 | Element 2 | Element 2 | Element 10 | Element 10 |
| | 10 | Element 4 | Element 4 | Element 12 | Element 12 |
| | 11 | Element 6 | Element 6 | Element 14 | Element 14 |
| 8:7 | 00 | Element 1 | Element 1 | Element 9 | Element 9 |
| | 01 | Element 3 | Element 3 | Element 11 | Element 11 |
| | 10 | Element 5 | Element 5 | Element 13 | Element 13 |
| | 11 | Element 7 | Element 7 | Element 15 | Element 15 |

Table 153. PLAADC Register

| Name | Address | Default Value | Access |
|--------|------------|---------------|--------|
| PLAADC | 0xFFFF0B48 | 0x00000000 | R/W |

PLAADC is the PLA source for the ADC start conversion signal.

Table 154. PLAADC MMR Bit Descriptions

| Bit | Value | Description |
|------|-------|-------------------------------------------------------------------------------------------------------------------------------------------------|
| 31:5 | | Reserved. |
| 4 | | ADC start conversion enable bit. Set by user to enable ADC start conversion from PLA. Cleared by user to disable ADC start conversion from PLA. |
| 3:0 | | ADC start conversion source. |
| | 0000 | PLA Element 0. |
| | 0001 | PLA Element 1. |
| | 1111 | PLA Element 15. |

Table 155. PLADIN Register

| Name | Address | Default Value | Access |
|--------|------------|---------------|--------|
| PLADIN | 0xFFFF0B4C | 0x00000000 | R/W |

PLADIN is a data input MMR for PLA.

Table 156. PLADIN MMR Bit Descriptions

| Bit | Description |
|-------|---------------------------------------|
| 31:16 | Reserved. |
| 15:0 | Input bit to Element 15 to Element 0. |

Table 157. PLADOUT Register

| Name | Address | Default Value | Access |
|---------|------------|---------------|--------|
| PLADOUT | 0xFFFF0B50 | 0x00000000 | R |

PLADOUT is a data output MMR for PLA. This register is always updated.

Table 158. PLADOUT MMR Bit Descriptions

| Bit | Description |
|-------|------------------------------------------|
| 31:16 | Reserved. |
| 15:0 | Output bit from Element 15 to Element 0. |

Table 159. PLALCK Register

| Name | Address | Default Value | Access |
|--------|------------|---------------|--------|
| PLALCK | 0xFFFF0B54 | 0x00 | W |

PLALCK is a PLA lock option. Bit 0 is written only once. When set, it does not allow modifying any of the PLA MMRs, except PLADIN. A PLA tool is provided in the development system to easily configure the PLA.

PROCESSOR REFERENCE PERIPHERALS

INTERRUPT SYSTEM

There are 23 interrupt sources on the ADuC7019/20/21/22/24/25/26/27/28/29 that are controlled by the interrupt controller. Most interrupts are generated from the on-chip peripherals, such as ADC and UART. Four additional interrupt sources are generated from external interrupt request pins, IRQ0, IRQ1, IRQ2, and IRQ3. The ARM7TDMI CPU core only recognizes interrupts as one of two types: a normal interrupt request IRQ or a fast interrupt request FIQ. All the interrupts can be masked separately.

The control and configuration of the interrupt system are managed through nine interrupt-related registers, four dedicated to IRQ, and four dedicated to FIQ. An additional MMR is used to select the programmed interrupt source. The bits in each IRQ and FIQ register (except for Bit 23) represent the same interrupt source as described in Table 160.

Table 160. IRQ/FIQ MMRs Bit Description

| Bit | Description |
|-----|-----------------------------------------|
| 0 | All interrupts OR'ed (FIQ only) |
| 1 | SWI |
| 2 | Timer0 |
| 3 | Timer1 |
| 4 | Wake-up timer (Timer2) |
| 5 | Watchdog timer (Timer3) |
| 6 | Flash control |
| 7 | ADC channel |
| 8 | PLL lock |
| 9 | I2C0 slave |
| 10 | I2C0 master |
| 11 | I2C1 master |
| 12 | SPI slave |
| 13 | SPI master |
| 14 | UART |
| 15 | External IRQ0 |
| 16 | Comparator |
| 17 | PSM |
| 18 | External IRQ1 |
| 19 | PLA IRQ0 |
| 20 | PLA IRQ1 |
| 21 | External IRQ2 |
| 22 | External IRQ3 |
| 23 | PWM trip (IRQ only)/PWM sync (FIQ only) |

IRQ

The interrupt request (IRQ) is the exception signal to enter the IRQ mode of the processor. It is used to service general-purpose interrupt handling of internal and external events.

The four 32-bit registers dedicated to IRQ are IRQSTA, IRQSIG, IRQEN, and IRQCLR.

Table 161. IRQSTA Register

| Name | Address | Default Value | Access |
|--------|------------|---------------|--------|
| IRQSTA | 0xFFFF0000 | 0x00000000 | R |

IRQSTA (read-only register) provides the current-enabled IRQ source status. When set to 1, that source should generate an active IRQ request to the ARM7TDMI core. There is no priority encoder or interrupt vector generation. This function is implemented in software in a common interrupt handler routine. All 32 bits are logically OR'ed to create the IRQ signal to the ARM7TDMI core.

Table 162. IRQSIG Register

| Name | Address | Default Value | Access |
|--------|------------|-------------------------|--------|
| IRQSIG | 0xFFFF0004 | 0x00XXX000 ¹ | R |

¹ X indicates an undefined value.

IRQSIG reflects the status of the different IRQ sources. If a peripheral generates an IRQ signal, the corresponding bit in the IRQSIG is set; otherwise, it is cleared. The IRQSIG bits are cleared when the interrupt in the particular peripheral is cleared. All IRQ sources can be masked in the IRQEN MMR. IRQSIG is read only.

Table 163. IRQEN Register

| Name | Address | Default Value | Access |
|-------|------------|---------------|--------|
| IRQEN | 0xFFFF0008 | 0x00000000 | R/W |

IRQEN provides the value of the current enable mask. When each bit is set to 1, the source request is enabled to create an IRQ exception. When each bit is set to 0, the source request is disabled or masked, which does not create an IRQ exception.

Note that to clear an already enabled interrupt source, the user must set the appropriate bit in the IRQCLR register. Clearing an interrupt's IRQEN bit does not disable the interrupt.

Table 164. IRQCLR Register

| Name | Address | Default Value | Access |
|--------|------------|---------------|--------|
| IRQCLR | 0xFFFF000C | 0x00000000 | W |

IRQCLR (write-only register) clears the IRQEN register in order to mask an interrupt source. Each bit set to 1 clears the corresponding bit in the IRQEN register without affecting the remaining bits. The pair of registers, IRQEN and IRQCLR, independently manipulates the enable mask without requiring an atomic read-modify-write.

FIQ

The fast interrupt request (FIQ) is the exception signal to enter the FIQ mode of the processor. It is provided to service data transfer or communication channel tasks with low latency. The FIQ interface is identical to the IRQ interface providing the second-level interrupt (highest priority). Four 32-bit registers are dedicated to FIQ: FIQSIG, FIQEN, FIQCLR, and FIQSTA.

Table 165. FIQSTA Register

| Name | Address | Default Value | Access |
|--------|-------------|---------------|--------|
| FIQSTA | 0xFFFFF0100 | 0x00000000 | R |

Table 166. FIQSIG Register

| Name | Address | Default Value | Access |
|--------|-------------|-------------------------|--------|
| FIQSIG | 0xFFFFF0104 | 0x00XXX000 ¹ | R |

¹X indicates an undefined value.

Table 167. FIQEN Register

| Name | Address | Default Value | Access |
|-------|-------------|---------------|--------|
| FIQEN | 0xFFFFF0108 | 0x00000000 | R/W |

Table 168. FIQCLR Register

| Name | Address | Default Value | Access |
|--------|-------------|---------------|--------|
| FIQCLR | 0xFFFFF010C | 0x00000000 | W |

Bit 31 to Bit 1 of FIQSTA are logically OR'd to create the FIQ signal to the core and to Bit 0 of both the FIQ and IRQ registers (FIQ source).

The logic for FIQEN and IRQEN does not allow an interrupt source to be enabled in both IRQ and FIQ masks. A bit set to 1 in FIQEN does, as a side effect, clear the same bit in IRQEN. Also, a bit set to 1 in IRQEN does, as a side effect, clear the same bit in FIQEN. An interrupt source can be disabled in both the IRQEN and FIQEN masks.

Note that to clear an already enabled FIQ source, the user must set the appropriate bit in the FIQCLR register. Clearing an interrupt's FIQEN bit does not disable the interrupt.

Programmed Interrupts

Because the programmed interrupts are nonmaskable, they are controlled by another register, SWICFG, which simultaneously writes into the IRQSTA and IRQSIG registers and/or the FIQSTA and FIQSIG registers. The 32-bit SWICFG register is dedicated to software interrupts (see Table 170). This MMR allows the control of a programmed source interrupt.

Table 169. SWICFG Register

| Name | Address | Default Value | Access |
|--------|-------------|---------------|--------|
| SWICFG | 0xFFFFF0010 | 0x00000000 | W |

Table 170. SWICFG MMR Bit Descriptions

| Bit | Description |
|------|---------------------------------------------------------------------------------------------------------------------|
| 31:3 | Reserved. |
| 2 | Programmed interrupt (FIQ). Setting/clearing this bit corresponds with setting/clearing Bit 1 of FIQSTA and FIQSIG. |
| 1 | Programmed interrupt (IRQ). Setting/clearing this bit corresponds with setting/clearing Bit 1 of IRQSTA and IRQSIG. |
| 0 | Reserved. |

Note that any interrupt signal must be active for at least the equivalent of the interrupt latency time, which is detected by the interrupt controller and by the user in the IRQSTA/FIQSTA register.

TIMERS

The ADuC7019/20/21/22/24/25/26/27/28/29 have four general-purpose timer/counters.

- Timer0
- Timer1
- Timer2 or wake-up timer
- Timer3 or watchdog timer

These four timers in their normal mode of operation can be either free running or periodic.

In free-running mode, the counter decreases from the maximum value until zero scale and starts again at the minimum value. (It also increases from the minimum value until full scale and starts again at the maximum value.)

In periodic mode, the counter decrements/increments from the value in the load register (TxLD MMR) until zero/full scale and starts again at the value stored in the load register.

The timer interval is calculated as follows:

If the timer is set to count down then

$$Interval = \frac{(TxLD) \times Prescaler}{SourceClock}$$

If the timer is set to count up, then

$$Interval = \frac{(Fs - TxLD) \times Prescaler}{SourceClock}$$

The value of a counter can be read at any time by accessing its value register (TxVAL). Note that when a timer is being clocked from a clock other than core clock, an incorrect value may be read (due to an asynchronous clock system). In this configuration, TxVAL should always be read twice. If the two readings are different, it should be read a third time to get the correct value.

Timers are started by writing in the control register of the corresponding timer (TxCON).

In normal mode, an IRQ is generated each time the value of the counter reaches zero when counting down. It is also generated each time the counter value reaches full scale when counting up. An IRQ can be cleared by writing any value to clear the register of that particular timer (TxCLRI).

When using an asynchronous clock-to-clock timer, the interrupt in the timer block may take more time to clear than the time it takes for the code in the interrupt routine to execute. Ensure that the interrupt signal is cleared before leaving the interrupt service routine. This can be done by checking the IRQSTA MMR.

Hour:Minute:Second:1/128 Format

To use the timer in hour:minute:second:hundredths format, select the 32,768 kHz clock and prescaler of 256. The hundredths field does not represent milliseconds but 1/128 of a second (256/32,768). The bits representing the hour, minute, and second are not consecutive in the register. This arrangement applies to TxLD and TxVAL when using the hour:minute:second:hundredths format as set in TxCON[5:4]. See Table 171 for additional details.

Table 171. Hour:Minnute:Second:Hundredths Format

| Bit | Value | Description |
|-------|---------------------|--------------|
| 31:24 | 0 to 23 or 0 to 255 | Hours |
| 23:22 | 0 | Reserved |
| 21:16 | 0 to 59 | Minutes |
| 15:14 | 0 | Reserved |
| 13:8 | 0 to 59 | Seconds |
| 7 | 0 | Reserved |
| 6:0 | 0 to 127 | 1/128 second |

Timer0 (RTOS Timer)

Timer0 is a general-purpose, 16-bit timer (count down) with a programmable prescaler (see Figure 77). The prescaler source is the core clock frequency (HCLK) and can be scaled by factors of 1, 16, or 256.

Timer0 can be used to start ADC conversions as shown in the block diagram in Figure 77.

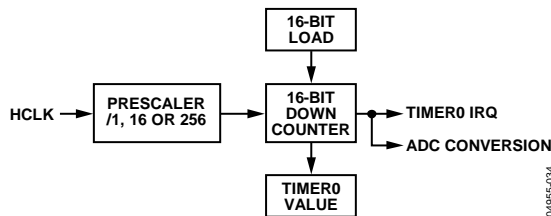


Figure 77. Timer0 Block Diagram

The Timer0 interface consists of four MMRs: T0LD, T0VAL, T0CON, and T0CLRI.

Table 172. T0LD Register

| Name | Address | Default Value | Access |
|------|------------|---------------|--------|
| T0LD | 0xFFFF0300 | 0x0000 | R/W |

T0LD is a 16-bit load register.

Table 173. T0VAL Register

| Name | Address | Default Value | Access |
|-------|------------|---------------|--------|
| T0VAL | 0xFFFF0304 | 0xFFFF | R |

T0VAL is a 16-bit read-only register representing the current state of the counter.

Table 174. T0CON Register

| Name | Address | Default Value | Access |
|-------|------------|---------------|--------|
| T0CON | 0xFFFF0308 | 0x0000 | R/W |

T0CON is the configuration MMR described in Table 175.

Table 175. T0CON MMR Bit Descriptions

| Bit | Value | Description |
|------|-------|----------------------------------------------------------------------------------------------------------------------|
| 15:8 | | Reserved. |
| 7 | | Timer0 enable bit. Set by user to enable Timer0. Cleared by user to disable Timer0 by default. |
| 6 | | Timer0 mode. Set by user to operate in periodic mode. Cleared by user to operate in free-running mode. Default mode. |
| 5:4 | | Reserved. |
| 3:2 | | Prescale. |
| | 00 | Core Clock/1. Default value. |
| | 01 | Core Clock/16. |
| | 10 | Core Clock/256. |
| | 11 | Undefined. Equivalent to 00. |
| 1:0 | | Reserved. |

Table 176. T0CLRI Register

| Name | Address | Default Value | Access |
|--------|------------|---------------|--------|
| T0CLRI | 0xFFFF030C | 0xFF | W |

T0CLRI is an 8-bit register. Writing any value to this register clears the interrupt.

Timer1 (General-Purpose Timer)

Timer1 is a general-purpose, 32-bit timer (count down or count up) with a programmable prescaler. The source can be the 32 kHz external crystal, the core clock frequency, or an external GPIO (P1.0 or P0.6). The maximum frequency of the clock input is 44 Mhz). This source can be scaled by a factor of 1, 16, 256, or 32,768.

The counter can be formatted as a standard 32-bit value or as hours: minutes: seconds: hundredths.

Timer1 has a capture register (T1CAP) that can be triggered by a selected IRQ source initial assertion. This feature can be used to determine the assertion of an event more accurately than the precision allowed by the RTOS timer when the IRQ is serviced.

Timer1 can be used to start ADC conversions as shown in the block diagram in Figure 78.

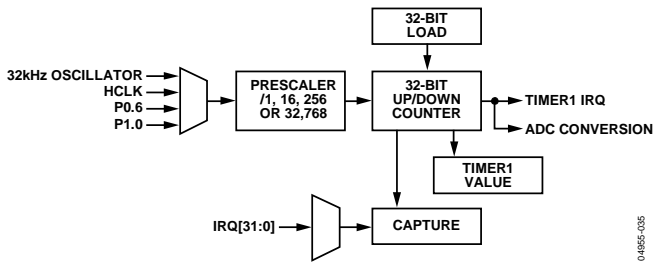


Figure 78. Timer1 Block Diagram

The Timer1 interface consists of five MMRs: T1LD, T1VAL, T1CON, T1CLRI, and T1CAP.

Table 177. T1LD Register

| Name | Address | Default Value | Access |
|------|------------|---------------|--------|
| T1LD | 0xFFFF0320 | 0x00000000 | R/W |

T1LD is a 32-bit load register.

Table 178. T1VAL Register

| Name | Address | Default Value | Access |
|-------|------------|---------------|--------|
| T1VAL | 0xFFFF0324 | 0xFFFFFFFF | R |

T1VAL is a 32-bit read-only register that represents the current state of the counter.

Table 179. T1CON Register

| Name | Address | Default Value | Access |
|-------|------------|---------------|--------|
| T1CON | 0xFFFF0328 | 0x0000 | R/W |

T1CON is the configuration MMR described in Table 180.

Table 180. T1CON MMR Bit Descriptions

| Bit | Value | Description |
|-------|-------|----------------------------------------------------------------------------------------------------------------------------------------------------------------------------------|
| 31:18 | | Reserved. |
| 17 | | Event select bit. Set by user to enable time capture of an event. Cleared by user to disable time capture of an event. |
| 16:12 | | Event select range, 0 to 31. These events are as described in Table 160. All events are offset by two; that is, Event 2 in Table 160 becomes Event 0 for the purposes of Timer1. |
| 11:9 | | Clock select. |
| | 000 | Core clock (HCLK). |
| | 001 | External 32.768 kHz crystal. |
| | 010 | P1.0 rising edge triggered. |
| | 011 | P0.6 rising edge triggered. |
| 8 | | Count up. Set by user for Timer1 to count up. Cleared by user for Timer1 to count down by default. |
| 7 | | Timer1 enable bit. Set by user to enable Timer1. Cleared by user to disable Timer1 by default. |
| 6 | | Timer1 mode. Set by user to operate in periodic mode. Cleared by user to operate in free-running mode. Default mode. |
| 5:4 | | Format. |
| | 00 | Binary. |
| | 01 | Reserved. |
| | 10 | Hr: min: sec: hundredths (23 hours to 0 hour). |
| | 11 | Hr: min: sec: hundredths (255 hours to 0 hour). |
| 3:0 | | Prescale. |
| | 0000 | Source Clock/1. |
| | 0100 | Source Clock/16. |
| | 1000 | Source Clock/256. |
| | 1111 | Source Clock/32,768. |

Table 181. T1CLR1 Register

| Name | Address | Default Value | Access |
|--------|------------|---------------|--------|
| T1CLR1 | 0xFFFF032C | 0xFF | W |

T1CLR1 is an 8-bit register. Writing any value to this register clears the Timer1 interrupt.

Table 182. T1CAP Register

| Name | Address | Default Value | Access |
|-------|------------|---------------|--------|
| T1CAP | 0xFFFF0330 | 0x00000000 | R/W |

T1CAP is a 32-bit register. It holds the value contained in T1VAL when a particular event occurs. This event must be selected in T1CON.

Timer2 (Wake-Up Timer)

Timer2 is a 32-bit wake-up timer (count down or count up) with a programmable prescaler. The source can be the 32 kHz external crystal, the core clock frequency, or the internal 32 kHz oscillator. The clock source can be scaled by a factor of 1, 16, 256, or 32,768. The wake-up timer continues to run when the core clock is disabled.

The counter can be formatted as plain 32-bit value or as hours: minutes: seconds: hundredths.

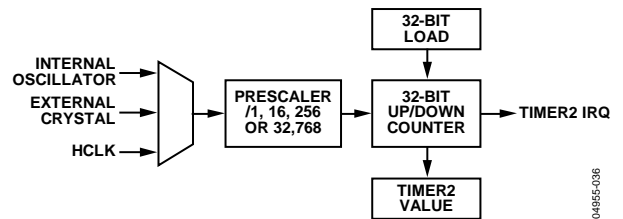


Figure 79. Timer2 Block Diagram

The Timer2 interface consists of four MMRs: T2LD, T2VAL, T2CON, and T2CLR1.

Table 183. T2LD Register

| Name | Address | Default Value | Access |
|------|------------|---------------|--------|
| T2LD | 0xFFFF0340 | 0x00000000 | R/W |

T2LD is a 32-bit register load register.

Table 184. T2VAL Register

| Name | Address | Default Value | Access |
|-------|------------|---------------|--------|
| T2VAL | 0xFFFF0344 | 0xFFFFFFFF | R |

T2VAL is a 32-bit read-only register that represents the current state of the counter.

Table 185. T2CON Register

| Name | Address | Default Value | Access |
|-------|------------|---------------|--------|
| T2CON | 0xFFFF0348 | 0x0000 | R/W |

T2CON is the configuration MMR described in Table 186.

Table 186. T2CON MMR Bit Descriptions

| Bit | Value | Description |
|-------|-------|----------------------------------------------------------------------------------------------------------------------|
| 31:11 | | Reserved. |
| 10:9 | | Clock source. |
| | 00 | External crystal. |
| | 01 | External crystal. |
| | 10 | Internal oscillator. |
| | 11 | Core clock (41 MHz/2 ^{CD}). |
| 8 | | Count up. Set by user for Timer2 to count up. Cleared by user for Timer2 to count down by default. |
| 7 | | Timer2 enable bit. Set by user to enable Timer2. Cleared by user to disable Timer2 by default. |
| 6 | | Timer2 mode. Set by user to operate in periodic mode. Cleared by user to operate in free-running mode. Default mode. |
| 5:4 | | Format. |
| | 00 | Binary. |
| | 01 | Reserved. |
| | 10 | Hr: min: sec: Hundredths (23 hours to 0 hour). |
| | 11 | Hr: min: sec: Hundredths (255 hours to 0 hour). |
| 3:0 | | Prescale. |
| | 0000 | Source Clock/1 by default. |
| | 0100 | Source Clock/16. |
| | 1000 | Source Clock/256 expected for Format 2 and Format 3. |
| | 1111 | Source Clock/32,768. |

Table 187. T2CLRI Register

| Name | Address | Default Value | Access |
|--------|------------|---------------|--------|
| T2CLRI | 0xFFFF034C | 0xFF | W |

T2CLRI is an 8-bit register. Writing any value to this register clears the Timer2 interrupt.

Timer3 (Watchdog Timer)

Timer3 has two modes of operation: normal mode and watchdog mode. The watchdog timer is used to recover from an illegal software state. Once enabled, it requires periodic servicing to prevent it from forcing a processor reset.

Normal Mode

Timer3 in normal mode is identical to Timer0, except for the clock source and the count-up functionality. The clock source is 32 kHz from the PLL and can be scaled by a factor of 1, 16, or 256 (see Figure 80).

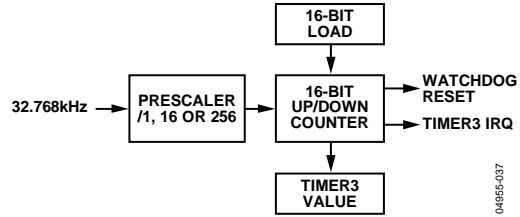


Figure 80. Timer3 Block Diagram

Watchdog Mode

Watchdog mode is entered by setting Bit 5 in the T3CON MMR. Timer3 decreases from the value present in the T3LD register to 0. T3LD is used as the timeout. The maximum timeout can be 512 sec, using the prescaler/256, and full scale in T3LD. Timer3 is clocked by the internal 32 kHz crystal when operating in watchdog mode. Note that to enter watchdog mode successfully, Bit 5 in the T3CON MMR must be set after writing to the T3LD MMR.

If the timer reaches 0, a reset or an interrupt occurs, depending on Bit 1 in the T3CON register. To avoid reset or interrupt, any value must be written to T3CLRI before the expiration period. This reloads the counter with T3LD and begins a new timeout period.

When watchdog mode is entered, T3LD and T3CON are write-protected. These two registers cannot be modified until a reset clears the watchdog enable bit, which causes Timer3 to exit watchdog mode.

The Timer3 interface consists of four MMRs: T3LD, T3VAL, T3CON, and T3CLRI.

Table 188. T3LD Register

| Name | Address | Default Value | Access |
|------|------------|---------------|--------|
| T3LD | 0xFFFF0360 | 0x0000 | R/W |

T3LD is a 16-bit register load register.

Table 189. T3VAL Register

| Name | Address | Default Value | Access |
|-------|------------|---------------|--------|
| T3VAL | 0xFFFF0364 | 0xFFFF | R |

T3VAL is a 16-bit read-only register that represents the current state of the counter.

Table 190. T3CON Register

| Name | Address | Default Value | Access |
|-------|------------|---------------|--------|
| T3CON | 0xFFFF0368 | 0x0000 | R/W |

T3CON is the configuration MMR described in Table 191.

Table 191. T3CON MMR Bit Descriptions

| Bit | Value | Description |
|------|-------|---------------------------------------------------------------------------------------------------------------------------------------------------|
| 15:9 | | Reserved. |
| 8 | | Count up. Set by user for Timer3 to count up. Cleared by user for Timer3 to count down by default. |
| 7 | | Timer3 enable bit. Set by user to enable Timer3. Cleared by user to disable Timer3 by default. |
| 6 | | Timer3 mode. Set by user to operate in periodic mode. Cleared by user to operate in free-running mode. Default mode. |
| 5 | | Watchdog mode enable bit. Set by user to enable watchdog mode. Cleared by user to disable watchdog mode by default. |
| 4 | | Secure clear bit. Set by user to use the secure clear option. Cleared by user to disable the secure clear option by default. |
| 3:2 | | Prescale. |
| | 00 | Source Clock/1 by default. |
| | 01 | Source Clock/16. |
| | 10 | Source Clock/256. |
| | 11 | Undefined. Equivalent to 00. |
| 1 | | Watchdog IRQ option bit. Set by user to produce an IRQ instead of a reset when the watchdog reaches 0. Cleared by user to disable the IRQ option. |
| 0 | | Reserved. |

Table 192. T3CLRI Register

| Name | Address | Default Value | Access |
|--------|------------|---------------|--------|
| T3CLRI | 0xFFFF036C | 0x00 | W |

T3CLRI is an 8-bit register. Writing any value to this register on successive occasions clears the Timer3 interrupt in normal mode or resets a new timeout period in watchdog mode.

Note that the user must perform successive writes to this register to ensure resetting the timeout period.

Secure Clear Bit (Watchdog Mode Only)

The secure clear bit is provided for a higher level of protection. When set, a specific sequential value must be written to T3CLRI to avoid a watchdog reset. The value is a sequence generated by the 8-bit linear feedback shift register (LFSR) polynomial = $X^8 + X^6 + X^5 + X + 1$, as shown in Figure 81.

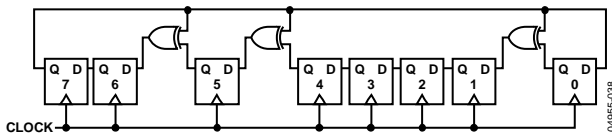


Figure 81. 8-Bit LFSR

The initial value or seed is written to T3CLRI before entering watchdog mode. After entering watchdog mode, a write to T3CLRI must match this expected value. If it matches, the LFSR is advanced to the next state when the counter reload occurs. If it fails to match the expected state, a reset is immediately generated, even if the count has not yet expired.

The value 0x00 should not be used as an initial seed due to the properties of the polynomial. The value 0x00 is always guaranteed to force an immediate reset. The value of the LFSR cannot be read; it must be tracked/generated in software.

The following is an example of a sequence:

1. Enter initial seed, 0xAA, in T3CLRI before starting Timer3 in watchdog mode.
2. Enter 0xAA in T3CLRI; Timer3 is reloaded.
3. Enter 0x37 in T3CLRI; Timer3 is reloaded.
4. Enter 0x6E in T3CLRI; Timer3 is reloaded.
5. Enter 0x66. 0xDC was expected; the watchdog resets the chip.

EXTERNAL MEMORY INTERFACING

The ADuC7026 and ADuC7027 are the only models in their series that feature an external memory interface. The external memory interface requires a larger number of pins. This is why it is only available on larger pin count packages. The XMCFG MMR must be set to 1 to use the external port.

Although 32-bit addresses are supported internally, only the lower 16 bits of the address are on external pins.

The memory interface can address up to four 128 kB blocks of asynchronous memory (SRAM or/and EEPROM).

The pins required for interfacing to an external memory are shown in Table 193.

Table 193. External Memory Interfacing Pins

| Pin | Function |
|------------------------|-------------------------------------------|
| AD[16:1] | Address/data bus |
| A16 | Extended addressing for 8-bit memory only |
| MS[3:0] | Memory select |
| \overline{WS} | Write strobe |
| \overline{RS} | Read strobe |
| AE | Address latch enable |
| \overline{BHE} , BLE | Byte write capability |

There are four external memory regions available, as described in Table 194. Associated with each region are the MS[3:0] pins. These signals allow access to the particular region of external memory. The size of each memory region can be 128 kB maximum, 64 k × 16 or 128 k × 8. To access 128 k with an 8-bit memory, an extra address line (A16) is provided (see the example in Figure 82). The four regions are configured independently.

Table 194. Memory Regions

| Address Start | Address End | Contents |
|---------------|-------------|-------------------|
| 0x10000000 | 0x1000FFFF | External Memory 0 |
| 0x20000000 | 0x2000FFFF | External Memory 1 |
| 0x30000000 | 0x3000FFFF | External Memory 2 |
| 0x40000000 | 0x4000FFFF | External Memory 3 |

Each external memory region can be controlled through three MMRs: XMCFG, XMxCON, and XMxPAR.

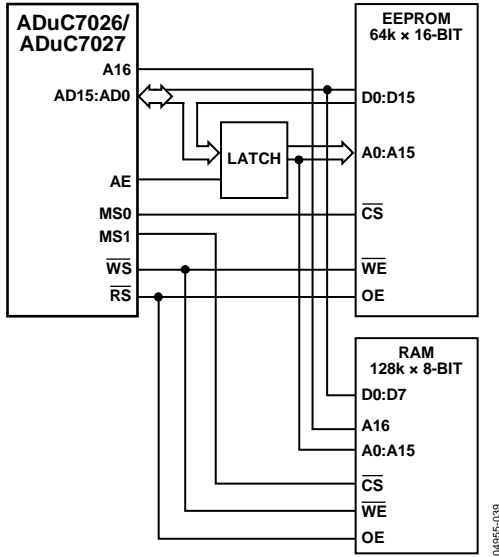


Figure 82. Interfacing to External EEPROM/RAM

Table 195. XMCFG Register

| Name | Address | Default Value | Access |
|-------|------------|---------------|--------|
| XMCFG | 0xFFFFF000 | 0x00 | R/W |

XMCFG is set to 1 to enable external memory access. This must be set to 1 before any port pins function as external memory access pins. The port pins must also be individually enabled via the GPxCON MMR.

Table 196. XMxCON Registers

| Name | Address | Default Value | Access |
|--------|------------|---------------|--------|
| XM0CON | 0xFFFFF010 | 0x00 | R/W |
| XM1CON | 0xFFFFF014 | 0x00 | R/W |
| XM2CON | 0xFFFFF018 | 0x00 | R/W |
| XM3CON | 0xFFFFF01C | 0x00 | R/W |

XMxCON are the control registers for each memory region. They allow the enabling/disabling of a memory region and control the data bus width of the memory region.

Table 197. XMxCON MMR Bit Descriptions

| Bit | Description |
|-----|---------------------------------------------------------------------------------------------------------------|
| 1 | Selects data bus width. Set by user to select a 16-bit data bus. Cleared by user to select an 8-bit data bus. |
| 0 | Enables memory region. Set by user to enable the memory region. Cleared by user to disable the memory region. |

Table 198. XMxPAR Registers

| Name | Address | Default Value | Access |
|--------|------------|---------------|--------|
| XM0PAR | 0xFFFFF020 | 0x70FF | R/W |
| XM1PAR | 0xFFFFF024 | 0x70FF | R/W |
| XM2PAR | 0xFFFFF028 | 0x70FF | R/W |
| XM3PAR | 0xFFFFF02C | 0x70FF | R/W |

XMxPAR are registers that define the protocol used for accessing the external memory for each memory region.

Table 199. XMxPAR MMR Bit Descriptions

| Bit | Description |
|-------|-----------------------------------------------------------------------------------------------------------------------------------------------------------------------------------------------------------------------------------------------------------------------------------------------------------------------------------------------------------|
| 15 | Enable byte write strobe. This bit is used only for two, 8-bit memory devices sharing the same memory region. Set by the user to gate the A0 output with the \overline{WS} output. This allows byte write capability without using \overline{BHE} and \overline{BLE} signals. Cleared by user to use \overline{BHE} and \overline{BLE} signals. |
| 14:12 | Number of wait states on the address latch enable STROBE. |
| 11 | Reserved. |
| 10 | Extra address hold time. Set by user to disable extra hold time. Cleared by user to enable one clock cycle of hold on the address in read and write. |
| 9 | Extra bus transition time on read. Set by user to disable extra bus transition time. Cleared by user to enable one extra clock before and after the read strobe (\overline{RS}). |
| 8 | Extra bus transition time on write. Set by user to disable extra bus transition time. Cleared by user to enable one extra clock before and after the write strobe (\overline{WS}). |
| 7:4 | Number of write wait states. Select the number of wait states added to the length of the \overline{WS} pulse. 0x0 is 1 clock; 0xF is 16 clock cycles (default value). |
| 3:0 | Number of read wait states. Select the number of wait states added to the length of the \overline{RS} pulse. 0x0 is 1 clock; 0xF is 16 clock cycles (default value). |

Figure 83, Figure 84, Figure 85, and Figure 86 show the timing for a read cycle, a read cycle with address hold and bus turn cycles, a write cycle with address and write hold cycles, and a write cycle with wait states, respectively.

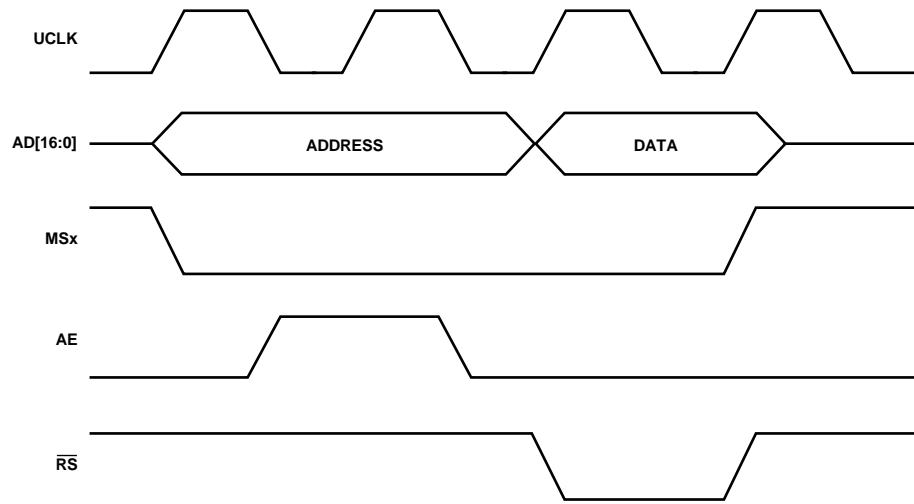


Figure 83. External Memory Read Cycle

04955-040

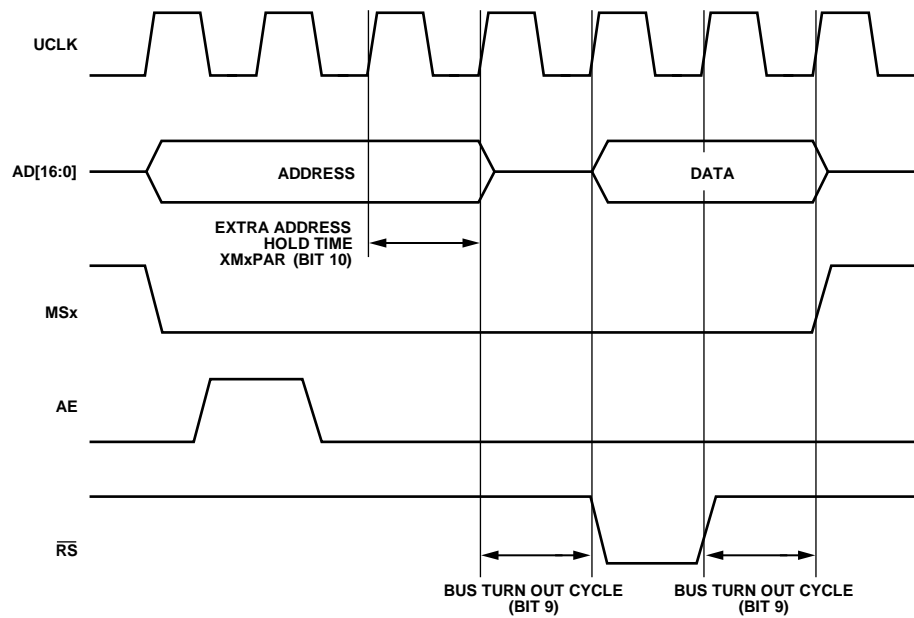


Figure 84. External Memory Read Cycle with Address Hold and Bus Turn Cycles

04955-041

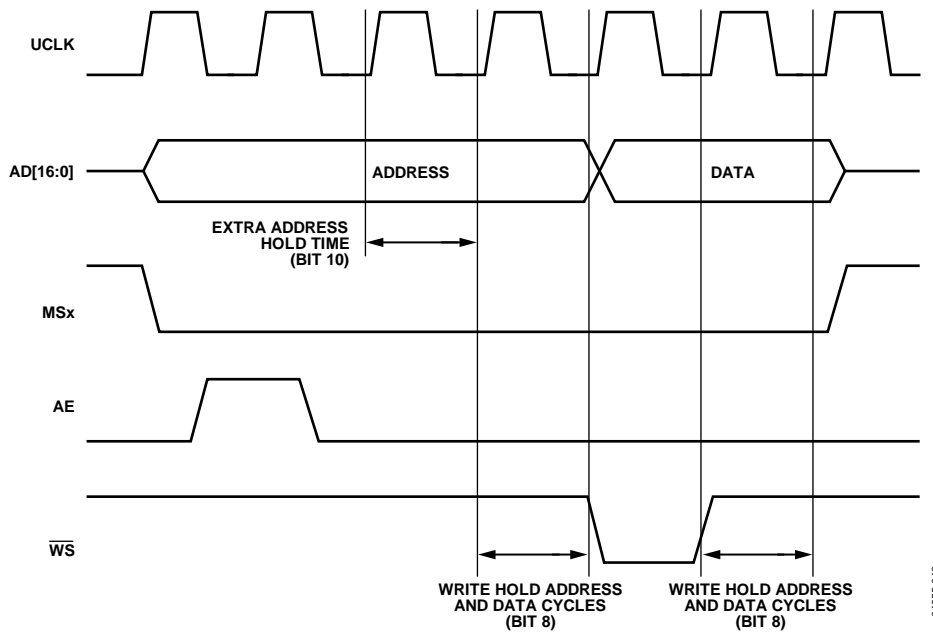


Figure 85. External Memory Write Cycle with Address and Write Hold Cycles

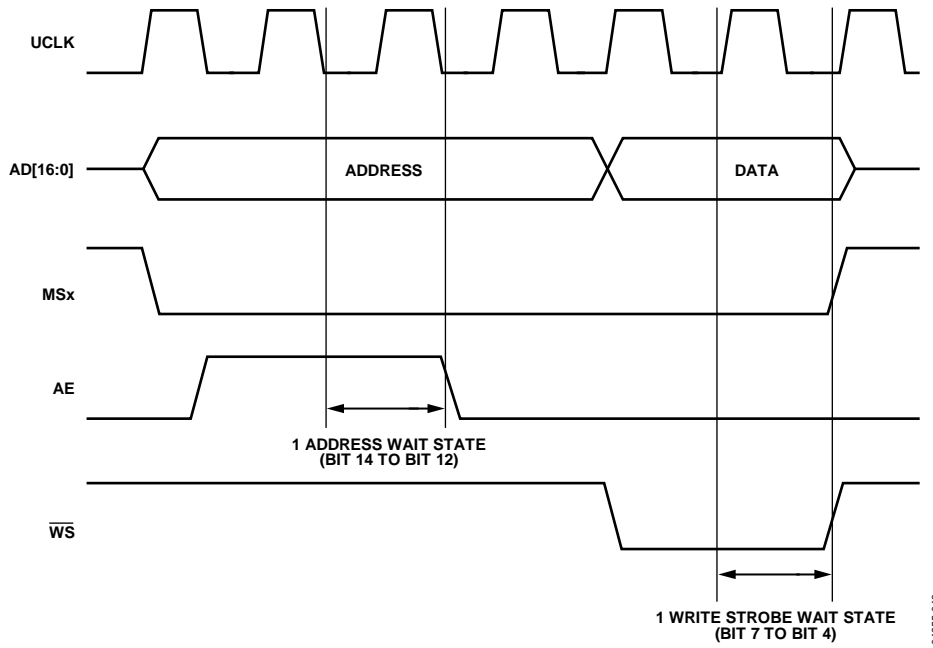


Figure 86. External Memory Write Cycle with Wait States

HARDWARE DESIGN CONSIDERATIONS

POWER SUPPLIES

The ADuC7019/20/21/22/24/25/26/27/28/29 operational power supply voltage range is 2.7 V to 3.6 V. Separate analog and digital power supply pins (AV_{DD} and IOV_{DD} , respectively) allow AV_{DD} to be kept relatively free of noisy digital signals often present on the system IOV_{DD} line. In this mode, the part can also operate with split supplies; that is, it can use different voltage levels for each supply. For example, the system can be designed to operate with an IOV_{DD} voltage level of 3.3 V whereas the AV_{DD} level can be at 3 V or vice versa. A typical split supply configuration is shown in Figure 87.

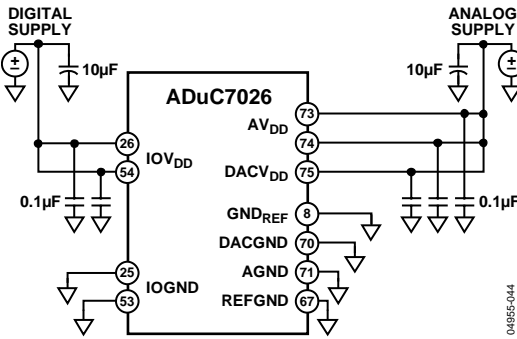


Figure 87. External Dual Supply Connections

As an alternative to providing two separate power supplies, the user can reduce noise on AV_{DD} by placing a small series resistor and/or ferrite bead between AV_{DD} and IOV_{DD} and then decoupling AV_{DD} separately to ground. An example of this configuration is shown in Figure 88. With this configuration, other analog circuitry (such as op amps and voltage reference) can be powered from the AV_{DD} supply line as well.

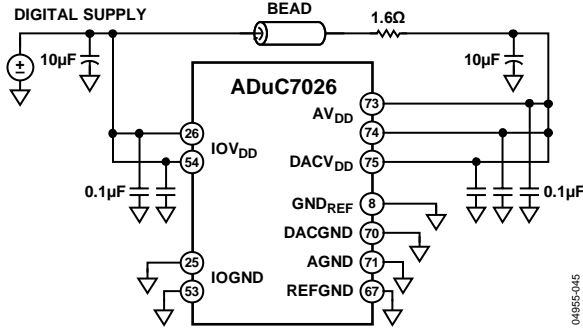


Figure 88. External Single Supply Connections

Note that in both Figure 87 and Figure 88, a large value (10 µF) reservoir capacitor sits on IOV_{DD} , and a separate 10 µF capacitor sits on AV_{DD} . In addition, local small-value (0.1 µF) capacitors are located at each AV_{DD} and IOV_{DD} pin of the chip. As per standard design practice, be sure to include all of these capacitors and ensure that the smaller capacitors are close to each AV_{DD} pin with trace lengths as short as possible. Connect the ground terminal of each of these capacitors directly to the underlying ground plane.

Finally, note that the analog and digital ground pins on the ADuC7019/20/21/22/24/25/26/27/28/29 must be referenced to the same system ground reference point at all times.

IOV_{DD} Supply Sensitivity

The IOV_{DD} supply is sensitive to high frequency noise because it is the supply source for the internal oscillator and PLL circuits. When the internal PLL loses lock, the clock source is removed by a gating circuit from the CPU, and the ARM7TDMI core stops executing code until the PLL regains lock. This feature ensures that no flash interface timings or ARM7TDMI timings are violated.

Typically, frequency noise greater than 50 kHz and 50 mV p-p on top of the supply causes the core to stop working.

If decoupling values recommended in the Power Supplies section do not sufficiently dampen all noise sources below 50 mV on IOV_{DD} , a filter such as the one shown in Figure 89 is recommended.

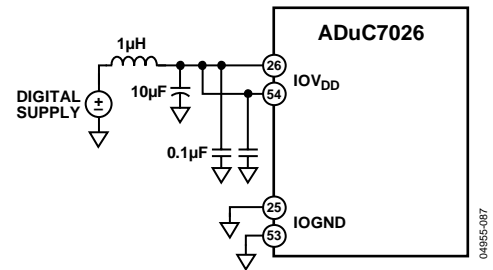


Figure 89. Recommended IOV_{DD} Supply Filter

Linear Voltage Regulator

Each ADuC7019/20/21/22/24/25/26/27/28/29 requires a single 3.3 V supply, but the core logic requires a 2.6 V supply. An on-chip linear regulator generates the 2.6 V from IOV_{DD} for the core logic. The LV_{DD} pin is the 2.6 V supply for the core logic. An external compensation capacitor of 0.47 µF must be connected between LV_{DD} and DGND (as close as possible to these pins) to act as a tank of charge as shown in Figure 90.

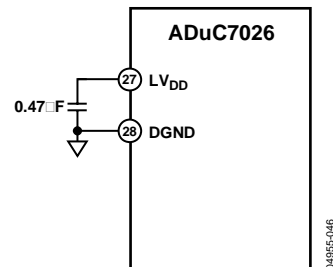


Figure 90. Voltage Regulator Connections

The LV_{DD} pin should not be used for any other chip. It is also recommended to use excellent power supply decoupling on IOV_{DD} to help improve line regulation performance of the on-chip voltage regulator.

GROUNDING AND BOARD LAYOUT RECOMMENDATIONS

As with all high resolution data converters, special attention must be paid to grounding and PC board layout of the ADuC7019/20/21/22/24/25/26/27/28/29-based designs to achieve optimum performance from the ADCs and DAC.

Although the parts have separate pins for analog and digital ground (AGND and IOGND), the user must not tie these to two separate ground planes unless the two ground planes are connected very close to the part. This is illustrated in the simplified example shown in Figure 91a. In systems where digital and analog ground planes are connected together somewhere else (at the system power supply, for example), the planes cannot be reconnected near the part because a ground loop results. In these cases, tie all the ADuC7019/20/21/22/24/25/26/27/28/29 AGND and IOGND pins to the analog ground plane, as illustrated in Figure 91b. In systems with only one ground plane, ensure that the digital and analog components are physically separated onto separate halves of the board so that digital return currents do not flow near analog circuitry (and vice versa).

The ADuC7019/20/21/22/24/25/26/27/28/29 can then be placed between the digital and analog sections, as illustrated in Figure 91c.

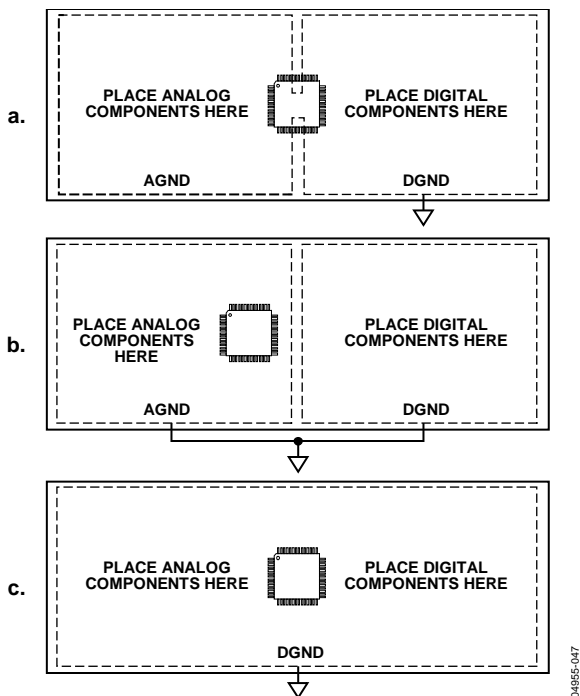


Figure 91. System Grounding Schemes

In all of these scenarios, and in more complicated real-life applications, the user should pay particular attention to the flow of current from the supplies and back to ground. Make sure the return paths for all currents are as close as possible to the paths the currents took to reach their destinations.

For example, do not power components on the analog side (as seen in Figure 91b) with IOV_{DD} because that forces return currents from IOV_{DD} to flow through AGND. Avoid digital currents flowing under analog circuitry, which can occur if a noisy digital chip is placed on the left half of the board (shown in Figure 91c). If possible, avoid large discontinuities in the ground plane(s) such as those formed by a long trace on the same layer because they force return signals to travel a longer path. In addition, make all connections to the ground plane directly, with little or no trace separating the pin from its via to ground.

When connecting fast logic signals (rise/fall time < 5 ns) to any of the ADuC7019/20/21/22/24/25/26/27/28/29 digital inputs, add a series resistor to each relevant line to keep rise and fall times longer than 5 ns at the part's input pins. A value of 100 Ω or 200 Ω is usually sufficient to prevent high speed signals from coupling capacitively into the part and affecting the accuracy of ADC conversions.

CLOCK OSCILLATOR

The clock source for the ADuC7019/20/21/22/24/25/26/27/28/29 can be generated by the internal PLL or by an external clock input. To use the internal PLL, connect a 32.768 kHz parallel resonant crystal between XCLKI and XCLKO, and connect a capacitor from each pin to ground as shown in Figure 92. The crystal allows the PLL to lock correctly to give a frequency of 41.78 MHz. If no external crystal is present, the internal oscillator is used to give a typical frequency of 41.78 MHz ± 3%.

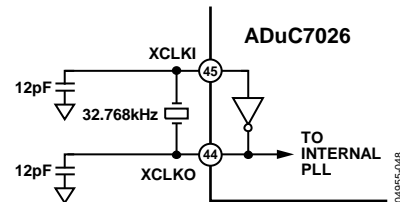


Figure 92. External Parallel Resonant Crystal Connections

To use an external source clock input instead of the PLL (see Figure 93), Bit 1 and Bit 0 of PLLCON must be modified. The external clock uses P0.7 and XCLK.

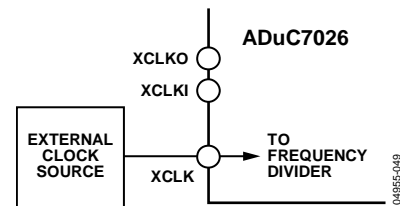


Figure 93. Connecting an External Clock Source

Using an external clock source, the ADuC7019/20/21/22/24/25/26/27/28/29-specified operational clock speed range is 50 kHz to 44 MHz ± 1%, which ensures correct operation of the analog peripherals and Flash/EE.

POWER-ON RESET OPERATION

An internal power-on reset (POR) is implemented on the ADuC7019/20/21/22/24/25/26/27/28/29. For LV_{DD} below 2.35 V typical, the internal POR holds the part in reset. As LV_{DD} rises above 2.35 V, an internal timer times out for, typically, 128 ms before the part is released from reset. The user must ensure that the power supply IOV_{DD} reaches a stable 2.7 V minimum level by this time. Likewise, on power-down, the internal POR holds the part in reset until LV_{DD} drops below 2.35 V.

Figure 94 illustrates the operation of the internal POR in detail.

TYPICAL SYSTEM CONFIGURATION

A typical ADuC7020 configuration is shown in Figure 95. It summarizes some of the hardware considerations discussed in the previous sections. The bottom of the CSP package has an exposed pad that must be soldered to a metal plate on the board for mechanical reasons. The metal plate of the board can be connected to ground.

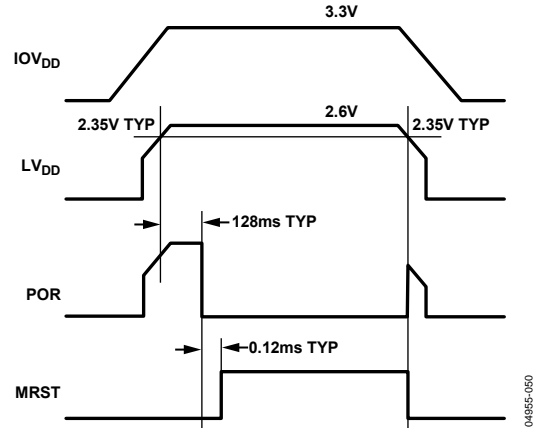
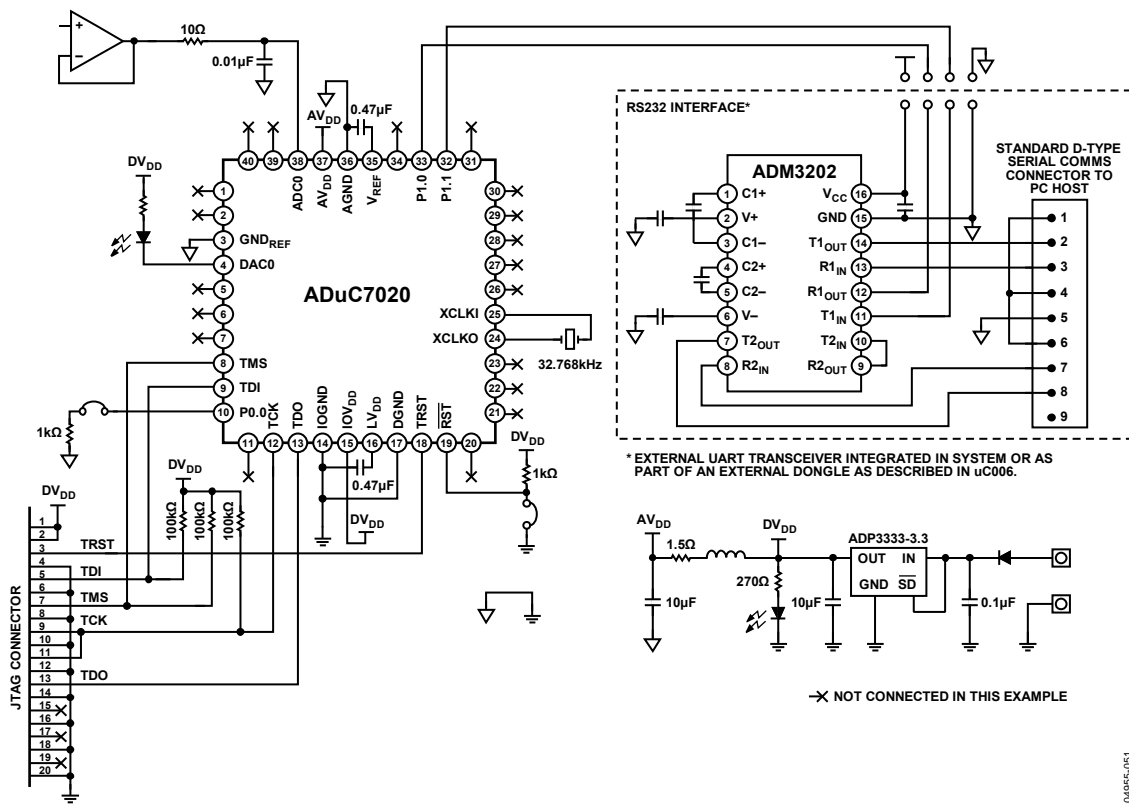


Figure 94. Internal Power-On Reset Operation

04955-050



* EXTERNAL UART TRANSCEIVER INTEGRATED IN SYSTEM OR AS PART OF AN EXTERNAL DONGLE AS DESCRIBED IN uC006.

—X NOT CONNECTED IN THIS EXAMPLE

04955-051

Figure 95. Typical System Configuration

DEVELOPMENT TOOLS

PC-BASED TOOLS

Four types of development systems are available for the ADuC7019/20/21/22/24/25/26/27/28/29 family.

- The ADuC7026 QuickStart Plus is intended for new users who want to have a comprehensive hardware development environment. Because the ADuC7026 contains the superset of functions available on the ADuC7019/20/21/22/24/25/26/27/28/29, it is suitable for users who wish to develop on any of the parts in this family. All parts are fully code compatible.
- The ADuC7020, ADuC7024, and ADuC7026 QuickStart systems are intended for users who already have an emulator.

These systems consist of the following PC-based (Windows® compatible) hardware and software development tools.

Hardware

- ADuC7019/20/21/22/24/25/26/27/28/29 evaluation board
- Serial port programming cable
- RDI-compliant JTAG emulator (included in the ADuC7026 QuickStart Plus only)

Software

- Integrated development environment, incorporating assembler, compiler, and nonintrusive JTAG-based debugger
- Serial downloader software
- Example code

Miscellaneous

CD-ROM documentation

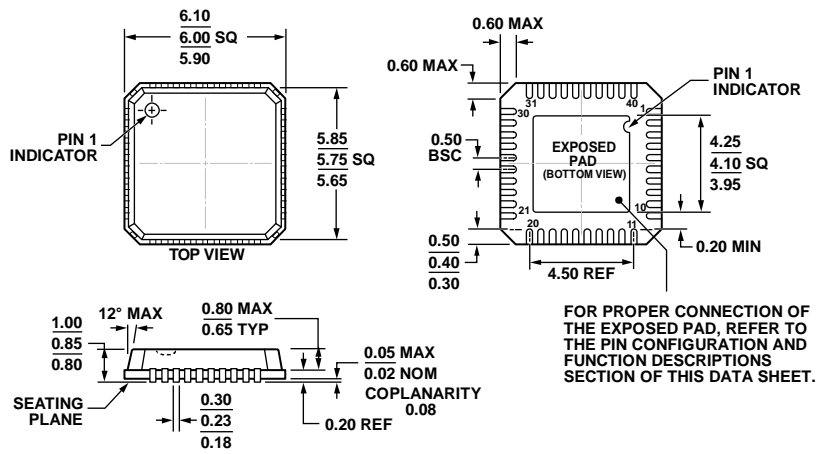
IN-CIRCUIT SERIAL DOWNLOADER

The serial downloader is a Windows application that allows the user to serially download an assembled program to the on-chip program Flash/EE memory via the serial port on a standard PC.

The UART-based serial downloader is included in all the development systems and is usable with the ADuC7019/20/21/22/24/25/26/27/28/29 parts that do not contain the I suffix in the Ordering Guide.

An I²C based serial downloader and a USB-to-I²C adaptor board, USB-EA-CONVZ, are also available at www.analog.com. The I²C-based serial downloader is only usable with the part models containing the I suffix (see Ordering Guide).

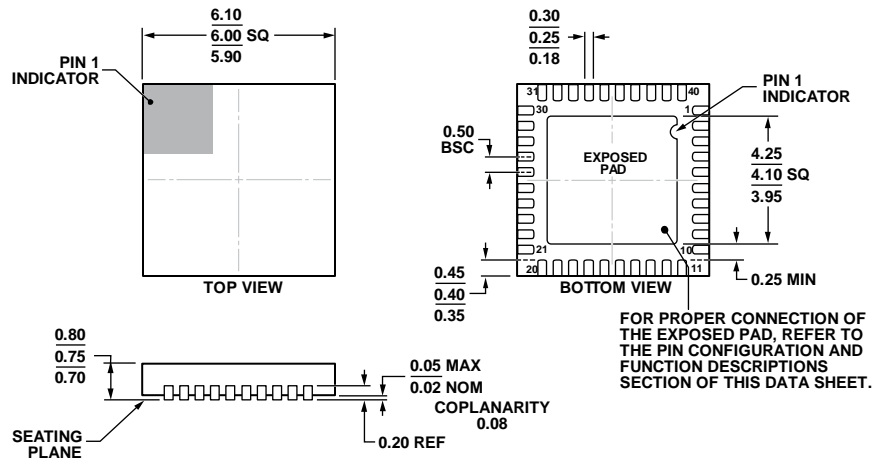
OUTLINE DIMENSIONS



COMPLIANT TO JEDEC STANDARDS MO-220-VJJD-2

Figure 96. 40-Lead Lead Frame Chip Scale Package [LFCSP_VQ]
6 mm × 6 mm Body, Very Thin Quad
(CP-40-1)
Dimensions shown in millimeters

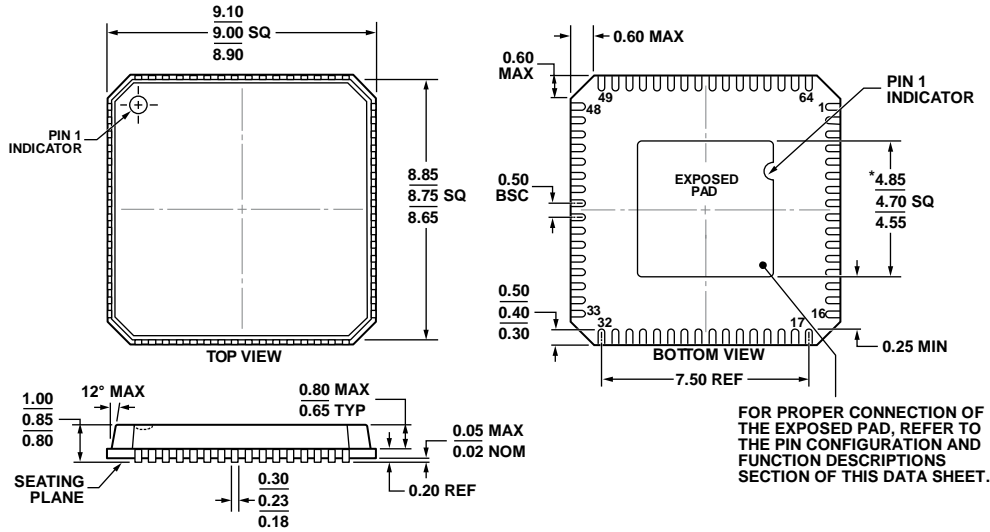
06-01-2012-D



COMPLIANT TO JEDEC STANDARDS MO-220-WJJD.

Figure 97. 40-Lead Lead Frame Chip Scale Package [LFCSP_WQ]
6 x 6 mm Body, Very Very Thin Quad
(CP-40-9)
Dimensions shown in millimeters

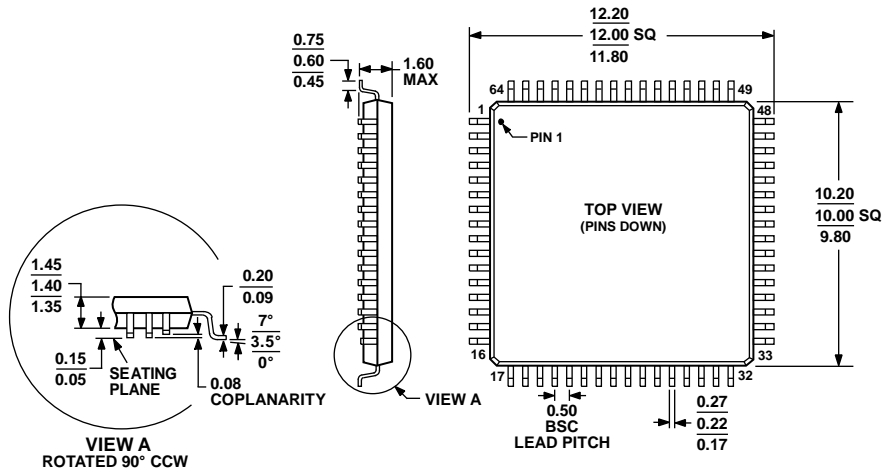
05-06-2011-A



*COMPLIANT TO JEDEC STANDARDS MO-220-VMM4 EXCEPT FOR EXPOSED PAD DIMENSION

Figure 98. 64-Lead Lead Frame Chip Scale Package [LFCSP_VQ]
9 mm x 9 mm Body, Very Thin Quad
(CP-64-1)
Dimensions shown in millimeters

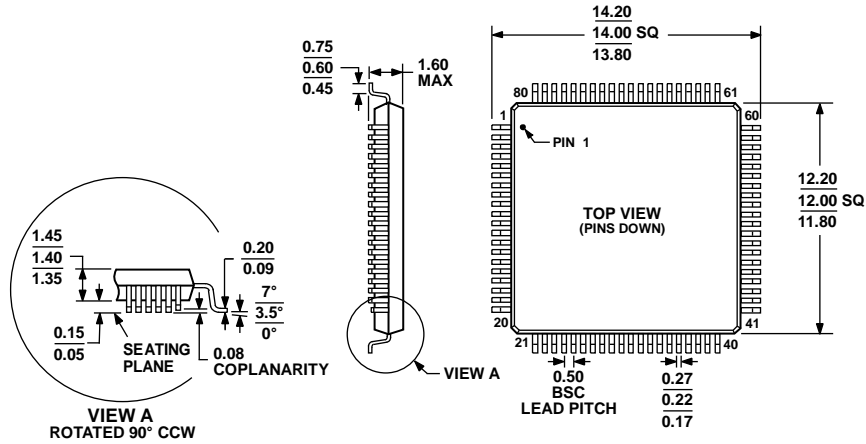
06-13-2012-A



COMPLIANT TO JEDEC STANDARDS MS-026-BCD

Figure 99. 64-Lead Low Profile Quad Flat Package [LQFP]
(ST-64-2)
Dimensions shown in millimeters

051706-A

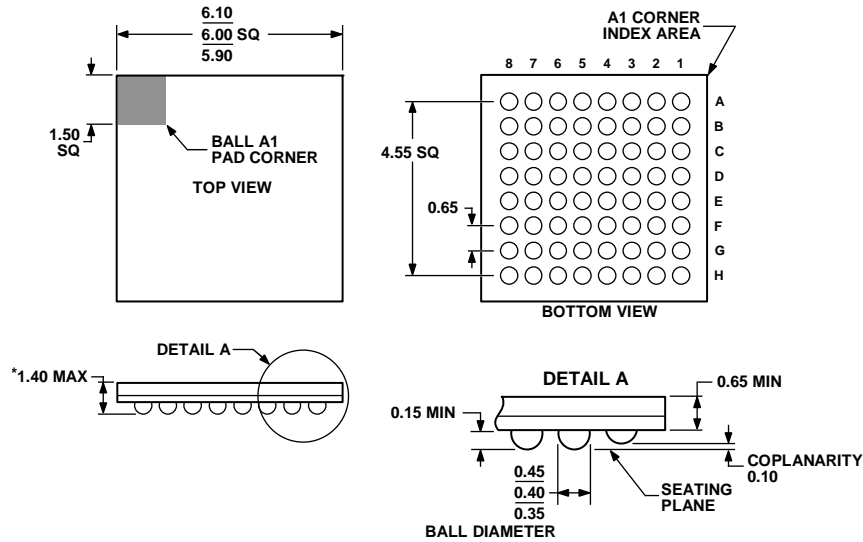


COMPLIANT TO JEDEC STANDARDS MS-026-BDD

Figure 100. 80-Lead Low Profile Quad Flat Package [LQFP] (ST-80-1)

Dimensions shown in millimeters

051706-A



*COMPLIANT TO JEDEC STANDARDS MO-225 WITH THE EXCEPTION TO PACKAGE HEIGHT.

Figure 101. 64-Ball Chip Scale Package Ball Grid Array [CSP_BGA] (BC-64-4)

Dimensions shown in millimeters

039807-B

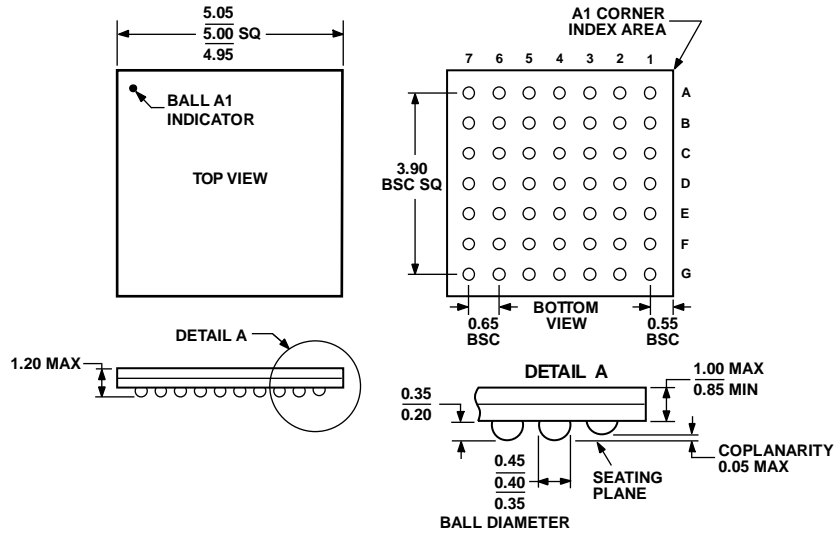


Figure 102. 49-Ball Chip Scale Package Ball Grid Array [CSP_BGA] (BC-49-1)
 Dimensions shown in millimeters

012006-0

ORDERING GUIDE

| Model ^{1,2} | ADC Channels ³ | DAC Channels | FLASH/ RAM | GPIO | Down- loader | Temperature Range | Package Description | Package Option | Ordering Quantity |
|----------------------|---------------------------|--------------|---------------|------|------------------|----------------------|------------------------|-------------------|----------------------|
| ADuC7019BCPZ62I | 5 | 3 | 62 kB/8 kB | 14 | I ² C | −40°C to +125°C | 40-Lead LFCSP_VQ | CP-40-1 | 2,500 750 |
| ADuC7019BCPZ62I-RL | 5 | 3 | 62 kB/8 kB | 14 | I ² C | −40°C to +125°C | 40-Lead LFCSP_VQ | CP-40-1 | |
| ADuC7019BCPZ62IRL7 | 5 | 3 | 62 kB/8 kB | 14 | I ² C | −40°C to +125°C | 40-Lead LFCSP_VQ | CP-40-1 | |
| ADuC7020BCPZ62 | 5 | 4 | 62 kB/8 kB | 14 | UART | −40°C to +125°C | 40-Lead LFCSP_WQ | CP-40-9 | 750 |
| ADuC7020BCPZ62-RL7 | 5 | 4 | 62 kB/8 kB | 14 | UART | −40°C to +125°C | 40-Lead LFCSP_WQ | CP-40-9 | |
| ADuC7020BCPZ62I | 5 | 4 | 62 kB/8 kB | 14 | I ² C | −40°C to +125°C | 40-Lead LFCSP_WQ | CP-40-9 | |
| ADuC7020BCPZ62I-RL | 5 | 4 | 62 kB/8 kB | 14 | I ² C | −40°C to +125°C | 40-Lead LFCSP_WQ | CP-40-9 | 2,500 |
| ADuC7020BCPZ62IRL7 | 5 | 4 | 62 kB/8 kB | 14 | I ² C | −40°C to +125°C | 40-Lead LFCSP_WQ | CP-40-9 | 750 |
| ADuC7021BCPZ62 | 8 | 2 | 62 kB/8 kB | 13 | UART | −40°C to +125°C | 40-Lead LFCSP_VQ | CP-40-1 | 2,500 750 |
| ADuC7021BCPZ62-RL | 8 | 2 | 62 kB/8 kB | 13 | UART | −40°C to +125°C | 40-Lead LFCSP_VQ | CP-40-1 | |
| ADuC7021BCPZ62-RL7 | 8 | 2 | 62 kB/8 kB | 13 | UART | −40°C to +125°C | 40-Lead LFCSP_VQ | CP-40-1 | |
| ADuC7021BCPZ62I | 8 | 2 | 62 kB/8 kB | 13 | I ² C | −40°C to +125°C | 40-Lead LFCSP_VQ | CP-40-1 | 2,500 |
| ADuC7021BCPZ62I-RL | 8 | 2 | 62 kB/8 kB | 13 | I ² C | −40°C to +125°C | 40-Lead LFCSP_VQ | CP-40-1 | |
| ADuC7021BCPZ32 | 8 | 2 | 32 kB/4 kB | 13 | UART | −40°C to +125°C | 40-Lead LFCSP_VQ | CP-40-1 | |
| ADuC7021BCPZ32-RL7 | 8 | 2 | 32 kB/4 kB | 13 | UART | −40°C to +125°C | 40-Lead LFCSP_VQ | CP-40-1 | 750 |
| ADuC7022BCPZ62 | 10 | | 62 kB/8 kB | 13 | UART | −40°C to +125°C | 40-Lead LFCSP_VQ | CP-40-1 | 750 |
| ADuC7022BCPZ62-RL7 | 10 | | 62 kB/8 kB | 13 | UART | −40°C to +125°C | 40-Lead LFCSP_VQ | CP-40-1 | |
| ADuC7022BCPZ32 | 10 | | 32 kB/4 kB | 13 | UART | −40°C to +125°C | 40-Lead LFCSP_VQ | CP-40-1 | |
| ADuC7022BCPZ32-RL | 10 | | 32 kB/4 kB | 13 | UART | −40°C to +125°C | 40-Lead LFCSP_VQ | CP-40-1 | 2,500 |
| ADuC7024BCPZ62 | 10 | 2 | 62 kB/8 kB | 30 | UART | −40°C to +125°C | 64-Lead LFCSP_VQ | CP-64-1 | 750 |
| ADuC7024BCPZ62-RL7 | 10 | 2 | 62 kB/8 kB | 30 | UART | −40°C to +125°C | 64-Lead LFCSP_VQ | CP-64-1 | |
| ADuC7024BCPZ62I | 10 | 2 | 62 kB/8 kB | 30 | I ² C | −40°C to +125°C | 64-Lead LFCSP_VQ | CP-64-1 | |
| ADuC7024BCPZ62I-RL | 10 | 2 | 62 kB/8 kB | 30 | I ² C | −40°C to +125°C | 64-Lead LFCSP_VQ | CP-64-1 | 2,500 |
| ADuC7024BSTZ62 | 10 | 2 | 62 kB/8 kB | 30 | UART | −40°C to +125°C | 64-Lead LQFP | ST-64-2 | 1,500 |
| ADuC7024BSTZ62-RL | 10 | 2 | 62 kB/8 kB | 30 | UART | −40°C to +125°C | 64-Lead LQFP | ST-64-2 | |
| ADuC7025BCPZ62 | 12 | | 62 kB/8 kB | 30 | UART | −40°C to +125°C | 64-Lead LFCSP_VQ | CP-64-1 | 2,500 |
| ADuC7025BCPZ62-RL | 12 | | 62 kB/8 kB | 30 | UART | −40°C to +125°C | 64-Lead LFCSP_VQ | CP-64-1 | |
| ADuC7025BCPZ32 | 12 | | 32 kB/4 kB | 30 | UART | −40°C to +125°C | 64-Lead LFCSP_VQ | CP-64-1 | |
| ADuC7025BCPZ32-RL | 12 | | 32 kB/4 kB | 30 | UART | −40°C to +125°C | 64-Lead LFCSP_VQ | CP-64-1 | 2,500 |
| ADuC7025BSTZ62 | 12 | | 62 kB/8 kB | 30 | UART | −40°C to +125°C | 64-Lead LQFP | ST-64-2 | 1,000 |
| ADuC7025BSTZ62-RL | 12 | | 62 kB/8 kB | 30 | UART | −40°C to +125°C | 64-Lead LQFP | ST-64-2 | |
| ADuC7026BSTZ62 | 12 | 4 | 62 kB/8 kB | 40 | UART | −40°C to +125°C | 80-Lead LQFP | ST-80-1 | 1,000 |
| ADuC7026BSTZ62-RL | 12 | 4 | 62 kB/8 kB | 40 | UART | −40°C to +125°C | 80-Lead LQFP | ST-80-1 | |
| ADuC7026BSTZ62I | 12 | 4 | 62 kB/8 kB | 40 | I ² C | −40°C to +125°C | 80-Lead LQFP | ST-80-1 | |
| ADuC7026BSTZ62I-RL | 12 | 4 | 62 kB/8 kB | 40 | I ² C | −40°C to +125°C | 80-Lead LQFP | ST-80-1 | 1,000 |
| ADuC7027BSTZ62 | 16 | | 62 kB/8 kB | 40 | UART | −40°C to +125°C | 80-Lead LQFP | ST-80-1 | 1,000 |
| ADuC7027BSTZ62-RL | 16 | | 62 kB/8 kB | 40 | UART | −40°C to +125°C | 80-Lead LQFP | ST-80-1 | |
| ADuC7027BSTZ62I | 16 | | 62 kB/8 kB | 40 | I ² C | −40°C to +125°C | 80-Lead LQFP | ST-80-1 | |
| ADuC7027BSTZ62I-RL | 16 | | 62 kB/8 kB | 40 | I ² C | −40°C to +125°C | 80-Lead LQFP | ST-80-1 | 1,000 |
| ADuC7028BBCZ62 | 8 | 4 | 62 kB/8 kB | 30 | UART | −40°C to +125°C | 64-Ball CSP_BGA | BC-64-4 | 2,500 |
| ADuC7028BBCZ62-RL | 8 | 4 | 62 kB/8 kB | 30 | UART | −40°C to +125°C | 64-Ball CSP_BGA | BC-64-4 | |
| ADuC7029BBCZ62 | 7 | 4 | 62 kB/8 kB | 22 | UART | −40°C to +125°C | 49-Ball CSP_BGA | BC-49-1 | 4,000 |
| ADuC7029BBCZ62-RL | 7 | 4 | 62 kB/8 kB | 22 | UART | −40°C to +125°C | 49-Ball CSP_BGA | BC-49-1 | |
| ADuC7029BBCZ62I | 7 | 4 | 62 kB/8 kB | 22 | I ² C | −40°C to +125°C | 49-Ball CSP_BGA | BC-49-1 | |
| ADuC7029BBCZ62I-RL | 7 | 4 | 62 kB/8 kB | 22 | I ² C | −40°C to +125°C | 49-Ball CSP_BGA | BC-49-1 | 4,000 |

| Model ^{1,2} | ADC Channels ³ | DAC Channels | FLASH/ RAM | GPIO | Down- loader | Temperature Range | Package Description | Package Option | Ordering Quantity |
|----------------------|---------------------------|--------------|---------------|------|-----------------|----------------------|------------------------------------------------|-------------------|----------------------|
| EVAL-ADuC7020MKZ | | | | | | | ADuC7020 MiniKit | | |
| EVAL-ADuC7020QSZ | | | | | | | ADuC7020 QuickStart Development System | | |
| EVAL-ADuC7020QSPZ | | | | | | | ADuC7020 QuickStart Development System | | |
| EVAL-ADuC7024QSZ | | | | | | | ADuC7024 QuickStart Development System | | |
| EVAL-ADuC7026QSZ | | | | | | | ADuC7026 QuickStar Development System | | |
| EVAL-ADuC7026QSPZ | | | | | | | ADuC7026 QuickStart Plus Development System | | |
| EVAL-ADuC7028QSZ | | | | | | | ADuC7028 QuickStart Development System | | |
| EVAL-ADUC7029QSZ | | | | | | | ADuC7029 QuickStart Development System | | |

¹ Z = RoHS Compliant Part.

² Models ADuC7026 and ADuC7027 include an external memory interface.

³ One of the ADC channels is internally buffered for ADuC7019 models.

NOTES

NOTES

I²C refers to a communications protocol originally developed by Phillips Semiconductors (now NXP Semiconductors).