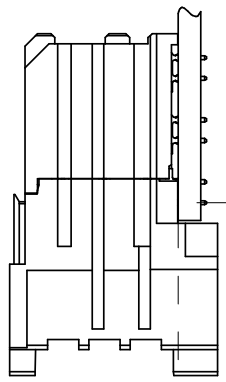
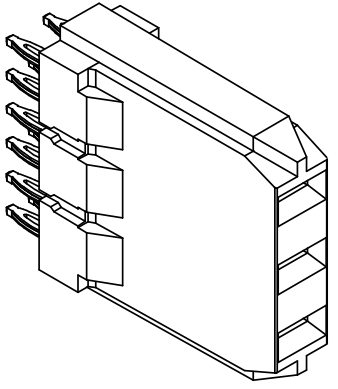
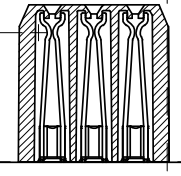


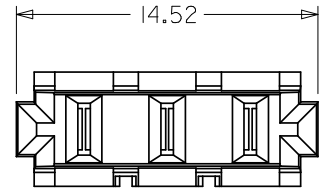
10 9 8 7 6 5 4 3 2



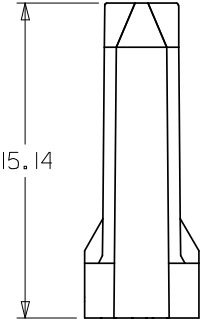
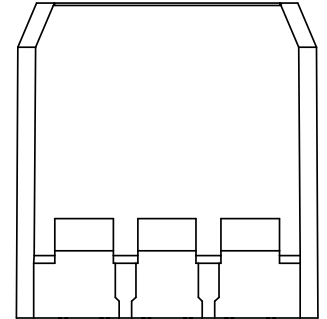
16.85 MATED



12.44 MAX.
NOTE 6
REF.



14.52



15.14

(POSITION 3)

(POSITION 2)

(POSITION 1)

SEE NOTE 8 & CHART

1.14
2.64
3.64

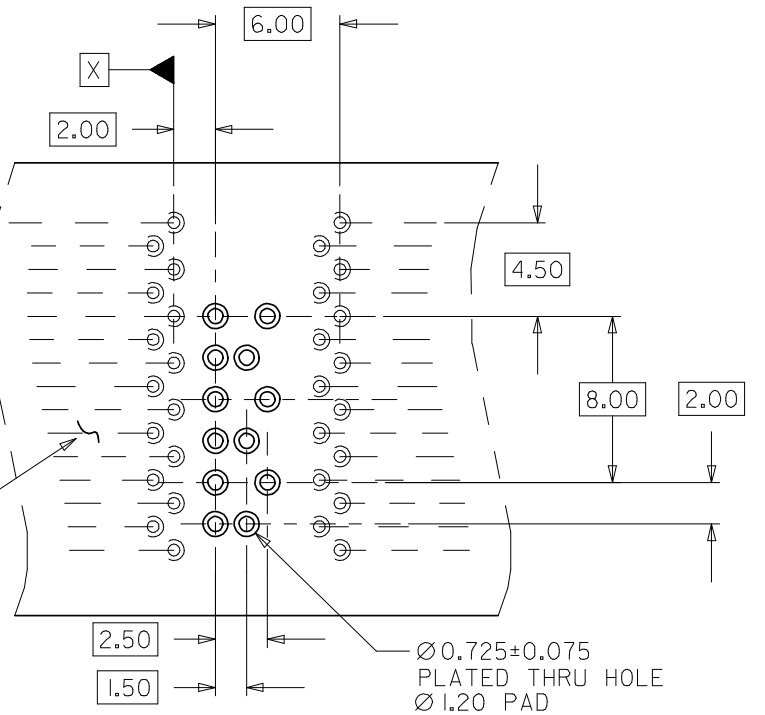
5.50
SEE NOTE 5

NOTES:

1. MATERIALS:
HOUSING - LIQUID CRYSTAL POLYMER (LCP)
UL94 V-0 RATED, COLOR: BLACK
TERMINAL - COPPER ALLOY
2. FINISH: 30 MICROINCH MIN GOLD ON MATING SURFACE;
TIN/LEAD ON TAILS; NICKEL OVERALL.
3. FINISH: 50 MICROINCH MIN GOLD ON MATING SURFACE;
TIN/LEAD ON TAILS; NICKEL OVERALL.
4. THIS PART CONFORMS TO PRODUCT SPECIFICATION
PS-74031-999.
5. USE 6.00 mm NOMINAL FOR BACKPLANE LAYOUT.
6. DIMENSION MEASURED FROM BOTTOM OF HOUSING.
7. PACKED PER PK-70873-0876.
8. CONTACT NOT PRESENT AT POSITION ON
-84** ASSEMBLIES.

SIGNAL
ROW A
X
Y

REFERENCE
SIGNAL PATTERN

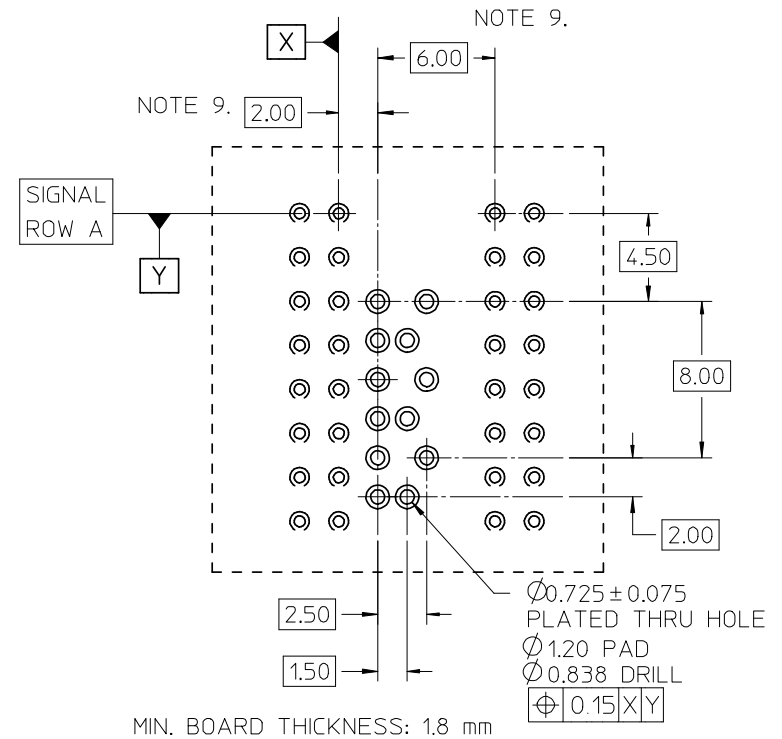
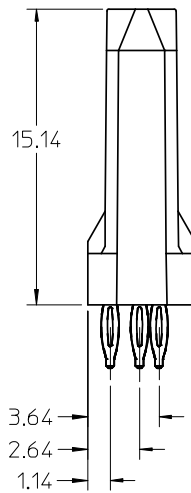
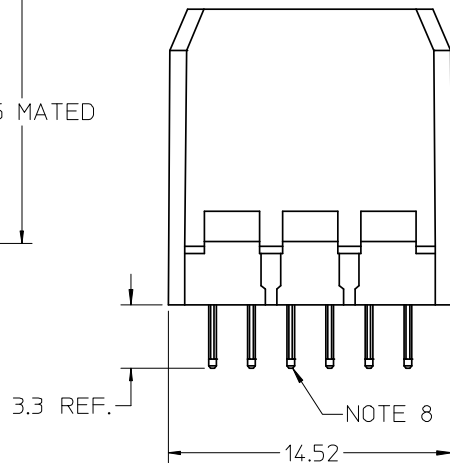
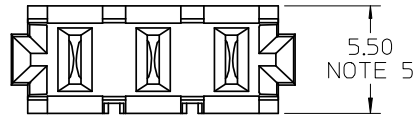
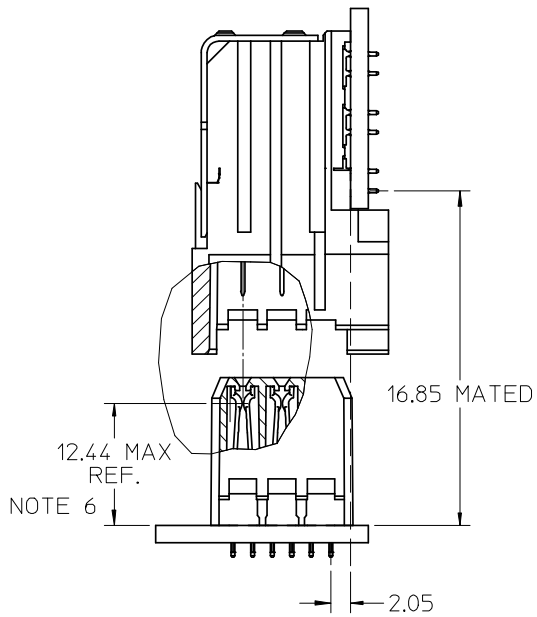


⊕ Ø 0.15 X Y

ASSEMBLY #	CONTACT PLATING	OPEN LOC.	# CONTACTS
74029-8000	SEE NOTE 2	N/A	3
74029-8050	SEE NOTE 3	N/A	
74029-8400	SEE NOTE 2	POS. 2	2
74029-8450	SEE NOTE 3	POS. 2	
74029-8401	SEE NOTE 2	POS. 1	
74029-8451	SEE NOTE 3	POS. 1	
74029-8403	SEE NOTE 2	POS. 3	
74029-8453	SEE NOTE 3	POS. 3	

REDRAWN EC NO: UCP2008-1963 DRWN: BINGHAM 2008/02/18 CHKD: BINGHAM 2008/02/18 APPR: LAURX 2008/02/18 REV	QUALITY SYMBOLS ▽=0 ▽=0	GENERAL TOLERANCES (UNLESS SPECIFIED) <table border="1"> <thead> <tr> <th></th> <th>mm</th> <th>INCH</th> </tr> </thead> <tbody> <tr> <td>4 PLACES</td> <td>±---</td> <td>±---</td> </tr> <tr> <td>3 PLACES</td> <td>±---</td> <td>±---</td> </tr> <tr> <td>2 PLACES</td> <td>±0.15</td> <td>±---</td> </tr> <tr> <td>1 PLACE</td> <td>±0.25</td> <td>±---</td> </tr> </tbody> </table> ANGULAR ±---°		mm	INCH	4 PLACES	±---	±---	3 PLACES	±---	±---	2 PLACES	±0.15	±---	1 PLACE	±0.25	±---	DIMENSION STYLE MM ONLY DRAWN BY: TELO DATE: 98/10/19 CHECKED BY: DBREARLEY DATE: 98/10/21 APPROVED BY: CBIXLER DATE: 98/10/22	SCALE NONE DESIGN UNITS METRIC THIRD ANGLE PROJECTION	TITLE VHDM POWER 8 ROW BACKPLANE SALES ASSEMBLY
		mm	INCH																	
	4 PLACES	±---	±---																	
	3 PLACES	±---	±---																	
2 PLACES	±0.15	±---																		
1 PLACE	±0.25	±---																		
DRAFT WHERE APPLICABLE MUST REMAIN WITHIN DIMENSIONS	MATERIAL NO. SEE CHART	DOCUMENT NO. SD-74029-002	SHEET NO. 1 OF 1																	
THIS DRAWING CONTAINS INFORMATION THAT IS PROPRIETARY TO MOLEX INCORPORATED AND SHOULD NOT BE USED WITHOUT WRITTEN PERMISSION																				
SIZE B																				

9 8 7 6 5 4 3 2 1



- NOTES:
- MATERIALS:
HOUSING - LIQUID CRYSTAL POLYMER (LCP)
UL94 V-0 RATED, COLOR: BLACK
TERMINAL - COPPER ALLOY
 - FINISH: 30 microINCH MIN GOLD ON MATING SURFACE;
TIN/LEAD ON TAILS; NICKEL OVERALL.
 - FINISH: 50 microINCH MIN GOLD ON MATING SURFACE;
TIN/LEAD ON TAILS; NICKEL OVERALL.
 - THIS PART CONFORMS TO PRODUCT SPECIFICATION
PS-74031-999.
 - USE 6.00 mm NOMINAL FOR BACKPLANE LAYOUT.
 - DIMENSION MEASURED FROM BOTTOM OF HOUSING.
 - PACKED PER PK-70873-0876.
 - MIDDLE CONTACT NOT PRESENT ON -84** ASSEMBLIES.
 - THIS DIMENSION TO BE MULTIPLE OF 2.00 mm AS REQUIRED.

ASSEMBLY #	CONTACT PLATING	# CONTACTS
74029-8000	SEE NOTE 2	3
74029-8050	SEE NOTE 3	3
74029-8400	SEE NOTE 2	2
74029-8450	SEE NOTE 3	2

REVISED (MINOR) EC NO: UCP2008-1963 DRWN: JINGHAM 2008/02/18 CHKD: 2008/02/18 APPR: LAURX 2008/02/18 A1	QUALITY SYMBOLS ▽ = 0 ▽ = 0	GENERAL TOLERANCES (UNLESS SPECIFIED) mm INCH 4 PLACES ± --- ± --- 3 PLACES ± --- ± --- 2 PLACES ± 0.15 ± --- 1 PLACE ± 0.25 ± --- ANGULAR ± 5 ° DRAFT WHERE APPLICABLE MUST REMAIN WITHIN DIMENSIONS	SCALE 4:1 DESIGN UNITS METRIC DIMENSION STYLE MM ONLY DRAWN BY ELO DATE 2001/10/04 CHECKED BY GORSKI DATE 2001/10/05 APPROVED BY BIXLER DATE 2001/10/08	THIRD ANGLE PROJECTION REVISE ON CAD ONLY TITLE HSD POWER 8 ROW BACKPLANE SALES ASSEMBLY MOLEX INCORPORATED MATERIAL NO. SEE CHART DOCUMENT NO. SD-74029-009 SHEET NO. 1 OF 1
	THIS DRAWING CONTAINS INFORMATION THAT IS PROPRIETARY TO MOLEX INCORPORATED AND SHOULD NOT BE USED WITHOUT WRITTEN PERMISSION			
	MOLEX INCORPORATED			
	SEE CHART SD-74029-009			