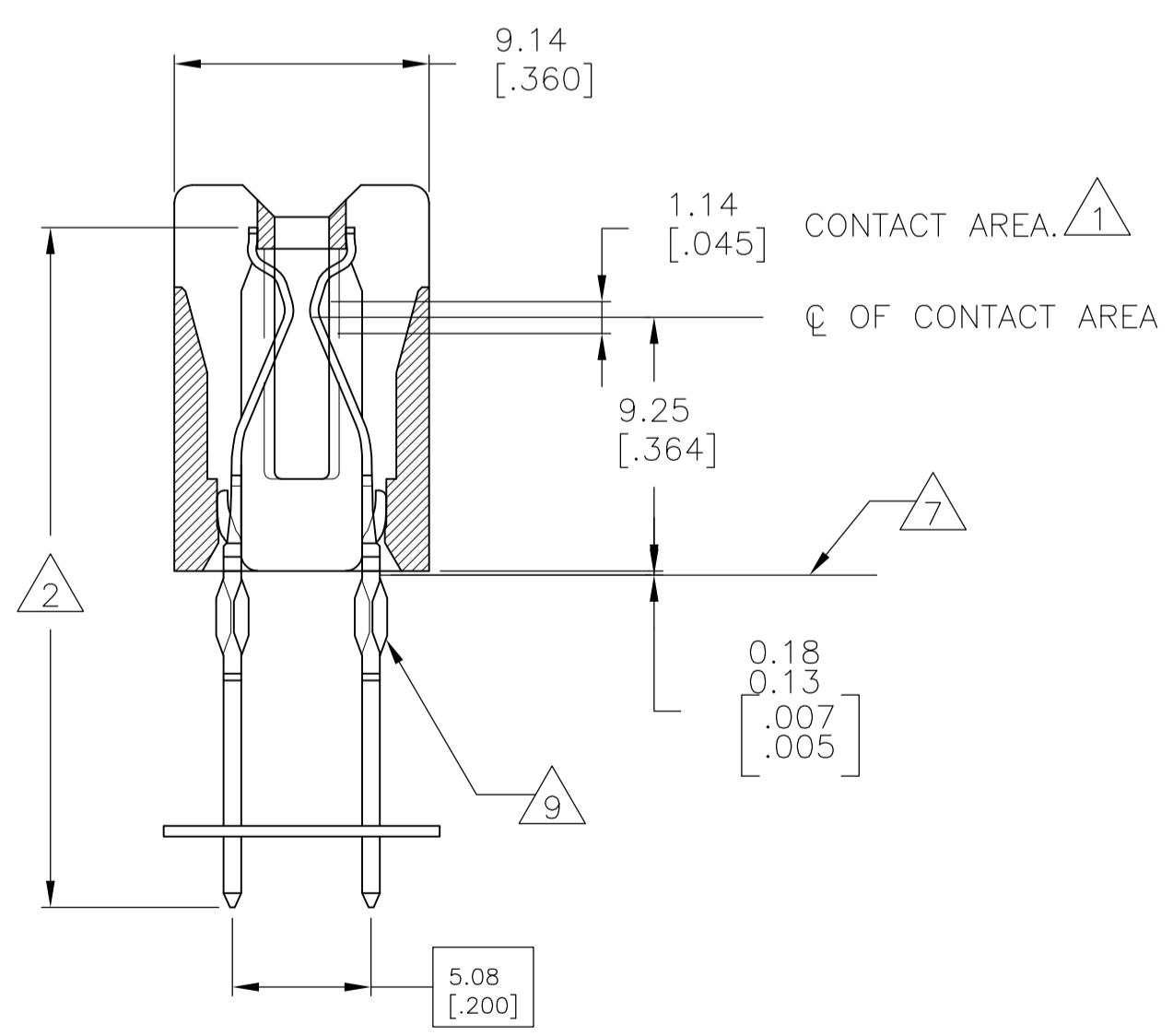
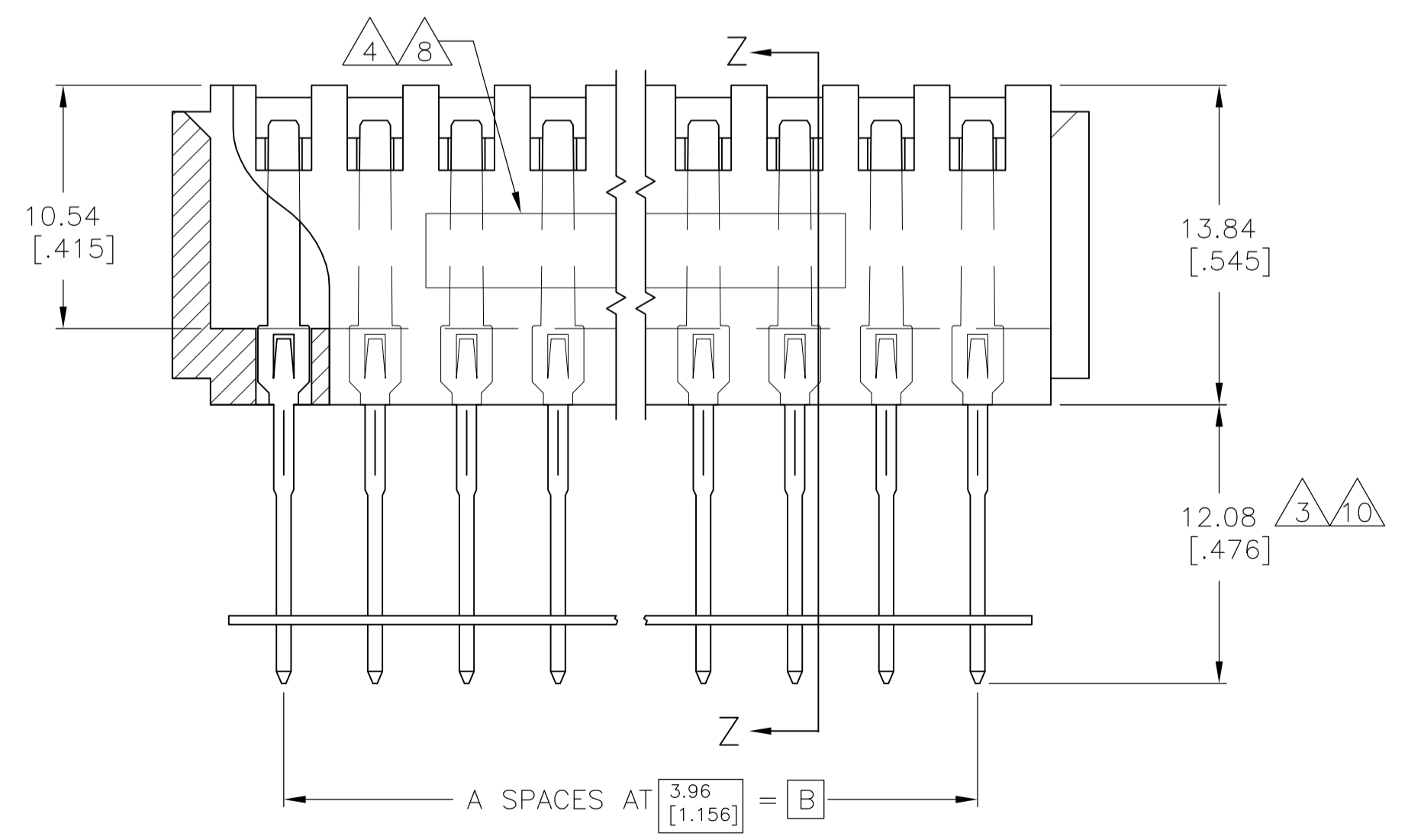
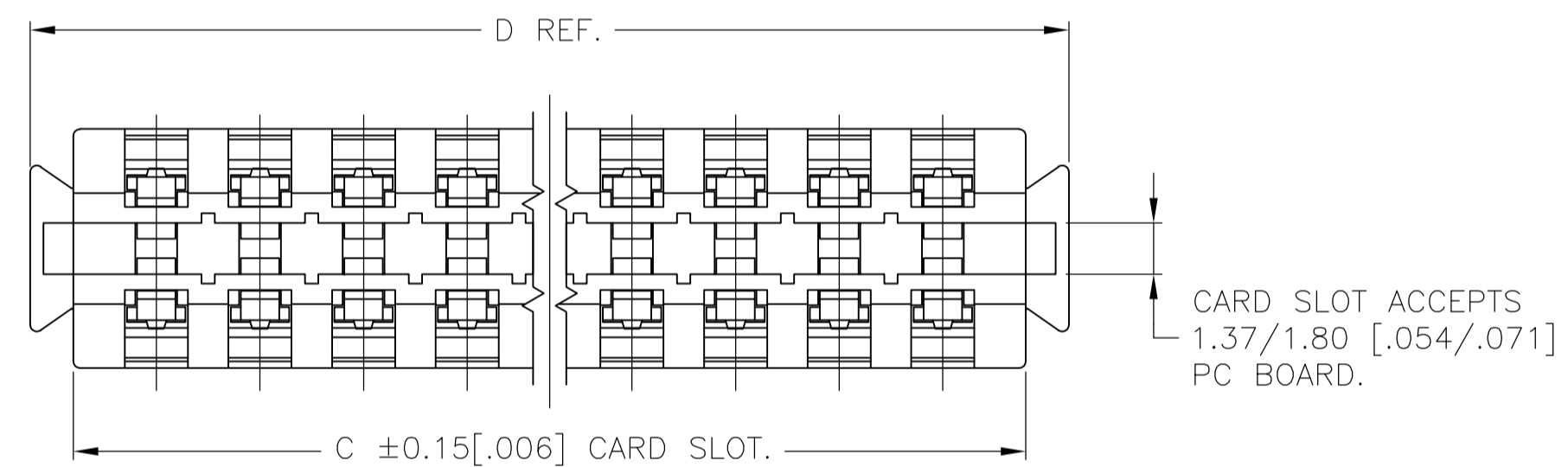


REVISONS		DATE	BY	APP'D
L	REVISED PER EC 0G3C-0205-05	28FEB06	SSK	MM
L1	REVISED PER ECO-09-020932	01SEP09	KK	AEG

- 1 GOLD PLATE .00076 [.000030] MIN. THICK.
- 2 NICKEL PL. .00127[.000050] MIN. THK. PER QQ-N-290.
- 3 SOLDER PL. .00254[.000100] MIN. THK.
- 4 STAMPED P/N & DATE CODE.
- 5. OPTIONAL: KEYING PLUG FOR INTERCONTACT KEYING IS 118982-1.
- 6. OPTIONAL: CARD GUIDE (BASE NO 117169).
- 7 TOP SURFACE OF P.C.BOARD AFTER APPLICATION DUE TO MYLAR THICKNESS.
- 8 ALL PARTS ASSEMBLED IN MEXICO MUST BE STAMPED "ASSY. IN MEXICO". THE WORD "MEXICO" CAN BE SUBSTITUTED ONLY WHERE PART SIZE PROHIBITS STAMPING "ASSY IN MEXICO", INK PER 115-9009, APPROX. WHERE SHOWN, SIDE OPTIONAL.
- 9 ACTION PIN REQUIRES 2.31[.084] MIN. THK. P.C. BOARD.

REQ'D DRILL SIZE	HOLE DIA ±.03[.001]	PLATING THICKNESS		HOLE DIAMETER		COPPER HARDNESS (KNOOP)	PAD DIA MIN.
		COPPER	TIN/LEAD	AFTER PLATING	AFTER REFLOW		
		1.15mm	1.15 [.0453]	0.03-0.08 [.001-.003]	0.008 MIN. [.0003] MIN.		
1.15mm	1.15 [.0453]	NOT PLATED THRU.					1.65 [.065]

- 10 MATTE TIN PL. .00254[.000100] MIN. THK.
- 11 OBSOLETE PARTS: OBSOLETE CIS STREAMLINING PER D.RENAUD/D.SINISI



111	177.64 [6.994]	174.34 [6.864]	166.47 [6.552]	42	43	7-119254-9
110	118.21 [4.654]	114.90 [4.524]	106.98 [4.212]	27	28	6-119254-4
109	94.44 [3.718]	91.14 [3.588]	83.21 [3.276]	21	22	5-119254-8
108	78.58 [3.094]	75.28 [2.964]	67.36 [2.652]	17	18	5-119254-4
107	66.70 [2.626]	63.39 [2.495]	55.47 [2.184]	14	15	5-119254-1
106	177.64 [6.994]	174.34 [6.864]	166.47 [6.552]	42	43	2-119254-9
105	173.68 [6.838]	170.38 [6.708]	162.45 [6.396]	41	42	2-119254-8
104	169.72 [6.682]	166.42 [6.552]	158.49 [6.240]	40	41	2-119254-7
103	165.76 [6.526]	162.45 [6.396]	154.53 [6.084]	39	40	2-119254-6
102	161.79 [6.370]	158.49 [6.240]	150.57 [5.928]	38	39	2-119254-5
101	157.83 [6.214]	154.53 [6.084]	146.60 [5.772]	37	38	2-119254-4
100	153.87 [6.058]	150.57 [5.928]	142.64 [5.616]	36	37	2-119254-3
99	149.91 [5.902]	146.60 [5.772]	138.68 [5.460]	35	36	2-119254-2
98	145.94 [5.746]	142.64 [5.616]	134.72 [5.304]	34	35	2-119254-1
97	141.99 [5.590]	138.68 [5.460]	130.76 [5.148]	33	34	2-119254-0
96	138.02 [5.434]	134.72 [5.304]	126.79 [4.992]	32	33	1-119254-9
95	134.06 [5.278]	130.76 [5.148]	122.83 [4.836]	31	32	1-119254-8
94	130.10 [5.122]	126.79 [4.992]	118.87 [4.680]	30	31	1-119254-7
93	126.13 [4.966]	122.83 [4.836]	114.90 [4.524]	29	30	1-119254-6
92	122.17 [4.810]	118.87 [4.680]	110.94 [4.368]	28	29	1-119254-5
91	118.21 [4.654]	114.90 [4.524]	106.98 [4.212]	27	28	1-119254-4
90	114.24 [4.498]	110.94 [4.368]	103.02 [4.056]	26	27	1-119254-3
89	110.28 [4.342]	106.98 [4.212]	99.06 [3.900]	25	26	1-119254-2
88	106.32 [4.186]	103.98 [4.056]	95.09 [3.744]	24	25	1-119254-1
87	102.36 [4.020]	99.06 [3.900]	91.14 [3.588]	23	24	1-119254-0
86	98.39 [3.874]	95.09 [3.744]	87.17 [3.432]	22	23	119254-9
85	94.44 [3.718]	91.14 [3.588]	83.21 [3.276]	21	22	119254-8
84	90.47 [3.562]	87.17 [3.432]	79.25 [3.120]	20	21	119254-7
83	86.51 [3.406]	83.21 [3.276]	75.28 [2.964]	19	20	119254-6
82	82.55 [3.250]	79.25 [3.120]	71.32 [2.808]	18	19	119254-5
81	78.58 [3.094]	75.28 [2.964]	67.36 [2.652]	17	18	119254-4
80	74.63 [2.938]	71.32 [2.808]	63.39 [2.496]	16	17	119254-3
79	70.66 [2.782]	67.36 [2.652]	59.44 [2.340]	15	16	119254-2
78	66.70 [2.626]	63.39 [2.495]	55.47 [2.184]	14	15	119254-1

THIS DRAWING IS A CONTROLLED DOCUMENT. DIMENSIONS: mm [INCHES]. TOLERANCES UNLESS OTHERWISE SPECIFIED: 0 PLC ± .01, 1 PLC ± .02, 2 PLC ± .03, 3 PLC ± .04, 4 PLC ± .05 [010]. ANGLES: ± .1.

DRAWN: R.L. LEHR 10-FEB-93. CHECKED: H. ROSE 7/8/94. APVD: H. ROSE 7/8/94. NAME: Tyco Electronics Corporation, Harrisburg, Pa 17105-3608. PRODUCT SPEC: CONNECTOR, AMP PACE .156x.200. APPLICATION SPEC: ---. MATERIAL: HOUSING: VALOX 420 SED, BLACK; CONTACTS: COPPER NICKEL; STRIP: MYLAR, CLEAR. FINISH: 1 2 3 10. WEIGHT: ---. SIZE: A1. CAGE CODE: 00779. DRAWING NO: 119254. RESTRICTED TO: ---. CUSTOMER DRAWING. SCALE: 4:1. SHEET: 1 OF 1. REV: 1.