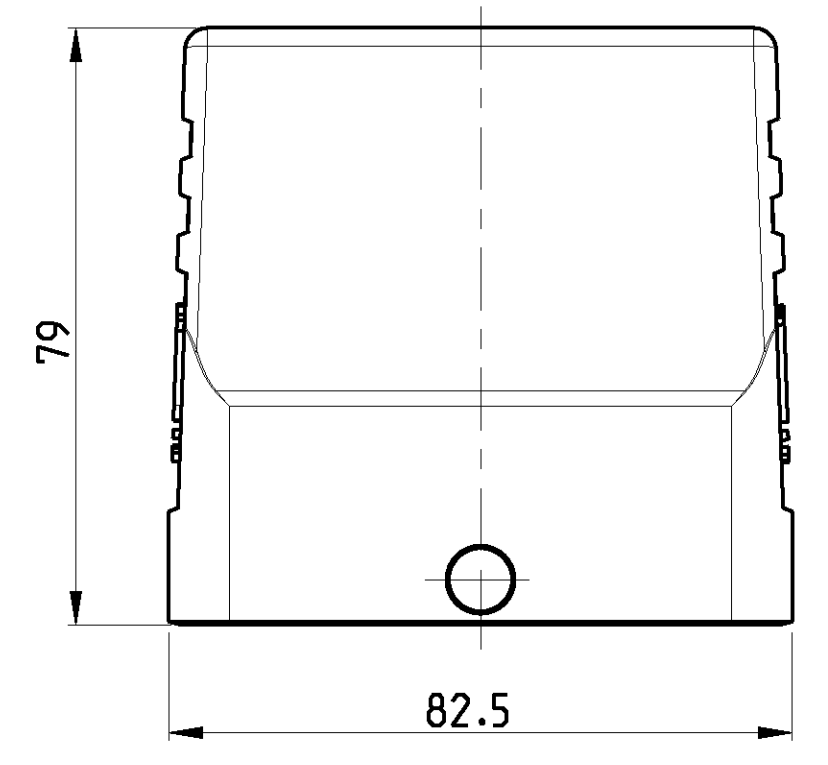
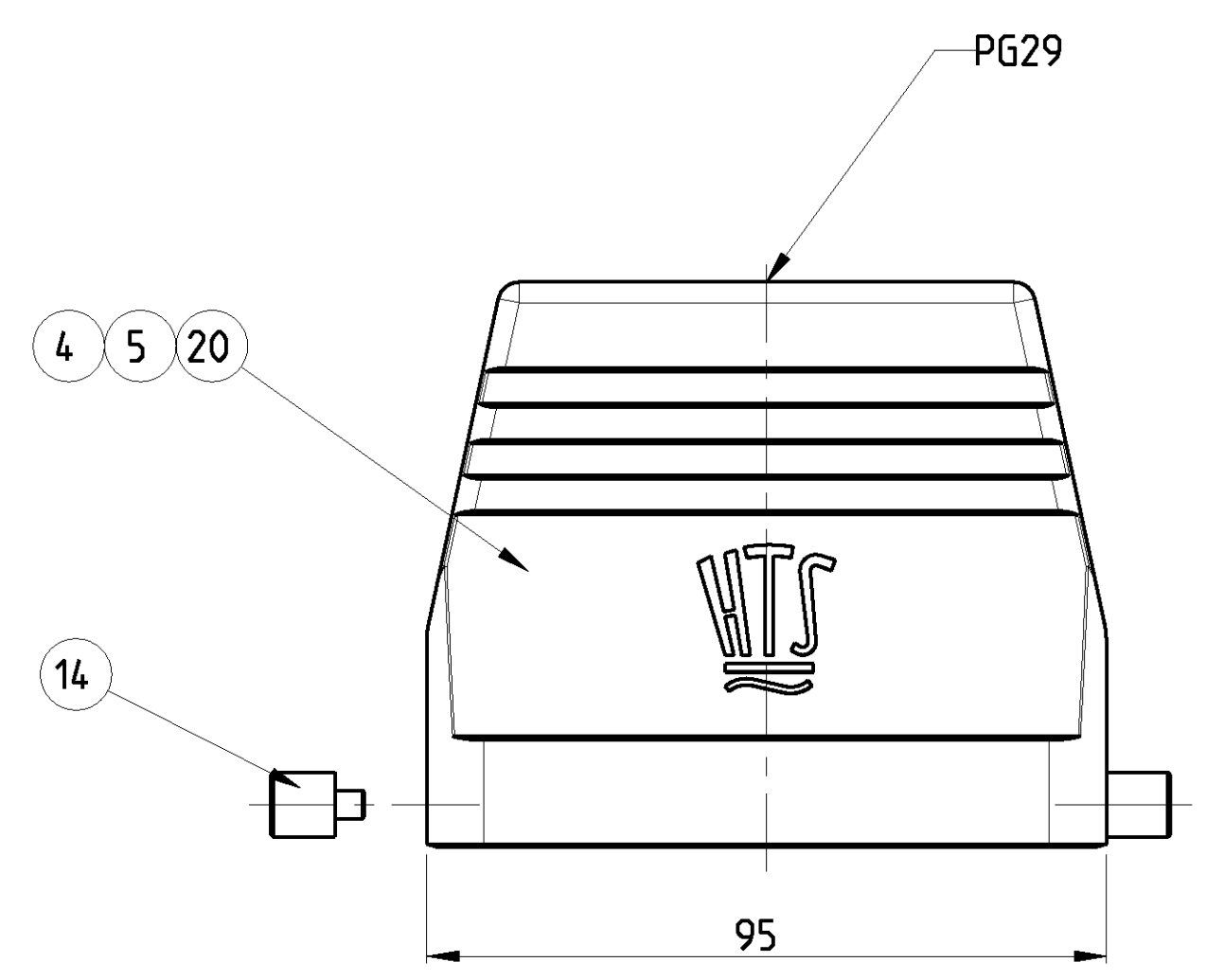
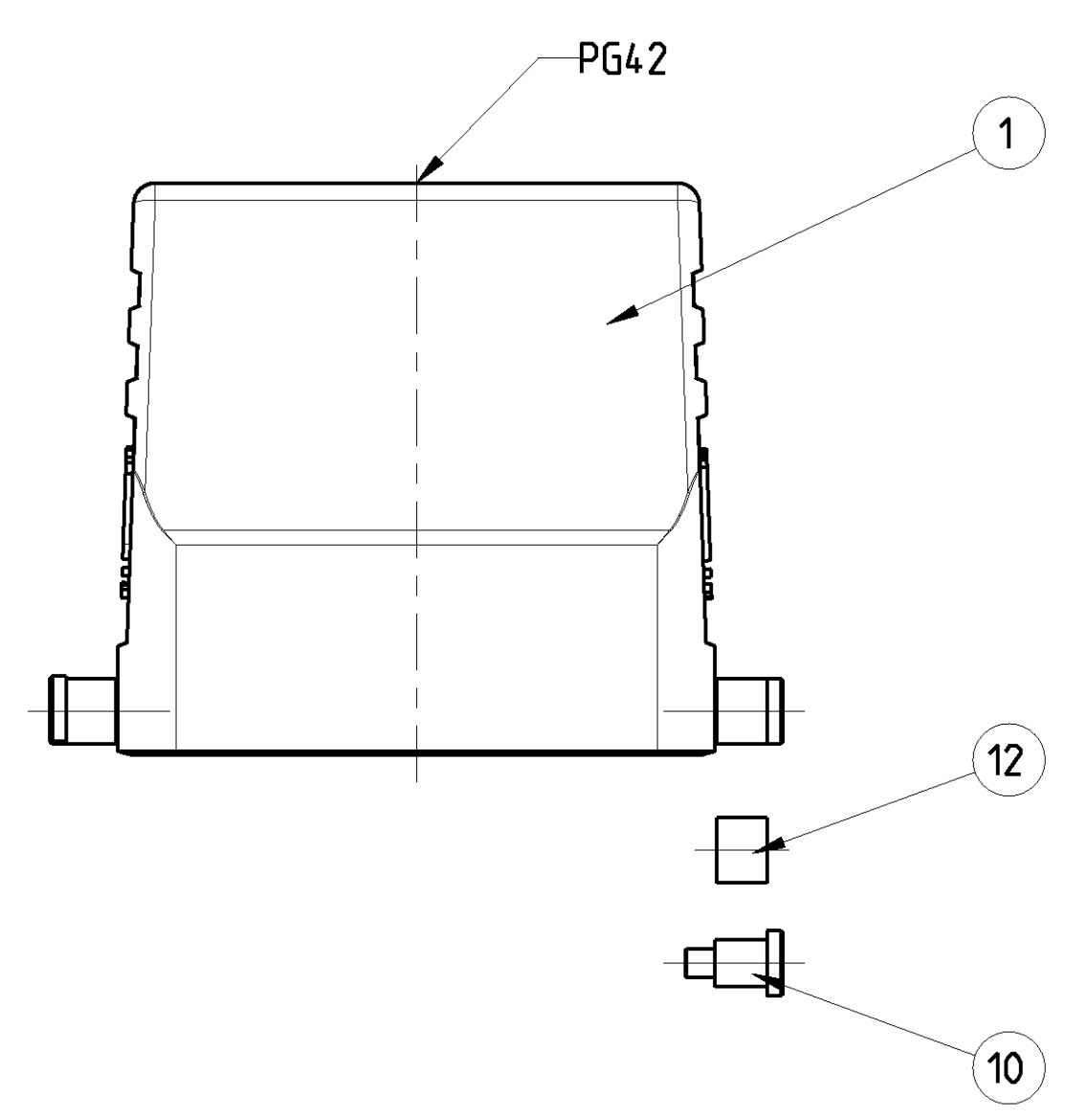
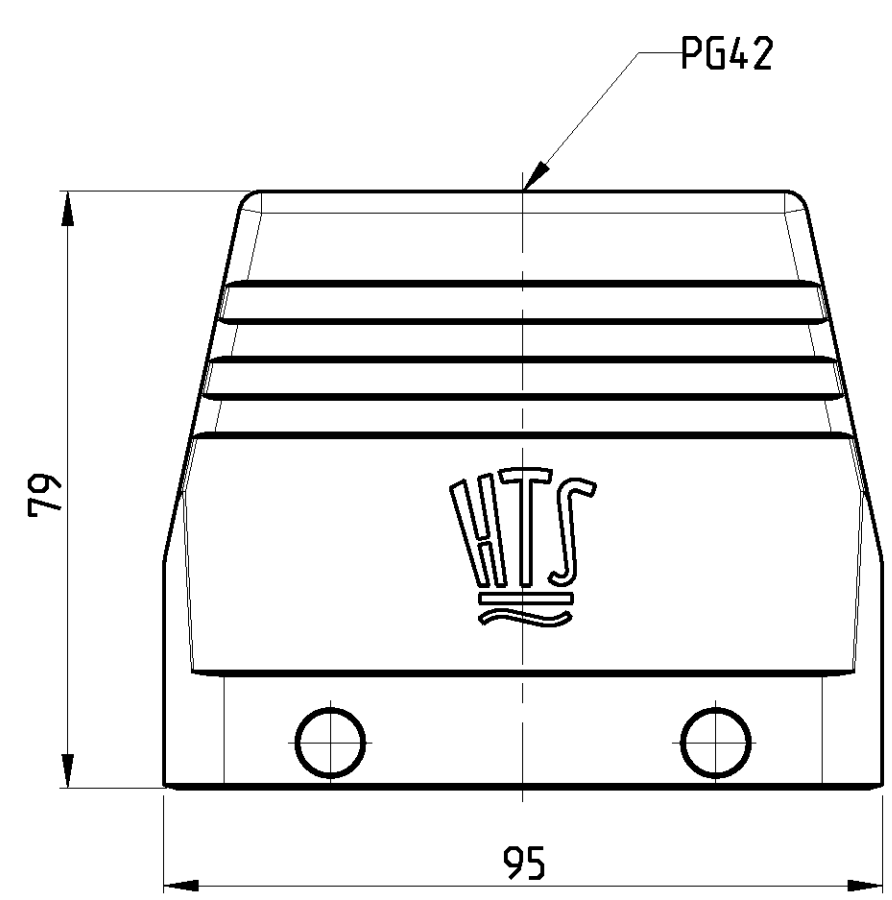
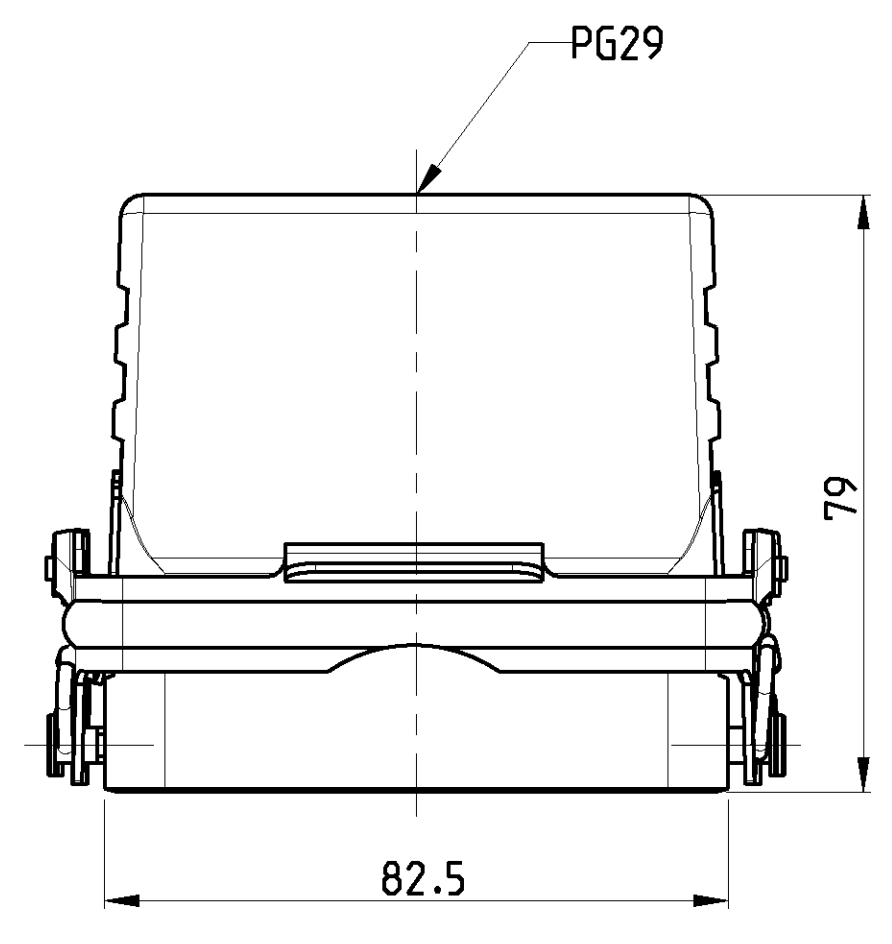
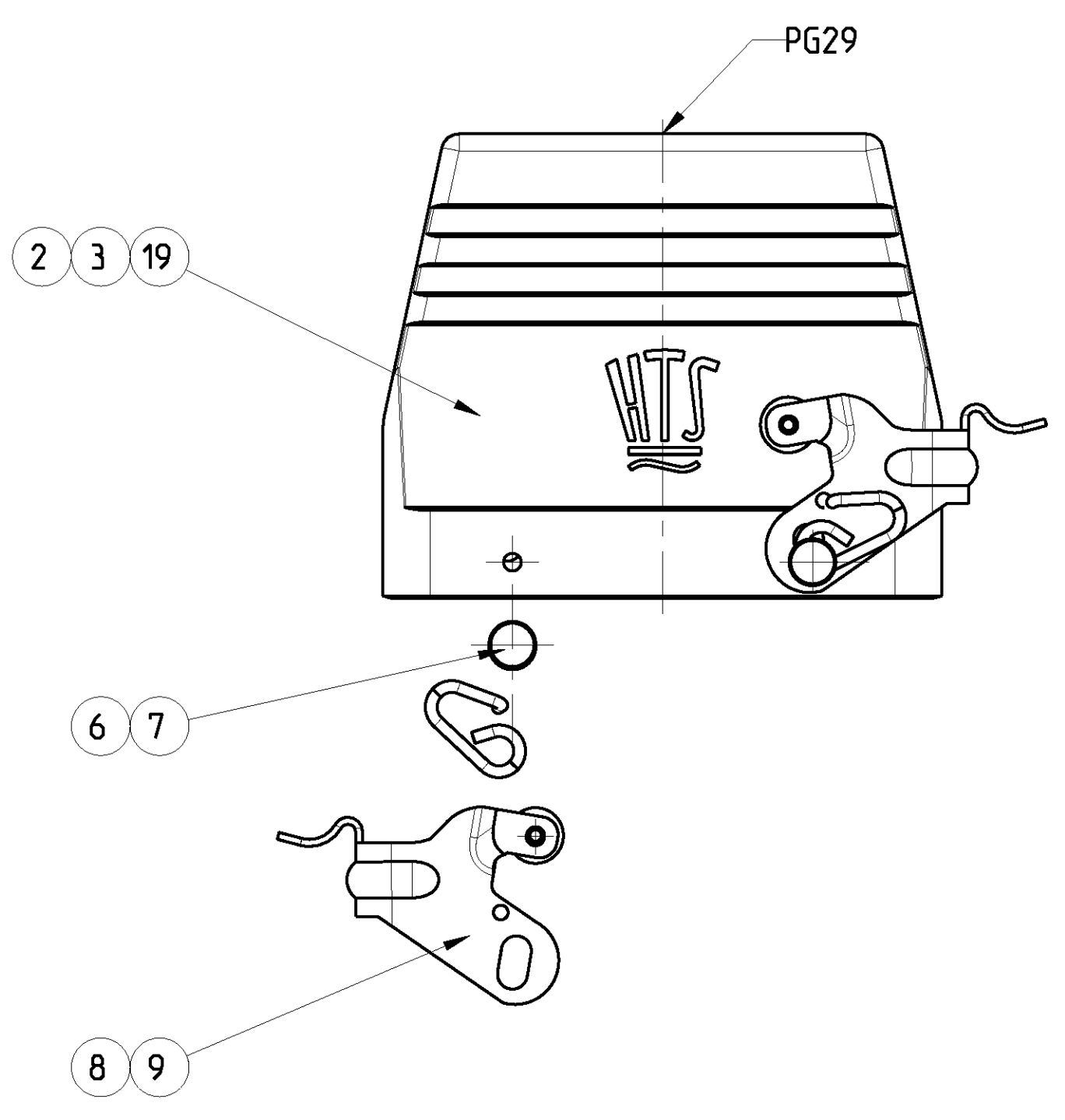


LOC	DIST	REV	LYR	DESCRIPTION	DATE	DWN	APVD
A1	-	C1		ECR-09-023246	12MAY2009	SR	AR
		C2		ECR-10-007735	24AUG10	RK	SRE



- NOTES
- PART SHALL BE FREE AND CLEAN OF BURRS AND OTHER FOREIGN MATERIAL
 - PACKAGING: QUANTITY 3 PIECES
 - VARNISHING INSIDE HOUSING NOT REQUIRED

QTY	DESCRIPTION	MATERIAL	SURFACE	COLORE	ITEM	NOTES
1	HOOD	STEEL	ZINC PLATED	BLUE	20	
1	HOOD	STAINLESS STEEL	BLANC		19	
2	CLIP SPRING RIGHT	STEEL	ZINC PLATED	BLUE	18	
2	CLIP SPRING LEFT	STEEL	ZINC PLATED	BLUE	17	
2	CLIP SPRING LEFT	STAINLESS STEEL	BLANC		16	
2	CLIP SPRING LEFT	STEEL	ZINC PLATED	BLUE	15	
2	CLIP BOLT LB	STAINLESS STEEL	BLANC		14	
4	CLIP BOLT VS	STEEL	ZINC PLATED	BLUE	13	
2	SLIDE SPOOL	STAINLESS STEEL	BLANC		12	
2	CLIP BOLT	STAINLESS STEEL	BLANC		11	
2	CLIP BOLT	STAINLESS STEEL	BLANC		10	
2	LOCKING CLIP	STEEL	ZINC PLATED	BLUE	9	
2	LOCKING CLIP	STEEL	ZINC PLATED	BLUE	8	
2	CLIP POSITIONER				7	
2	CLIP POSITIONER				6	
1	HOOD	ALUMINIUM	ALUMINIUM OXID	BLACK	5	NEUTRAL
1	HOOD	ALUMINIUM		GREY	4	
1	HOOD	ALUMINIUM	ALUMINIUM OXID	BLACK	3	
1	HOOD	ALUMINIUM		GREY	2	NEUTRAL
1	HOOD	ALUMINIUM		GREY	1	
0-3	DESCRIPTION	MATERIAL	SURFACE	COLORE	ITEM	NOTES
0-3	HB.32.STO.1.42.G					
0-2	HB.32.STO-VS.1.29.G					
2-7	HB-K.32.STO-VS-1.29.G					
1-7	HB.32.STO.1.29.G					
2-6	HB-K.32.STO.1.29.G					
1-6	HB.32.STO-GR.1.29.G					
2-1	HB-K.32.STO-GR.1.29.G					
1-1	HB.32.ST					
0-1	HB.32-ST-GR					