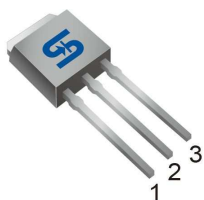


TO-251
(IPAK)



TO-252
(DPAK)



Pin Definition:

1. Gate
2. Drain
3. Source

PRODUCT SUMMARY

V_{DS} (V)	$R_{DS(on)}$ (Ω)	I_D (A)
500	0.85 @ $V_{GS}=10V$	7.2

Features

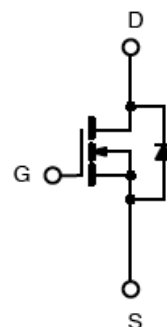
- Low On-Resistance.
- High power and current handling capability.

Ordering Information

Part No.	Package	Packing
TSM8N50CH C5G	TO-251	75pcs / Tube
TSM8N50CP ROG	TO-252	2.5Kpcs / 13" Reel

Note: "G" denotes for Halogen Free

Block Diagram



N-Channel MOSFET

Absolute Maximum Rating ($T_C = 25^\circ C$ unless otherwise noted)

Parameter	Symbol	Limit	Unit	
Drain-Source Voltage	V_{DS}	500	V	
Gate-Source Voltage	V_{GS}	± 30	V	
Continuous Drain Current	I_D	$T_C = 25^\circ C$	7.2	A
		$T_C = 100^\circ C$	4.3	A
Pulsed Drain Current ^(Note 1)	I_{DM}	28.8	A	
Single Pulse Avalanche Energy ^(Note 2)	E_{AS}	181	mJ	
Total Power Dissipation @ $T_C = 25^\circ C$	P_{TOT}	89	W	
Operating Junction Temperature	T_J	150	$^\circ C$	
Storage Temperature Range	T_{STG}	-55 to +150	$^\circ C$	

Note1: Repetitive Rating : Pulse width limited by maximum junction temperature.

Note2: $L=7mH$, $I_{AS} = 8A$, $V_{DD} = 50V$, $V_{DS} = 200V$, Starting $T_J = 25^\circ C$

Thermal Performance

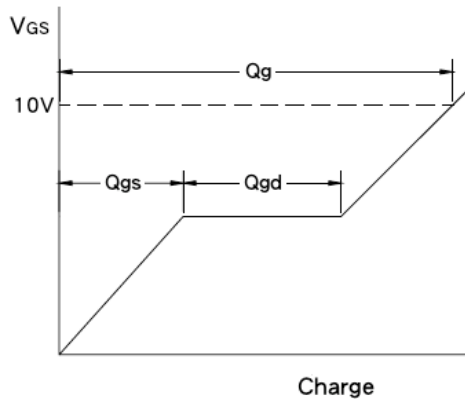
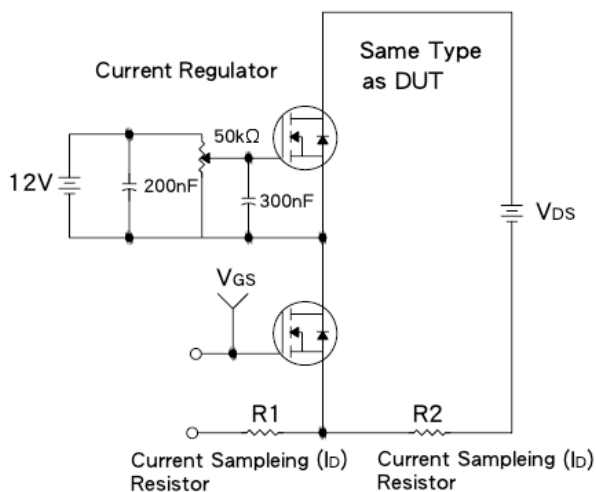
Parameter	Symbol	Limit	Unit
Thermal Resistance - Junction to Case	$R_{\theta_{JC}}$	1.4	$^\circ C/W$
Thermal Resistance - Junction to Ambient	$R_{\theta_{JA}}$	50	

Electrical Specifications (T_c = 25°C unless otherwise noted)

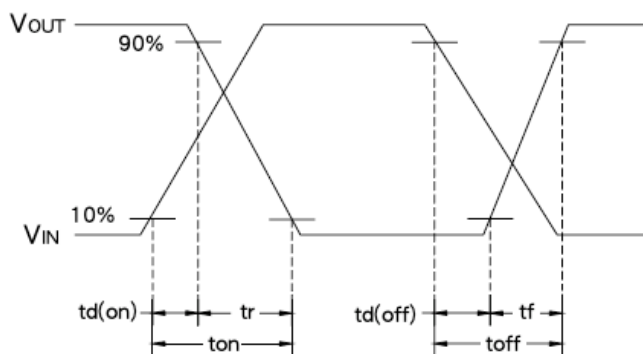
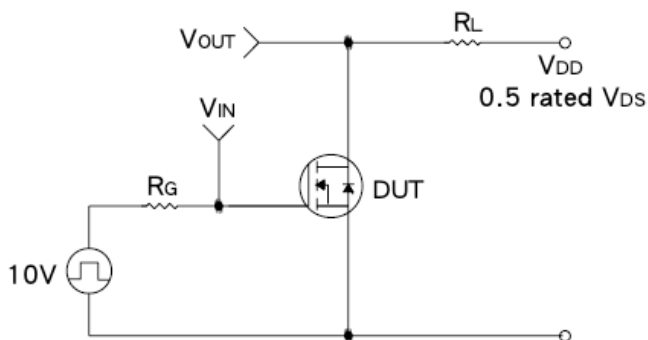
Parameter	Conditions	Symbol	Min	Typ	Max	Unit
Static						
Drain-Source Breakdown Voltage	V _{GS} = 0V, I _D = 250uA	BV _{DSS}	500	--	--	V
Drain-Source On-State Resistance	V _{GS} = 10V, I _D = 3.6A	R _{DS(ON)}	--	0.7	0.85	Ω
Gate Threshold Voltage	V _{DS} = V _{GS} , I _D = 250uA	V _{GS(TH)}	2.0	3.0	4.0	V
Zero Gate Voltage Drain Current	V _{DS} = 500V, V _{GS} = 0V	I _{DSS}	--	--	1	uA
Gate Body Leakage	V _{GS} = ±30V, V _{DS} = 0V	I _{GSS}	--	--	±100	nA
Dynamic (Note a)						
Total Gate Charge	V _{DD} = 400V, I _D = 7A, V _{GS} = 10V	Q _g	--	26.6	--	nC
Gate-Source Charge		Q _{gs}	--	5.4	--	
Gate-Drain Charge		Q _{gd}	--	6.82	--	
Input Capacitance	V _{DS} = 25V, V _{GS} = 0V, f = 1.0MHz	C _{iss}	--	1595	--	pF
Output Capacitance		C _{oss}	--	127.4	--	
Reverse Transfer Capacitance		C _{rss}	--	14.5	--	
Switching (Note a)						
Turn-On Delay Time	V _{GS} = 10V, I _D = 7A, V _{DD} = 250V, R _{GEN} = 9.1Ω	t _{d(on)}	--	22	--	nS
Turn-On Rise Time		t _r	--	6.8	--	
Turn-Off Delay Time		t _{d(off)}	--	42	--	
Turn-Off Fall Time		t _f	--	4.8	--	
Source-Drain Diode Ratings and Characteristic						
Source Current		I _S	--	--	7	A
Diode Forward Voltage	I _S = 7A, V _{GS} = 0V	V _{SD}	--	--	1.5	V

Note a: Pulse Test : Pulse Width < 300μs, Duty Cycle < 2%.

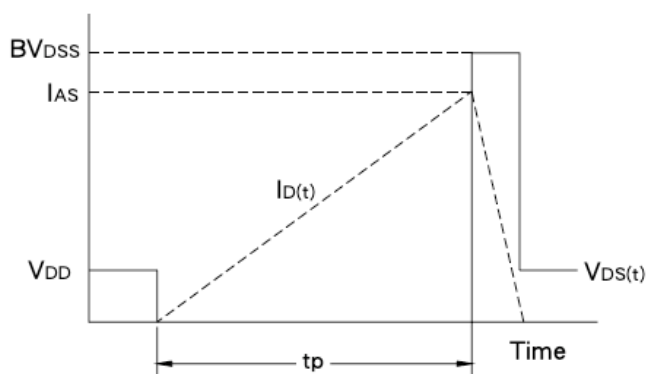
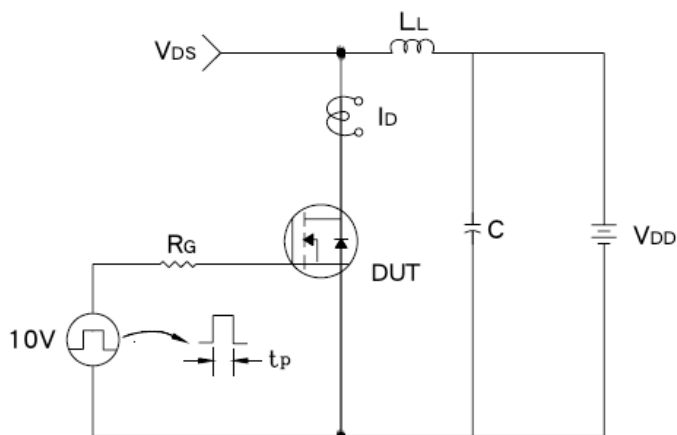
Gate Charge Test Circuit & Waveform



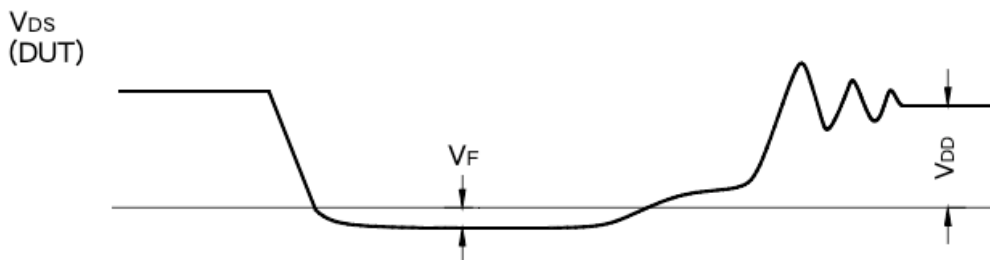
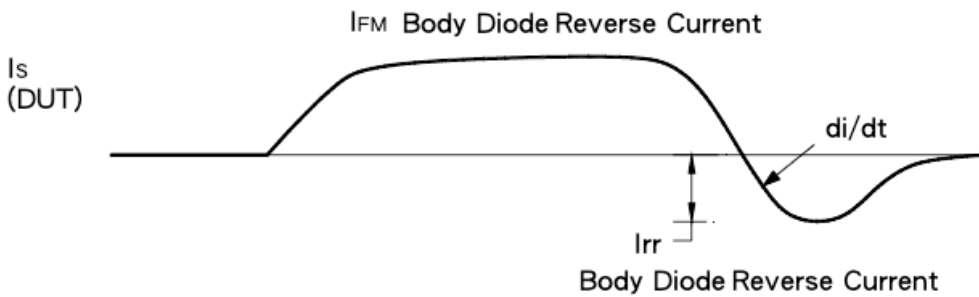
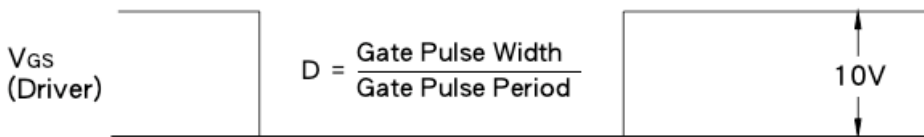
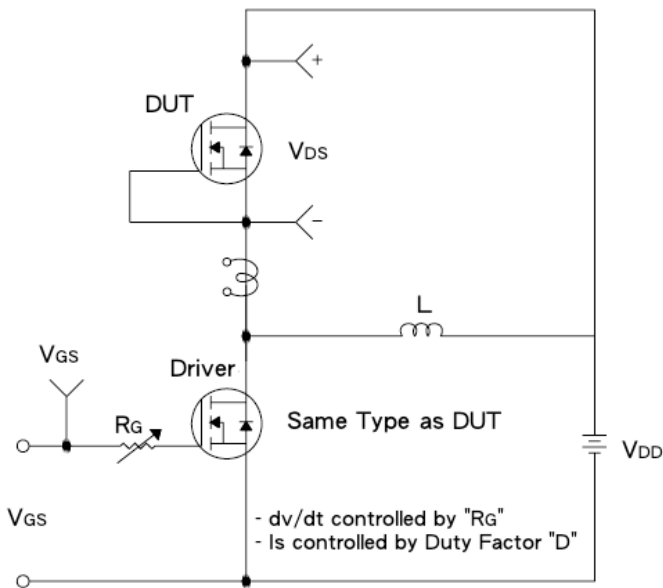
Resistive Switching Test Circuit & Waveform



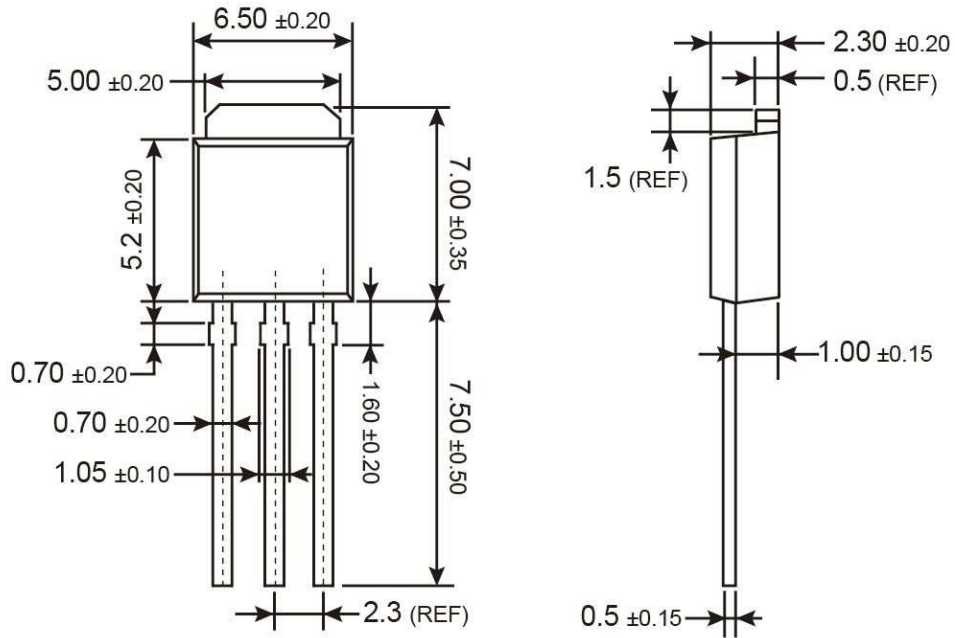
EAS Test Circuit & Waveform



Diode Reverse Recovery Time Test Circuit & Waveform

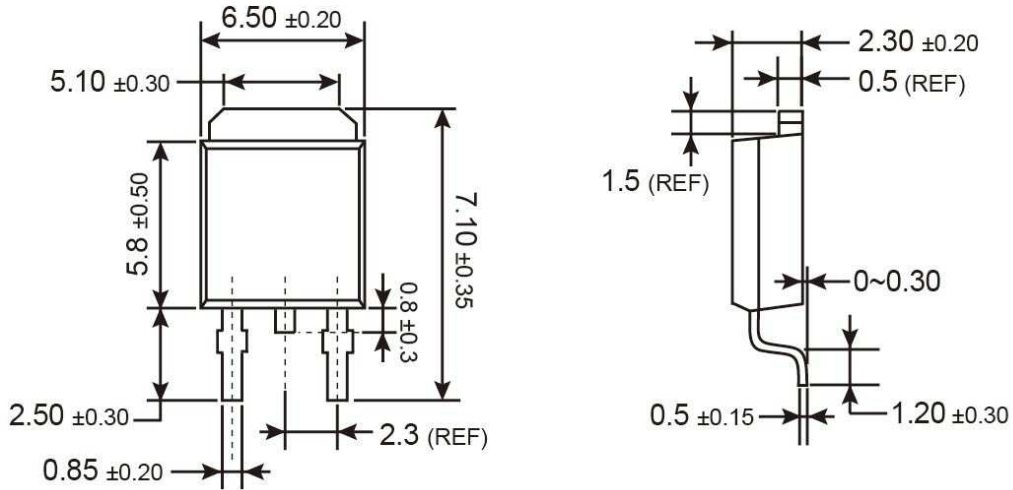


TO-251 Mechanical Drawing



Unit: Millimeters

TO-252 Mechanical Drawing



Unit: Millimeters

Notice

Specifications of the products displayed herein are subject to change without notice. TSC or anyone on its behalf, assumes no responsibility or liability for any errors or inaccuracies.

Information contained herein is intended to provide a product description only. No license, express or implied, to any intellectual property rights is granted by this document. Except as provided in TSC's terms and conditions of sale for such products, TSC assumes no liability whatsoever, and disclaims any express or implied warranty, relating to sale and/or use of TSC products including liability or warranties relating to fitness for a particular purpose, merchantability, or infringement of any patent, copyright, or other intellectual property right.

The products shown herein are not designed for use in medical, life-saving, or life-sustaining applications. Customers using or selling these products for use in such applications do so at their own risk and agree to fully indemnify TSC for any damages resulting from such improper use or sale.