

TLE 6250

High Speed CAN-Transceiver

Automotive Power



Never stop thinking.

Edition 2004-04-15

**Published by Infineon Technologies AG,
St.-Martin-Strasse 53,
81669 München, Germany**

**© Infineon Technologies AG 2004.
All Rights Reserved.**

Attention please!

The information herein is given to describe certain components and shall not be considered as a guarantee of characteristics.

Terms of delivery and rights to technical change reserved.

We hereby disclaim any and all warranties, including but not limited to warranties of non-infringement, regarding circuits, descriptions and charts stated herein.

Information

For further information on technology, delivery terms and conditions and prices please contact your nearest Infineon Technologies Office (www.infineon.com).

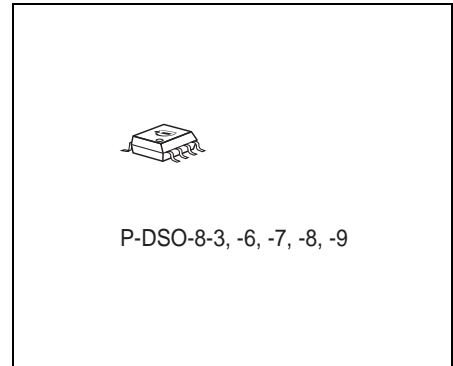
Warnings

Due to technical requirements components may contain dangerous substances. For information on the types in question please contact your nearest Infineon Technologies Office.

Infineon Technologies Components may only be used in life-support devices or systems with the express written approval of Infineon Technologies, if a failure of such components can reasonably be expected to cause the failure of that life-support device or system, or to affect the safety or effectiveness of that device or system. Life support devices or systems are intended to be implanted in the human body, or to support and/or maintain and sustain and/or protect human life. If they fail, it is reasonable to assume that the health of the user or other persons may be endangered.

Features

- CAN data transmission rate up to 1 MBaud
- Receive-only Mode and Stand-by Mode
- Suitable for 12 V and 24 V applications
- Excellent EMC performance (very high immunity and very low emission)
- Version for 5 V and 3.3 V microcontrollers
- Bus pins are short circuit proof to ground and battery voltage
- Overtemperature protection
- Very wide temperature range (-40 °C up to 150 °C)



Description

The HS CAN-transceiver family TLE 6250 (TLE 6250 G and TLE 6250 GV33) are monolithic integrated circuits that are available as bare die as well as in a P-DSO-8-3 package. The ICs are optimized for high speed differential mode data transmission in automotive and industrial applications and they are compatible to ISO/DIS 11898. They work as an interface between the CAN protocol controller and the physical differential bus in both, 12 V and 24 V systems.

The ICs are based on the **Smart Power Technology SPT®** which allows bipolar and CMOS control circuitry in accordance with DMOS power devices existing on the same monolithic circuit. The TLE 6250 G is designed to withstand the severe conditions of automotive applications and provides excellent EMC performance.

Note: There are two versions available (refer to next page).

Type	Ordering Code	Package
TLE 6250 G	Q67006-A9427	P-DSO-8-3
TLE 6250 C	Q67000-A9594	(chip)
TLE 6250 GV33	Q67006-A9523	P-DSO-8-3
TLE 6250 CV33	Q67000-A9538	(chip)

TLE 6250 G

5 V logic I/O version: RxD, TxD, INH, RM. Two Control pins (RM, INH) and 3 operation modes: Normal Mode, Stand-by Mode and Receive Only Mode.

TLE 6250 GV33

3.3 V logic I/O version (logic I/O voltage adaptive to V_{33} pin within the range 3.3 V to 5 V): RxD, TxD, INH. One control pin (INH) and two operation modes: Normal Mode and Standby Mode.

Pin Configuration

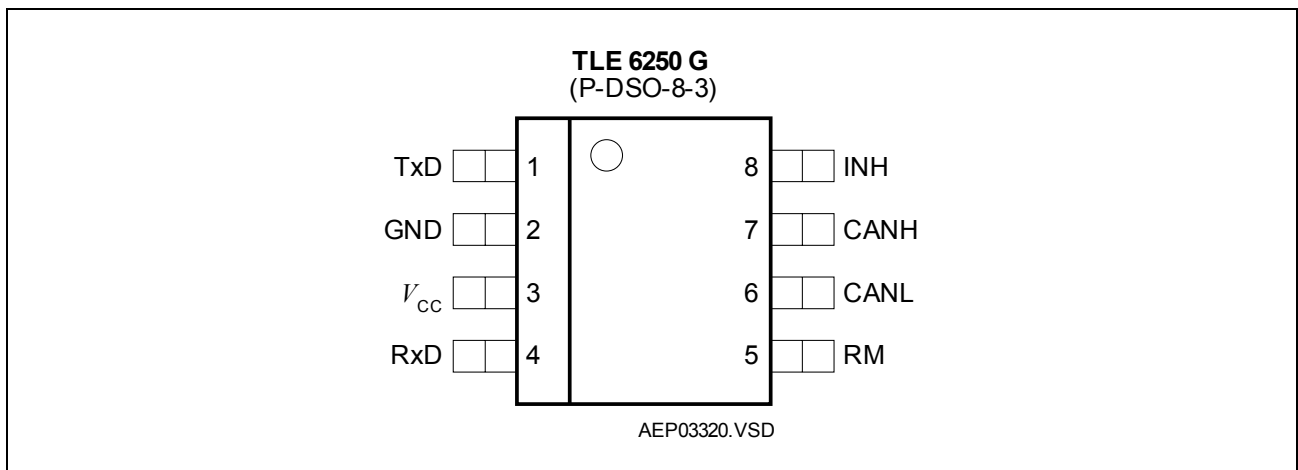


Figure 1 Pin Configuration TLE 6250 G (top view)

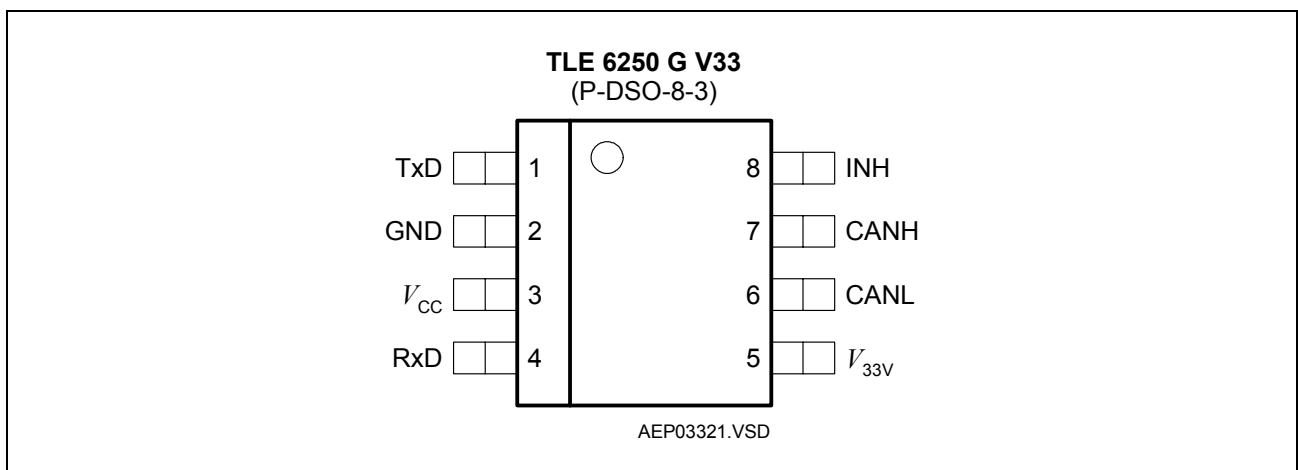


Figure 2 Pin Configuration TLE 6250 GV33 (top view)

Table 1 Pin Definitions and Functions TLE 6250 G

Pin No.	Symbol	Function
1	TxD	CAN transmit data input ; 20 k Ω pull-up, LOW in dominant state
2	GND	Ground
3	V _{CC}	5 V Supply input
4	RxD	CAN receive data output ; LOW in dominant state, integrated pull-up
5	RM	Receive-only input ; control input, 20 k Ω pull-up, set low to activate RxD-only mode
6	CANL	Low line I/O ; LOW in dominant state
7	CANH	High line I/O ; HIGH in dominant state
8	INH	Inhibit Input ; control input, 20 k Ω pull, set LOW for normal mode

Table 2 Pin Definitions and Functions TLE 6250 GV33

Pin No.	Symbol	Function
1	TxD	CAN transmit data input ; 20 k Ω pull-up, LOW in dominant state
2	GND	Ground
3	V _{CC}	5 V Supply input
4	RxD	CAN receive data output ; LOW in dominant state, integrated pull-up
5	V _{33V}	Logic supply input; 3.3 V OR 5 V microcontroller logic supply can be connected here! The digital I/Os of the TLE 6250 GV33 adopt to the connected microcontroller logic supply at V _{33V}
6	CANL	Low line I/O ; LOW in dominant state
7	CANH	High line I/O ; HIGH in dominant state
8	INH	Inhibit Input ; control input, 20 k Ω pull, set LOW for normal mode

Functional Block Diagram

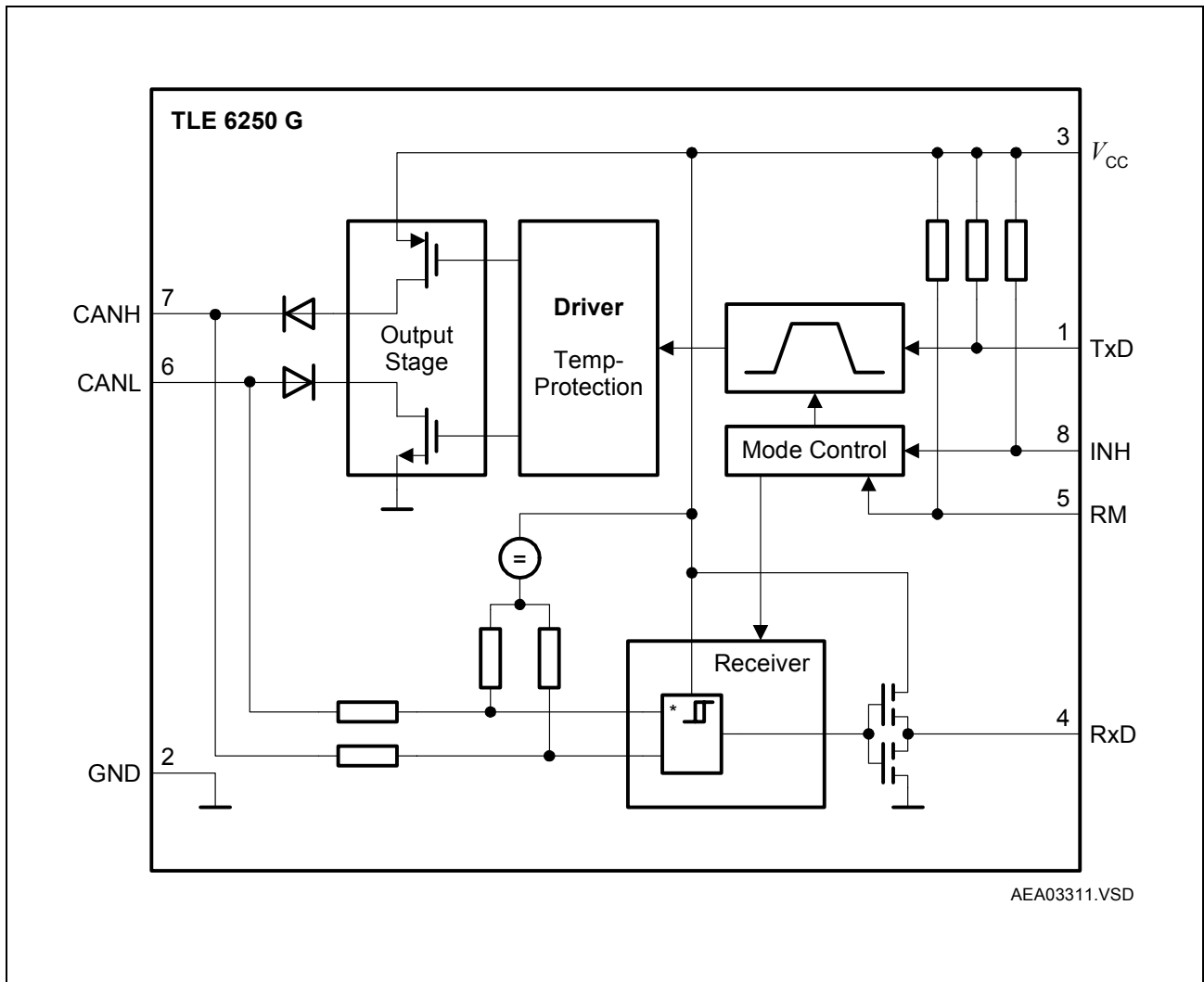


Figure 3 Block Diagram TLE 6250 G

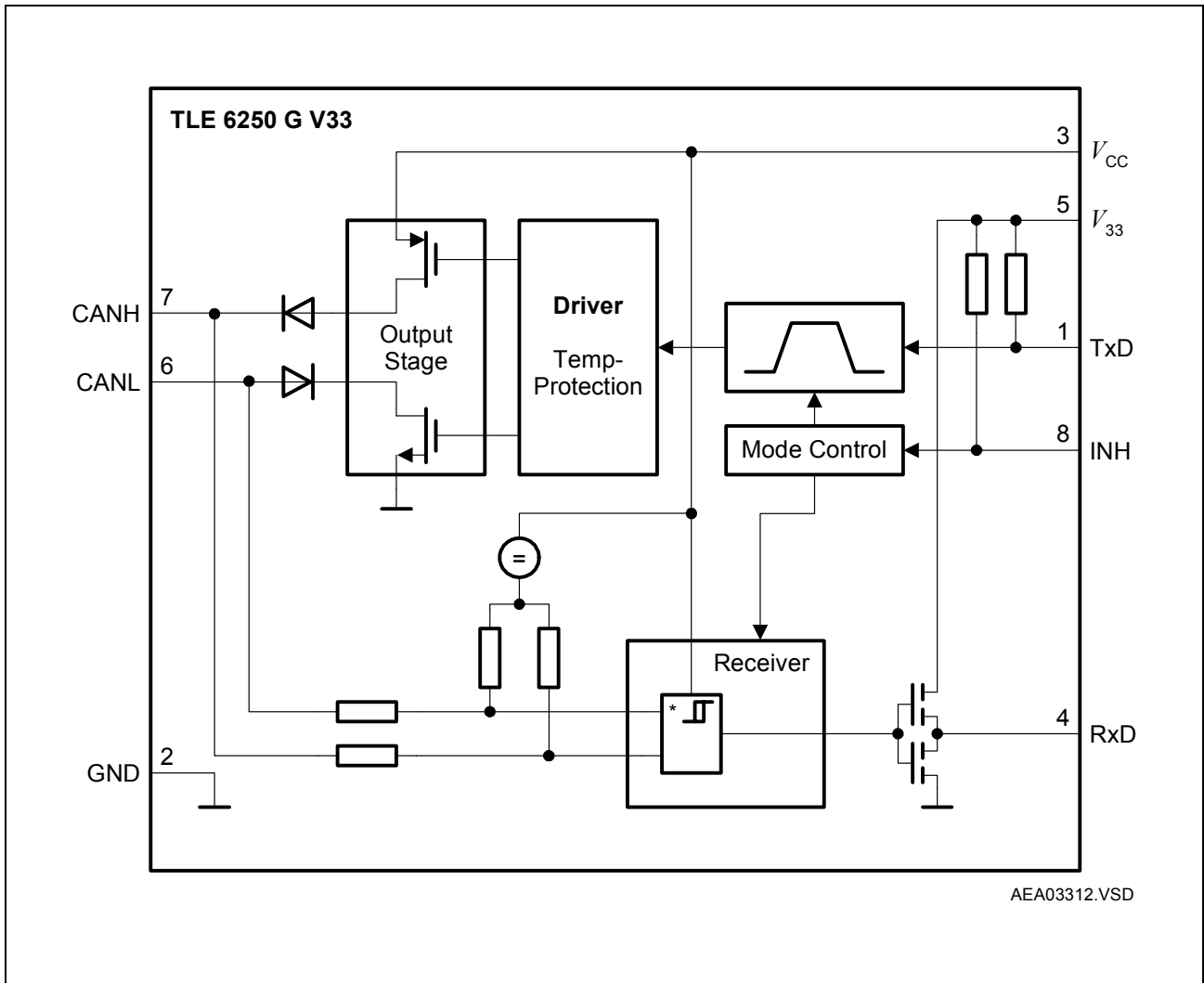


Figure 4 Block Diagram TLE 6250 GV33

Application Information

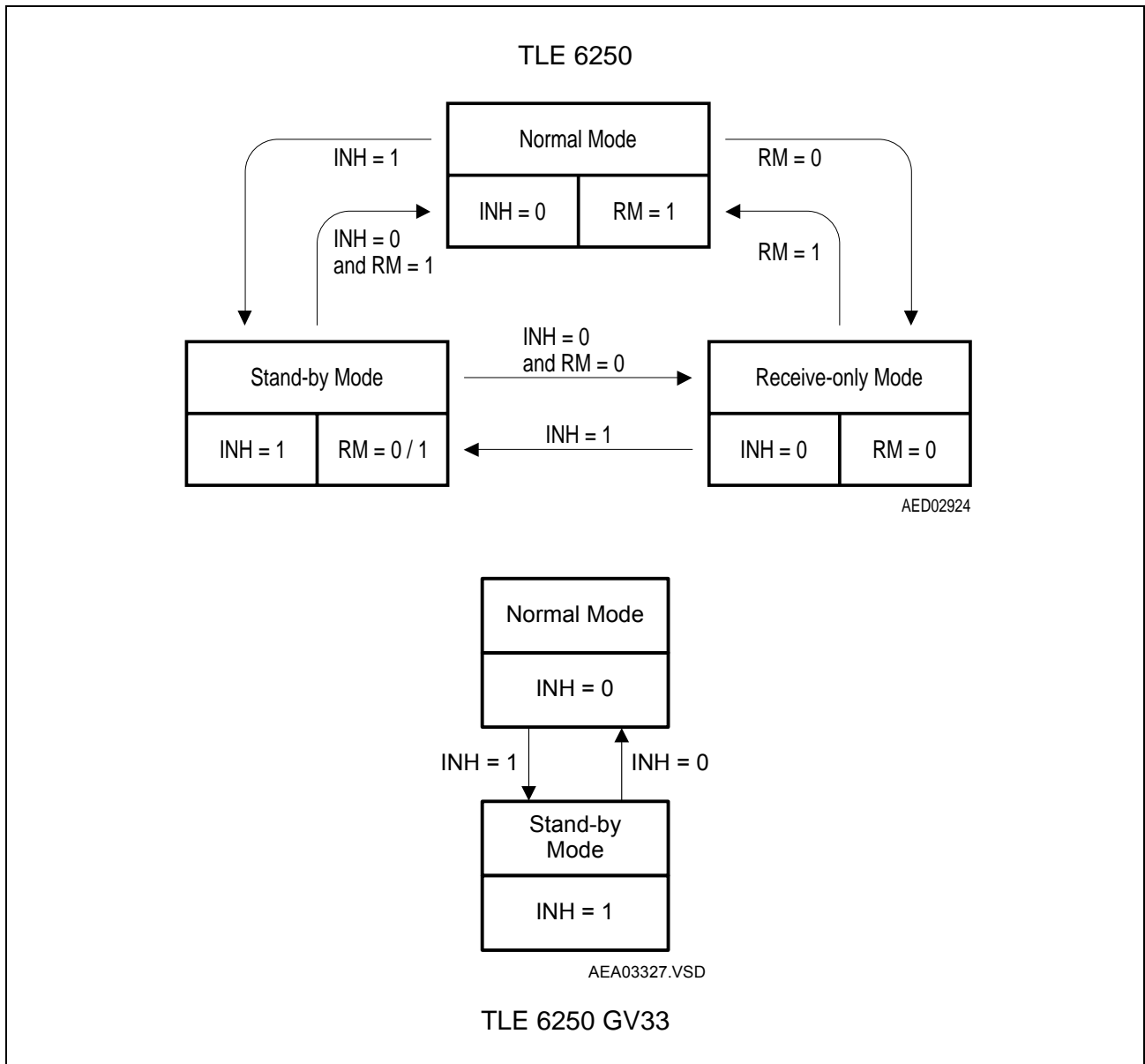


Figure 5 Mode State Diagram

Both, the TLE 6250 G as well as the TLE 6250 C offer three different operation modes (see [Figure 5](#)), controlled by the INH and RM pin. The TLE 6250 GV33 offers only two modes, controlled by the INH (GV33) pin respectively.

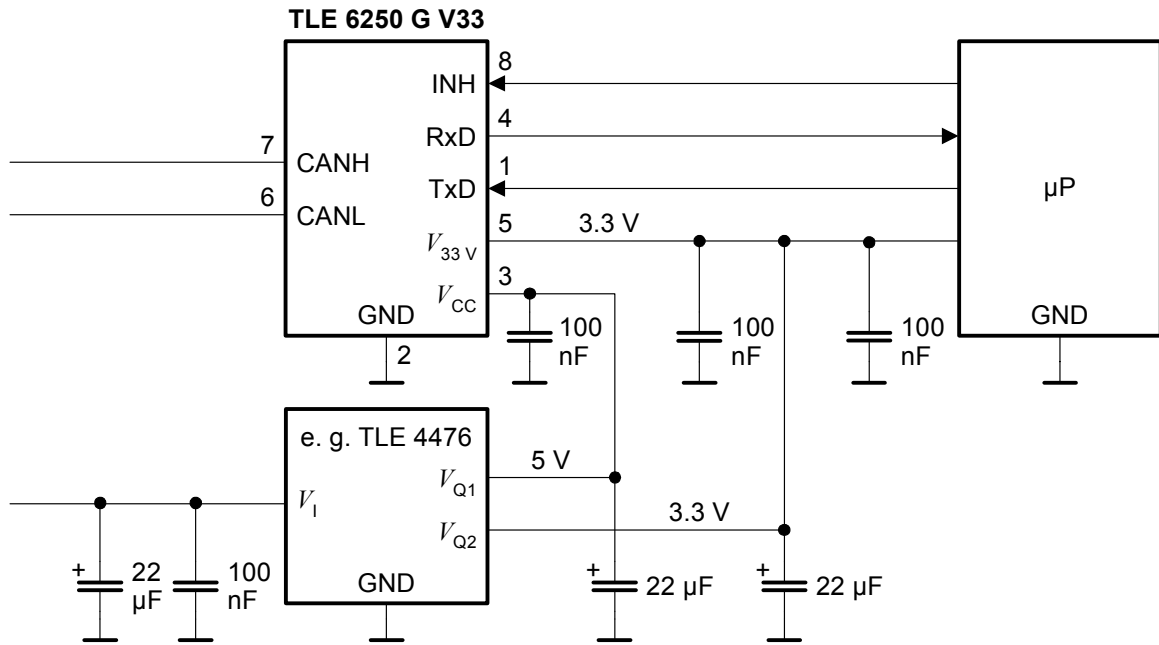
In the normal mode the device is able to receive and to transmit messages whereas in the receive-only mode signals at the TxD input are not transmitted to the CAN bus. The receive-only mode can be used for diagnostic purposes (to check the bus connections between the nodes) as well as to prevent the bus being blocked by a faulty permanent dominant TxD input signal. The stand-by mode is a low power mode that disables both, the receiver as well as the transmitter.

In case the receive-only feature is not used the RM pin has to be left open. When the stand-by mode is not used the INH pin has to be connected to ground level in order to switch the TLE 6250 G in normal mode.

Application Information for the 3.3 V Versions

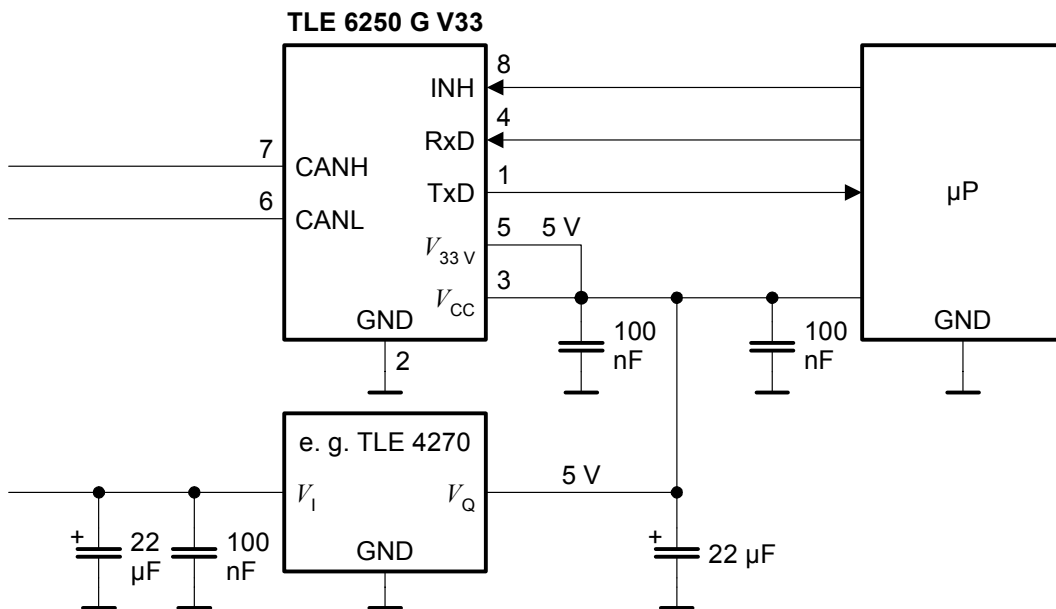
The TLE 6250 GV33 can be used for both; 3.3 V and 5 V microcontroller logic supply, as shown in [Figure 6](#). Don't apply external resistors between the power supply and this pin. This may cause a voltage drop and so reduce the available voltage at this pin.

Application with 3.3 V I/O supply



AEA03300.VSD

Application with 5 V I/O supply



AEA03299.VSD

Figure 6 Application Circuits TLE 6250 GV33 Used for 3.3 V and 5 V Logic

Application with separate 5V power supplies,
for applications with switchable transceiver supply

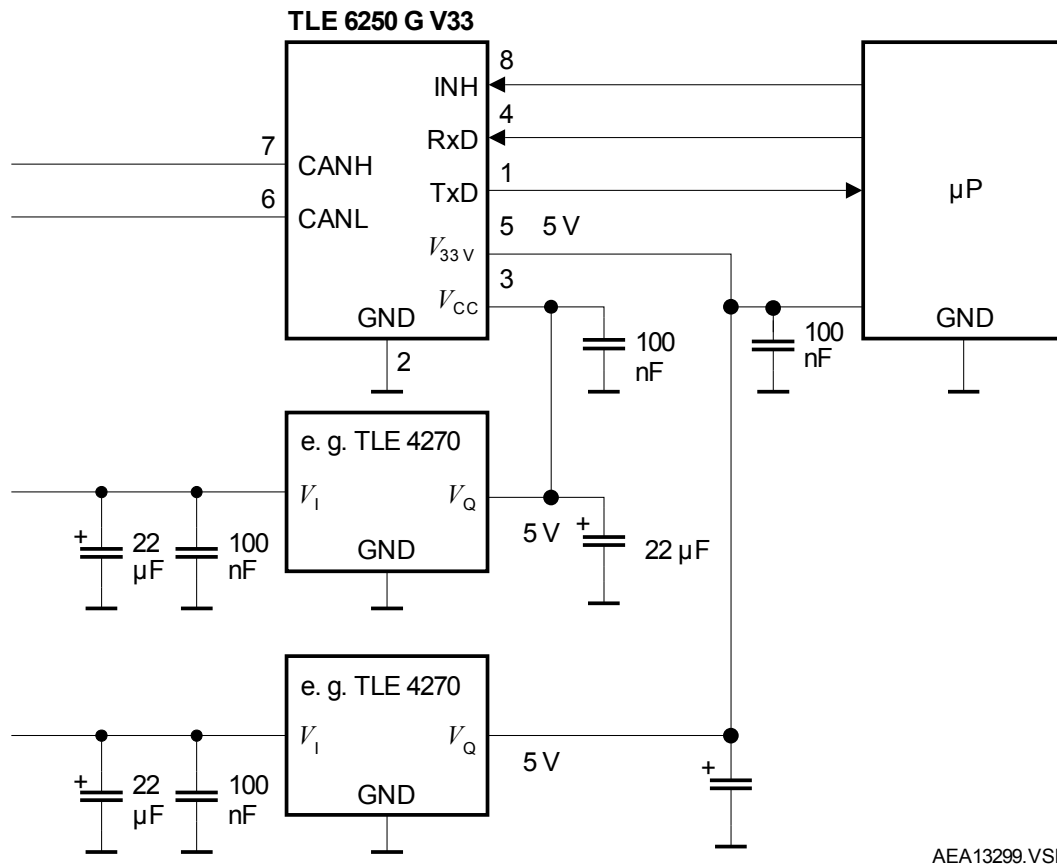


Figure 6 (cont.) Application Circuits TLE 6250 GV33 Used for 3.3 V and 5 V Logic

Electrical Characteristics TLE 6250 G (5 V version)
Table 3 Absolute Maximum Ratings

Parameter	Symbol	Limit Values		Unit	Remarks
		Min.	Max.		
Voltages					
Supply voltage	V_{CC}	-0.3	6.5	V	–
CAN input voltage (CANH, CANL)	$V_{CANH/L}$	-40	40	V	–
Logic voltages at INH, RM, TxD, RxD	V_I	-0.3	V_{CC}	V	$0\text{ V} < V_{CC} < 5.5\text{ V}$
Electrostatic discharge voltage at CANH, CANL	V_{ESD}	-6	6	kV	human body model (100 pF via 1.5 kΩ)
Electrostatic discharge voltage	V_{ESD}	-2	2	kV	human body model (100 pF via 1.5 kΩ)
Temperatures					
Junction temperature	T_j	-40	160	°C	–

Note: Maximum ratings are absolute ratings; exceeding any one of these values may cause irreversible damage to the integrated circuit.

Table 4 Operating Range

Parameter	Symbol	Limit Values		Unit	Remarks
		Min.	Max.		
Supply voltage	V_{CC}	4.5	5.5	V	–
Junction temperature	T_j	-40	150	°C	–
Thermal Resistances					
Junction ambient	R_{thj-a}	–	185	K/W	–
Thermal Shutdown (junction temperature)					
Thermal shutdown temperature	T_{jsD}	160	200	°C	10 °C hysteresis

Table 5 Electrical Characteristics

4.5 V < V_{CC} < 5.5 V; $R_L = 60 \Omega$; $V_{INH} < V_{INH,ON}$; $-40 \text{ }^\circ\text{C} < T_j < 150 \text{ }^\circ\text{C}$; all voltages with respect to ground; positive current flowing into pin; unless otherwise specified.

Parameter	Symbol	Limit Values			Unit	Remarks
		Min.	Typ.	Max.		
Current Consumption						
Current consumption	I_{CC}	–	6	10	mA	recessive state; $V_{TxD} = V_{CC}$
Current consumption	I_{CC}	–	45	70	mA	dominant state; $V_{TxD} = 0 \text{ V}$
Current consumption	I_{CC}	–	6	10	mA	receive-only mode; RM = low
Current consumption	$I_{CC,stab}$	–	1	10	μA	stand-by mode; TxD = RM = high
Receiver Output RxD						
HIGH level output current	$I_{RD,H}$	–	-4	-2	mA	$V_{RD} = 0.8 \times V_{CC}$, $V_{diff} < 0.4 \text{ V}^{1)}$
LOW level output current	$I_{RD,L}$	2	4	–	mA	$V_{RD} = 0.2 \times V_{CC}$, $V_{diff} > 1 \text{ V}^{1)}$
Transmission Input TxD						
HIGH level input voltage threshold	$V_{TD,H}$	–	$0.5 \times V_{CC}$	$0.7 \times V_{CC}$	V	recessive state
LOW level input voltage threshold	$V_{TD,L}$	$0.3 \times V_{CC}$	$0.4 \times V_{CC}$	–	V	dominant state
TxD pull-up resistance	R_{TD}	10	25	50	k Ω	–
Inhibit Input (pin INH)						
HIGH level input voltage threshold	$V_{INH,H}$	–	$0.5 \times V_{CC}$	$0.7 \times V_{CC}$	V	stand-by mode;
LOW level input voltage threshold	$V_{INH,L}$	$0.3 \times V_{CC}$	$0.4 \times V_{CC}$	–	V	normal mode
INH pull-up resistance	R_{INH}	10	25	50	k Ω	–

Table 5 Electrical Characteristics (cont'd)

4.5 V < V_{CC} < 5.5 V; $R_L = 60 \Omega$; $V_{INH} < V_{INH,ON}$; $-40 \text{ }^\circ\text{C} < T_j < 150 \text{ }^\circ\text{C}$; all voltages with respect to ground; positive current flowing into pin; unless otherwise specified.

Parameter	Symbol	Limit Values			Unit	Remarks
		Min.	Typ.	Max.		
Receive only Input (pin RM) (5 V version only)						
HIGH level input voltage threshold	$V_{RM,H}$	–	$0.5 \times V_{CC}$	$0.7 \times V_{CC}$	V	normal mode;
LOW level input voltage threshold	$V_{RM,L}$	$0.3 \times V_{CC}$	$0.4 \times V_{CC}$	–	V	receive-only mode
RM pull-up resistance	R_{RM}	10	25	50	k Ω	–
Bus Receiver						
Differential receiver threshold voltage, recessive to dominant edge	$V_{diff,d}$	–	0.75	0.90	V	$-20 \text{ V} < (V_{CANH}, V_{CANL}) < 25 \text{ V}$ $V_{diff} = V_{CANH} - V_{CANL}$
Differential receiver threshold voltage dominant to recessive edge	$V_{diff,r}$	0.50	0.60	–	V	$-20 \text{ V} < (V_{CANH}, V_{CANL}) < 25 \text{ V}$ $V_{diff} = V_{CANH} - V_{CANL}$
Common Mode Range	CMR	-20	–	25	V	$V_{CC} = 5 \text{ V}$
Differential receiver hysteresis	$V_{diff,hys}$	–	150	–	mV	–
CANH, CANL input resistance	R_i	10	20	30	k Ω	recessive state
Differential input resistance	R_{diff}	20	40	60	k Ω	recessive state

Table 5 Electrical Characteristics (cont'd)

4.5 V < V_{CC} < 5.5 V; R_L = 60 Ω; V_{INH} < V_{INH,ON}; -40 °C < T_j < 150 °C; all voltages with respect to ground; positive current flowing into pin; unless otherwise specified.

Parameter	Symbol	Limit Values			Unit	Remarks
		Min.	Typ.	Max.		
Bus Transmitter						
CANL/CANH recessive output voltage	V _{CANL/H}	0.4 × V _{CC}	–	0.6 × V _{CC}	V	V _{TxD} = V _{CC}
CCANH, CANL recessive output voltage difference V _{diff} = V _{CANH} - V _{CANL} , no load ²⁾	V _{diff}	-1	–	0.05	V	V _{TxD} = V _{CC}
CANL dominant output voltage	V _{CANL}	–	–	2.0	V	V _{TxD} = 0 V; V _{CC} = 5 V
CANH dominant output voltage	V _{CANH}	2.8	–	–	V	V _{TxD} = 0 V; V _{CC} = 5 V
CANH, CANL dominant output voltage difference V _{diff} = V _{CANH} - V _{CANL}	V _{diff}	1.5	–	3.0	V	V _{TxD} = 0 V; V _{CC} = 5 V
CANL short circuit current	I _{CANLsc}	50	120	200	mA	V _{CANLshort} = 18 V
		–	150	–	mA	V _{CANLshort} = 36 V
CANH short circuit current	I _{CANHsc}	-200	-120	-50	mA	V _{CANHshort} = 0 V
CANH short circuit current	I _{CANHsc}	–	-120	–	mA	V _{CANHshort} = -5 V
Output current	I _{CANH,ik}	-50	-300	-400	μA	V _{CC} = 0 V, V _{CANH} = V _{CANL} = -7 V
		-50	-100	-150	μA	V _{CC} = 0 V, V _{CANH} = V _{CANL} = -2 V
Output current	I _{CANH,ik}	50	280	400	μA	V _{CC} = 0 V, V _{CANH} = V _{CANL} = 7 V
		50	100	150	μA	V _{CC} = 0 V, V _{CANH} = V _{CANL} = 2 V

Table 5 Electrical Characteristics (cont'd)

4.5 V < V_{CC} < 5.5 V; $R_L = 60 \Omega$; $V_{INH} < V_{INH,ON}$; $-40 \text{ }^\circ\text{C} < T_j < 150 \text{ }^\circ\text{C}$; all voltages with respect to ground; positive current flowing into pin; unless otherwise specified.

Parameter	Symbol	Limit Values			Unit	Remarks
		Min.	Typ.	Max.		
Dynamic CAN-Transceiver Characteristics						
Propagation delay TxD-to-RxD LOW (recessive to dominant)	$t_{d(L),TR}$	–	150	280	ns	$C_L = 47 \text{ pF}$; $R_L = 60 \Omega$; $V_{CC} = 5 \text{ V}$; $C_{RxD} = 20 \text{ pF}$
Propagation delay TxD-to-RxD HIGH (dominant to recessive)	$t_{d(H),TR}$	–	150	280	ns	$C_L = 47 \text{ pF}$; $R_L = 60 \Omega$; $V_{CC} = 5 \text{ V}$; $C_{RxD} = 20 \text{ pF}$
Propagation delay TxD LOW to bus dominant	$t_{d(L),T}$	–	100	140	ns	$C_L = 47 \text{ pF}$; $R_L = 60 \Omega$; $V_{CC} = 5 \text{ V}$
Propagation delay TxD HIGH to bus recessive	$t_{d(H),T}$	–	100	140	ns	$C_L = 47 \text{ pF}$; $R_L = 60 \Omega$; $V_{CC} = 5 \text{ V}$
Propagation delay bus dominant to RxD LOW	$t_{d(L),R}$	–	50	140	ns	$C_L = 47 \text{ pF}$; $R_L = 60 \Omega$; $V_{CC} = 5 \text{ V}$; $C_{RxD} = 20 \text{ pF}$
Propagation delay bus recessive to RxD HIGH	$t_{d(H),R}$	–	50	140	ns	$C_L = 47 \text{ pF}$; $R_L = 60 \Omega$; $V_{CC} = 5 \text{ V}$; $C_{RxD} = 20 \text{ pF}$

1) $V_{diff} = V_{CANH} - V_{CANL}$

2) Deviation from ISO/DIS 11898

Electrical Characteristics TLE 6250 GV33 (3.3 V version)
Table 6 Absolute Maximum Ratings

Parameter	Symbol	Limit Values		Unit	Remarks
		Min.	Max.		
Voltages					
Supply voltage	V_{CC}	-0.3	6.5	V	–
3.3 V supply	V_{33V}	-0.3	6.5	V	–
CAN input voltage (CANH, CANL)	$V_{CANH/L}$	-40	40	V	–
Logic voltages at INH, RM, TxD, RxD	V_I	-0.3	V_{CC}	V	$0\text{ V} < V_{CC} < 5.5\text{ V}$
Electrostatic discharge voltage at CANH, CANL	V_{ESD}	-6	6	kV	human body model (100 pF via 1.5 k Ω)
Electrostatic discharge voltage	V_{ESD}	-2	2	kV	human body model (100 pF via 1.5 k Ω)
Temperatures					
Junction temperature	T_j	-40	160	$^{\circ}\text{C}$	–

Note: Maximum ratings are absolute ratings; exceeding any one of these values may cause irreversible damage to the integrated circuit.

Table 7 Operating Range

Parameter	Symbol	Limit Values		Unit	Remarks
		Min.	Max.		
Supply voltage	V_{CC}	4.5	5.5	V	–
3.3 V supply voltage	V_{33V}	3.0	5.5	V	–
Junction temperature	T_j	-40	150	$^{\circ}\text{C}$	–

Thermal Resistances

Junction ambient	R_{thj-a}	–	185	K/W	–
------------------	-------------	---	-----	-----	---

Thermal Shutdown (junction temperature)

Thermal shutdown temperature	T_{jsD}	160	200	$^{\circ}\text{C}$	10 $^{\circ}\text{C}$ hysteresis
------------------------------	-----------	-----	-----	--------------------	----------------------------------

Table 8 Electrical Characteristics

4.5 V < V_{CC} < 5.5 V; (3.0 V < V_{33V} < 5.5V for 3.3 V version); $R_L = 60 \Omega$; $V_{INH} < V_{INH,ON}$; $-40 \text{ }^\circ\text{C} < T_j < 150 \text{ }^\circ\text{C}$; all voltages with respect to ground; positive current flowing into pin; unless otherwise specified.

Parameter	Symbol	Limit Values			Unit	Remarks
		Min.	Typ.	Max.		
Current Consumption (3.3 V version)						
Current consumption	I_{CC+33V}	–	6	10	mA	recessive state; $V_{TxD} = V_{33V}$
Current consumption	I_{CC+33V}	–	45	70	mA	dominant state; $V_{TxD} = 0 \text{ V}$
Current consumption	I_{33V}	–	–	2	mA	–
Current consumption	$I_{CC+33V, stb}$	–	1	10	μA	stand-by mode, TxD = high
Receiver Output RxD						
HIGH level output current	$I_{RD,H}$	–	-2	-1	mA	$V_{RD} = 0.8 \times V_{33V}$, $V_{diff} < 0.4 \text{ V}^1)$
LOW level output current	$I_{RD,L}$	1	2	–	mA	$V_{RD} = 0.2 \times V_{33V}$, $V_{diff} > 1 \text{ V}^1)$
Transmission Input TxD						
HIGH level input voltage threshold	$V_{TD,H}$	–	$0.55 \times V_{33V}$	$0.7 \times V_{33V}$	V	recessive state
LOW level input voltage threshold	$V_{TD,L}$	$0.3 \times V_{33V}$	$0.45 \times V_{33V}$	–	V	dominant state
TxD pull-up resistance	R_{TD}	10	25	50	k Ω	–
Inhibit Input (pin INH)						
HIGH level input voltage threshold	$V_{INH,H}$	–	$0.55 \times V_{33V}$	$0.7 \times V_{33V}$	V	stand-by mode;
LOW level input voltage threshold	$V_{INH,L}$	$0.3 \times V_{33V}$	$0.45 \times V_{33V}$	–	V	normal mode;
INH pull-up resistance	R_{INH}	10	25	50	k Ω	–

Table 8 Electrical Characteristics (cont'd)

4.5 V < V_{CC} < 5.5 V; (3.0 V < V_{33V} < 5.5V for 3.3 V version); $R_L = 60 \Omega$; $V_{INH} < V_{INH,ON}$; $-40 \text{ }^\circ\text{C} < T_j < 150 \text{ }^\circ\text{C}$; all voltages with respect to ground; positive current flowing into pin; unless otherwise specified.

Parameter	Symbol	Limit Values			Unit	Remarks
		Min.	Typ.	Max.		
Bus Receiver						
Differential receiver threshold voltage, recessive to dominant edge	$V_{diff,d}$	–	0.75	0.90	V	$-20 \text{ V} < (V_{CANH}, V_{CANL}) < 25 \text{ V}$ $V_{diff} = V_{CANH} - V_{CANL}$
Differential receiver threshold voltage, dominant to recessive edge	$V_{diff,r}$	0.50	0.60	–	V	$-20 \text{ V} < (V_{CANH}, V_{CANL}) < 25 \text{ V}$ $V_{diff} = V_{CANH} - V_{CANL}$
Common Mode Range	CMR	-20	–	25	V	$V_{CC} = 5 \text{ V}$
Differential receiver hysteresis	$V_{diff,hys}$	–	150	–	mV	–
CANH, CANL input resistance	R_i	10	20	30	k Ω	recessive state
Differential input resistance	R_{diff}	20	40	60	k Ω	recessive state

Table 8 Electrical Characteristics (cont'd)

4.5 V < V_{CC} < 5.5 V; (3.0 V < V_{33V} < 5.5V for 3.3 V version); $R_L = 60 \Omega$; $V_{INH} < V_{INH,ON}$; $-40 \text{ }^\circ\text{C} < T_j < 150 \text{ }^\circ\text{C}$; all voltages with respect to ground; positive current flowing into pin; unless otherwise specified.

Parameter	Symbol	Limit Values			Unit	Remarks
		Min.	Typ.	Max.		
Bus Transmitter						
CANL/CANH recessive output voltage	$V_{CANL/H}$	$0.4 \times V_{CC}$	–	$0.6 \times V_{CC}$	V	$V_{TxD} = V_{33V}$
CANH, CANL recessive output voltage difference $V_{diff} = V_{CANH} - V_{CANL}$, no load ²⁾	V_{diff}	-1	–	0.05	V	$V_{TxD} = V_{33V}$
CANL dominant output voltage	V_{CANL}	–	–	2.0	V	$V_{TxD} = 0 \text{ V}$; $V_{CC} = 5 \text{ V}$
CANH dominant output voltage	V_{CANH}	2.8	–	–	V	$V_{TxD} = 0 \text{ V}$; $V_{CC} = 5 \text{ V}$
CANH, CANL dominant output voltage difference $V_{diff} = V_{CANH} - V_{CANL}$	V_{diff}	1.5	–	3.0	V	$V_{TxD} = 0 \text{ V}$; $V_{CC} = 5 \text{ V}$
CANL short circuit current	I_{CANLsc}	50	120	200	mA	$V_{CANLshort} = 18 \text{ V}$
		–	150	–	mA	$V_{CANLshort} = 36 \text{ V}$
CANH short circuit current	I_{CANHsc}	-200	-120	-50	mA	$V_{CANHshort} = 0 \text{ V}$
CANH short circuit current	I_{CANHsc}	–	-120	–	mA	$V_{CANHshort} = -5 \text{ V}$
Output current	$I_{CANH,IK}$	-50	-300	-400	μA	$V_{CC} = 0 \text{ V}$, $V_{CANH} = V_{CANL} = -7 \text{ V}$
		-50	-100	-150	μA	$V_{CC} = 0 \text{ V}$, $V_{CANH} = V_{CANL} = -2 \text{ V}$
Output current	$I_{CANH,IK}$	50	280	300	μA	$V_{CC} = 0 \text{ V}$, $V_{CANH} = V_{CANL} = 7 \text{ V}$
		50	100	150	μA	$V_{CC} = 0 \text{ V}$, $V_{CANH} = V_{CANL} = 2 \text{ V}$

Table 8 Electrical Characteristics (cont'd)

4.5 V < V_{CC} < 5.5 V; (3.0 V < V_{33V} < 5.5V for 3.3 V version); $R_L = 60 \Omega$; $V_{INH} < V_{INH,ON}$; $-40 \text{ }^\circ\text{C} < T_j < 150 \text{ }^\circ\text{C}$; all voltages with respect to ground; positive current flowing into pin; unless otherwise specified.

Parameter	Symbol	Limit Values			Unit	Remarks
		Min.	Typ.	Max.		
Dynamic CAN-Transceiver Characteristics						
Propagation delay TxD-to-RxD LOW (recessive to dominant)	$t_{d(L),TR}$	–	150	280	ns	$C_L = 47 \text{ pF}$; $R_L = 60 \Omega$; $V_{CC} = 5 \text{ V}$; $C_{RxD} = 20 \text{ pF}$
Propagation delay TxD-to-RxD HIGH (dominant to recessive)	$t_{d(H),TR}$	–	150	280	ns	$C_L = 47 \text{ pF}$; $R_L = 60 \Omega$; $V_{CC} = 5 \text{ V}$; $C_{RxD} = 20 \text{ pF}$
Propagation delay TxD LOW to bus dominant	$t_{d(L),T}$	–	100	140	ns	$C_L = 47 \text{ pF}$; $R_L = 60 \Omega$; $V_{CC} = 5 \text{ V}$
Propagation delay TxD HIGH to bus recessive	$t_{d(H),T}$	–	100	140	ns	$C_L = 47 \text{ pF}$; $R_L = 60 \Omega$; $V_{CC} = 5 \text{ V}$
Propagation delay bus dominant to RxD LOW	$t_{d(L),R}$	–	50	140	ns	$C_L = 47 \text{ pF}$; $R_L = 60 \Omega$; $V_{CC} = 5 \text{ V}$; $C_{RxD} = 20 \text{ pF}$
Propagation delay bus recessive to RxD HIGH	$t_{d(H),R}$	–	50	140	ns	$C_L = 47 \text{ pF}$; $R_L = 60 \Omega$; $V_{CC} = 5 \text{ V}$; $C_{RxD} = 20 \text{ pF}$

1) $V_{diff} = V_{CANH} - V_{CANL}$

2) Deviation from ISO/DIS 11898

Diagrams

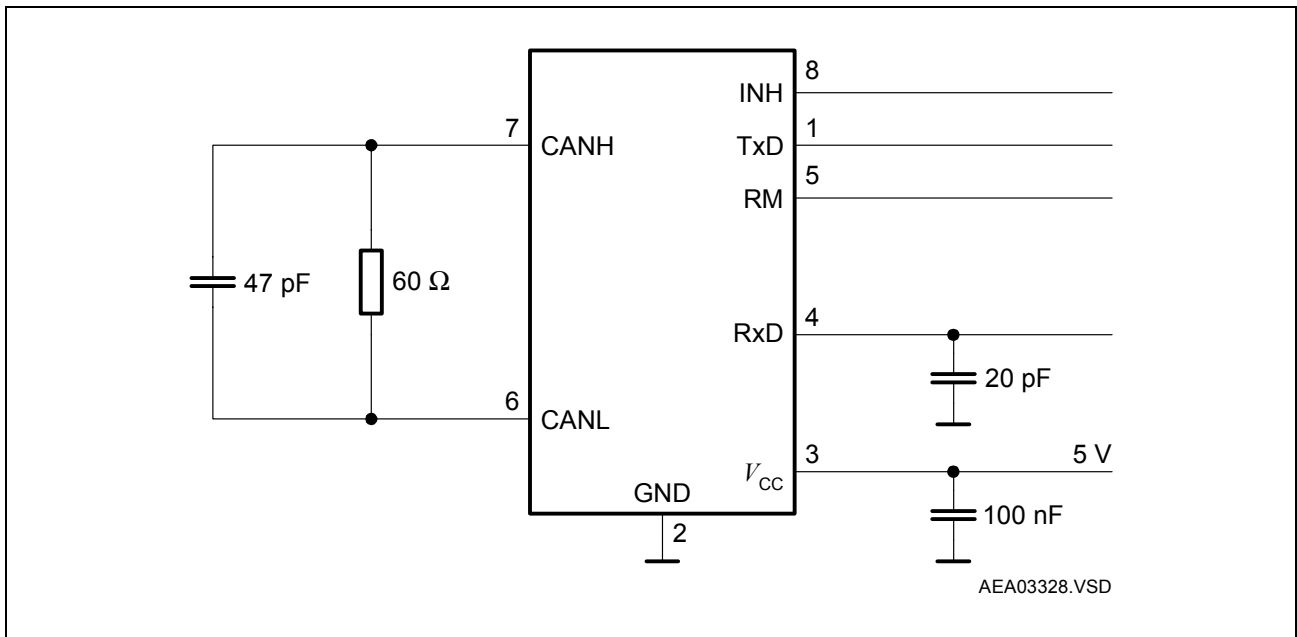


Figure 7 Test Circuit for Dynamic Characteristics (5 V Version)

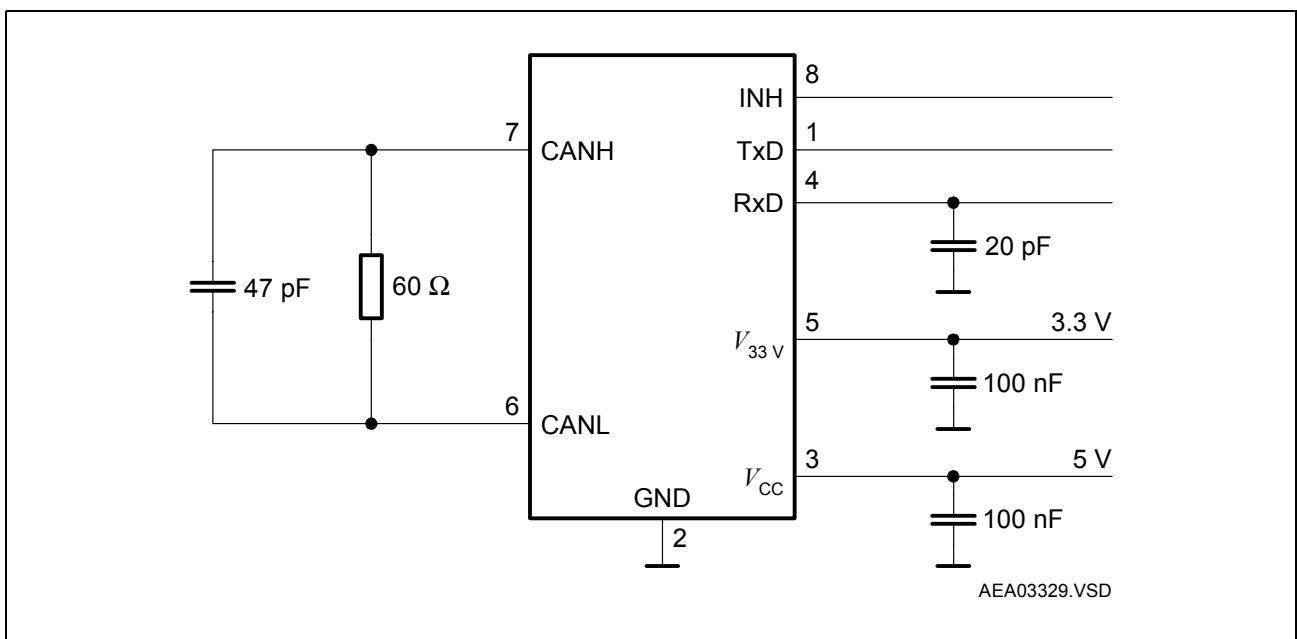


Figure 8 Test Circuit for Dynamic Characteristics (GV33 Version)

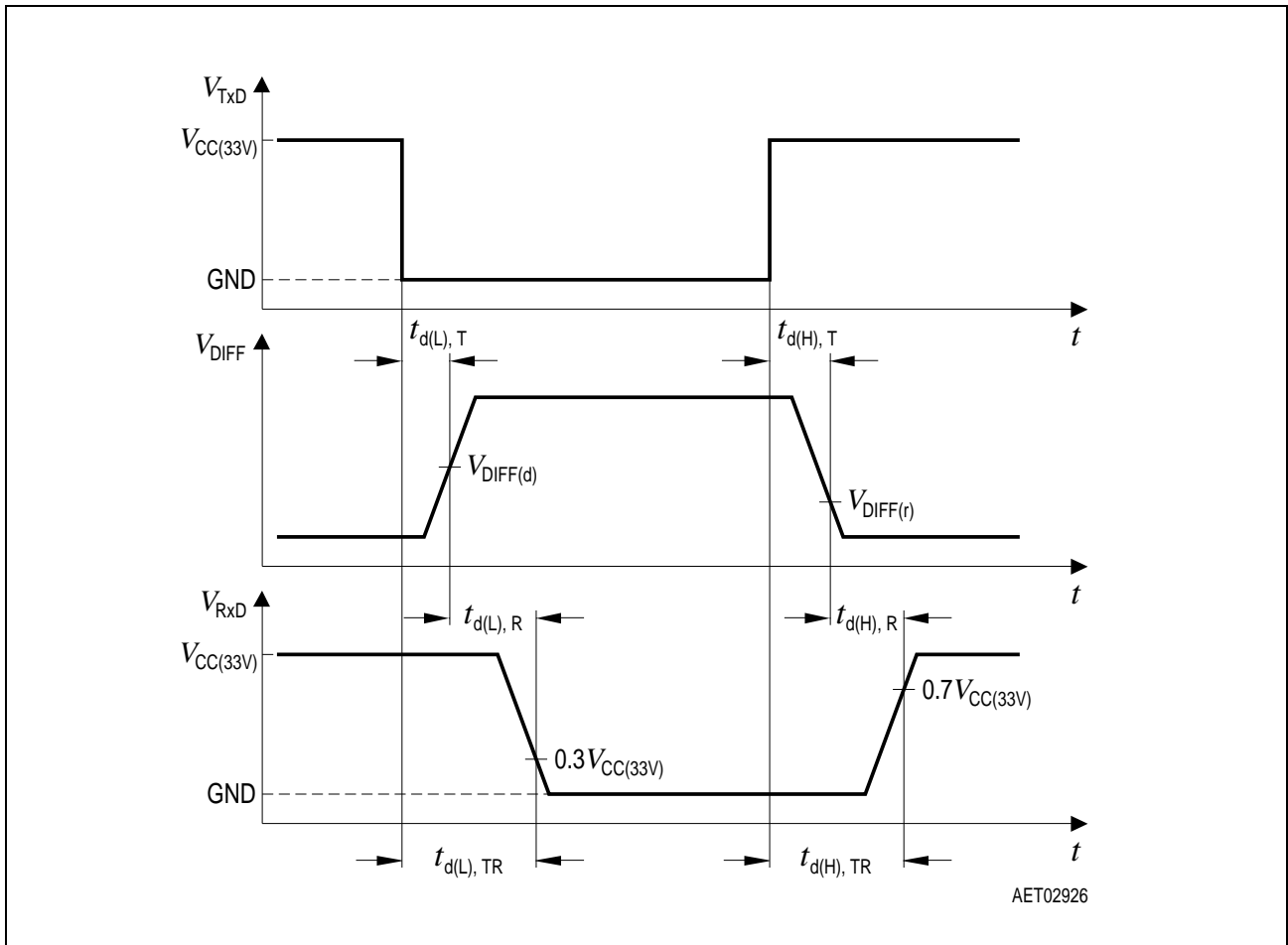


Figure 9 Timing Diagrams for Dynamic Characteristics

Application

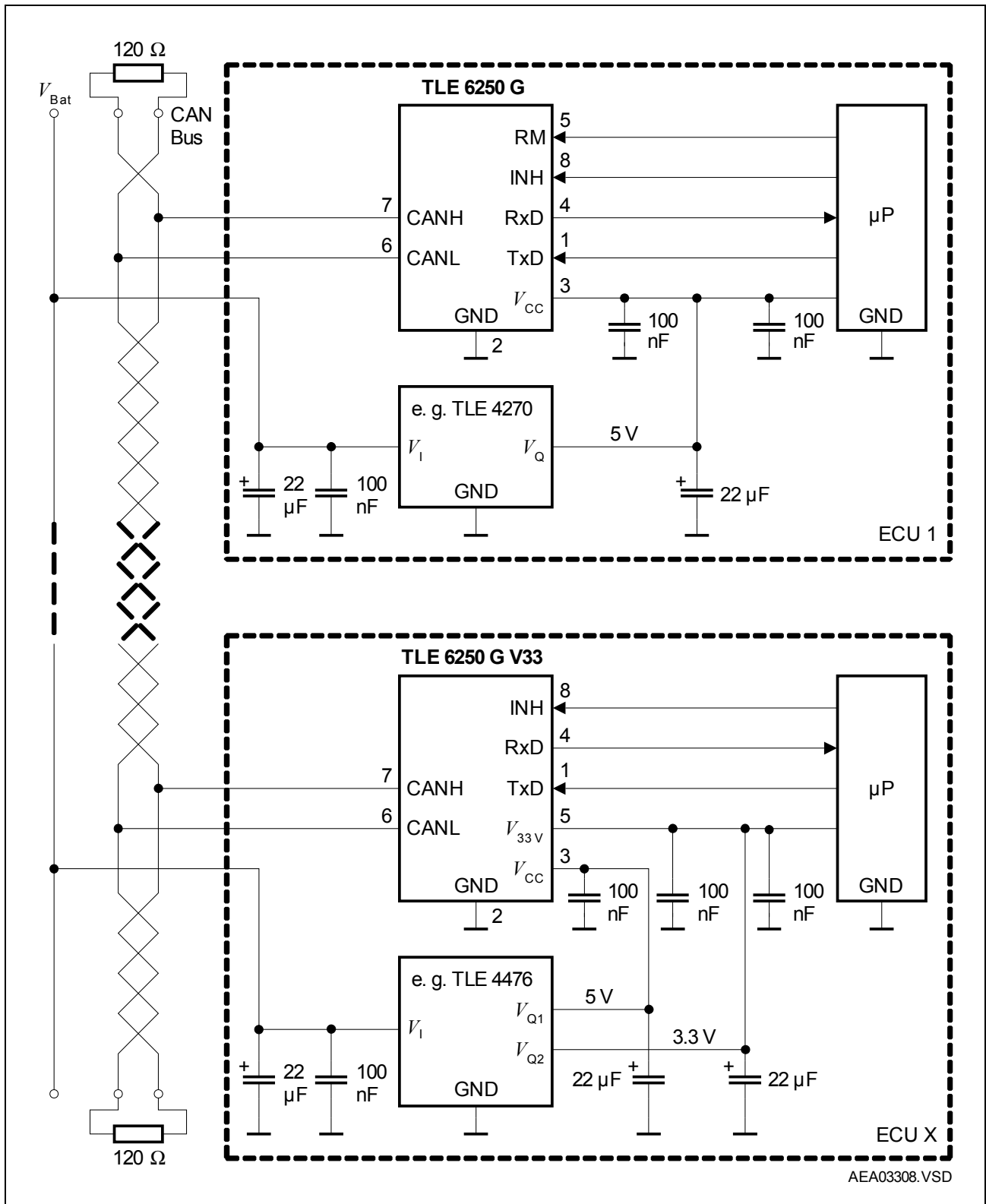


Figure 10 Application Circuit TLE 6250 with TLE 6250 GV33

Package Outlines

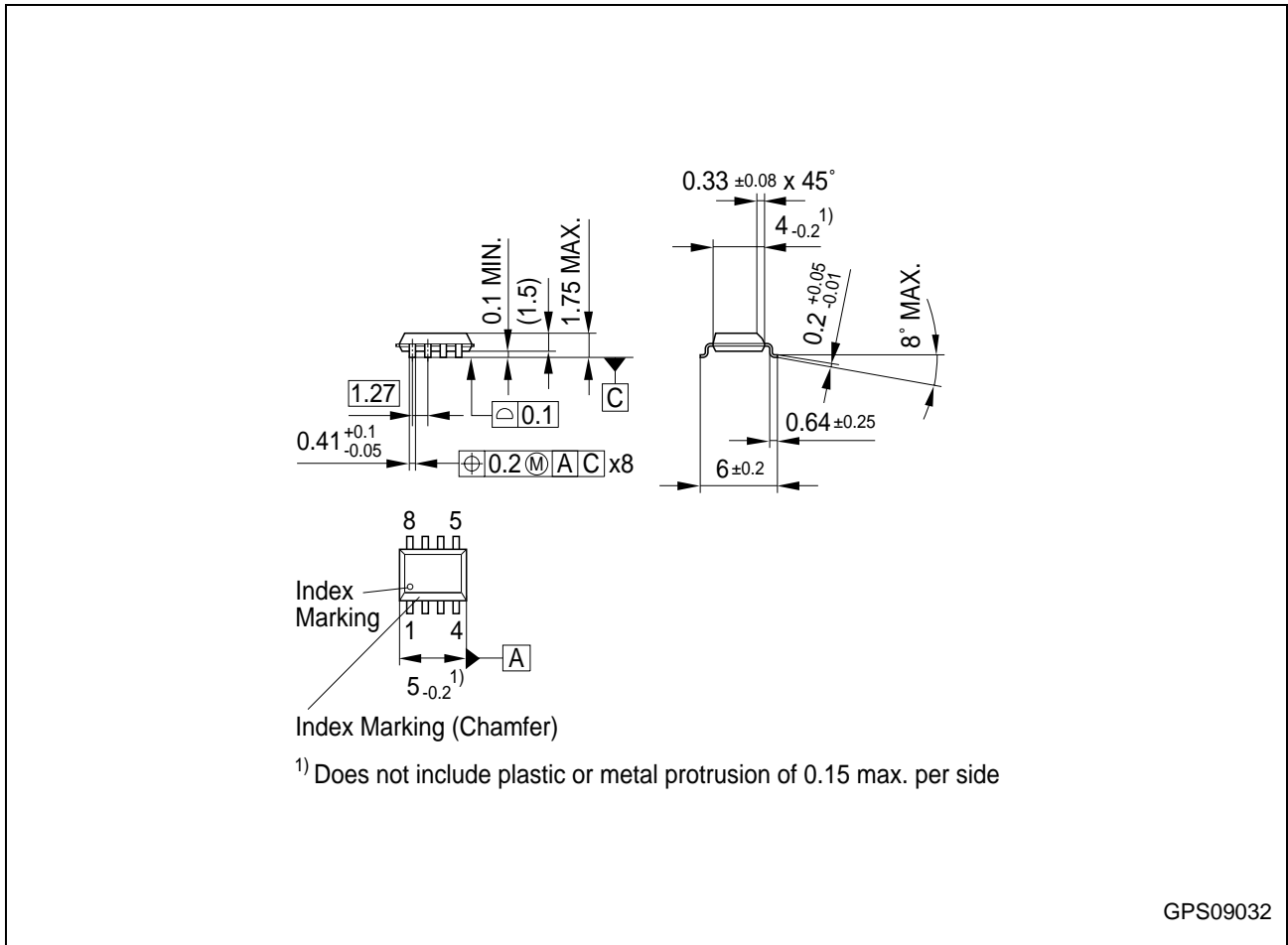


Figure 11 P-DSO-8-3 (Plastic Dual Small Outline)

You can find all of our packages, sorts of packing and others in our Infineon Internet Page "Products": <http://www.infineon.com/products>.

SMD = Surface Mounted Device

Dimensions in mm

TLE 6250**Revision History:** **2004-04-15**

Rev. 3.8

Previous Version: Rev. 3.6; Rev. 3.7 (Data Book)

Page	Subjects (major changes since last revision)
10/11	Update figure 6
17	3,3V supply V_{33V} max = 6.5V (former 5.5V)
18.. 21	(3.0 V < V_{33V} < 5.5V for 3.3 V version)