



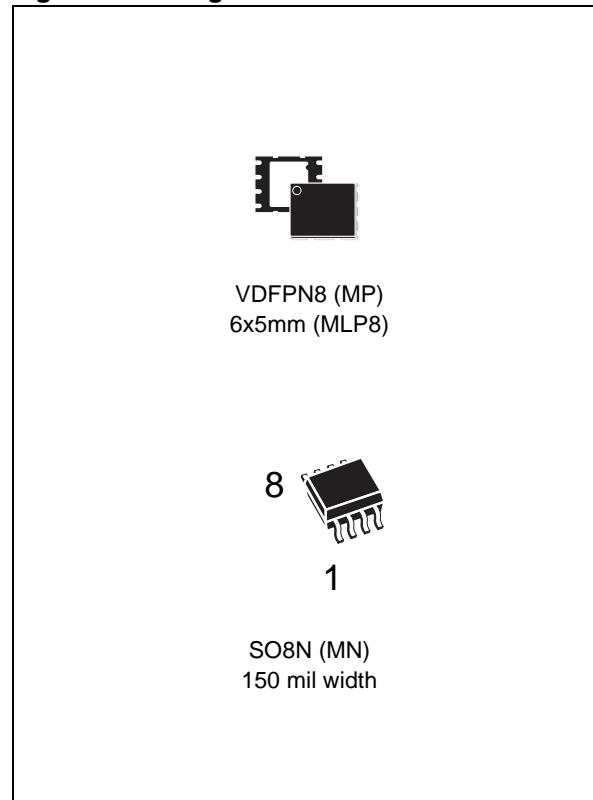
# M25PE20 M25PE10

1 and 2 Mbit, Low Voltage, Page-Erasable Serial Flash Memories  
with Byte-Alterability, 33 MHz SPI Bus, Standard Pin-out

## FEATURES SUMMARY

- Industrial Standard SPI Pin-out
- 1 or 2 Mbit of Page-Erasable Flash Memory
- Page Write (up to 256 Bytes) in 11ms (typical)
- Page Program (up to 256 Bytes) in 1.2ms (typical)
- Page Erase (256 Bytes) in 10ms (typical)
- Sector Erase (512 Kbit)
- 2.7 to 3.6V Single Supply Voltage
- SPI Bus Compatible Serial Interface
- 33MHz Clock Rate (maximum)
- Deep Power-down Mode 1 $\mu$ A (typical)
- Electronic Signature
  - JEDEC Standard Two-Byte Signature (8012h for M25PE20, 8011h for M25PE10)
- More than 100,000 Write Cycles
- More than 20 Year Data Retention
- Hardware Write Protection of the Top Sector (64KB)
- Packages
  - ECOPACK® (RoHS compliant)

Figure 1. Packages



## TABLE OF CONTENTS

|  |           |
|--|-----------|
| <b>FEATURES SUMMARY</b> .....                                      | <b>1</b>  |
| <b>SIGNAL DESCRIPTION</b> .....                                    | <b>5</b>  |
| Serial Data Output (Q) .....                                       | 5         |
| Serial Data Input (D) .....  | 5         |
| Serial Clock (C) .....   | 5         |
| Chip Select ( $\overline{S}$ ) .....                               | 5         |
| Reset ( $\overline{\text{Reset}}$ ) .....                          | 5         |
| Top Sector Lock ( $\overline{\text{TSL}}$ ) .....                  | 5         |
| <b>SPI MODES</b> .....   | <b>6</b>  |
| <b>OPERATING FEATURES</b> .....                                    | <b>7</b>  |
| <b>Sharing the Overhead of Modifying Data</b> .....                | <b>7</b>  |
| <b>An Easy Way to Modify Data</b> .....                            | <b>7</b>  |
| <b>A Fast Way to Modify Data</b> .....                             | <b>7</b>  |
| <b>Polling During a Write, Program or Erase Cycle</b> .....        | <b>7</b>  |
| <b>Reset</b> .....   | <b>7</b>  |
| <b>Active Power, Standby Power and Deep Power-Down Modes</b> ..... | <b>7</b>  |
| <b>Status Register</b> .....                                       | <b>8</b>  |
| WIP bit .....  | 8         |
| WEL bit .....  | 8         |
| <b>Protection Modes</b> .....                                      | <b>8</b>  |
| <b>MEMORY ORGANIZATION</b> .....                                   | <b>9</b>  |
| <b>INSTRUCTIONS</b> .....  | <b>12</b> |
| <b>Write Enable (WREN)</b> .....                                   | <b>13</b> |
| <b>Write Disable (WRDI)</b> .....                                  | <b>13</b> |
| <b>Read Identification (RDID)</b> .....                            | <b>14</b> |
| <b>Read Status Register (RDSR)</b> .....                           | <b>15</b> |
| WIP bit .....  | 15        |
| WEL bit .....  | 15        |
| <b>Read Data Bytes (READ)</b> .....                                | <b>16</b> |
| <b>Read Data Bytes at Higher Speed (FAST_READ)</b> .....           | <b>17</b> |
| <b>Page Write (PW)</b> .....                                       | <b>18</b> |
| <b>Page Program (PP)</b> .....                                     | <b>19</b> |
| <b>Page Erase (PE)</b> .....                                       | <b>20</b> |
| <b>Sector Erase (SE)</b> .....                                     | <b>21</b> |
| <b>Deep Power-down (DP)</b> .....                                  | <b>22</b> |
| <b>Release from Deep Power-down (RDP)</b> .....                    | <b>23</b> |
| <b>POWER-UP AND POWER-DOWN</b> .....                               | <b>24</b> |

INITIAL DELIVERY STATE..... 25

MAXIMUM RATING..... 25

DC and AC PARAMETERS ..... 26

PACKAGE MECHANICAL ..... 33

PART NUMBERING ..... 35

REVISION HISTORY..... 36

## M25PE10, M25PE20

### SUMMARY DESCRIPTION

The M25PE20 and M25PE10 are 2 Mbit (256K x 8 bit) and 1 Mbit (128K x 8 bit) Serial Paged Flash Memories, respectively. They are accessed by a high speed SPI-compatible bus.

The memories can be written or programmed 1 to 256 Bytes at a time, using the Page Write or Page Program instruction. The Page Write instruction consists of an integrated Page Erase cycle followed by a Page Program cycle.

The M25PE20 memory is organized as 4 sectors, each containing 256 pages. Each page is 256 Bytes wide. Thus, the whole memory can be viewed as consisting of 1024 pages, or 262,144 Bytes.

The M25PE10 memory is organized as 2 sectors, each containing 256 pages. Each page is 256 Bytes wide. Thus, the whole memory can be viewed as consisting of 512 pages, or 131,072 Bytes.

The memories can be erased a page at a time, using the Page Erase instruction, or a sector at a time, using the Sector Erase instruction.

The top sector of the memories can be Write Protected by Hardware (TSL).

In order to meet environmental requirements, ST offers these devices in ECOPACK® packages.

ECOPACK® packages are Lead-free and RoHS compliant.

ECOPACK is an ST trademark. ECOPACK specifications are available at: [www.st.com](http://www.st.com).

Figure 2. Logic Diagram

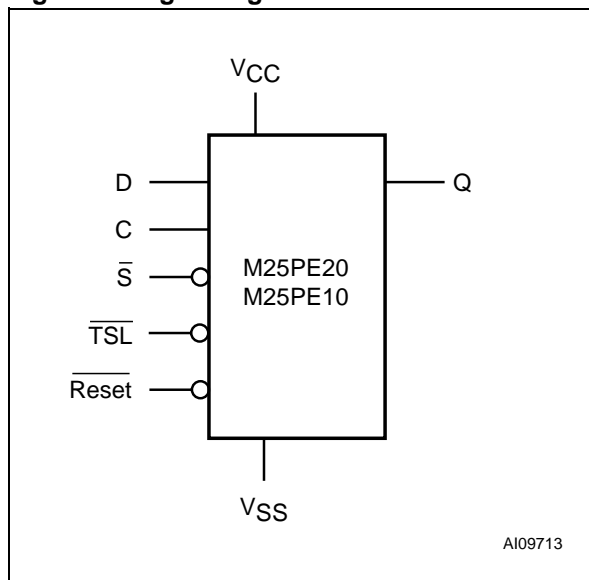
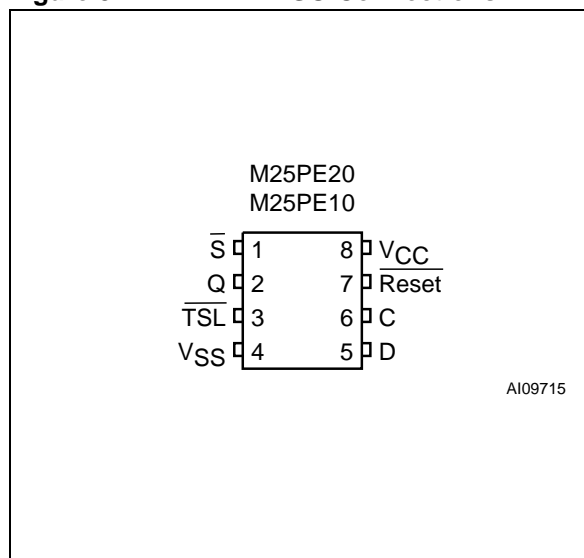


Table 1. Signal Names

|                    |                    |
|--------------------|--------------------|
| C                  | Serial Clock       |
| D                  | Serial Data Input  |
| Q                  | Serial Data Output |
| $\bar{S}$          | Chip Select        |
| $\overline{TSL}$   | Top Sector Lock    |
| $\overline{Reset}$ | Reset              |
| VCC                | Supply Voltage     |
| VSS                | Ground             |

Figure 3. VDFPN AND SO Connections



- Note: 1. There is an exposed die paddle on the underside of the MLP8 package. This is pulled, internally, to VSS, and must not be allowed to be connected to any other voltage or signal line on the PCB.
2. See [PACKAGE MECHANICAL](#) section for package dimensions, and how to identify pin-1.

## SIGNAL DESCRIPTION

**Serial Data Output (Q).** This output signal is used to transfer data serially out of the device. Data is shifted out on the falling edge of Serial Clock (C).

**Serial Data Input (D).** This input signal is used to transfer data serially into the device. It receives instructions, addresses, and the data to be programmed. Values are latched on the rising edge of Serial Clock (C).

**Serial Clock (C).** This input signal provides the timing of the serial interface. Instructions, addresses, or data present at Serial Data Input (D) are latched on the rising edge of Serial Clock (C). Data on Serial Data Output (Q) changes after the falling edge of Serial Clock (C).

**Chip Select ( $\overline{S}$ ).** When this input signal is High, the device is deselected and Serial Data Output (Q) is at high impedance. Unless an internal Read, Program, Erase or Write cycle is in progress, the device will be in the Standby Power mode (this is not the Deep Power-down mode). Driving Chip

Select ( $\overline{S}$ ) Low selects the device, placing it in the Active Power mode.

After Power-up, a falling edge on Chip Select ( $\overline{S}$ ) is required prior to the start of any instruction.

**Reset ( $\overline{Reset}$ ).** The Reset ( $\overline{Reset}$ ) input provides a hardware reset for the memory.

When Reset ( $\overline{Reset}$ ) is driven High, the memory is in the normal operating mode. When Reset ( $\overline{Reset}$ ) is driven Low, the memory will enter the Reset mode. In this mode, the output is high impedance.

Driving Reset ( $\overline{Reset}$ ) Low while an internal operation is in progress will affect this operation (write, program or erase cycle) and data may be lost.

**Top Sector Lock ( $\overline{TSL}$ ).** This input signal puts the device in the Hardware Protected mode, when Top Sector Lock ( $\overline{TSL}$ ) is connected to  $V_{SS}$ , causing the top 256 pages (upper addresses) of the memory to become read-only (protected from write, program and erase operations).

When Top Sector Lock ( $\overline{TSL}$ ) is connected to  $V_{CC}$ , the top 256 pages of memory behave like the other pages of memory.

### SPI MODES

These devices can be driven by a microcontroller with its SPI peripheral running in either of the two following modes:

- CPOL=0, CPHA=0
- CPOL=1, CPHA=1

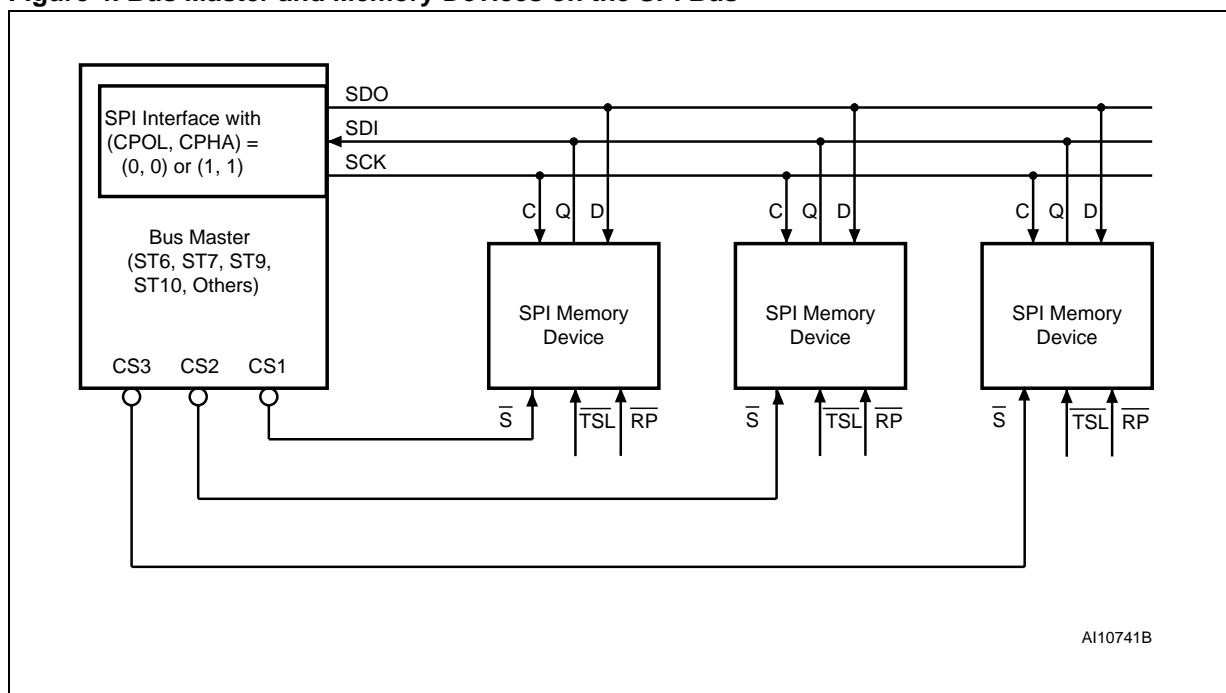
For these two modes, input data is latched in on the rising edge of Serial Clock (C), and output data

is available from the falling edge of Serial Clock (C).

The difference between the two modes, as shown in Figure 5., is the clock polarity when the bus master is in Standby mode and not transferring data:

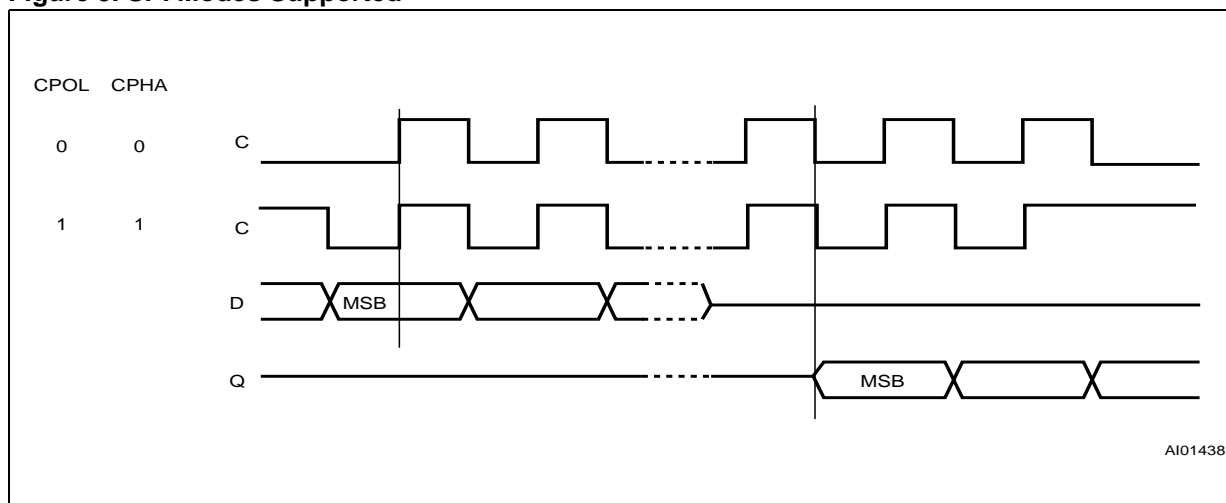
- C remains at 0 for (CPOL=0, CPHA=0)
- C remains at 1 for (CPOL=1, CPHA=1)

Figure 4. Bus Master and Memory Devices on the SPI Bus



Note: The Top Sector Lock (TSL) signal should be driven, High or Low as appropriate.

Figure 5. SPI Modes Supported



## OPERATING FEATURES

### Sharing the Overhead of Modifying Data

To write or program one (or more) data Bytes, two instructions are required: Write Enable (WREN), which is one Byte, and a Page Write (PW) or Page Program (PP) sequence, which consists of four Bytes plus data. This is followed by the internal cycle (of duration  $t_{PW}$  or  $t_{PP}$ ).

To share this overhead, the Page Write (PW) or Page Program (PP) instruction allows up to 256 Bytes to be programmed (changing bits from 1 to 0) or written (changing bits to 0 or 1) at a time, provided that they lie in consecutive addresses on the same page of memory.

### An Easy Way to Modify Data

The Page Write (PW) instruction provides a convenient way of modifying data (up to 256 contiguous Bytes at a time), and simply requires the start address, and the new data in the instruction sequence.

The Page Write (PW) instruction is entered by driving Chip Select ( $\overline{S}$ ) Low, and then transmitting the instruction Byte, three address Bytes (A23-A0) and at least one data Byte, and then driving Chip Select ( $\overline{S}$ ) High. While Chip Select ( $\overline{S}$ ) is being held Low, the data Bytes are written to the data buffer, starting at the address given in the third address Byte (A7-A0). When Chip Select ( $\overline{S}$ ) is driven High, the Write cycle starts. The remaining, unchanged, Bytes of the data buffer are automatically loaded with the values of the corresponding Bytes of the addressed memory page. The addressed memory page then automatically put into an Erase cycle. Finally, the addressed memory page is programmed with the contents of the data buffer.

All of this buffer management is handled internally, and is transparent to the user. The user is given the facility of being able to alter the contents of the memory on a Byte-by-Byte basis.

For optimized timings, it is recommended to use the Page Write (PW) instruction to write all consecutive targeted Bytes in a single sequence versus using several Page Write (PW) sequences with each containing only a few Bytes (see [Page Write \(PW\)](#) and [AC Characteristics \(33MHz operation\)](#)).

### A Fast Way to Modify Data

The Page Program (PP) instruction provides a fast way of modifying data (up to 256 contiguous Bytes at a time), provided that it only involves resetting bits to 0 that had previously been set to 1.

This might be:

- when the designer is programming the device for the first time

- when the designer knows that the page has already been erased by an earlier Page Erase (PE) or Sector Erase (SE) instruction. This is useful, for example, when storing a fast stream of data, having first performed the erase cycle when time was available
- when the designer knows that the only changes involve resetting bits to 0 that are still set to 1. When this method is possible, it has the additional advantage of minimising the number of unnecessary erase operations, and the extra stress incurred by each page.

For optimized timings, it is recommended to use the Page Program (PP) instruction to program all consecutive targeted Bytes in a single sequence versus using several Page Program (PP) sequences with each containing only a few Bytes (see [Page Program \(PP\)](#) and [AC Characteristics \(33MHz operation\)](#)).

### Polling During a Write, Program or Erase Cycle

A further improvement in the write, program or erase time can be achieved by not waiting for the worst case delay ( $t_{PW}$ ,  $t_{PP}$ ,  $t_{PE}$ , or  $t_{SE}$ ). The Write In Progress (WIP) bit is provided in the Status Register so that the application program can monitor its value, polling it to establish when the previous cycle is complete.

### Reset

An internal Power-On Reset circuit helps protect against inadvertent data writes. Addition protection is provided by driving Reset ( $\overline{Reset}$ ) Low during the Power-on process, and only driving it High when  $V_{CC}$  has reached the correct voltage level,  $V_{CC(min)}$ .

### Active Power, Standby Power and Deep Power-Down Modes

When Chip Select ( $\overline{S}$ ) is Low, the device is selected, and in the Active Power mode.

When Chip Select ( $\overline{S}$ ) is High, the device is deselected, but could remain in the Active Power mode until all internal cycles have completed (Program, Erase, Write). The device then goes in to the Standby Power mode. The device consumption drops to  $I_{CC1}$ .

The Deep Power-down mode is entered when the specific instruction (the Deep Power-down (DP) instruction) is executed. The device consumption drops further to  $I_{CC2}$ . The device remains in this mode until the Release from Deep Power-down instruction is executed.

All other instructions are ignored while the device is in the Deep Power-down mode. This can be used as an extra software protection mechanism, when the device is not in active use, to protect the

device from inadvertent Write, Program or Erase instructions.

### Status Register

The Status Register contains two status bits that can be read by the Read Status Register (RDSR) instruction.

**WIP bit.** The Write In Progress (WIP) bit indicates whether the memory is busy with a Write, Program or Erase cycle.

**WEL bit.** The Write Enable Latch (WEL) bit indicates the status of the internal Write Enable Latch.

**Table 2. Status Register Format**

|    |   |   |   |   |   |     |     |
|----|---|---|---|---|---|-----|-----|
| b7 |   |   |   |   |   | b0  |     |
| 0  | 0 | 0 | 0 | 0 | 0 | WEL | WIP |

Note: WEL and WIP are volatile read-only bits (WEL is set and reset by specific instructions; WIP is automatically set and reset by the internal logic of the device).

### Protection Modes

The environments where non-volatile memory devices are used can be very noisy. No SPI device can operate correctly in the presence of excessive noise. To help combat this, the M25PE10 and M25PE20 feature the following data protection mechanisms:

- Power On Reset and an internal timer ( $t_{PUW}$ ) can provide protection against inadvertent changes while the power supply is outside the operating specification.
- Program, Erase and Write instructions are checked that they consist of a number of clock

pulses that is a multiple of eight, before they are accepted for execution.

- All instructions that modify data must be preceded by a Write Enable (WREN) instruction to set the Write Enable Latch (WEL) bit. This bit is returned to its reset state by the following events:
  - Power-up
  - Reset ( $\overline{\text{RESET}}$ ) driven Low
  - Write Disable (WRDI) instruction completion
  - Page Write (PW) instruction completion
  - Page Program (PP) instruction completion
  - Page Erase (PE) instruction completion
  - Sector Erase (SE) instruction completion
- The Hardware Protected mode is entered when Top Sector Lock ( $\overline{\text{TSL}}$ ) is driven Low, causing the top 256 pages of memory to become read-only. When Top Sector Lock ( $\overline{\text{TSL}}$ ) is driven High, the top 256 pages of memory behave like the other pages of memory
- The Reset ( $\overline{\text{Reset}}$ ) signal can be driven Low to protect the contents of the memory during any critical time, not just during Power-up and Power-down.
- In addition to the low power consumption feature, the Deep Power-down mode offers extra software protection from inadvertent Write, Program and Erase instructions while the device is not in active use.



## MEMORY ORGANIZATION

The M25PE20 memory is organized as:

- 1024 pages (256 Bytes each).
- 262,144 Bytes (8 bits each)
- 4 sectors (512 Kbits, 65536 Bytes each)

The M25PE10 memory is organized as:

- 512 pages (256 Bytes each).
- 131,074 Bytes (8 bits each)
- 2 sectors (512 Kbits, 65536 Bytes each)

In the M25PE20 and M25PE10, each page can be individually:

- programmed (bits are programmed from 1 to 0)
- erased (bits are erased from 0 to 1)
- written (bits are changed to either 0 or 1)

The device is Page or Sector Erasable (bits are erased from 0 to 1).

**Table 3. M25PE20 Memory Organization**

| Sector | Address Range |        |
|--------|---------------|--------|
| 3      | 30000h        | 3FFFFh |
| 2      | 20000h        | 2FFFFh |
| 1      | 10000h        | 1FFFFh |
| 0      | 00000h        | 0FFFFh |

**Table 4. M25PE10 Memory Organization**

| Sector | Address Range |        |
|--------|---------------|--------|
| 1      | 10000h        | 1FFFFh |
| 0      | 00000h        | 0FFFFh |

Figure 6. M25PE20 Block Diagram

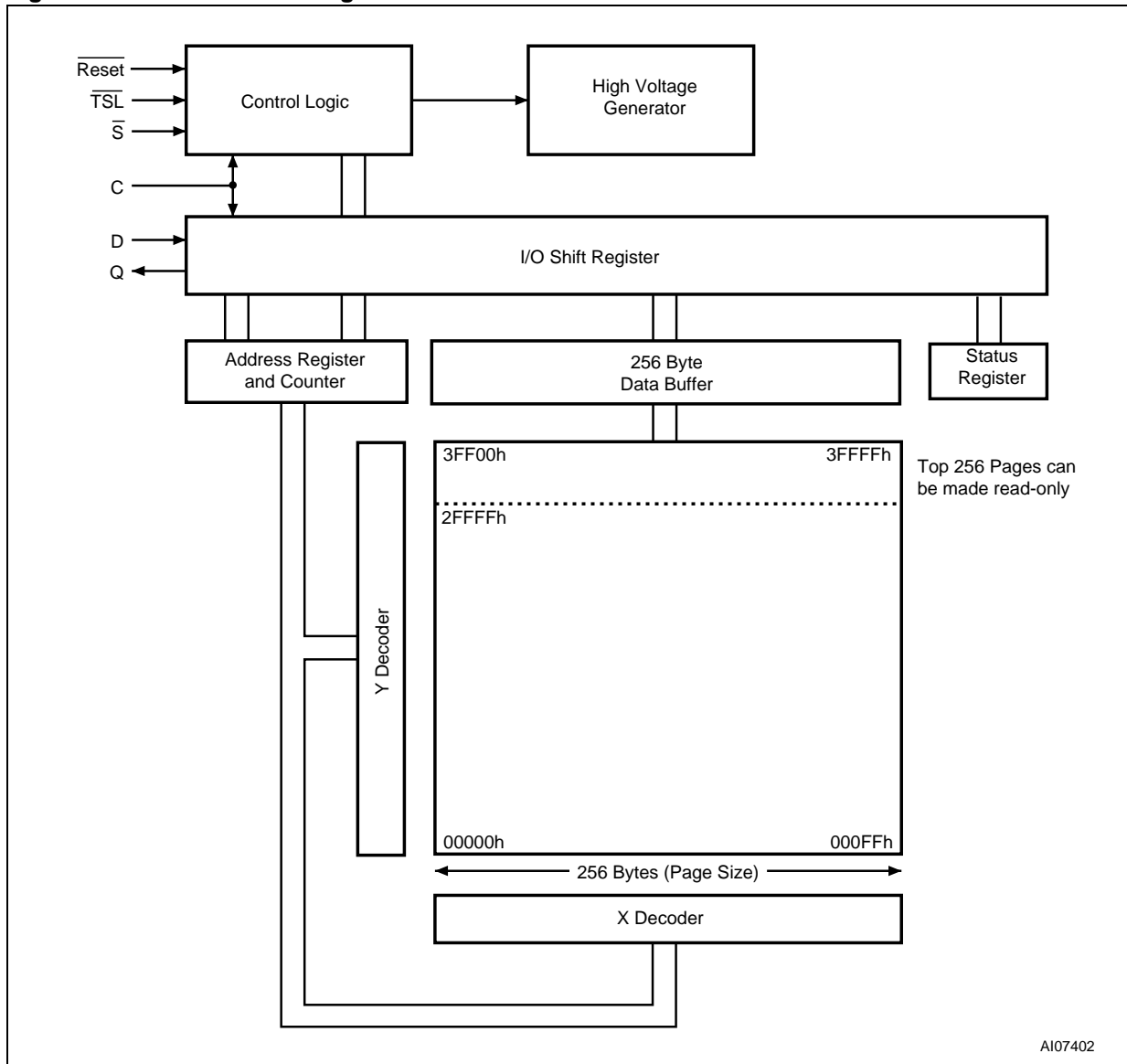
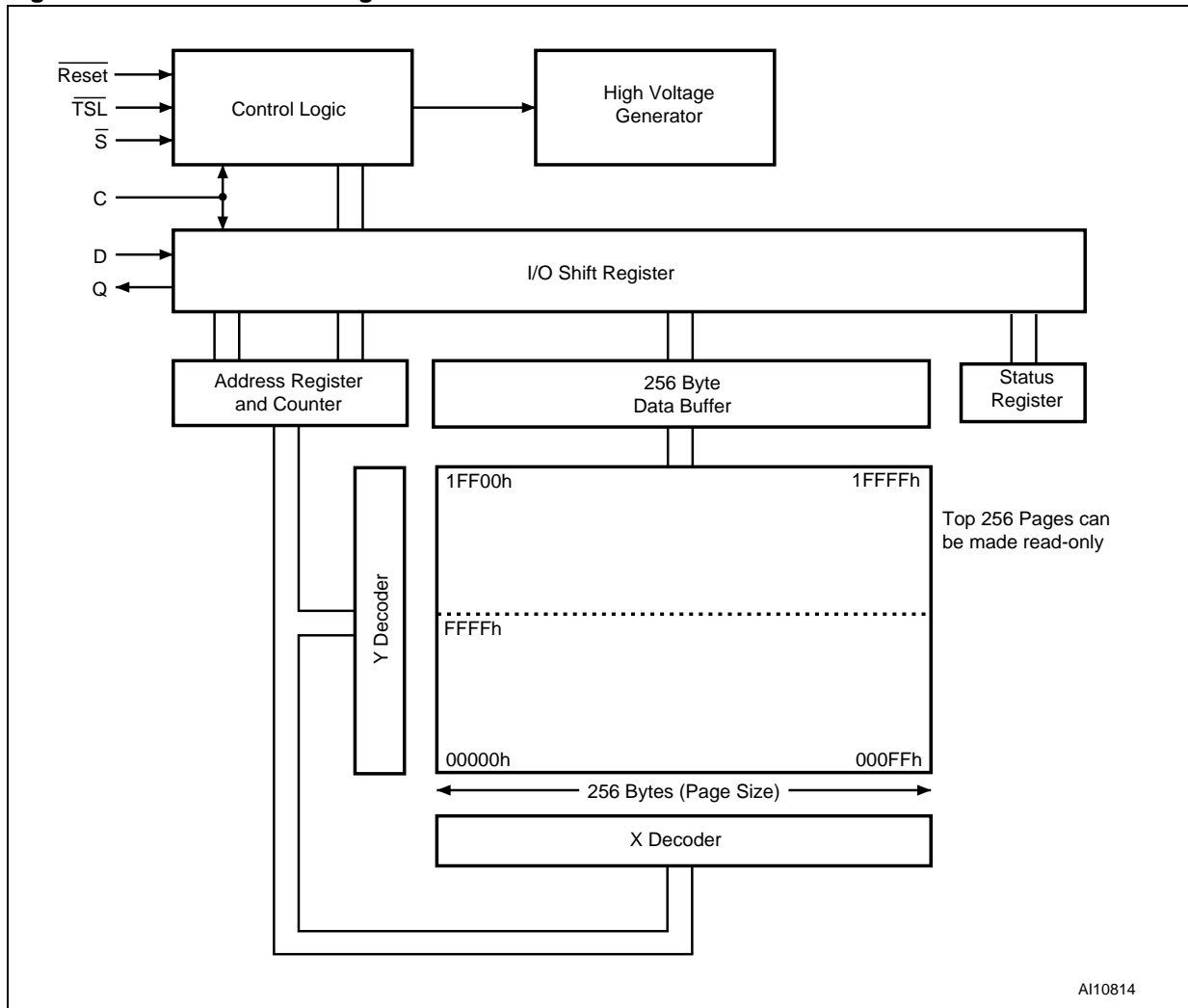


Figure 7. M25PE10 Block Diagram



## INSTRUCTIONS

All instructions, addresses and data are shifted in and out of the device, most significant bit first.

Serial Data Input (D) is sampled on the first rising edge of Serial Clock (C) after Chip Select ( $\bar{S}$ ) is driven Low. Then, the one-Byte instruction code must be shifted in to the device, most significant bit first, on Serial Data Input (D), each bit being latched on the rising edges of Serial Clock (C).

The instruction set is listed in [Table 5](#).

Every instruction sequence starts with a one-Byte instruction code. Depending on the instruction, this might be followed by address Bytes, or by data Bytes, or by both or none.

In the case of a Read Data Bytes (READ), Read Data Bytes at Higher Speed (Fast\_Read) or Read Status Register (RDSR) instruction, the shifted-in instruction sequence is followed by a data-out se-

quence. Chip Select ( $\bar{S}$ ) can be driven High after any bit of the data-out sequence is being shifted out.

In the case of a Page Write (PW), Page Program (PP), Page Erase (PE), Sector Erase (SE), Write Enable (WREN), Write Disable (WRDI), Deep Power-down (DP) or Release from Deep Power-down (RDP) instruction, Chip Select ( $\bar{S}$ ) must be driven High exactly at a Byte boundary, otherwise the instruction is rejected, and is not executed. That is, Chip Select ( $\bar{S}$ ) must driven High when the number of clock pulses after Chip Select ( $\bar{S}$ ) being driven Low is an exact multiple of eight.

All attempts to access the memory array during a Write cycle, Program cycle or Erase cycle are ignored, and the internal Write cycle, Program cycle or Erase cycle continues unaffected.

**Table 5. Instruction Set**

| Instruction | Description                     | One-Byte Instruction Code |     | Address Bytes | Dummy Bytes | Data Bytes |
|-------------|---------------------------------|---------------------------|-----|---------------|-------------|------------|
|             |                                 | Binary                    | Hex |               |             |            |
| WREN        | Write Enable                    | 0000 0110                 | 06h | 0             | 0           | 0          |
| WRDI        | Write Disable                   | 0000 0100                 | 04h | 0             | 0           | 0          |
| RDID        | Read Identification             | 1001 1111                 | 9Fh | 0             | 0           | 1 to 3     |
| RDSR        | Read Status Register            | 0000 0101                 | 05h | 0             | 0           | 1 to ∞     |
| READ        | Read Data Bytes                 | 0000 0011                 | 03h | 3             | 0           | 1 to ∞     |
| FAST_READ   | Read Data Bytes at Higher Speed | 0000 1011                 | 0Bh | 3             | 1           | 1 to ∞     |
| PW          | Page Write                      | 0000 1010                 | 0Ah | 3             | 0           | 1 to 256   |
| PP          | Page Program                    | 0000 0010                 | 02h | 3             | 0           | 1 to 256   |
| PE          | Page Erase                      | 1101 1011                 | DBh | 3             | 0           | 0          |
| SE          | Sector Erase                    | 1101 1000                 | D8h | 3             | 0           | 0          |
| DP          | Deep Power-down                 | 1011 1001                 | B9h | 0             | 0           | 0          |
| RDP         | Release from Deep Power-down    | 1010 1011                 | ABh | 0             | 0           | 0          |

**Write Enable (WREN)**

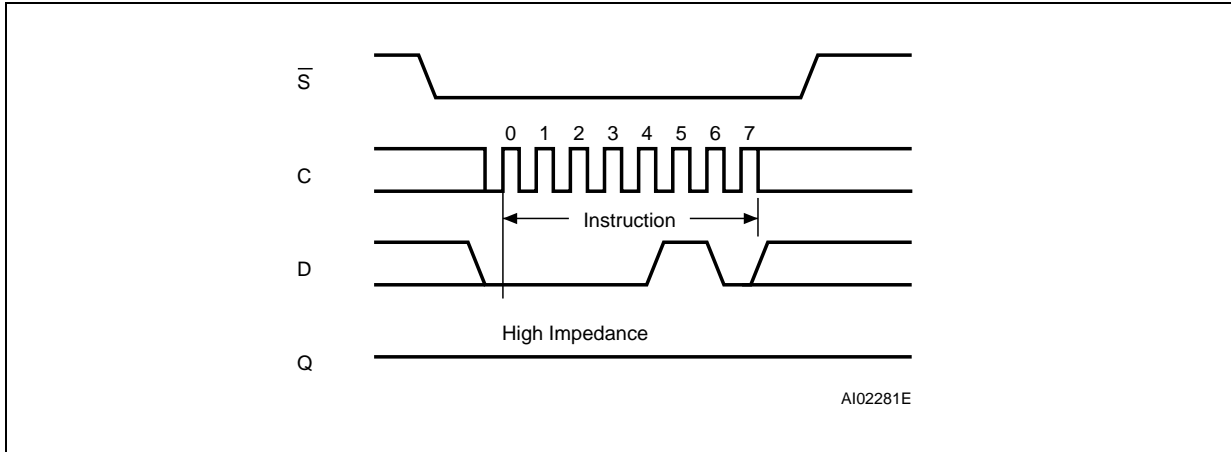
The Write Enable (WREN) instruction (Figure 8.) sets the Write Enable Latch (WEL) bit.

The Write Enable Latch (WEL) bit must be set prior to every Page Write (PW), Page Program (PP),

Page Erase (PE), and Sector Erase (SE) instruction.

The Write Enable (WREN) instruction is entered by driving Chip Select ( $\overline{S}$ ) Low, sending the instruction code, and then driving Chip Select ( $\overline{S}$ ) High.

**Figure 8. Write Enable (WREN) Instruction Sequence**



**Write Disable (WRDI)**

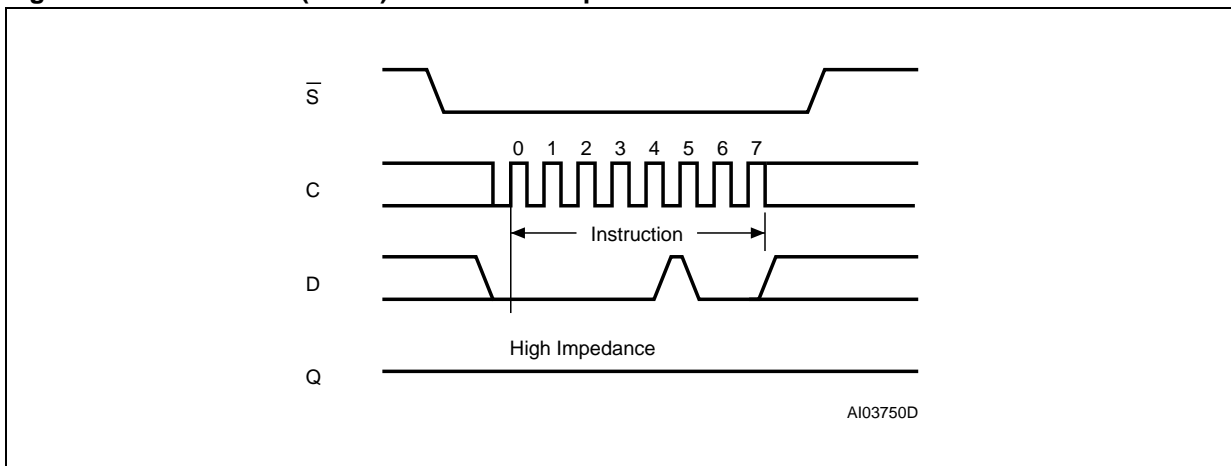
The Write Disable (WRDI) instruction (Figure 9.) resets the Write Enable Latch (WEL) bit.

The Write Disable (WRDI) instruction is entered by driving Chip Select ( $\overline{S}$ ) Low, sending the instruction code, and then driving Chip Select ( $\overline{S}$ ) High.

The Write Enable Latch (WEL) bit is reset under the following conditions:

- Power-up
- Write Disable (WRDI) instruction completion
- Page Write (PW) instruction completion
- Page Program (PP) instruction completion
- Page Erase (PE) instruction completion
- Sector Erase (SE) instruction completion

**Figure 9. Write Disable (WRDI) Instruction Sequence**



## M25PE10, M25PE20

### Read Identification (RDID)

The Read Identification (RDID) instruction allows the 8-bit manufacturer identification to be read, followed by two Bytes of device identification. The manufacturer identification is assigned by JEDEC, and has the value 20h for STMicroelectronics. The device identification is assigned by the device manufacturer, and indicates the memory type in the first Byte (80h), and the memory capacity of the device in the second Byte (12h for the M25PE20 and 11h for the M25PE10).

Any Read Identification (RDID) instruction while an Erase or Program cycle is in progress, is not decoded, and has no effect on the cycle that is in progress.

The device is first selected by driving Chip Select ( $\bar{S}$ ) Low. Then, the 8-bit instruction code for the instruction is shifted in. This is followed by the 24-bit device identification, stored in the memory, being shifted out on Serial Data Output (Q), each bit being shifted out during the falling edge of Serial Clock (C).

The instruction sequence is shown in [Figure 10](#).

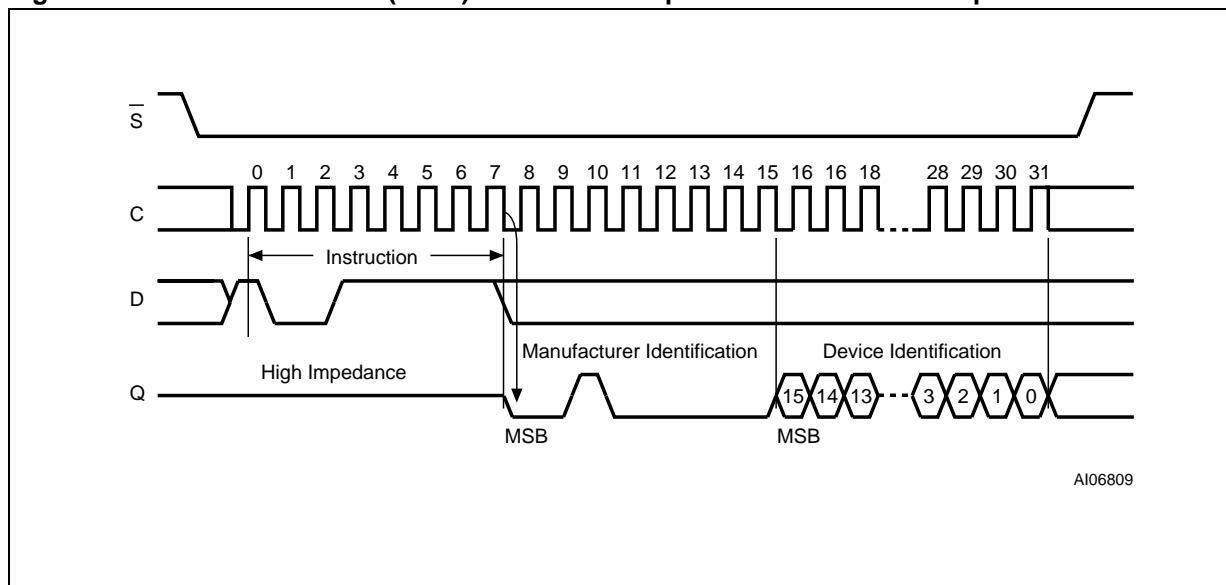
The Read Identification (RDID) instruction is terminated by driving Chip Select ( $\bar{S}$ ) High at any time during data output.

When Chip Select ( $\bar{S}$ ) is driven High, the device is put in the Standby Power mode. Once in the Standby Power mode, the device waits to be selected, so that it can receive, decode and execute instructions.

**Table 6. Read Identification (RDID) Data-Out Sequence**

| Manufacturer Identification | Device Identification |                 |
|-----------------------------|-----------------------|-----------------|
|                             | Memory Type           | Memory Capacity |
| 20h                         | 80h                   | 12h (M25PE20)   |
| 20h                         | 80h                   | 11h (M25PE10)   |

**Figure 10. Read Identification (RDID) Instruction Sequence and Data-Out Sequence**



**Read Status Register (RDSR)**

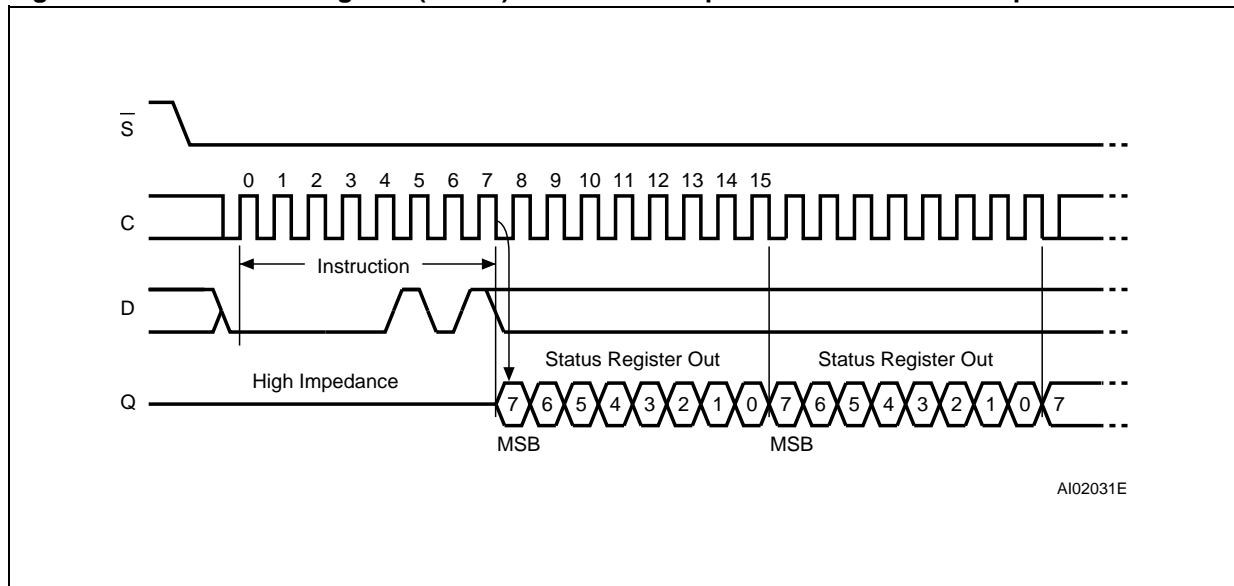
The Read Status Register (RDSR) instruction allows the Status Register to be read. The Status Register may be read at any time, even while a Program, Erase or Write cycle is in progress. When one of these cycles is in progress, it is recommended to check the Write In Progress (WIP) bit before sending a new instruction to the device. It is also possible to read the Status Register continuously, as shown in Figure 11.

The status bits of the Status Register are as follows:

**WIP bit.** The Write In Progress (WIP) bit indicates whether the memory is busy with a Write, Program or Erase cycle. When set to 1, such a cycle is in progress, when reset to 0 no such cycle is in progress.

**WEL bit.** The Write Enable Latch (WEL) bit indicates the status of the internal Write Enable Latch. When set to 1 the internal Write Enable Latch is set, when set to 0 the internal Write Enable Latch is reset and no Write, Program or Erase instruction is accepted.

**Figure 11. Read Status Register (RDSR) Instruction Sequence and Data-Out Sequence**



**Read Data Bytes (READ)**

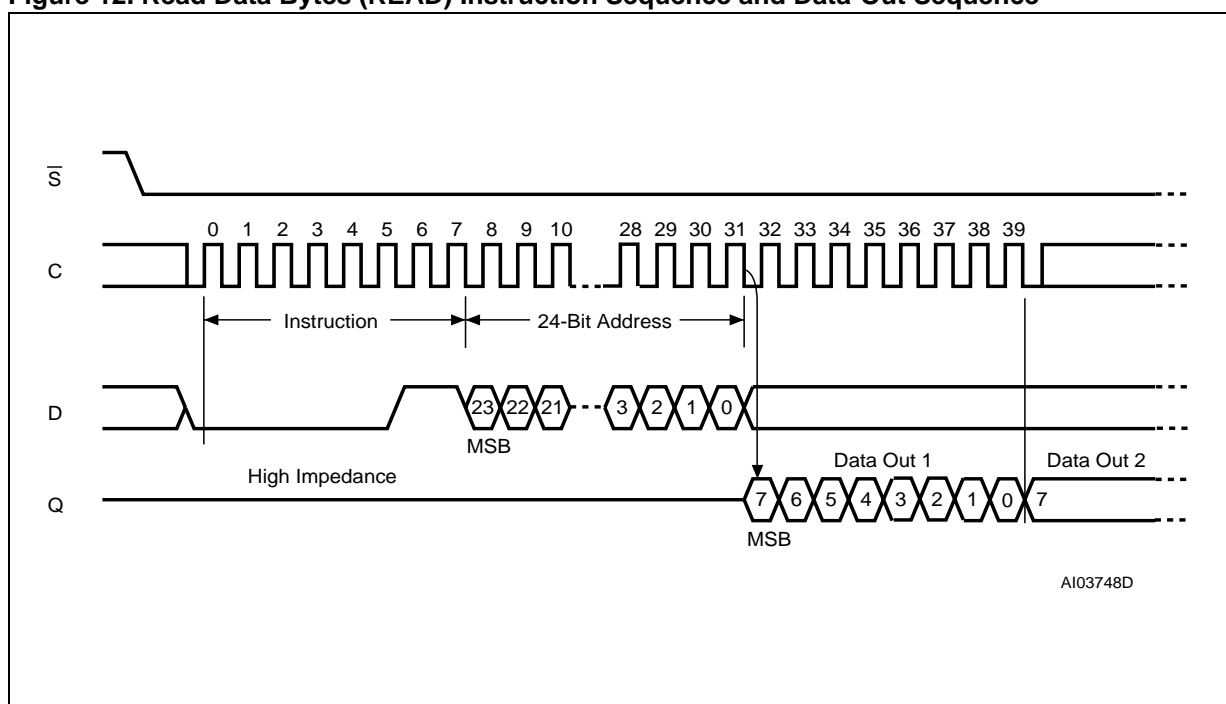
The device is first selected by driving Chip Select ( $\bar{S}$ ) Low. The instruction code for the Read Data Bytes (READ) instruction is followed by a 3-Byte address (A23-A0), each bit being latched-in during the rising edge of Serial Clock (C). Then the memory contents, at that address, is shifted out on Serial Data Output (Q), each bit being shifted out, at a maximum frequency  $f_R$ , during the falling edge of Serial Clock (C).

The instruction sequence is shown in Figure 12. The first Byte addressed can be at any location. The address is automatically incremented to the

next higher address after each Byte of data is shifted out. The whole memory can, therefore, be read with a single Read Data Bytes (READ) instruction. When the highest address is reached, the address counter rolls over to 000000h, allowing the read sequence to be continued indefinitely.

The Read Data Bytes (READ) instruction is terminated by driving Chip Select ( $\bar{S}$ ) High. Chip Select ( $\bar{S}$ ) can be driven High at any time during data output. Any Read Data Bytes (READ) instruction, while an Erase, Program or Write cycle is in progress, is rejected without having any effects on the cycle that is in progress.

**Figure 12. Read Data Bytes (READ) Instruction Sequence and Data-Out Sequence**



Note: Address bits A23 to A18 are Don't Care in the M25PE20. Address bits A23 to A17 are Don't Care in the M25PE10.



**Read Data Bytes at Higher Speed (FAST\_READ)**

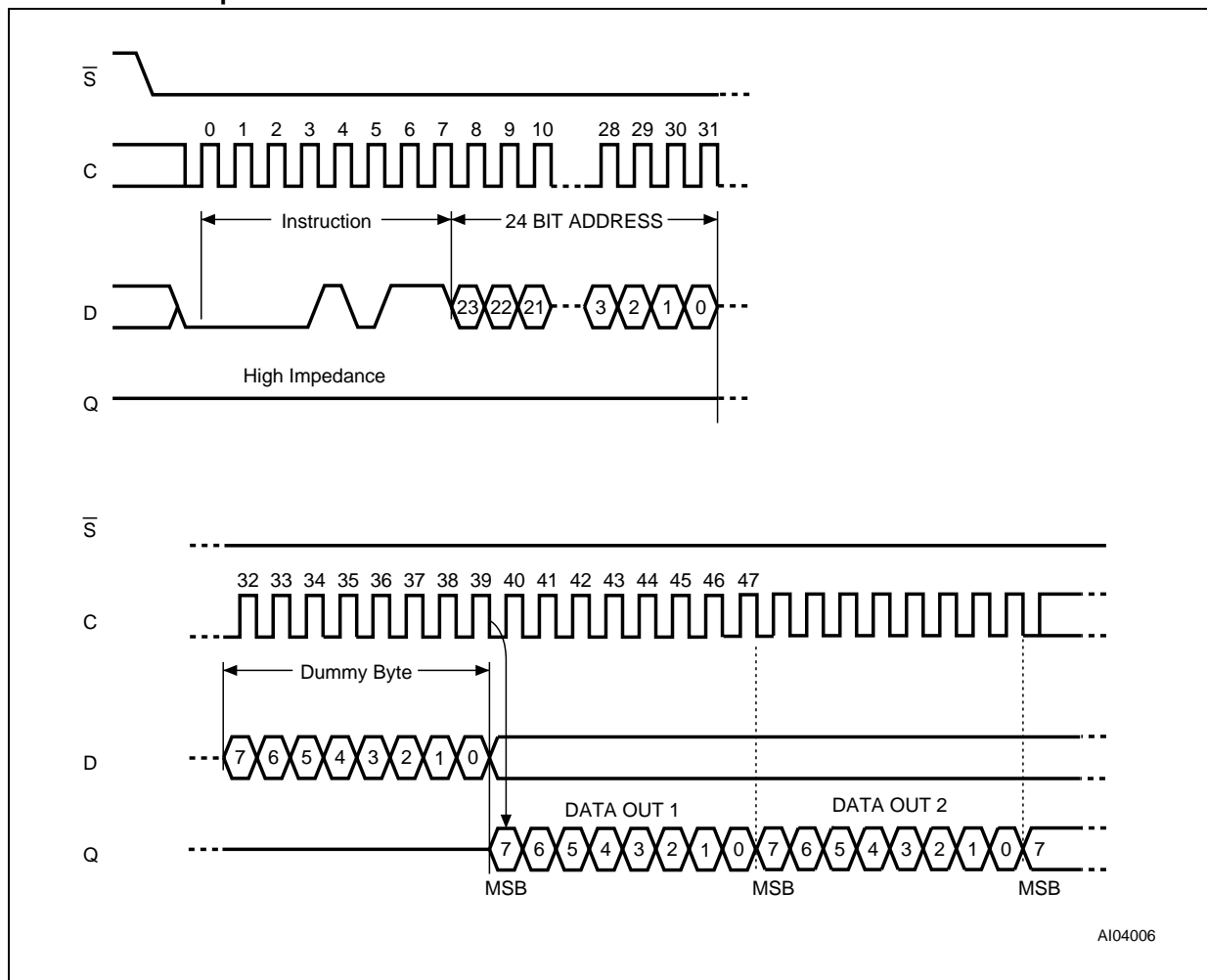
The device is first selected by driving Chip Select ( $\bar{S}$ ) Low. The instruction code for the Read Data Bytes at Higher Speed (FAST\_READ) instruction is followed by a 3-Byte address (A23-A0) and a dummy Byte, each bit being latched-in during the rising edge of Serial Clock (C). Then the memory contents, at that address, is shifted out on Serial Data Output (Q), each bit being shifted out, at a maximum frequency  $f_C$ , during the falling edge of Serial Clock (C).

The instruction sequence is shown in Figure 13. The first Byte addressed can be at any location. The address is automatically incremented to the

next higher address after each Byte of data is shifted out. The whole memory can, therefore, be read with a single Read Data Bytes at Higher Speed (FAST\_READ) instruction. When the highest address is reached, the address counter rolls over to 000000h, allowing the read sequence to be continued indefinitely.

The Read Data Bytes at Higher Speed (FAST\_READ) instruction is terminated by driving Chip Select ( $\bar{S}$ ) High. Chip Select ( $\bar{S}$ ) can be driven High at any time during data output. Any Read Data Bytes at Higher Speed (FAST\_READ) instruction, while an Erase, Program or Write cycle is in progress, is rejected without having any effects on the cycle that is in progress.

**Figure 13. Read Data Bytes at Higher Speed (FAST\_READ) Instruction Sequence and Data-Out Sequence**



Note: Address bits A23 to A18 are Don't Care in the M25PE20. Address bits A23 to A17 are Don't Care in the M25PE10.

**Page Write (PW)**

The Page Write (PW) instruction allows Bytes to be written in the memory. Before it can be accepted, a Write Enable (WREN) instruction must previously have been executed. After the Write Enable (WREN) instruction has been decoded, the device sets the Write Enable Latch (WEL).

The Page Write (PW) instruction is entered by driving Chip Select ( $\bar{S}$ ) Low, followed by the instruction code, three address Bytes and at least one data Byte on Serial Data Input (D). The rest of the page remains unchanged if no power failure occurs during this write cycle.

The Page Write (PW) instruction performs a page erase cycle even if only one Byte is updated.

If the 8 least significant address bits (A7-A0) are not all zero, all transmitted data exceeding the addressed page boundary roll over, and are written from the start address of the same page (the one whose 8 least significant address bits (A7-A0) are all zero). Chip Select ( $\bar{S}$ ) must be driven Low for the entire duration of the sequence.

The instruction sequence is shown in Figure 14.

If more than 256 Bytes are sent to the device, previously latched data are discarded and the last 256 data Bytes are guaranteed to be written correctly within the same page. If less than 256 Data Bytes are sent to device, they are correctly written at the

requested addresses without having any effects on the other Bytes of the same page.

For optimized timings, it is recommended to use the Page Write (PW) instruction to write all consecutive targeted Bytes in a single sequence versus using several Page Write (PW) sequences with each containing only a few Bytes (see [AC Characteristics \(33MHz operation\)](#)).

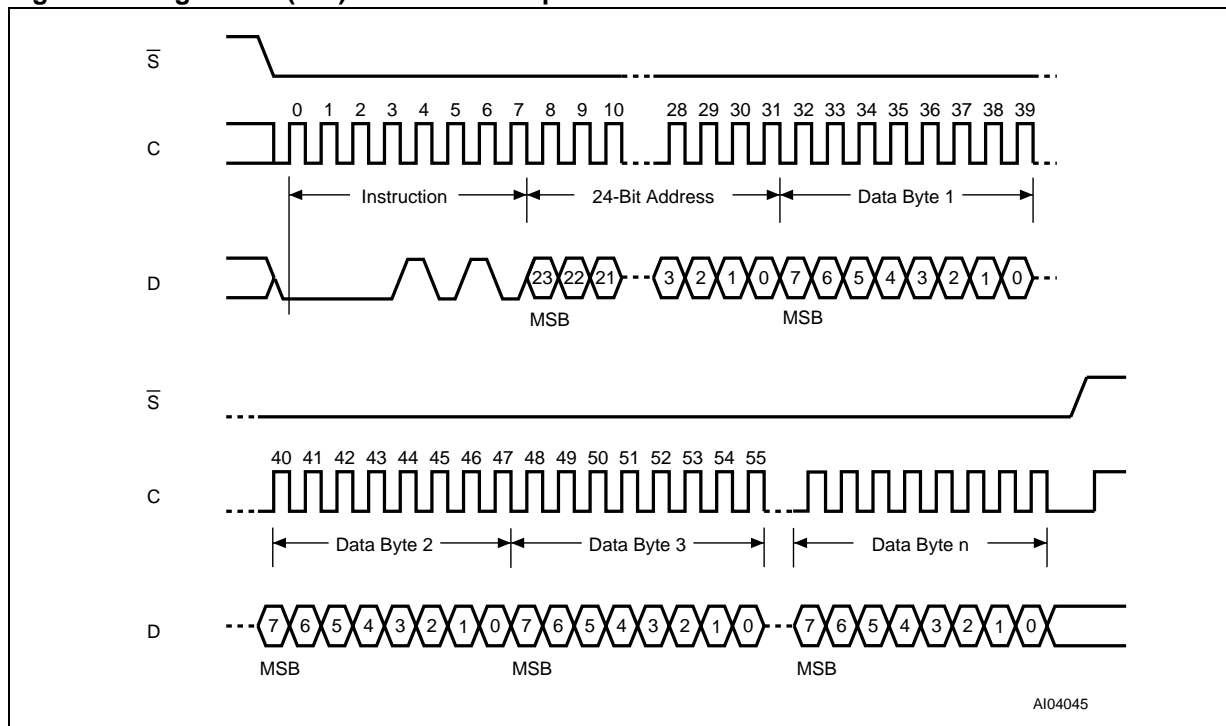
Chip Select ( $\bar{S}$ ) must be driven High after the eighth bit of the last data Byte has been latched in, otherwise the Page Write (PW) instruction is not executed.

As soon as Chip Select ( $\bar{S}$ ) is driven High, the self-timed Page Write cycle (whose duration is  $t_{PW}$ ) is initiated. While the Page Write cycle is in progress, the Status Register may be read to check the value of the Write In Progress (WIP) bit. The Write In Progress (WIP) bit is 1 during the self-timed Page Write cycle, and is 0 when it is completed. At some unspecified time before the cycle is complete, the Write Enable Latch (WEL) bit is reset.

A Page Write (PW) instruction applied to a page that is Hardware Protected is not executed.

Any Page Write (PW) instruction, while an Erase, Program or Write cycle is in progress, is rejected without having any effects on the cycle that is in progress.

**Figure 14. Page Write (PW) Instruction Sequence**



Note: 1. Address bits A23 to A18 are Don't Care in the M25PE20. Address bits A23 to A17 are Don't Care in the M25PE10.  
 2.  $1 \leq n \leq 256$



**Page Program (PP)**

The Page Program (PP) instruction allows Bytes to be programmed in the memory (changing bits from 1 to 0, only). Before it can be accepted, a Write Enable (WREN) instruction must previously have been executed. After the Write Enable (WREN) instruction has been decoded, the device sets the Write Enable Latch (WEL).

The Page Program (PP) instruction is entered by driving Chip Select ( $\bar{S}$ ) Low, followed by the instruction code, three address Bytes and at least one data Byte on Serial Data Input (D). If the 8 least significant address bits (A7-A0) are not all zero, all transmitted data exceeding the addressed page boundary roll over, and are programmed from the start address of the same page (the one whose 8 least significant address bits (A7-A0) are all zero). Chip Select ( $\bar{S}$ ) must be driven Low for the entire duration of the sequence.

The instruction sequence is shown in Figure 15.

If more than 256 Bytes are sent to the device, previously latched data are discarded and the last 256 data Bytes are guaranteed to be programmed correctly within the same page. If less than 256 Data Bytes are sent to device, they are correctly programmed at the requested addresses without having any effects on the other Bytes of the same page.

For optimized timings, it is recommended to use the Page Program (PP) instruction to program all consecutive targeted Bytes in a single sequence versus using several Page Program (PP) sequences with each containing only a few Bytes (see AC Characteristics (33MHz operation)).

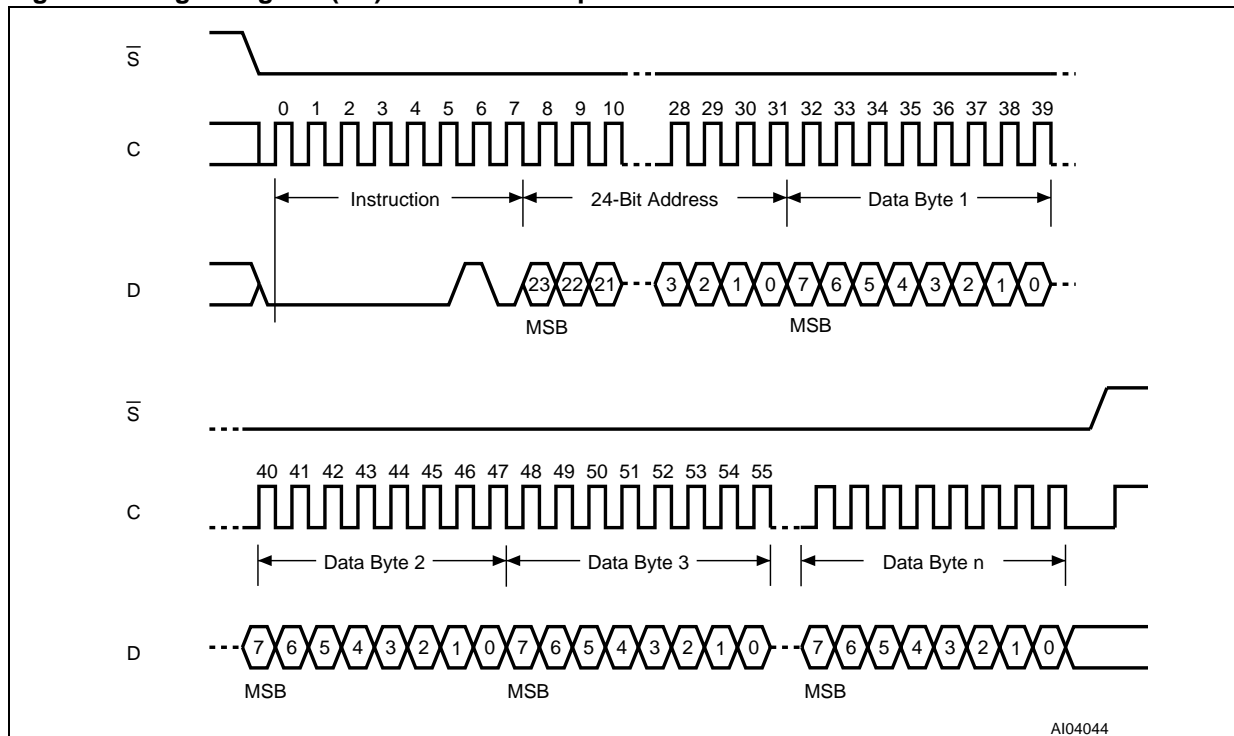
Chip Select ( $\bar{S}$ ) must be driven High after the eighth bit of the last data Byte has been latched in, otherwise the Page Program (PP) instruction is not executed.

As soon as Chip Select ( $\bar{S}$ ) is driven High, the self-timed Page Program cycle (whose duration is  $t_{PP}$ ) is initiated. While the Page Program cycle is in progress, the Status Register may be read to check the value of the Write In Progress (WIP) bit. The Write In Progress (WIP) bit is 1 during the self-timed Page Program cycle, and is 0 when it is completed. At some unspecified time before the cycle is complete, the Write Enable Latch (WEL) bit is reset.

A Page Program (PP) instruction applied to a page that is Hardware Protected is not executed.

Any Page Program (PP) instruction, while an Erase, Program or Write cycle is in progress, is rejected without having any effects on the cycle that is in progress.

**Figure 15. Page Program (PP) Instruction Sequence**



Note: 1. Address bits A23 to A18 are Don't Care in the M25PE20. Address bits A23 to A17 are Don't Care in the M25PE10.  
 2.  $1 \leq n \leq 256$

**Page Erase (PE)**

The Page Erase (PE) instruction sets to 1 (FFh) all bits inside the chosen page. Before it can be accepted, a Write Enable (WREN) instruction must previously have been executed. After the Write Enable (WREN) instruction has been decoded, the device sets the Write Enable Latch (WEL).

The Page Erase (PE) instruction is entered by driving Chip Select ( $\bar{S}$ ) Low, followed by the instruction code, and three address Bytes on Serial Data Input (D). Any address inside the Page is a valid address for the Page Erase (PE) instruction. Chip Select ( $\bar{S}$ ) must be driven Low for the entire duration of the sequence.

The instruction sequence is shown in Figure 16.

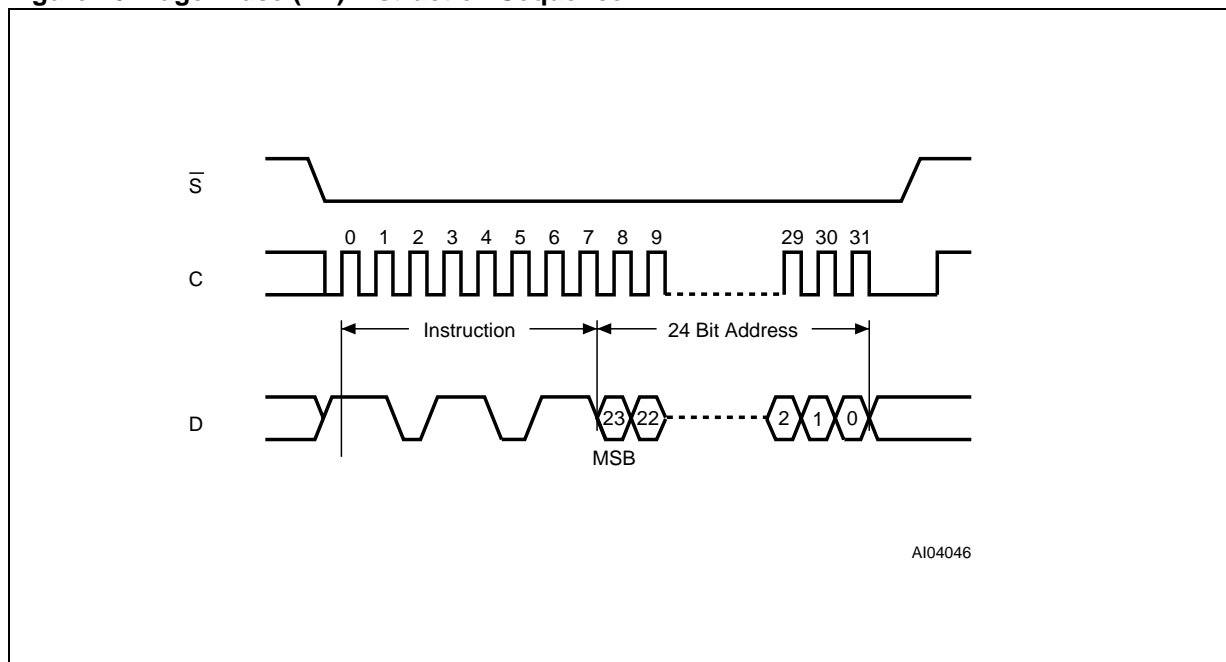
Chip Select ( $\bar{S}$ ) must be driven High after the eighth bit of the last address Byte has been

latched in, otherwise the Page Erase (PE) instruction is not executed. As soon as Chip Select ( $\bar{S}$ ) is driven High, the self-timed Page Erase cycle (whose duration is  $t_{PE}$ ) is initiated. While the Page Erase cycle is in progress, the Status Register may be read to check the value of the Write In Progress (WIP) bit. The Write In Progress (WIP) bit is 1 during the self-timed Page Erase cycle, and is 0 when it is completed. At some unspecified time before the cycle is complete, the Write Enable Latch (WEL) bit is reset.

A Page Erase (PE) instruction applied to a page that is Hardware Protected is not executed.

Any Page Erase (PE) instruction, while an Erase, Program or Write cycle is in progress, is rejected without having any effects on the cycle that is in progress.

**Figure 16. Page Erase (PE) Instruction Sequence**



Note: Address bits A23 to A18 are Don't Care in the M25PE20. Address bits A23 to A17 are Don't Care in the M25PE10.

### Sector Erase (SE)

The Sector Erase (SE) instruction sets to 1 (FFh) all bits inside the chosen sector. Before it can be accepted, a Write Enable (WREN) instruction must previously have been executed. After the Write Enable (WREN) instruction has been decoded, the device sets the Write Enable Latch (WEL).

The Sector Erase (SE) instruction is entered by driving Chip Select ( $\bar{S}$ ) Low, followed by the instruction code, and three address Bytes on Serial Data Input (D). Any address inside the Sector (see Table 3.) is a valid address for the Sector Erase (SE) instruction. Chip Select ( $\bar{S}$ ) must be driven Low for the entire duration of the sequence.

The instruction sequence is shown in Figure 17.

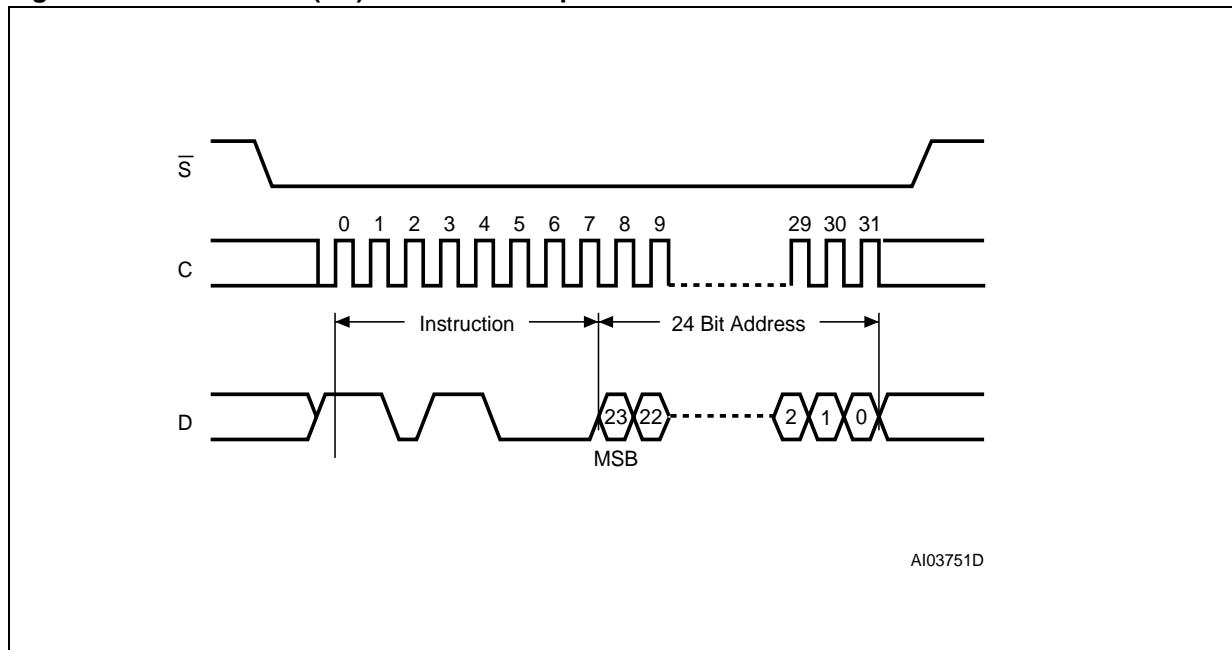
Chip Select ( $\bar{S}$ ) must be driven High after the eighth bit of the last address Byte has been latched in, otherwise the Sector Erase (SE) in-

struction is not executed. As soon as Chip Select ( $\bar{S}$ ) is driven High, the self-timed Sector Erase cycle (whose duration is  $t_{SE}$ ) is initiated. While the Sector Erase cycle is in progress, the Status Register may be read to check the value of the Write In Progress (WIP) bit. The Write In Progress (WIP) bit is 1 during the self-timed Sector Erase cycle, and is 0 when it is completed. At some unspecified time before the cycle is complete, the Write Enable Latch (WEL) bit is reset.

A Sector Erase (SE) instruction applied to a sector that contains a page that is Hardware Protected is not executed.

Any Sector Erase (SE) instruction, while an Erase, Program or Write cycle is in progress, is rejected without having any effects on the cycle that is in progress.

**Figure 17. Sector Erase (SE) Instruction Sequence**



Note: Address bits A23 to A18 are Don't Care in the M25PE20. Address bits A23 to A17 are Don't Care in the M25PE10.

**Deep Power-down (DP)**

Executing the Deep Power-down (DP) instruction is the only way to put the device in the lowest consumption mode (the Deep Power-down mode). It can also be used as an extra software protection mechanism, while the device is not in active use, since in this mode, the device ignores all Write, Program and Erase instructions.

Driving Chip Select ( $\bar{S}$ ) High deselects the device, and puts the device in Standby Power mode (if there is no internal cycle currently in progress). But this mode is not the Deep Power-down mode. The Deep Power-down mode can only be entered by executing the Deep Power-down (DP) instruction, subsequently reducing the standby current (from  $I_{CC1}$  to  $I_{CC2}$ , as specified in Table 12.).

Once the device has entered the Deep Power-down mode, all instructions are ignored except the Release from Deep Power-down (RDP) instruction. This releases the device from this mode.

The Deep Power-down mode automatically stops at Power-down, and the device always Powers-up in Standby Power mode.

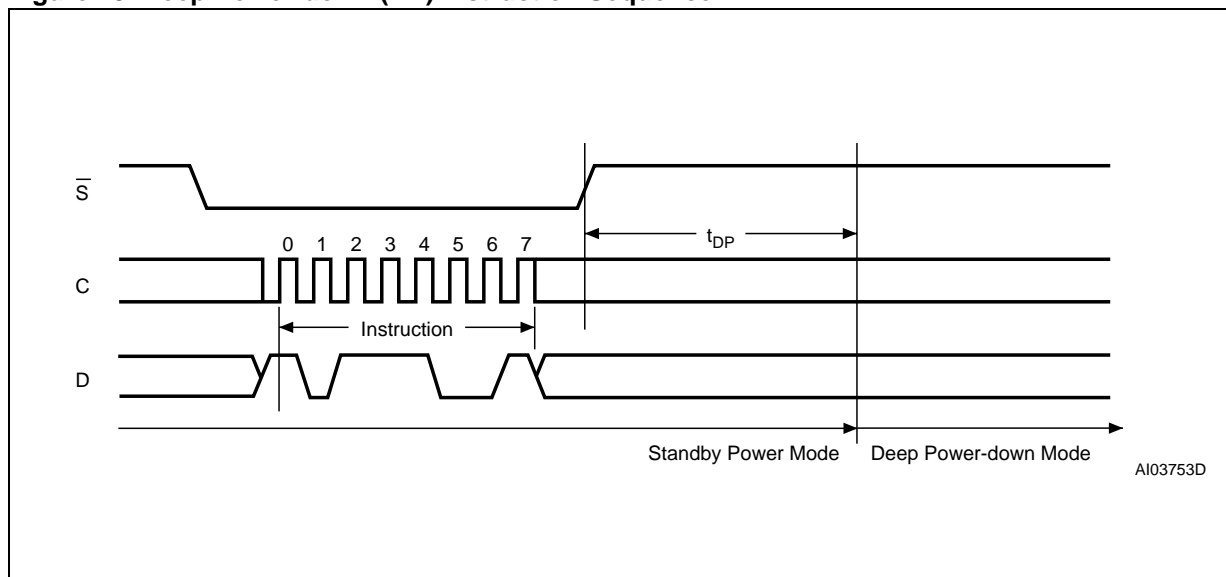
The Deep Power-down (DP) instruction is entered by driving Chip Select ( $\bar{S}$ ) Low, followed by the instruction code on Serial Data Input (D). Chip Select ( $\bar{S}$ ) must be driven Low for the entire duration of the sequence.

The instruction sequence is shown in Figure 18.

Chip Select ( $\bar{S}$ ) must be driven High after the eighth bit of the instruction code has been latched in, otherwise the Deep Power-down (DP) instruction is not executed. As soon as Chip Select ( $\bar{S}$ ) is driven High, it requires a delay of  $t_{DP}$  before the supply current is reduced to  $I_{CC2}$  and the Deep Power-down mode is entered.

Any Deep Power-down (DP) instruction, while an Erase, Program or Write cycle is in progress, is rejected without having any effects on the cycle that is in progress.

**Figure 18. Deep Power-down (DP) Instruction Sequence**



### Release from Deep Power-down (RDP)

Once the device has entered the Deep Power-down mode, all instructions are ignored except the Release from Deep Power-down (RDP) instruction. Executing this instruction takes the device out of the Deep Power-down mode.

The Release from Deep Power-down (RDP) instruction is entered by driving Chip Select ( $\overline{S}$ ) Low, followed by the instruction code on Serial Data Input (D). Chip Select ( $\overline{S}$ ) must be driven Low for the entire duration of the sequence.

The instruction sequence is shown in Figure 19.

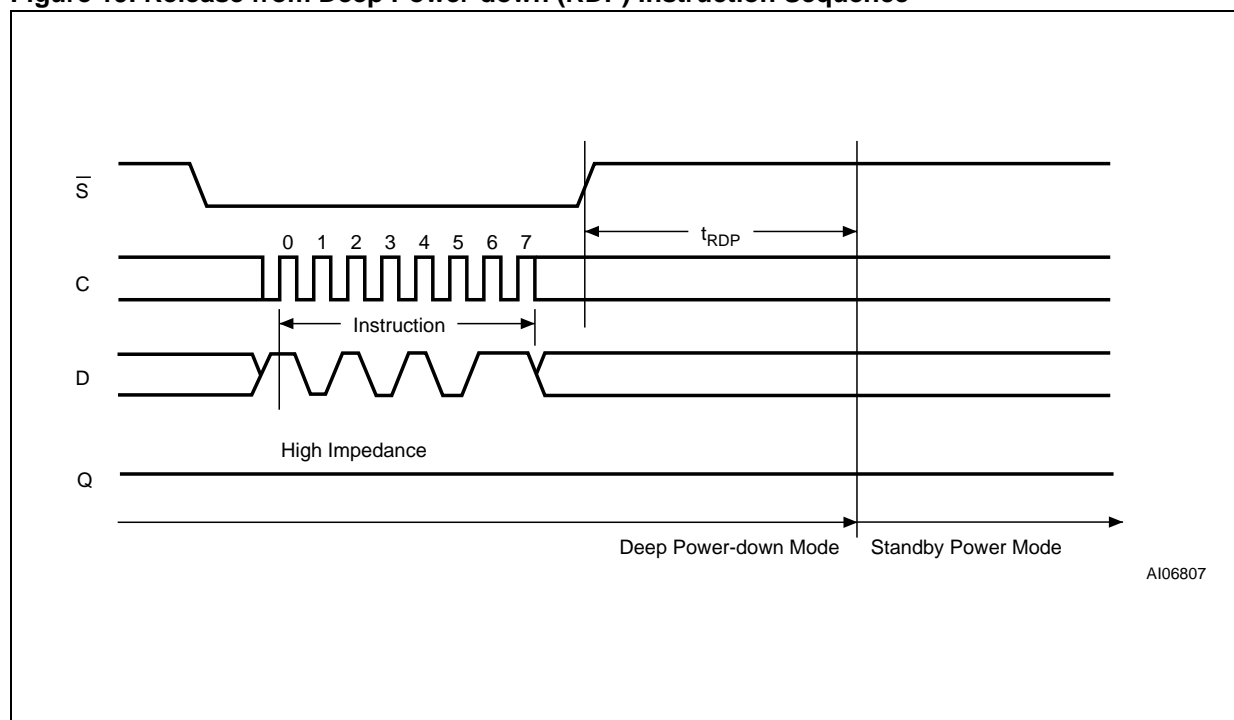
The Release from Deep Power-down (RDP) instruction is terminated by driving Chip Select ( $\overline{S}$ )

High. Sending additional clock cycles on Serial Clock (C), while Chip Select ( $\overline{S}$ ) is driven Low, cause the instruction to be rejected, and not executed.

After Chip Select ( $\overline{S}$ ) has been driven High, followed by a delay,  $t_{RDP}$ , the device is put in Standby Power mode. Chip Select ( $\overline{S}$ ) must remain High at least until this period is over. The device waits to be selected, so that it can receive, decode and execute instructions.

Any Release from Deep Power-down (RDP) instruction, while an Erase, Program or Write cycle is in progress, is rejected without having any effects on the cycle that is in progress.

**Figure 19. Release from Deep Power-down (RDP) Instruction Sequence**



AI06807

### POWER-UP AND POWER-DOWN

At Power-up and Power-down, the device must not be selected (that is Chip Select ( $\overline{S}$ ) must follow the voltage applied on  $V_{CC}$ ) until  $V_{CC}$  reaches the correct value:

- $V_{CC}(\text{min})$  at Power-up, and then for a further delay of  $t_{VSL}$
- $V_{SS}$  at Power-down

Usually a simple pull-up resistor on Chip Select ( $\overline{S}$ ) can be used to ensure safe and proper Power-up and Power-down.

To avoid data corruption and inadvertent write operations during power up, a Power On Reset (POR) circuit is included. The logic inside the device is held reset while  $V_{CC}$  is less than the Power On Reset (POR) threshold value,  $V_{WI}$  – all operations are disabled, and the device does not respond to any instruction.

Moreover, the device ignores all Write Enable (WREN), Page Write (PW), Page Program (PP), Page Erase (PE) and Sector Erase (SE) instructions until a time delay of  $t_{PUW}$  has elapsed after the moment that  $V_{CC}$  rises above the  $V_{WI}$  threshold. However, the correct operation of the device is not guaranteed if, by this time,  $V_{CC}$  is still below  $V_{CC}(\text{min})$ . No Write, Program or Erase instructions should be sent until the later of:

- $t_{PUW}$  after  $V_{CC}$  passed the  $V_{WI}$  threshold
- $t_{VSL}$  after  $V_{CC}$  passed the  $V_{CC}(\text{min})$  level

These values are specified in [Table 7](#).

If the delay,  $t_{VSL}$ , has elapsed, after  $V_{CC}$  has risen above  $V_{CC}(\text{min})$ , the device can be selected for READ instructions even if the  $t_{PUW}$  delay is not yet fully elapsed.

As an extra protection, the Reset ( $\overline{\text{Reset}}$ ) signal could be driven Low for the whole duration of the Power-up and Power-down phases.

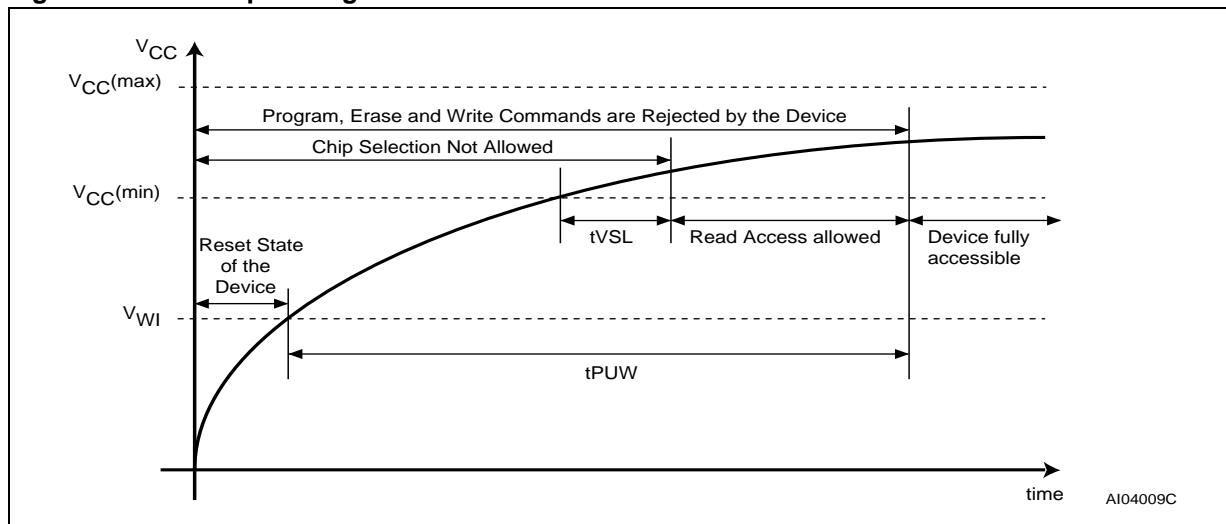
At Power-up, the device is in the following state:

- The device is in the Standby Power mode (not the Deep Power-down mode).
- The Write Enable Latch (WEL) bit is reset.

Normal precautions must be taken for supply rail decoupling, to stabilize the VCC supply. Each device in a system should have the VCC rail decoupled by a suitable capacitor close to the package pins. (Generally, this capacitor is of the order of 0.1  $\mu\text{F}$ ).

At Power-down, when VCC drops from the operating voltage, to below the Power On Reset (POR) threshold voltage,  $V_{WI}$ , all operations are disabled and the device does not respond to any instruction. (The designer needs to be aware that if a Power-down occurs while a Write, Program or Erase cycle is in progress, some data corruption can result.)

Figure 20. Power-up Timing





**Table 7. Power-Up Timing and  $V_{WI}$  Threshold**

| Symbol      | Parameter   | Min. | Max. | Unit          |
|-------------|---|------|------|---------------|
| $t_{VSL}^1$ | $V_{CC}(\text{min})$ to $\bar{S}$ low                           | 30   |      | $\mu\text{s}$ |
| $t_{PUW}^1$ | Time delay before the first Write, Program or Erase instruction | 1    | 10   | ms            |
| $V_{WI}^1$  | Write Inhibit Voltage   | 1.5  | 2.5  | V             |

Note: 1. These parameters are characterized only, over the temperature range  $-40^{\circ}\text{C}$  to  $+85^{\circ}\text{C}$ .

## INITIAL DELIVERY STATE

The device is delivered with the memory array erased: all bits are set to 1 (each Byte contains FFh). All usable Status Register bits are 0.

## MAXIMUM RATING

Stressing the device above the rating listed in the Absolute Maximum Ratings table may cause permanent damage to the device. These are stress ratings only and operation of the device at these or any other conditions above those indicated in the Operating sections of this specification is not im-

plied. Exposure to Absolute Maximum Rating conditions for extended periods may affect device reliability. Refer also to the STMicroelectronics SURE Program and other relevant quality documents.

**Table 8. Absolute Maximum Ratings**

| Symbol     | Parameter   | Min.                  | Max. | Unit               |
|------------|---|-----------------------|------|--------------------|
| $T_{STG}$  | Storage Temperature   | -65                   | 150  | $^{\circ}\text{C}$ |
| $T_{LEAD}$ | Lead Temperature during Soldering                               | See note <sup>1</sup> |      | $^{\circ}\text{C}$ |
| $V_{IO}$   | Input and Output Voltage (with respect to Ground)               | -0.6                  | 4.0  | V                  |
| $V_{CC}$   | Supply Voltage  | -0.6                  | 4.0  | V                  |
| $V_{ESD}$  | Electrostatic Discharge Voltage (Human Body model) <sup>2</sup> | -2000                 | 2000 | V                  |

Note: 1. Compliant with JEDEC Std J-STD-020C (for small body, Sn-Pb or Pb assembly), the ST ECOPACK<sup>®</sup> 7191395 specification, and the European directive on Restrictions on Hazardous Substances (RoHS) 2002/95/EU.

2. JEDEC Std JESD22-A114A (C1=100 pF, R1=1500  $\Omega$ , R2=500  $\Omega$ )

## DC AND AC PARAMETERS

This section summarizes the operating and measurement conditions, and the DC and AC characteristics of the devices. The parameters in the DC and AC Characteristic tables that follow are derived from tests performed under the Measure-

ment Conditions summarized in the relevant tables. Designers should check that the operating conditions in their circuit match the measurement conditions when relying on the quoted parameters.

**Table 9. Operating Conditions**

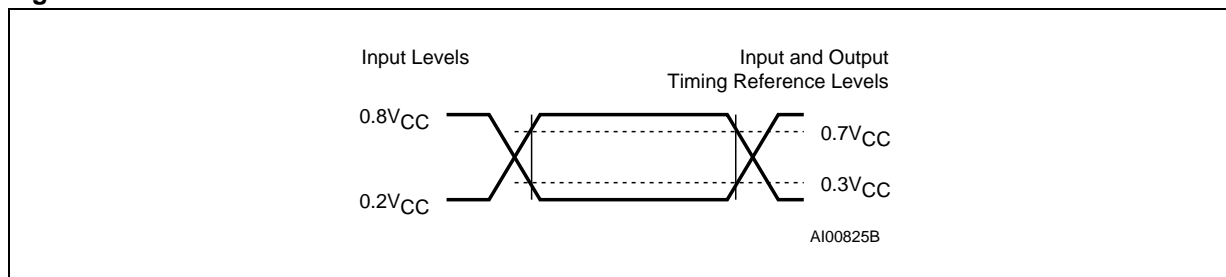
| Symbol   | Parameter                     | Min. | Max. | Unit |
|----------|-------------------------------|------|------|------|
| $V_{CC}$ | Supply Voltage                | 2.7  | 3.6  | V    |
| $T_A$    | Ambient Operating Temperature | -40  | 85   | °C   |

**Table 10. AC Measurement Conditions**

| Symbol | Parameter                                  | Min.                                     | Max. | Unit |
|--------|--|--|------|------|
| $C_L$  | Load Capacitance                           | 30                                       |      | pF   |
|        | Input Rise and Fall Times                  |  | 5    | ns   |
|        | Input Pulse Voltages                       | 0.2V <sub>CC</sub> to 0.8V <sub>CC</sub> |      | V    |
|        | Input and Output Timing Reference Voltages | 0.3V <sub>CC</sub> to 0.7V <sub>CC</sub> |      | V    |

Note: Output Hi-Z is defined as the point where data out is no longer driven.

**Figure 21. AC Measurement I/O Waveform**



**Table 11. Capacitance**

| Symbol    | Parameter                      | Test Condition | Min. | Max. | Unit |
|-----------|--------------------------------|----------------|------|------|------|
| $C_{OUT}$ | Output Capacitance (Q)         | $V_{OUT} = 0V$ |      | 8    | pF   |
| $C_{IN}$  | Input Capacitance (other pins) | $V_{IN} = 0V$  |      | 6    | pF   |

Note: Sampled only, not 100% tested, at  $T_A=25^\circ C$  and a frequency of 20 MHz.

Table 12. DC Characteristics

| Symbol    | Parameter                                    | Test Condition<br>(in addition to those in Table 9.)   | Min.         | Max.         | Unit          |
|-----------|--|--|--------------|--------------|---------------|
| $I_{LI}$  | Input Leakage Current                        |  |              | $\pm 2$      | $\mu\text{A}$ |
| $I_{LO}$  | Output Leakage Current                       |  |              | $\pm 2$      | $\mu\text{A}$ |
| $I_{CC1}$ | Standby Current<br>(Standby and Reset modes) | $\bar{S} = V_{CC}, V_{IN} = V_{SS} \text{ or } V_{CC}$ |              | 50           | $\mu\text{A}$ |
| $I_{CC2}$ | Deep Power-down Current                      | $\bar{S} = V_{CC}, V_{IN} = V_{SS} \text{ or } V_{CC}$ |              | 10           | $\mu\text{A}$ |
| $I_{CC3}$ | Operating Current (FAST_READ)                | $C = 0.1V_{CC} / 0.9.V_{CC}$ at 25 MHz, Q = open       |              | 6            | mA            |
|           |  | $C = 0.1V_{CC} / 0.9.V_{CC}$ at 33 MHz, Q = open       |              | 8            |               |
| $I_{CC4}$ | Operating Current (PW)                       | $\bar{S} = V_{CC}$                                     |              | 15           | mA            |
| $I_{CC5}$ | Operating Current (SE)                       | $\bar{S} = V_{CC}$                                     |              | 15           | mA            |
| $V_{IL}$  | Input Low Voltage                            |  | -0.5         | $0.3V_{CC}$  | V             |
| $V_{IH}$  | Input High Voltage                           |  | $0.7V_{CC}$  | $V_{CC}+0.4$ | V             |
| $V_{OL}$  | Output Low Voltage                           | $I_{OL} = 1.6 \text{ mA}$                              |              | 0.4          | V             |
| $V_{OH}$  | Output High Voltage                          | $I_{OH} = -100 \mu\text{A}$                            | $V_{CC}-0.2$ |              | V             |

## M25PE10, M25PE20

**Table 13. AC Characteristics (25MHz operation)**

| Test conditions specified in Table 9. and Table 10. |                  |  |      |                  |      |      |
|---|------------------|--|------|------------------|------|------|
| Symbol  | Alt.             | Parameter  | Min. | Typ.             | Max. | Unit |
| f <sub>C</sub>                                      | f <sub>C</sub>   | Clock Frequency for the following instructions: FAST_READ, PW, PP, PE, SE, DP, RDP, WREN, WRDI, RDSR | D.C. |                  | 25   | MHz  |
| f <sub>R</sub>                                      |                  | Clock Frequency for READ instructions  | D.C. |                  | 20   | MHz  |
| t <sub>CH</sub> <sup>(1)</sup>                      | t <sub>CLH</sub> | Clock High Time  | 18   |                  |      | ns   |
| t <sub>CL</sub> <sup>(1)</sup>                      | t <sub>CLL</sub> | Clock Low Time   | 18   |                  |      | ns   |
|   |                  | Clock Slew Rate <sup>2</sup> (peak to peak)  | 0.1  |                  |      | V/ns |
| t <sub>SLCH</sub>                                   | t <sub>CSS</sub> | $\bar{S}$ Active Setup Time (relative to C)  | 10   |                  |      | ns   |
| t <sub>CHSL</sub>                                   |                  | $\bar{S}$ Not Active Hold Time (relative to C)   | 10   |                  |      | ns   |
| t <sub>DVCH</sub>                                   | t <sub>DSU</sub> | Data In Setup Time   | 5    |                  |      | ns   |
| t <sub>CHDX</sub>                                   | t <sub>DH</sub>  | Data In Hold Time  | 5    |                  |      | ns   |
| t <sub>CHSH</sub>                                   |                  | $\bar{S}$ Active Hold Time (relative to C)   | 10   |                  |      | ns   |
| t <sub>SHCH</sub>                                   |                  | $\bar{S}$ Not Active Setup Time (relative to C)  | 10   |                  |      | ns   |
| t <sub>SHSL</sub>                                   | t <sub>CSH</sub> | $\bar{S}$ Deselect Time  | 200  |                  |      | ns   |
| t <sub>SHQZ</sub> <sup>(2)</sup>                    | t <sub>DIS</sub> | Output Disable Time  |      |                  | 15   | ns   |
| t <sub>CLQV</sub>                                   | t <sub>V</sub>   | Clock Low to Output Valid  |      |                  | 15   | ns   |
| t <sub>CLQX</sub>                                   | t <sub>HO</sub>  | Output Hold Time   | 0    |                  |      | ns   |
| t <sub>THSL</sub>                                   |                  | Top Sector Lock Setup Time   | 50   |                  |      | ns   |
| t <sub>SHTL</sub>                                   |                  | Top Sector Lock Hold Time  | 100  |                  |      | ns   |
| t <sub>DP</sub> <sup>(2)</sup>                      |                  | $\bar{S}$ to Deep Power-down   |      |                  | 3    | μs   |
| t <sub>RDP</sub> <sup>(2)</sup>                     |                  | $\bar{S}$ High to Standby Power Mode   |      |                  | 30   | μs   |
| t <sub>PW</sub> <sup>(3)</sup>                      |                  | Page Write Cycle Time (256 Bytes)  |      | 11               | 25   | ms   |
|   |                  | Page Write Cycle Time (n Bytes)  |      | 10.2 + n*0.8/256 |      |      |
| t <sub>PP</sub> <sup>(3)</sup>                      |                  | Page Program Cycle Time (256 Bytes)  |      | 1.2              | 5    | ms   |
|   |                  | Page Program Cycle Time (n Bytes)  |      | 0.4 + n*0.8/256  |      |      |
| t <sub>PE</sub>                                     |                  | Page Erase Cycle Time  |      | 10               | 20   | ms   |
| t <sub>SE</sub>                                     |                  | Sector Erase Cycle Time  |      | 1                | 5    | s    |

Note: 1. t<sub>CH</sub> + t<sub>CL</sub> must be greater than or equal to 1/ f<sub>C</sub>

2. Value guaranteed by characterization, not 100% tested in production.

3. When using PP and PW instructions to update consecutive Bytes, optimized timings are obtained with one sequence including all the Bytes versus several sequences of only a few Bytes. (1 ≤ n ≤ 256)

Table 14. AC Characteristics (33MHz operation)

| 33MHz only available for products marked since week 40 of 2005 <sup>(4)</sup><br>Test conditions specified in Table 9. and Table 10. |                  |  |      |                    |      |      |
|--|------------------|--|------|--------------------|------|------|
| Symbol   | Alt.             | Parameter  | Min. | Typ.               | Max. | Unit |
| f <sub>C</sub>   | f <sub>C</sub>   | Clock Frequency for the following instructions: FAST_READ, PW, PP, PE, SE, DP, RDP, WREN, WRDI, RDSR | D.C. |                    | 33   | MHz  |
| f <sub>R</sub>   |                  | Clock Frequency for READ instructions  | D.C. |                    | 20   | MHz  |
| t <sub>CH</sub> <sup>(1)</sup>   | t <sub>CLH</sub> | Clock High Time  | 13   |                    |      | ns   |
| t <sub>CL</sub> <sup>(1)</sup>   | t <sub>CLL</sub> | Clock Low Time   | 13   |                    |      | ns   |
|  |                  | Clock Slew Rate <sup>2</sup> (peak to peak)  | 0.1  |                    |      | V/ns |
| t <sub>SLCH</sub>  | t <sub>CSS</sub> | $\bar{S}$ Active Setup Time (relative to C)  | 10   |                    |      | ns   |
| t <sub>CHSL</sub>  |                  | $\bar{S}$ Not Active Hold Time (relative to C)   | 10   |                    |      | ns   |
| t <sub>DVCH</sub>  | t <sub>DSU</sub> | Data In Setup Time   | 3    |                    |      | ns   |
| t <sub>CHDX</sub>  | t <sub>DH</sub>  | Data In Hold Time  | 5    |                    |      | ns   |
| t <sub>CHSH</sub>  |                  | $\bar{S}$ Active Hold Time (relative to C)   | 5    |                    |      | ns   |
| t <sub>SHCH</sub>  |                  | $\bar{S}$ Not Active Setup Time (relative to C)  | 5    |                    |      | ns   |
| t <sub>SHSL</sub>  | t <sub>CSH</sub> | $\bar{S}$ Deselect Time  | 200  |                    |      | ns   |
| t <sub>SHQZ</sub> <sup>(2)</sup>   | t <sub>DIS</sub> | Output Disable Time  |      |                    | 12   | ns   |
| t <sub>CLQV</sub>  | t <sub>v</sub>   | Clock Low to Output Valid  |      |                    | 12   | ns   |
| t <sub>CLQX</sub>  | t <sub>HO</sub>  | Output Hold Time   | 0    |                    |      | ns   |
| t <sub>THSL</sub>  |                  | Top Sector Lock Setup Time   | 50   |                    |      | ns   |
| t <sub>SHTL</sub>  |                  | Top Sector Lock Hold Time  | 100  |                    |      | ns   |
| t <sub>DP</sub> <sup>(2)</sup>   |                  | $\bar{S}$ to Deep Power-down   |      |                    | 3    | μs   |
| t <sub>RDP</sub> <sup>(2)</sup>  |                  | $\bar{S}$ High to Standby Power mode   |      |                    | 30   | μs   |
| t <sub>PW</sub> <sup>(3)</sup>   |                  | Page Write Cycle Time (256 Bytes)  |      | 11                 | 25   | ms   |
|  |                  | Page Write Cycle Time (n Bytes)  |      | 10.2+<br>n*0.8/256 |      |      |
| t <sub>PP</sub> <sup>(3)</sup>   |                  | Page Program Cycle Time (256 Bytes)  |      | 1.2                | 5    | ms   |
|  |                  | Page Program Cycle Time (n Bytes)  |      | 0.4+<br>n*0.8/256  |      |      |
| t <sub>PE</sub>  |                  | Page Erase Cycle Time  |      | 10                 | 20   | ms   |
| t <sub>SE</sub>  |                  | Sector Erase Cycle Time  |      | 1                  | 5    | s    |

Note: 1. t<sub>CH</sub> + t<sub>CL</sub> must be greater than or equal to 1/ f<sub>C</sub>

2. Value guaranteed by characterization, not 100% tested in production.

3. When using PP and PW instructions to update consecutive Bytes, optimized timings are obtained with one sequence including all the Bytes versus several sequences of only a few Bytes. (1 ≤ n ≤ 256)

4. Details of how to find the date of marking are given in Application Note, AN1995.

Figure 22. Serial Input Timing

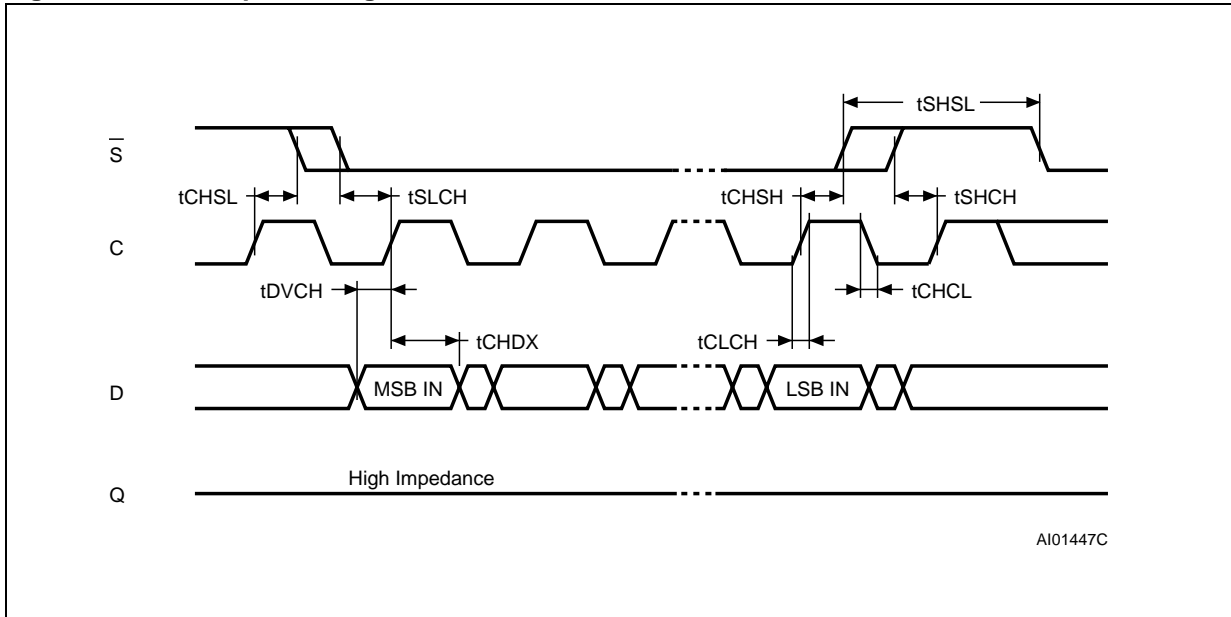


Figure 23. Top Sector Lock Setup and Hold Timing

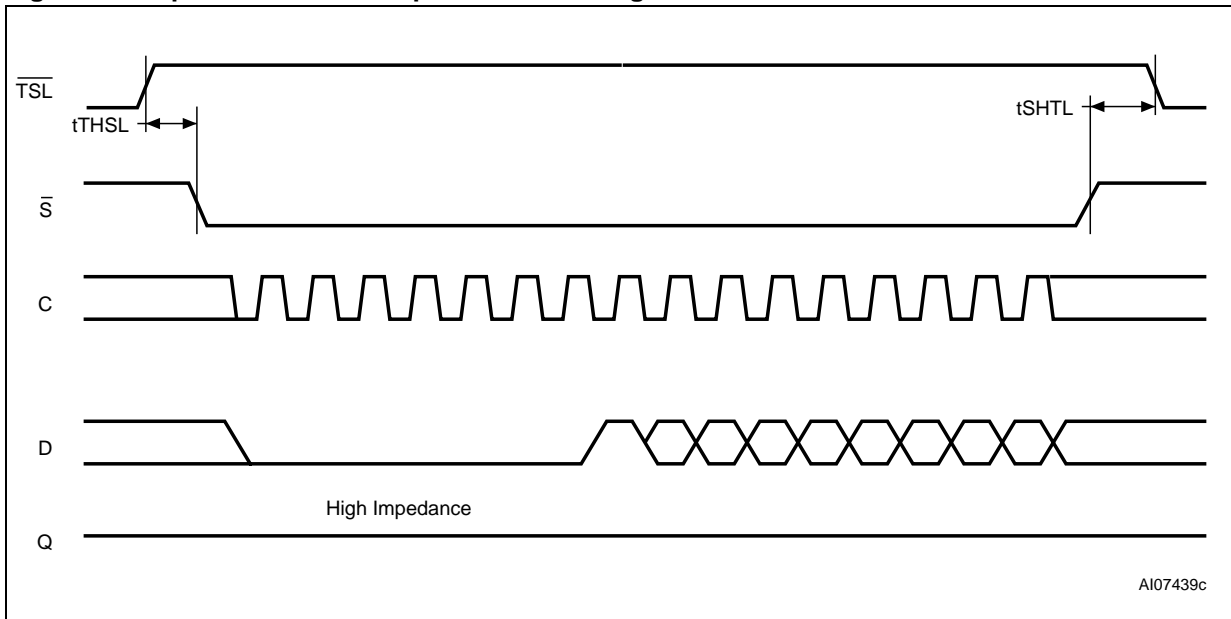
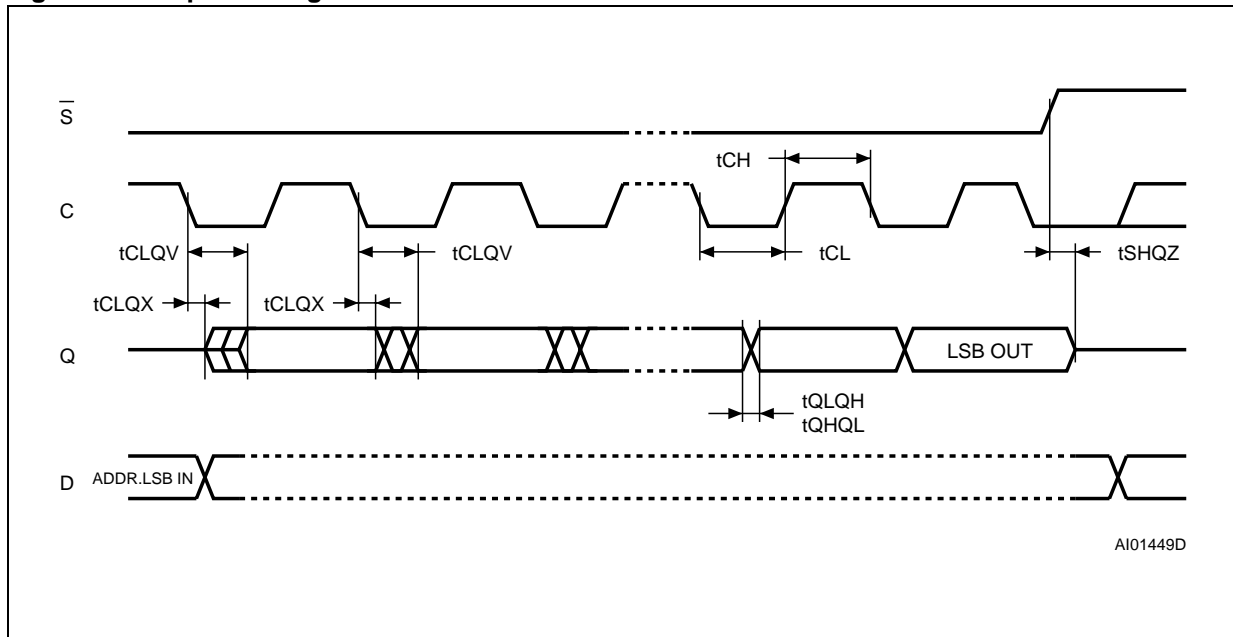


Figure 24. Output Timing



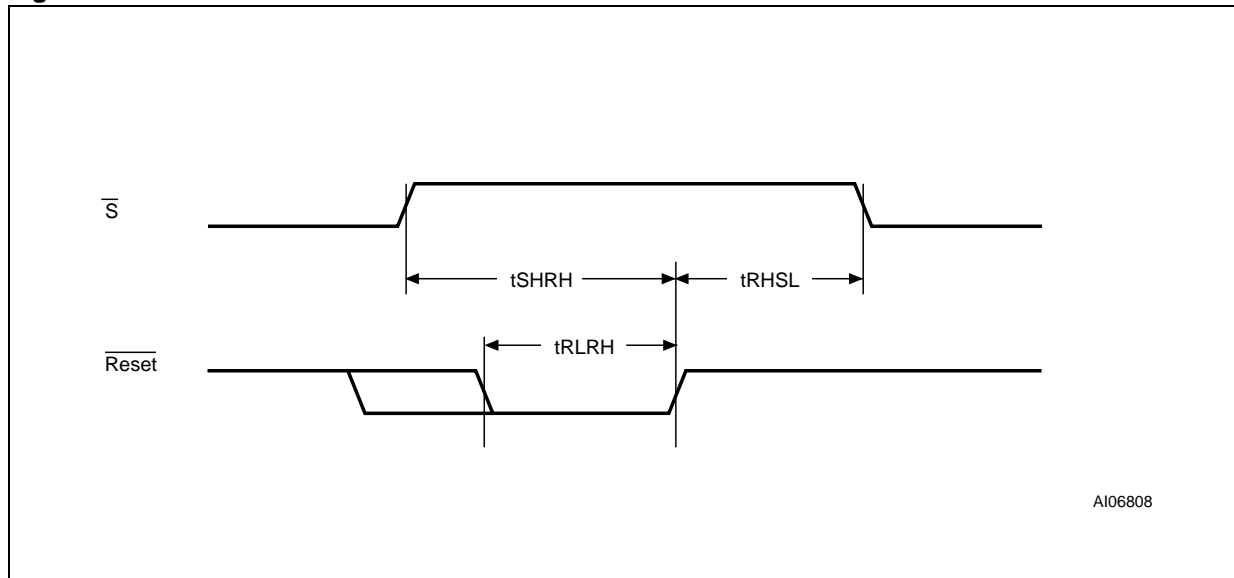
## M25PE10, M25PE20

**Table 15. Reset Timings**

| Test conditions specified in <a href="#">Table 9.</a> and <a href="#">Table 10.</a> |           |                                |  |      |      |      |         |
|---|-----------|--------------------------------|--|------|------|------|---------|
| Symbol  | Alt.      | Parameter                      | Conditions   | Min. | Typ. | Max. | Unit    |
| $t_{RLRH}^{(1)}$  | $t_{RST}$ | Reset Pulse Width              |  | 10   |      |      | $\mu s$ |
| $t_{RHSL}$  | $t_{REC}$ | Reset Recovery Time            | after any operation except for PW, PP, PE and SE             |      |      | 30   | $\mu s$ |
|   |           |                                | After PW, PP and PE operations                               |      |      | 25   | ms      |
|   |           |                                | After SE operations  |      |      | 5    | s       |
| $t_{SHRH}$  |           | Chip Select High to Reset High | Chip should have been deselected before Reset is de-asserted | 10   |      |      | ns      |

Note: 1. Value guaranteed by characterization, not 100% tested in production.

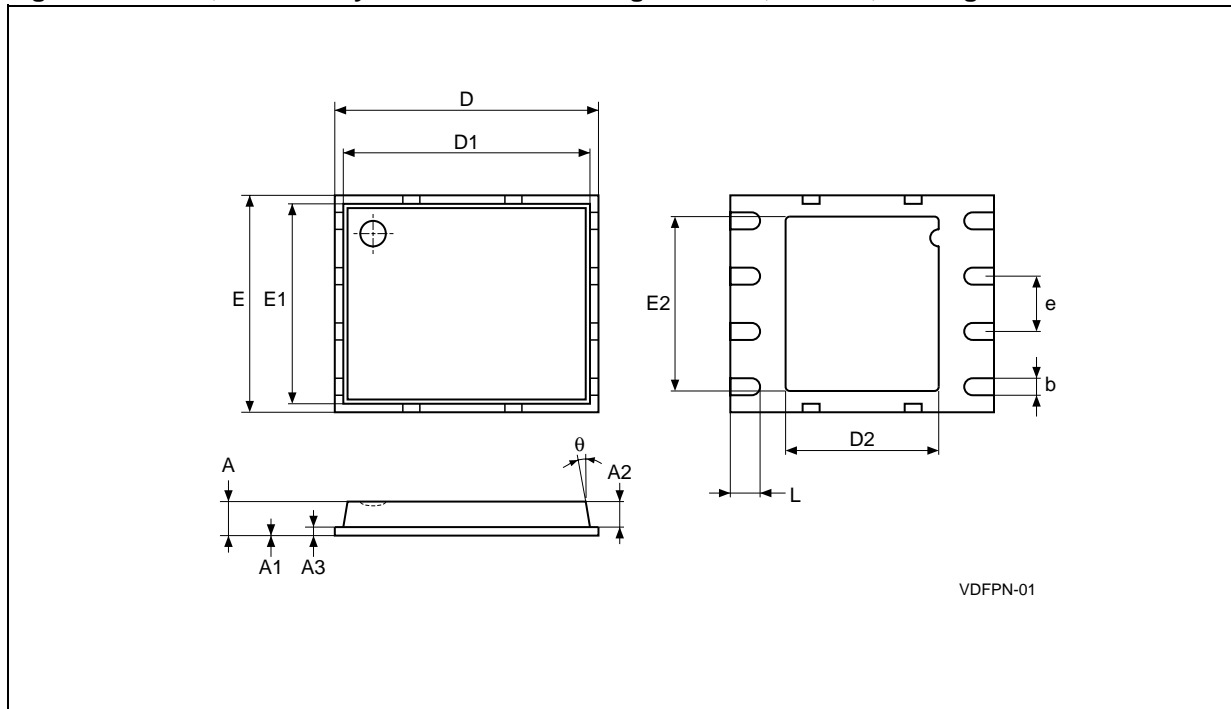
**Figure 25. Reset AC Waveforms**





## PACKAGE MECHANICAL

Figure 26. MLP8, 8-lead Very thin Dual Flat Package No lead, 6x5mm, Package Outline



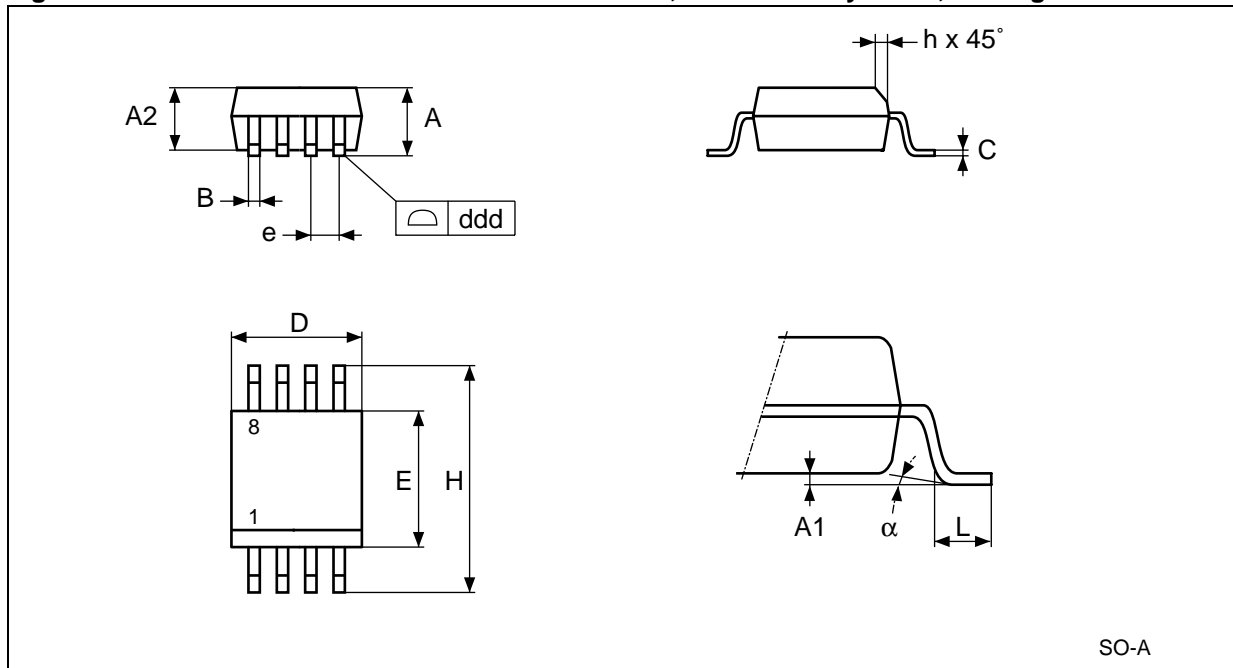
Note: Drawing is not to scale.

Table 16. MLP8, 8-lead Very thin Dual Flat Package No lead, 6x5mm, Package Mechanical Data

| Symbol   | millimeters |      |      | inches |        |        |
|----------|-------------|------|------|--------|--------|--------|
|          | Typ         | Min  | Max  | Typ    | Min    | Max    |
| A        | 0.85        |      | 1.00 | 0.0335 |        | 0.0394 |
| A1       |             | 0.00 | 0.05 |        | 0.0000 | 0.0020 |
| A2       | 0.65        |      |      | 0.0256 |        |        |
| A3       | 0.20        |      |      | 0.0079 |        |        |
| b        | 0.40        | 0.35 | 0.48 | 0.0157 | 0.0138 | 0.0189 |
| D        | 6.00        |      |      | 0.2362 |        |        |
| D1       | 5.75        |      |      | 0.2264 |        |        |
| D2       | 3.40        | 3.20 | 3.60 | 0.1339 | 0.1260 | 0.1417 |
| E        | 5.00        |      |      | 0.1969 |        |        |
| E1       | 4.75        |      |      | 0.1870 |        |        |
| E2       | 4.00        | 3.80 | 4.20 | 0.1575 | 0.1496 | 0.1654 |
| e        | 1.27        |      |      | 0.0500 |        |        |
| L        | 0.60        | 0.50 | 0.75 | 0.0236 | 0.0197 | 0.0295 |
| $\theta$ |             |      | 12°  |        |        | 12°    |

## M25PE10, M25PE20

Figure 27. SO8 Narrow – 8 lead Plastic Small Outline, 150 mils body width, Package Outline



Note: Drawing is not to scale.

Table 17. SO8 Narrow – 8 lead Plastic Small Outline, 150 mils body width, Mechanical Data

| Symbol | millimeters |      |      | inches |       |       |
|--------|-------------|------|------|--------|-------|-------|
|        | Typ         | Min  | Max  | Typ    | Min   | Max   |
| A      |             | 1.35 | 1.75 |        | 0.053 | 0.069 |
| A1     |             | 0.10 | 0.25 |        | 0.004 | 0.010 |
| A2     |             | 1.10 | 1.65 |        | 0.043 | 0.065 |
| B      |             | 0.33 | 0.51 |        | 0.013 | 0.020 |
| C      |             | 0.19 | 0.25 |        | 0.007 | 0.010 |
| D      |             | 4.80 | 5.00 |        | 0.189 | 0.197 |
| ddd    |             |      | 0.10 |        |       | 0.004 |
| E      |             | 3.80 | 4.00 |        | 0.150 | 0.157 |
| e      | 1.27        | –    | –    | 0.050  | –     | –     |
| H      |             | 5.80 | 6.20 |        | 0.228 | 0.244 |
| h      |             | 0.25 | 0.50 |        | 0.010 | 0.020 |
| L      |             | 0.40 | 0.90 |        | 0.016 | 0.035 |
| a      |             | 0    | 8    |        | 0     | 8     |
| N      | 8           |      |      | 8      |       |       |

## PART NUMBERING

**Table 18. Ordering Information Scheme**

|  |         |   |   |    |   |   |   |
|--|---------|---|---|----|---|---|---|
| Example:   | M25PE20 | - | V | MP | 6 | T | G |
| <b>Device Type</b><br>M25PE = Page-Erasable Serial Flash Memory                                |         |   |   |    |   |   |   |
| <b>Device Function</b><br>10 = 1 Mbit (128K x 8)<br>20 = 2 Mbit (256K x 8)                     |         |   |   |    |   |   |   |
| <b>Operating Voltage</b><br>V = V <sub>CC</sub> = 2.7 to 3.6V                                  |         |   |   |    |   |   |   |
| <b>Package</b><br>MN = SO8N (150 mil width)<br>MP = VDFPN8 6x5mm (MLP8)                        |         |   |   |    |   |   |   |
| <b>Device Grade</b><br>6 = Industrial: device tested with standard test flow over -40 to 85 °C |         |   |   |    |   |   |   |
| <b>Option</b><br>blank = Standard Packing<br>T = Tape and Reel Packing                         |         |   |   |    |   |   |   |
| <b>Plating Technology</b><br>P or G = ECOPACK® (RoHS compliant)                                |         |   |   |    |   |   |   |

For a list of available options (speed, package, etc.) or for further information on any aspect of this device, please contact your nearest ST Sales Office.

The category of second Level Interconnect is marked on the package and on the inner box label, in compliance with JEDEC Standard JESD97. The maximum ratings related to soldering conditions are also marked on the inner box label.

**REVISION HISTORY****Table 19. Document Revision History**

| <b>Date</b> | <b>Version</b> | <b>Description of Revision</b>  |
|-------------|----------------|---|
| 07-Dec-2004 | 0.1            | Document written  |
| 21-Dec-2004 | 0.2            | Notes 1 and 2 removed from <a href="#">Table 18., Ordering Information Scheme</a> . S08N silhouette corrected in <a href="#">Figure 1., Packages</a> .  |
| 6-Oct-2005  | 1.0            | Added <a href="#">Table 14., AC Characteristics (33MHz operation)</a> . Document status promoted to full Datasheet. <a href="#">An Easy Way to Modify Data</a> , <a href="#">A Fast Way to Modify Data</a> , <a href="#">Page Write (PW)</a> and <a href="#">Page Program (PP)</a> sections updated to explain optimal use of Page Write and Page Program instructions. Clock slew rate changed from 0.03 to 0.1 V/ns. Updated <a href="#">Table 18., Ordering Information Scheme</a> . Added Ecopack® information. |

Information furnished is believed to be accurate and reliable. However, STMicroelectronics assumes no responsibility for the consequences of use of such information nor for any infringement of patents or other rights of third parties which may result from its use. No license is granted by implication or otherwise under any patent or patent rights of STMicroelectronics. Specifications mentioned in this publication are subject to change without notice. This publication supersedes and replaces all information previously supplied. STMicroelectronics products are not authorized for use as critical components in life support devices or systems without express written approval of STMicroelectronics.

The ST logo is a registered trademark of STMicroelectronics.  
All other names are the property of their respective owners

© 2005 STMicroelectronics - All rights reserved

STMicroelectronics group of companies  
Australia - Belgium - Brazil - Canada - China - Czech Republic - Finland - France - Germany - Hong Kong - India - Israel - Italy - Japan -  
Malaysia - Malta - Morocco - Singapore - Spain - Sweden - Switzerland - United Kingdom - United States of America  
[www.st.com](http://www.st.com)