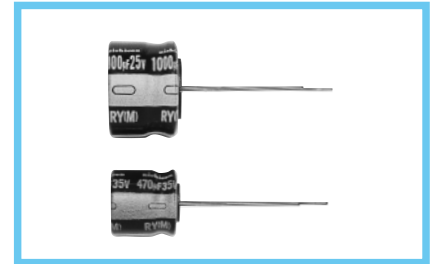
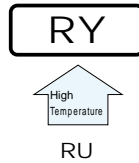
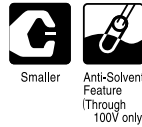


ALUMINUM ELECTROLYTIC CAPACITORS



RY 12.5mmL Wide Temperature Range
series

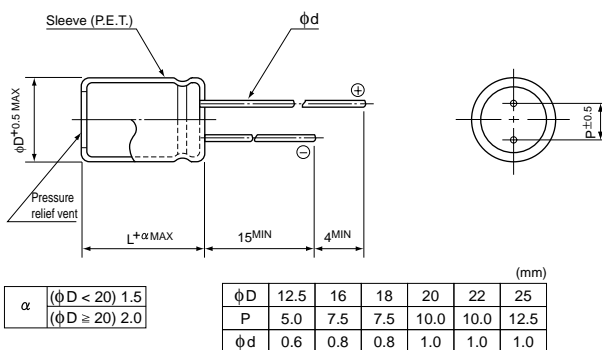


- 12.5mmL height.
- Adapted to the RoHS directive (2002/95/EC).

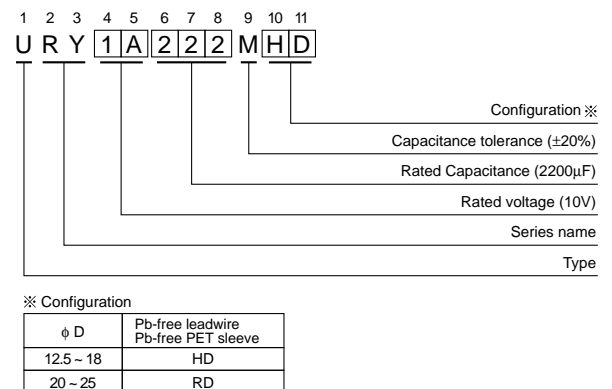
Specifications

Item	Performance Characteristics	
Category Temperature Range	-55 ~ +105°C (6.3 ~ 100V), -40 ~ +105°C (160 ~ 400V), -25 ~ +105°C (450V)	
Rated Voltage Range	6.3 ~ 450V	
Rated Capacitance Range	6.8 ~ 4700μF	
Capacitance Tolerance	±20% at 120Hz, 20°C	
Leakage Current	Rated voltage (V)	6.3 ~ 100
		160 ~ 450
	After 1 minute's application of rated voltage, leakage current is not more than 0.03CV or 4 (μA), whichever is greater. After 2 minutes' application of rated voltage, leakage current is not more than 0.01CV or 3 (μA), whichever is greater.	
	After 1 minute's application of rated voltage, I = 0.04CV+100 (μA) or less	
tan δ	For capacitance of more than 1000μF, add 0.02 for every increase of 1000μF. Measurement frequency : 120Hz, Temperature : 20°C	
	Rated voltage (V)	6.3 10 16 25 35 50 63 100 160 ~ 350 400 ~ 450
	tan δ (MAX.) 0.28 0.24 0.20 0.16 0.14 0.12 0.10 0.08 0.20 0.25	
Stability at Low Temperature	Measurement frequency : 120Hz	
	Rated voltage (V)	6.3 10 16 25 35~50 63~100 160~200 250~350 400 450
	Impedance ratio Z-25°C / Z+20°C	5 4 3 2 2 2 3 4 6 15
	ZT / Z20 (MAX.)	Z-40°C / Z+20°C 10 8 6 4 3 3 4 8 10 —
Endurance	After 2000 hours' application of rated voltage at 105°C, capacitors meet the characteristic requirements listed at right.	Capacitance change
		tan δ
		Leakage current
		Initial specified value or less
Shelf Life	After storing the capacitors under no load at 105°C for 1000 hours, and after performing voltage treatment based on JIS C 5101-4 clause 4.1 at 20°C, they will meet the specified value for endurance characteristics listed above.	
Marking	Printed with white color letter on black sleeve.	

Radial Lead Type



Type numbering system (Example : 10V 2200μF)



• Please refer to page 21 about the end seal configuration.

Please refer to page 21, 22, 23 about the formed or taped product spec.
Please refer to page 3 for the minimum order quantity.

• Dimension table in next page.

ALUMINUM ELECTROLYTIC CAPACITORS

RY series

■ Dimensions

V		6.3		10		16		25		35		50	
Cap. (μF)	Code	0J		1A		1C		1E		1V		1H	
330	331											12.5×12.5	450
470	471									12.5×12.5	420	20×12.5	540
680	681							12.5×12.5	500	18×12.5	610	25×12.5	700
1000	102					12.5×12.5	520	18×12.5	770	22×12.5	810		
2200	222	12.5×12.5	580	18×12.5	820	25×12.5	1000	25×12.5	1170				
3300	332	18×12.5	730	22×12.5	1030								
4700	472	25×12.5	1200									Case size φ D×L (mm)	Rated ripple

V		63		100		160		200		250		315	
Cap. (μF)	Code	1J		2A		2C		2D		2E		2F	
10	100											12.5×12.5	70
22	220							12.5×12.5	110	16×12.5	130	16×12.5	85
33	330					12.5×12.5	130	16×12.5	170	18×12.5	170	20×12.5	120
47	470					16×12.5	210	18×12.5	230	22×12.5	190	25×12.5	160
68	680					20×12.5	280	25×12.5	310				
100	101			12.5×12.5	230	25×12.5	360						
220	221	12.5×12.5	400	22×12.5	400								
330	331	18×12.5	550										
470	471	22×12.5	610										

V		350		400		450	
Cap. (μF)	Code	2V		2G		2W	
6.8	6R8					12.5×12.5	38
10	100	16×12.5	75	16×12.5	65	16×12.5	47
22	220	18×12.5	90	20×12.5	150	25×12.5	85
33	330	25×12.5	140	25×12.5	200		

Rated Ripple (mA_{rms}) at 105°C 120Hz

● Frequency coefficient of rated ripple current

V	Cap. (μF)	Frequency	50Hz	120Hz	300Hz	1 kHz	10 kHz ~
6.3 ~ 100	100 ~ 680	50Hz	0.80	1.00	1.23	1.34	1.50
		1000 ~ 4700	0.85	1.00	1.10	1.13	1.15
160 ~ 450	6.8 ~ 100	50Hz	0.80	1.00	1.25	1.40	1.60