

HGN-339 IEC 60320 INLET SOCKET WITH SWITCH, VOLTAGE SELECT AND A FUSE HOLDER, SNAP-IN MOUNT



FEATURES

The HGN-339 incorporates features such as 2-pole on/off switch, IEC Connector, a fuse holder that accepts European 5 x 20mm or N. American 1/4" x 1 1/4" (3AG) fuse, and a voltage selector (110V/220V). It is designed for use in equipment intended for export enabling the fast change to other voltages.

These filters are also available for Medical equipment with low leakage current to comply with UL 544 & UL2601.

APPLICATIONS

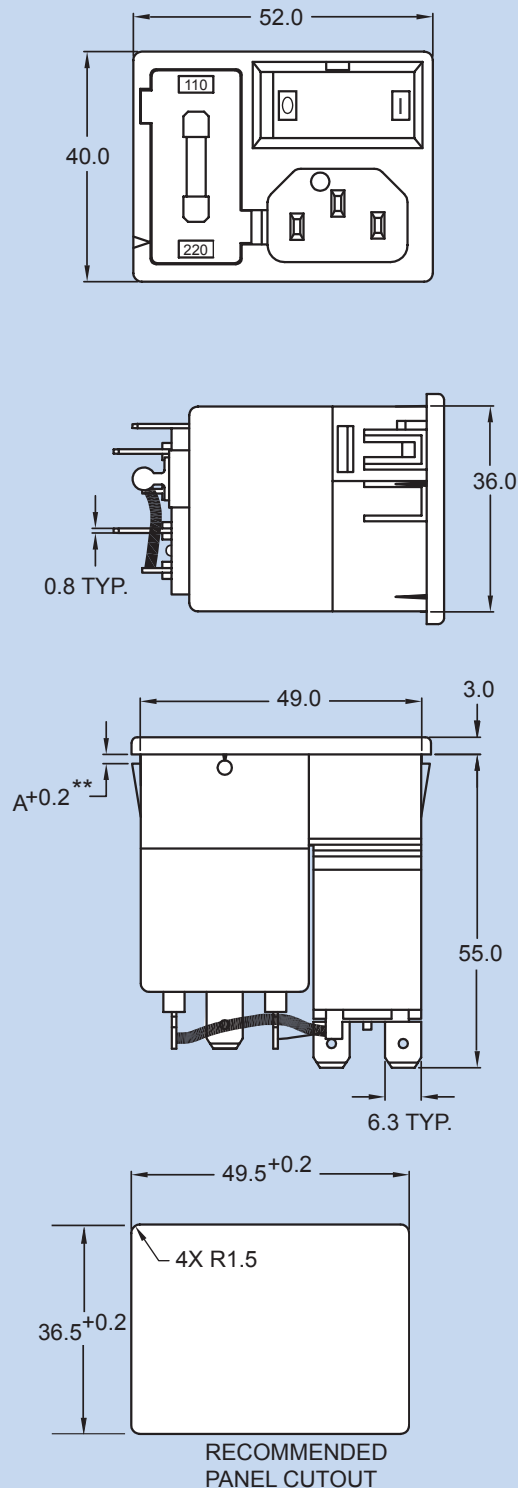
Computer & networking equipment, Measuring & control equipment, Data processing equipment, laboratory instruments, Switching power supplies, other electronic equipment.

TECHNICAL DATA

- Rated Voltage: 125/250VAC
- Rated Current: 1A, 2A, 3A, 4A, 6A
- Power Line Frequency: 50/60Hz
- Max. Leakage Current each
Line to Ground:
@ 250VAC 50Hz: 0.5mA, max
@ 250VAC 50Hz: 2 μ A*, max
- Hipot Rating (one minute)
Line to Ground: 2250VDC
Line to Line: 1450VDC
- Temperature Range: -25C to +85C

* Medical application

MECHANICAL DIMENSIONS (Unit: mm)



Specifications subject to change without notice. Dimensions (mm). See Appendix A for recommended power cord. See PDI full line catalog for detailed specifications on power cords.

HGN-339 Series Example & Ordering Code

HGN-339 - 1 M - F - 150

CURRENT RATING (A):	= 1 = 2 = 3 = 4 = 6
SCHEMATIC:	STANDARD TYPE = BLANK WITHOUT C(Y); C(X) ONLY = M
TERMINAL:	QUICK CONNECT (6.3 x 0.8) = F
PANEL THICKNESS*:	 0.06 (1.5MM) = 150 0.062 (1.6MM) = 160 0.08 (2.0MM) = 200

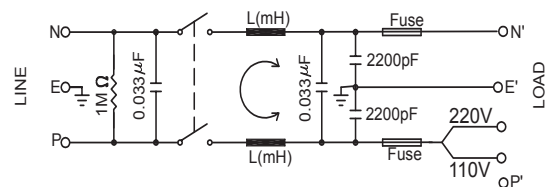
* More panel thickness options are available upon request

Attenuation Tables & Schematics

Non-Medical Applications

Insertion loss in dB (50 Ohm circuit)

Current Rating	L Value	Comm. Mode(L-G) MHz								Diff. mode(L-L) MHz							
		.01	.05	.15	.5	1	5	10	30	.01	.05	.15	.5	1	5	10	30
1A	10.3mA	19	34	42	53	57	50	55	55	15	5	5	33	47	71	70	55
2A	4.6mA	6	18	26	37	44	54	51	60	23	8	10	20	33	68	70	60
3A	2.5mA	12	18	25	37	45	53	65	60	16	5	10	24	35	64	65	60
4A	1.2mA	6	16	23	34	40	54	56	65	11	4	4	20	33	63	66	64
6A	0.8mA	6	15	21	30	35	50	55	60	16	6	6	15	28	60	65	60



Medical Applications

Insertion loss in dB (50 Ohm circuit)

Current Rating	L Value	Comm. Mode(L-G) MHz								Diff. mode(L-L) MHz							
		.01	.05	.15	.5	1	5	10	30	.01	.05	.15	.5	1	5	10	30
1A	10.3mA	22	32	41	51	48	37	31	22	9	11	15	50	67	82	71	37
2A	4.6mA	18	30	38	40	42	36	30	21	9	11	11	42	67	82	75	38
3A	2.5mA	18	28	33	38	38	30	23	18	9	15	14	38	55	82	76	35
4A	1.2mA	10	18	23	30	32	32	30	22	9	13	19	19	44	82	79	40
6A	0.8mA	8	13	19	27	29	29	29	25	9	18	21	19	47	84	82	50

