

PLEASE CHECK WWW.MOLEX.COM FOR LATEST PART INFORMATION

Part Number: [0643221239](#)
Status: **Active**
Overview: [cmc connectors](#)
Description: 0.635mm (.025") CMC CP Female Terminal, Tin Plated, Selective 1.27µm Gold in Contact Area, for Square 0.6mm x 0.6mm Pins, Wire Size 0.5mm²

Documents:

[3D Model](#) [RoHS Certificate of Compliance \(PDF\)](#)
[Drawing \(PDF\)](#)

General

Product Family	Crimp Terminals
Series	64322
Comments	* Current tested on a 5 terminals loaded connector, current for temperature increase of 40°C. Current max = 6.0A for 0.635mm Terminal(0.75mm ² wire)
Crimp Quality Equipment	Yes
Overview	cmc connectors
Product Name	CMC, CP Terminal

Physical

Durability (mating cycles max)	20
Gender	Female
Material - Metal	Phosphor Bronze
Material - Plating Mating	Gold
Material - Plating Termination	Tin
Packaging Type	Reel
Plating min: Mating (µm)	1, 3
Termination Interface: Style	Crimp or Compression
Wire Insulation Diameter	1.40mm-1.70mm
Wire Size AWG	N/A
Wire Size mm ²	0.5

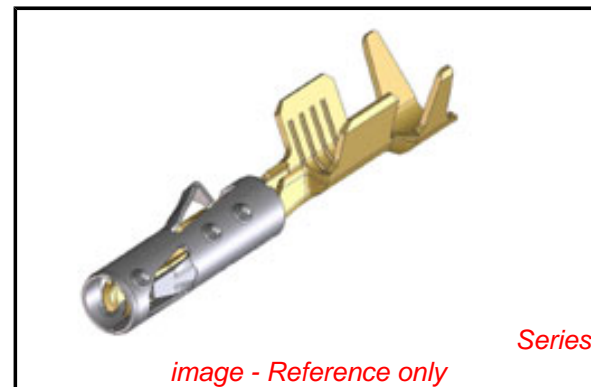
Electrical

Current - Maximum per Contact	6A
Voltage - Maximum	250V AC

Material Info

Reference - Drawing Numbers

Packaging Specification	PK-98913-001
Sales Drawing	SD-64322-001



EU RoHS

ELV and RoHS Compliant
REACH SVHC
 Not Reviewed
Halogen-Free Status

China RoHS



Need more information on product environmental compliance?

Email productcompliance@molex.com
 For a multiple part number RoHS Certificate of Compliance, [click here](#)

Please visit the [Contact Us](#) section for any non-product compliance questions.

Search Parts in this Series

[64322Series](#)

Mates With

CMC Connector [64318](#) , [64319](#) , [64320](#) , [64321](#)

Use With

CMC Connector [64318](#) , [64319](#) , [64320](#) , [64321](#)

Application Tooling | FAQ

Tooling specifications and manuals are found by selecting the products below. Crimp Height Specifications are then contained in the Application Tooling Specification document.

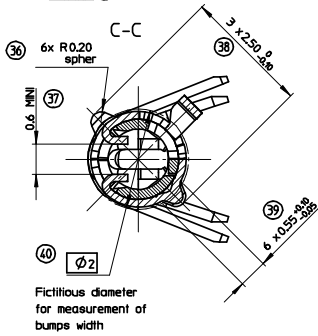
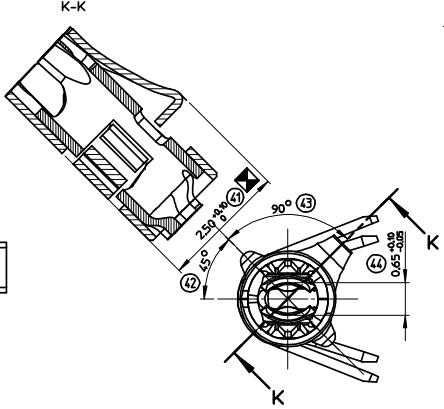
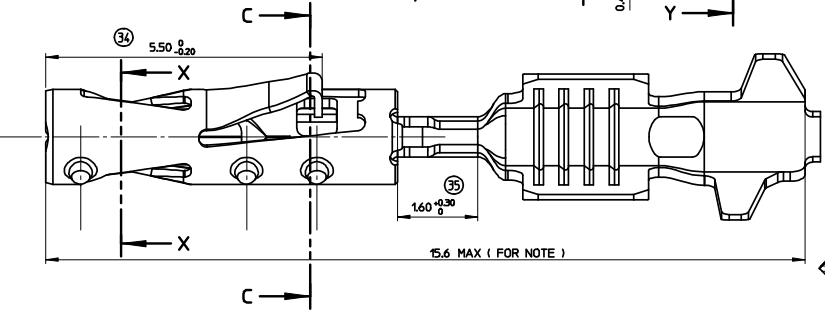
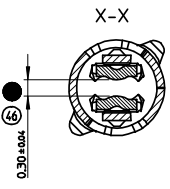
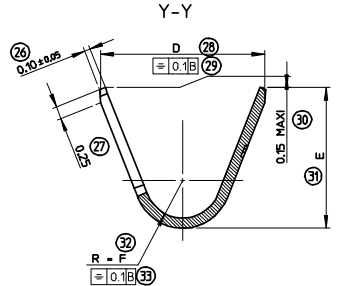
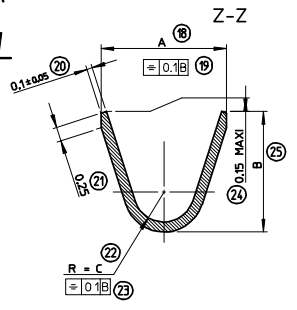
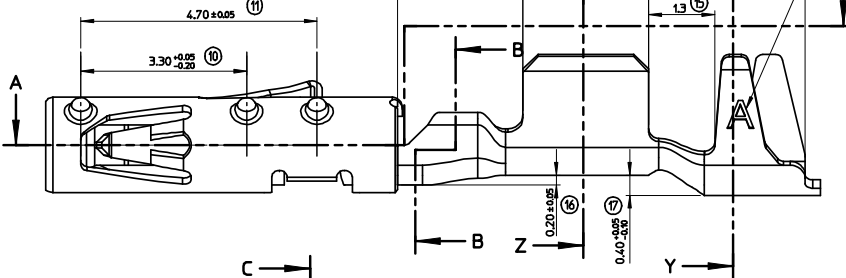
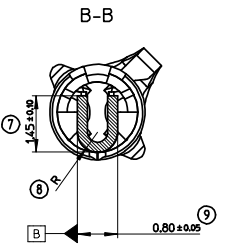
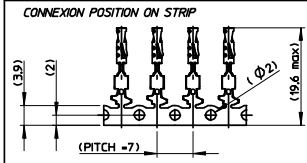
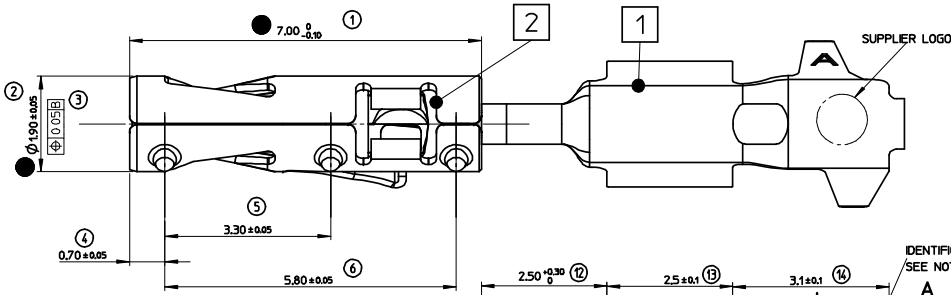
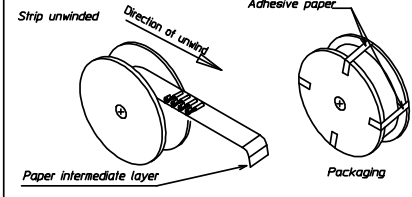
Global

Description	Product #
FineAdjust™ Applicator	0638689000
Extraction Tool	0638132400
HAND CRIMP TOOL	0638119200

This document was generated on 06/07/2010

PLEASE CHECK WWW.MOLEX.COM FOR LATEST PART INFORMATION

PACKAGING SPECIFICATION : PK-98913-001



NOTE :
 - MARKING "A" is used to identify "STANDARD" terminal
 - CRIMPING SPECIFICATION ACCORDING TO CS-64322-001

2	BOX TERMINAL	STAINLESS STEEL thickness=0.15 mm
1	BODY TERMINAL	high conductivity copper alloy thickness=0.2 mm
MARK	DESIGNATION	MATERIAL

0643221029	Sn	Sn		0.75	2.5	2.4	0.6	3.3	2.8	0.75	0.119
0643221219	Au 1.27μ MINI	Sn	Ni								
0643221039	Sn	Sn		0.50	2.3	2.2	0.6	3.1	2.6	0.75	0.117
0643221239	Au 1.27μ MINI	Sn	Ni								
0643221019	Sn	Sn		0.22 TO 0.44	2.0	1.7	0.6	3.1	2.6	0.75	0.112
0643221229	Au 1.27μ MINI	Sn	Ni								
PART NUMBER	CONTACT AREA	CRIMPING AREA	UNDERLAYER	CRIMPING RANGE (mm2)	A±0.2	B±0.2	rC ±0.15 -0.1	D±0.2	E±0.2	rF±0.1	WEIGHT (g)

DELIMITED GOLD PLATED AREA

(SKC) COTES CARACTERISTIQUES SPECIALES
 SPECIAL KEY CHARACTERISTICS
 [Symbol] INDICATION DIMENSIONS S.P.C
 DENOTES S.P.C DIMENSIONS
 [Symbol] INDICATION DIMENSIONS CRITIQUES
 DENOTES CRITICAL DIMENSIONS
 [Symbol] INDICATION DIMENSIONS FONCTIONNELLES
 DENOTES FUNCTIONAL DIMENSIONS
 QUANTITE PAR FEUILLE INDIVIDUELLE
 QUANTITY PER INDIVIDUAL SHEET
 [Symbol] 1 [Symbol] 0 [Symbol] 4 (SKC) 0

Revised Dwg E.C. NO: GZ008-0440 DRAWN BY: JIUOU CHKD BY: FPARLARI APPRVL BY: LSTICKEIR 2008/05/19 2008/05/19 2008/05/19	GENERAL TOLERANCES (UNLESS SPECIFIED) mm INCH 4 PLACES ± --- ± --- 3 PLACES ± --- ± --- 2 PLACES ± 0.10 ± --- 1 PLACE ± 0.1 ± --- ANGULAR ± 2°		DIMENSION STYLE MM ONLY	SCALE 20:1	DESIGN UNITS METRIC	FIRST ANGLE PROJECTION
	DRAWN BY: FPARLARI DATE: 2007/09/17 CHECKED BY: IDUCLOS DATE: 2007/09/17 APPROVED BY: LSTICKEIR DATE: 2007/09/17		MATERIAL NO.	MOLEX INCORPORATED	SHEET NO. 1 OF 1	
	DRAFT WHERE APPLICABLE MUST REMAIN WITHIN DIMENSIONS		SEE CHART	SD-64322-001		
	THIS DRAWING CONTAINS INFORMATION THAT IS PROPRIETARY TO MOLEX INCORPORATED AND SHOULD NOT BE USED WITHOUT WRITTEN PERMISSION					