

VXR SERIES
105°C 7000 hours, Snap-in Terminal Type.
◆FEATURES

- Load Life : 105°C 7000hours.
- RoHS compliance.


◆SPECIFICATIONS

| Items | Characteristics | | |
|------------------------------------|--|--|-------------------------|
| Category Temperature Range | -25~+105°C | | |
| Rated Voltage Range | 160~450WV | | |
| Capacitance Tolerance | ±20% (20°C, 120Hz) | | |
| Leakage Current(MAX) | $I=3\sqrt{CV}$ (After 5 minutes application of rated voltage) I =Leakage Current(μA) V =Rated Voltage(V) C =Rated Capacitance(μF) | | |
| Dissipation Factor(MAX) (tan δ) | Rated Voltage | 160~250WV | 315~450WV (20°C, 120Hz) |
| | tan δ | 0.15 | 0.20 |
| Impedance Ratio(MAX) | Rated Voltage (V) | 160~250WV | 315~450WV (120Hz) |
| | Z(-25°C)/Z(20°C) | 3 | 8 |
| Endurance | After applying rated voltage with rated ripple current for 7000hrs at 105°C, the capacitors shall meet the following requirements. | | |
| | Capacitance Change | Within ±20% of the initial value. | |
| | Dissipation Factor | Not more than 200% of the specified value. | |
| | Leakage Current | Not more than the specified value. | |

◆MULTIPLIER FOR RIPPLE CURRENT

Frequency coefficient

| (Hz) Frequency | 60(50) | 120 | 500 | 1k | 10k≤ |
|--------------------------|--------|------|------|------|------|
| Coefficient 160~250WV | 0.80 | 1.00 | 1.20 | 1.30 | 1.50 |
| 315~450WV | 0.80 | 1.00 | 1.20 | 1.25 | 1.40 |

◆PART NUMBER

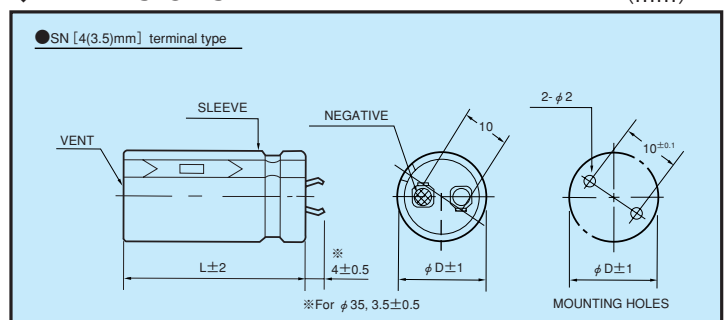
| | | | | | | |
|---------------|--------|-------------------|-----------------------|--------|---------------|-----------|
| □□□ | VXR | □□□□□ | □ | OOE | SN | D×L |
| Rated Voltage | Series | Rated Capacitance | Capacitance Tolerance | Option | Terminal Code | Case Size |

◆Option

| | Code |
|---------------|-------|
| without plate | OOE |
| with plate | Blank |

◆DIMENSIONS

(mm)



◆STANDARD SIZE, RATED RIPPLE CURRENT

| Cap(μF) | WV φD | 160 | | | | 180 | | | |
|---------|----------|-------------|-------------|-------------|-------------|-------------|-------------|-------------|-------------|
| | | φ 22 | φ 25 | φ 30 | φ 35 | φ 22 | φ 25 | φ 30 | φ 35 |
| 220 | | | | | | 22×25: 1.00 | | | |
| 270 | | 22×25: 1.10 | | | | 22×25: 1.10 | | | |
| 330 | | 22×25: 1.20 | | | | 22×30: 1.20 | 25×25: 1.20 | | |
| 390 | | 22×30: 1.30 | 25×25: 1.30 | | | 22×30: 1.30 | 25×25: 1.30 | | |
| 470 | | 22×35: 1.40 | 25×30: 1.40 | | | 22×35: 1.40 | 25×30: 1.40 | 30×25: 1.40 | |
| 560 | | 22×40: 1.50 | 25×30: 1.50 | 30×25: 1.50 | | 22×40: 1.50 | 25×35: 1.50 | 30×25: 1.50 | |
| 680 | | 22×45: 1.70 | 25×35: 1.70 | 30×30: 1.70 | | 22×45: 1.70 | 25×35: 1.70 | 30×30: 1.70 | |
| 820 | | 22×50: 2.00 | 25×40: 2.00 | 30×30: 2.00 | | | 25×40: 2.00 | 30×35: 2.00 | 35×30: 2.00 |
| 1000 | | | 25×45: 2.20 | 30×35: 2.20 | 35×30: 2.20 | | 25×50: 2.20 | 30×35: 2.20 | 35×30: 2.20 |
| 1200 | | | 25×50: 2.30 | 30×40: 2.30 | 35×35: 2.30 | | | 30×40: 2.30 | 35×35: 2.30 |
| 1500 | | | | 30×45: 2.50 | 35×35: 2.50 | | | 30×50: 2.50 | 35×40: 2.50 |
| 1800 | | | | 30×50: 2.70 | 35×40: 2.70 | | | | 35×45: 2.70 |
| 2200 | | | | | 35×45: 2.90 | | | | 35×50: 2.90 |

| Cap(μF) | WV φD | 200 | | | | 250 | | | |
|---------|----------|-------------|-------------|-------------|-------------|-------------|-------------|-------------|-------------|
| | | φ 22 | φ 25 | φ 30 | φ 35 | φ 22 | φ 25 | φ 30 | φ 35 |
| 180 | | | | | | 22×25: 0.90 | 25×25: 0.90 | | |
| 220 | | 22×25: 1.00 | | | | 22×30: 1.00 | 25×25: 1.00 | | |
| 270 | | 22×30: 1.10 | 25×25: 1.10 | | | 22×35: 1.10 | 25×30: 1.10 | 30×25: 1.10 | |
| 330 | | 22×30: 1.20 | 25×25: 1.20 | | | 22×40: 1.20 | 25×30: 1.20 | 30×25: 1.20 | |
| 390 | | 22×35: 1.30 | 25×30: 1.30 | 30×25: 1.30 | | 22×45: 1.30 | 25×35: 1.30 | 30×30: 1.30 | |
| 470 | | 22×40: 1.40 | 25×35: 1.40 | 30×25: 1.40 | | 22×50: 1.40 | 25×40: 1.40 | 30×30: 1.40 | 35×30: 1.40 |
| 560 | | 22×45: 1.50 | 25×35: 1.50 | 30×30: 1.50 | | | 25×45: 1.50 | 30×35: 1.50 | 35×30: 1.50 |
| 680 | | 22×50: 1.70 | 25×40: 1.70 | 30×30: 1.70 | | | 25×50: 1.70 | 30×40: 1.70 | 35×35: 1.70 |
| 820 | | | 25×45: 2.00 | 30×35: 2.00 | 35×30: 2.00 | | | 30×45: 2.00 | 35×35: 2.00 |
| 1000 | | | | 30×40: 2.20 | 35×35: 2.20 | | | 30×50: 2.20 | 35×40: 2.20 |
| 1200 | | | | 30×45: 2.30 | 35×40: 2.30 | | | | 35×45: 2.30 |
| 1500 | | | | | 35×50: 2.50 | | | | |

| Cap(μF) | WV φD | 315 | | | | 350 | | | |
|---------|----------|-------------|-------------|-------------|-------------|-------------|-------------|-------------|-------------|
| | | φ 22 | φ 25 | φ 30 | φ 35 | φ 22 | φ 25 | φ 30 | φ 35 |
| 82 | | 22×25: 0.64 | | | | 22×25: 0.64 | | | |
| 100 | | 22×30: 0.69 | | | | 22×30: 0.69 | 25×25: 0.69 | | |
| 120 | | 22×30: 0.75 | 25×25: 0.75 | | | 22×35: 0.75 | 25×30: 0.75 | | |
| 150 | | 22×35: 0.82 | 25×30: 0.82 | 30×25: 0.82 | | 22×40: 0.82 | 25×30: 0.82 | 30×25: 0.82 | |
| 180 | | 22×40: 0.90 | 25×30: 0.90 | 30×25: 0.90 | | 22×45: 0.90 | 25×35: 0.90 | 30×30: 0.90 | |
| 220 | | 22×45: 1.00 | 25×35: 1.00 | 30×30: 1.00 | | 22×50: 1.00 | 25×40: 1.00 | 30×30: 1.00 | |
| 270 | | | 25×40: 1.10 | 30×35: 1.10 | 35×30: 1.10 | | 25×45: 1.10 | 30×35: 1.10 | 35×30: 1.10 |
| 330 | | | 25×50: 1.20 | 30×40: 1.20 | 35×30: 1.20 | | | 30×40: 1.20 | 35×35: 1.20 |
| 390 | | | | 30×40: 1.30 | 35×35: 1.30 | | | 30×45: 1.30 | 35×35: 1.30 |
| 470 | | | | 30×45: 1.40 | 35×40: 1.40 | | | 30×50: 1.40 | 35×40: 1.40 |
| 560 | | | | | 35×45: 1.50 | | | | 35×50: 1.50 |
| 680 | | | | | 35×50: 1.70 | | | | |

| Cap(μF) | WV φD | 400 | | | | 450 | | | |
|---------|----------|-------------|-------------|-------------|-------------|-------------|-------------|-------------|-------------|
| | | φ 22 | φ 25 | φ 30 | φ 35 | φ 22 | φ 25 | φ 30 | φ 35 |
| 39 | | | | | | 22×25: 0.37 | | | |
| 47 | | | | | | 22×30: 0.40 | | | |
| 56 | | 22×25: 0.51 | | | | 22×35: 0.47 | 25×25: 0.47 | | |
| 68 | | 22×30: 0.56 | 25×25: 0.56 | | | 22×40: 0.53 | 25×30: 0.53 | | |
| 82 | | 22×30: 0.64 | 25×25: 0.64 | | | 22×45: 0.56 | 25×35: 0.56 | 30×25: 0.56 | |
| 100 | | 22×35: 0.69 | 25×30: 0.69 | | | 22×50: 0.64 | 25×40: 0.64 | 30×30: 0.64 | |
| 120 | | 22×40: 0.75 | 25×30: 0.75 | 30×25: 0.75 | | | 25×45: 0.72 | 30×30: 0.72 | |
| 150 | | 22×45: 0.82 | 25×35: 0.82 | 30×30: 0.82 | | | 25×50: 0.79 | 30×40: 0.79 | 35×30: 0.79 |
| 180 | | 22×50: 0.90 | 25×40: 0.90 | 30×30: 0.90 | 35×25: 0.90 | | | 30×45: 0.87 | 35×35: 0.87 |
| 220 | | | 25×45: 1.00 | 30×35: 1.00 | 35×30: 1.00 | | | 30×50: 1.00 | 35×40: 1.00 |
| 270 | | | | 30×40: 1.10 | 35×35: 1.10 | | | | 35×45: 1.19 |
| 330 | | | | 30×45: 1.20 | 35×40: 1.20 | | | | 35×50: 1.38 |
| 390 | | | | | 35×45: 1.30 | | | | |
| 470 | | | | | 35×50: 1.40 | | | | |

Case Size φ D×L(mm) ↑

↑ Ripple Current (A r.m.s./120Hz, 105°C)