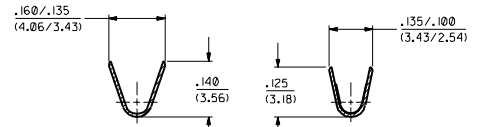
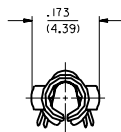
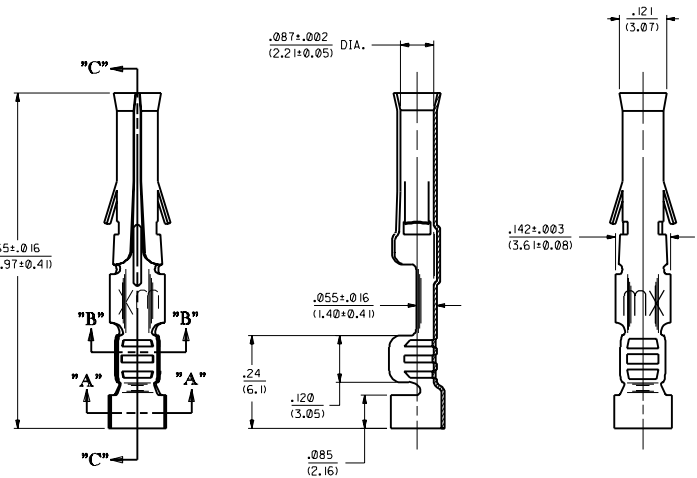


PART NO.	ENG. NO.
02-09-1122	2273-A(P90 I)
02-09-1123	2273-A(P90 IL)
-	-
-	-
-	-
-	-
-	-
-	-



SECTION "A-A" **SECTION "B-B"**



SECTION "C-C"

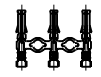
LEGEND
 2273-A(****)*
 * - FORM BLANK-CHAIN L-LOOSE
 - - FINISH CODE
 P-PREPLATE
 BLANK-POSTPLATE

- NOTES:
1. TERMINAL FOR USE WITH .093/(2.36) SERIES HOUSINGS AND WILL ACCEPT 18 THRU 22 AWG WIRE.
 2. INSERTION FORCE: 2.0 LBS. AVG. WHEN TERMINAL IS INSERTED INTO AN .093 SERIES HOUSING.
 3. CONTACT RETENTION: 20 LBS. MIN.
 4. THIS PART CONFORMS TO PRODUCT SPEC. 02-09.

MATERIAL NOTES:
 1. CARTRIDGE BRASS, ALLOY #C26000
 .008/(0.20) THICK, SPRING TEMPER

FINISH CODES:
 901 HOT TIN DIP .000020/(0.0005) MIN.

CHAIN FORM
 FULL SCALE



B	REVISE PER	DATE	BY
	ECR US 0759	2/10/94	RW
A	FINAL RELEASE	ECR US 0755	RW
		4/5/91	

DIMENSIONS SHOWN METRIC INCH		MFG. SH. REV. L.T.R. REVISIONS	
TITLE		REVISION ONLY ON CAD SYSTEM	
CRIMP TERM, FEMALE .093/(2.36) DIA. FOR 18 THRU 22 AWG WIRE		DATE: 10/14/5/91	
MOLEX INCORPORATED		PART NO. SD-2273-A	
DRAWN: CWF		SCALE: 6:1	
CHECKED: RW		DATE: 5/22/91	
APPROVED: CWF		SCALE: 6:1	
THIS DRAWING CONTAINS INFORMATION THAT IS PROPRIETARY TO MOLEX INC. AND SHOULD NOT BE USED WITHOUT WRITTEN PERMISSION.		SIZE: CP	