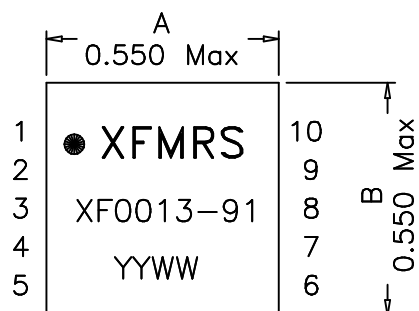
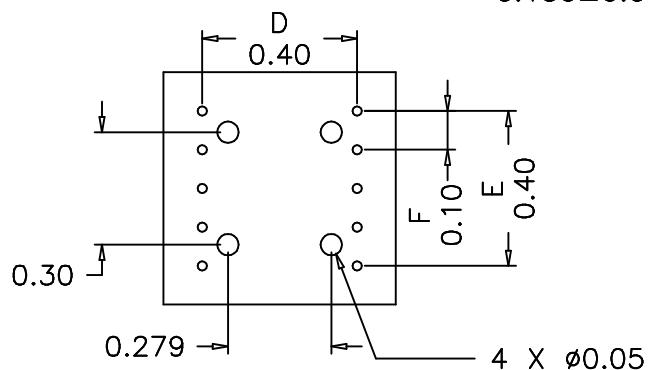
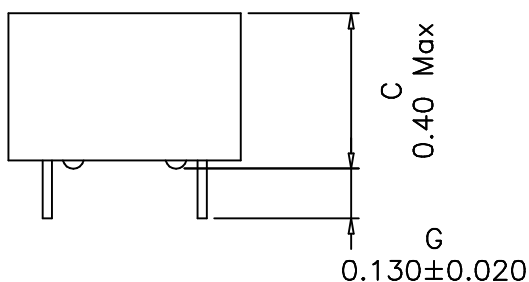


## 1. Dimensions:



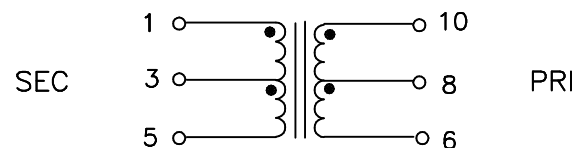
DOT INDICATES PIN1



(BOTTOM VIEW)

Leads are 22 AWG solderable

## 2. Schematic:



## 3. Electrical Specifications: @25°C

Isolation: 3000 Vrms (PRI to SEC)

Turns Ratio: 1CT:1.41CT ±5% (PRI:SEC)

PRI OCL: 1.20mH Minimum @100KHz 50mV

Cw/w: 20pF Maximum @100KHz 50mV (PRI/SEC)

PRI LL: 0.80uH Maximum @100KHz 50mV (SEC Shorted)

PRI DCR: 0.60 Ohms Maximum

SEC DCR: 0.80 Ohms Maximum

### Notes:

1. Solderability: Leads shall meet MIL-STD-202, Method 208D for solderability.
2. Flammability: UL94V-0
3. ASTM oxygen index: > 28%
4. Temperature rating: 155°C. UL file E151556
5. Operating Temperature Range: -40°C to +85°C

<b>XFMRs Inc.</b>	Title: T1/CEPT/ISDN-PRI TRANSFORMER	
	UNLESS OTHERWISE SPECIFIED TOLERANCES: .xxx ±0.010 Dimensions in Inch	P/N: XF0013-91 REV. B
	DWN.	廖玉坤 Dec-13-01
	CHK.	李清儿 Dec-13-01
	APP.	Isaiah M Dec-13-01
SCALE 2.5:1 SHT 1 OF 1		

DOC. REV B/2