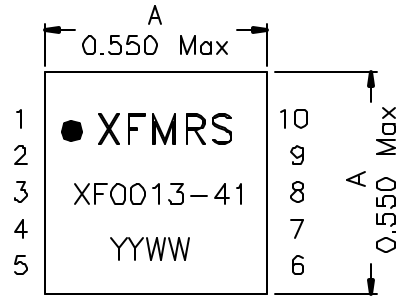
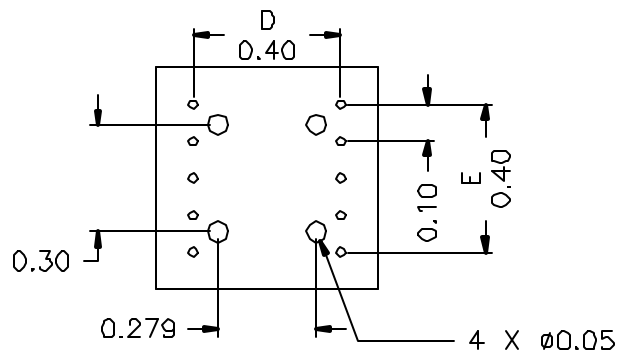
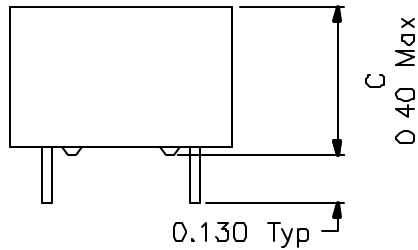


### 1. Dimensions:



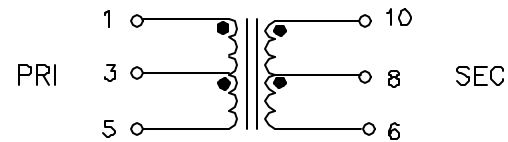
DOT INDICATES PIN 1



(BOTTOM VIEW)

Leads are 22 AWG solderable

### 2. Schematic:



### 3. Electrical Specifications: @25°C

Isolation: 3000 Vrms (PRI to SEC)

Turns Ratio: 1CT:2CT ±5% (PRI:SEC)

PRI OCL: 1.20mH Minimum @100KHz 50mV

Cw/w: 20pF Maximum @100KHz 50mV (PRI/SEC)

PRI LL: 0.30-0.55uH @100KHz 50mV (SEC Shorted)

PRI DCR: 0.50 Ohms Maximum

SEC DCR: 0.90 Ohms Maximum

#### Notes:

1. Solderability: Leads shall meet MIL-STD-202, Method 208D for solderability.
2. Flammability: UL94V-0
3. ASTM oxygen index: > 28%
4. Insulation System: Class F 155°C, UL file E15155B
5. Operating Temperature Range: All listed parameters are to be within tolerance from -40°C to +85°C
6. Storage Temperature Range: -55°C to +125°C
7. Aqueous wash compatible

<b>XFMRS Inc.</b> UNLESS OTHERWISE SPECIFIED TOLERANCES: .xxx ±0.010 Dimensions in Inch SCALE 2.5:1 SHT 1 OF 1	Title: T1/CEPT/ISDN-PRI TRANSFORMER	
	P/N: XF0013-41	REV. A
	DWN. 廖玉坤	Feb-22-01
	CHK. 李清儿	Feb-22-01
	APP. Isaiah M	Feb-22-01

DOC. REV A/1