

**PLEASE CHECK WWW.MOLEX.COM FOR LATEST PART INFORMATION**

**Part Number:** [0713492045](#)  
**Status:** **Active**  
**Overview:** [cgrid\\_sl\\_products](#)  
**Description:** 2.54mm (.100") Pitch C-Grid® Header, Surface Mount, Dual Row, Vertical, Shrouded, 26 Circuits, 0.38µm (15µ") Gold (Au) Selective Plating, with Press-fit Plastic Pegs

**Documents:**

[3D Model](#) [Product Specification PS-71349-001 \(PDF\)](#)  
[Drawing \(PDF\)](#) [RoHS Certificate of Compliance \(PDF\)](#)

**General**

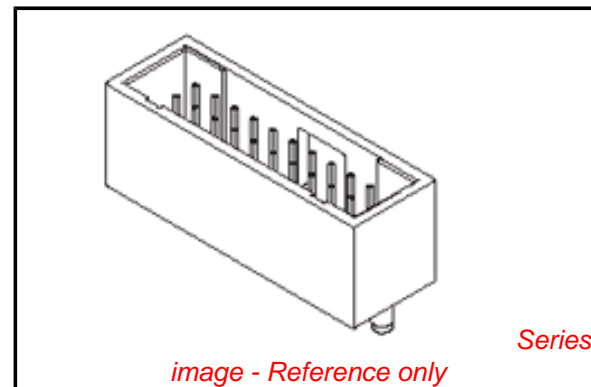
|                |                                   |
|----------------|-----------------------------------|
| Product Family | PCB Headers                       |
| Series         | <a href="#">71349</a>             |
| Application    | Wire-to-Board                     |
| Overview       | <a href="#">cgrid_sl_products</a> |
| Product Name   | C-Grid®                           |

**Physical**

|                                |                                |
|--------------------------------|--------------------------------|
| Breakaway                      | No                             |
| Circuits (Loaded)              | 26                             |
| Color - Resin                  | Black                          |
| Durability (mating cycles max) | 50                             |
| First Mate / Last Break        | No                             |
| Glow-Wire Compliant            | No                             |
| Guide to Mating Part           | No                             |
| Keying to Mating Part          | None                           |
| Lock to Mating Part            | Yes                            |
| Material - Metal               | Brass, Phosphor Bronze         |
| Material - Plating Mating      | Gold                           |
| Material - Plating Termination | Tin                            |
| Material - Resin               | High Temperature Thermoplastic |
| Number of Rows                 | 2                              |
| Orientation                    | Vertical                       |
| PC Tail Length (in)            | 0.000 In                       |
| PC Tail Length (mm)            | 0.00 mm                        |
| PCB Locator                    | Yes                            |
| PCB Retention                  | Yes                            |
| PCB Thickness Recommended (in) | 0.000 In                       |
| PCB Thickness Recommended (mm) | 0.00 mm                        |
| Packaging Type                 | Tube                           |
| Pitch - Mating Interface (in)  | 0.100 In                       |
| Pitch - Mating Interface (mm)  | 2.54 mm                        |
| Plating min: Mating (µin)      | 15                             |
| Plating min: Mating (µm)       | 0.375                          |
| Plating min: Termination (µin) | 75                             |
| Plating min: Termination (µm)  | 1.875                          |
| Polarized to Mating Part       | Yes                            |
| Shrouded                       | Fully                          |
| Stackable                      | No                             |
| Temperature Range - Operating  | -40°C to +105°C                |
| Termination Interface: Style   | Surface Mount                  |

**Electrical**

|                               |      |
|-------------------------------|------|
| Current - Maximum per Contact | 3A   |
| Voltage - Maximum             | 250V |



*image - Reference only*

**EU RoHS**

**ELV and RoHS Compliant**  
**REACH SVHC**  
 Not Reviewed  
**Halogen-Free Status**  
 Not Reviewed

**China RoHS**



**Need more information on product environmental compliance?**

Email [productcompliance@molex.com](mailto:productcompliance@molex.com)  
 For a multiple part number RoHS Certificate of Compliance, [click here](#)

Please visit the [Contact Us](#) section for any non-product compliance questions.

**Search Parts in this Series**  
[71349Series](#)

**Solder Process Data**

|  |                           |
|--|---------------------------|
| Duration at Max. Process Temperature (seconds) | 30                        |
| Lead-free Process Capability                   | Reflow Capable (SMT only) |
| Max. Cycles at Max. Process Temperature        | 3                         |
| Process Temperature max. C                     | 245                       |

**Material Info****Reference - Drawing Numbers**

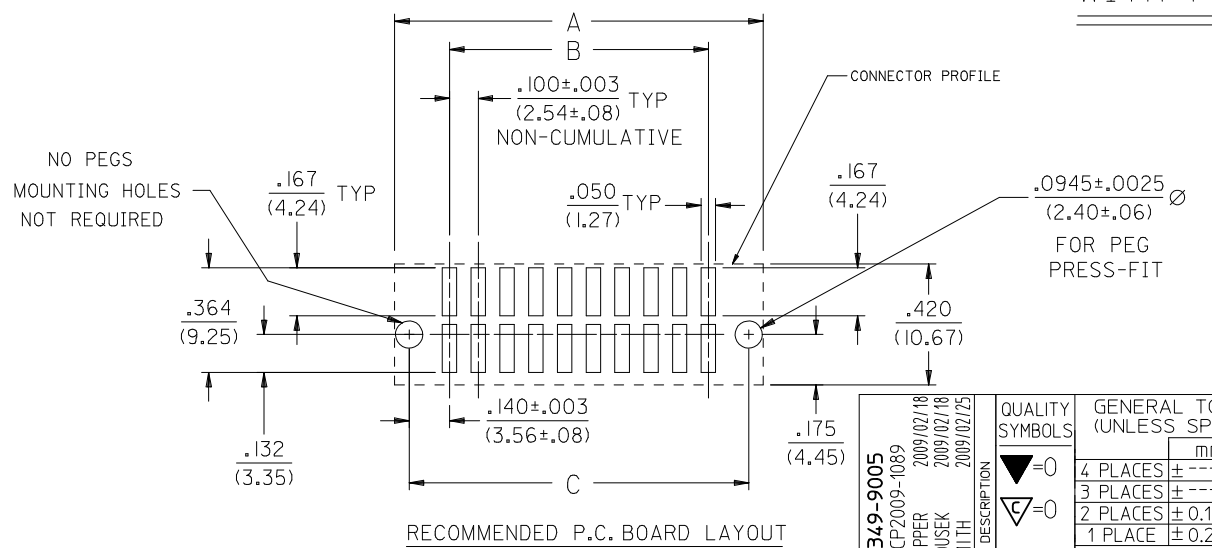
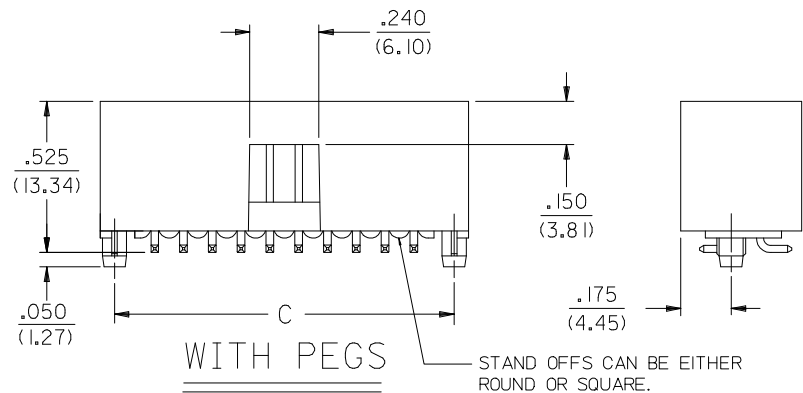
|                         |                              |
|-------------------------|------------------------------|
| Packaging Specification | PK-70873-0018, PK-70873-0019 |
| Product Specification   | PS-71349-001                 |
| Sales Drawing           | SDA-71349-****               |

This document was generated on 05/31/2010

**PLEASE CHECK [WWW.MOLEX.COM](http://WWW.MOLEX.COM) FOR LATEST PART INFORMATION**

**NOTES:**

- 1- MATERIALS:  
SHROUDED WAFER: LCP, COLOR: BLACK, 94V-0  
PINS: COPPER ALLOY.
- 2- PLATING FINISHES FOR PINS:  
TIN: .000150 MINIMUM TIN OVER  
.000050 MINIMUM NICKEL.
- 15 GOLD: .000015 MINIMUM GOLD PLATE IN SELECTED AREA AND  
.000075 MINIMUM TIN IN SELECTED AREA  
OVER .000050 MINIMUM NICKEL OVER-ALL.
- 30 GOLD: .000030 MINIMUM GOLD PLATE IN SELECTED AREA AND  
.000075 MINIMUM TIN IN SELECTED AREA  
OVER .000050 MINIMUM NICKEL OVER-ALL.
- 3- PRODUCT CONFORMS TO PS-71349-001.
- 4- SEE SHEETS 3 AND 4 FOR PACKAGING DETAILS.
- 5- ROW TO ROW PIN HEIGHT VARIATION MUST NOT EXCEED  
.005/(0.13).
- 6- THIS SHOULDER IS .125/(3.18) FOR 6 CIRCUIT ONLY.  
.174/(4.42) FOR ALL OTHER CIRCUIT SIZES.
- 7- 20 CIRCUIT SIZE SHOWN FOR ILLUSTRATION PURPOSES.
- 8- PIN SMT TAILS MUST MEET SOLDERABILITY PER  
MIL-STD-202, METHOD 208B.
- 9- PIN PUSHOUT FORCE 4 LBS/(17.79N) MINIMUM  
IN THE DIRECTION INDICATED.
- 10- PRODUCT MATES TO 70013B (6 TO 50 CKTS).
- 11- PARTS CONFORM TO CLASS B REQUIREMENTS OF  
COSMETIC SPECIFICATION PS-45499-002



NOTE FOR LEAD FREE CONVERSION:  
THE PRIMARY SHIPPING CARTON WILL BE LABELED "COMPLIANT TO RoHS  
DIRECTIVE 2002/95/EC AND ELV ANNEX II OF DIRECTIVE 2000/53/EC".  
CARTONS WITHOUT THIS LABEL MAY CONTAIN PRODUCT WITH LEAD.

|     |     |
|-----|-----|
| 4   | I2  |
| 3   | J1  |
| 2   | C   |
| 1   | J1  |
| SHT | REV |

| ADD 71349-9005<br>EC NO: UCP2009-1089<br>DRWN:MKIPPER 2009/02/18<br>CHKD:SSOUSEK 2009/02/18<br>APPR:FSMLTH 2009/02/25 | QUALITY SYMBOLS<br>▽=0<br>▽=0  | GENERAL TOLERANCES (UNLESS SPECIFIED)<br><table border="1"> <tr> <th></th> <th>mm</th> <th>INCH</th> </tr> <tr> <td>4 PLACES ±</td> <td>---</td> <td>---</td> </tr> <tr> <td>3 PLACES ±</td> <td>---</td> <td>±.005</td> </tr> <tr> <td>2 PLACES ±</td> <td>0.13</td> <td>±.01</td> </tr> <tr> <td>1 PLACE ±</td> <td>0.25</td> <td>±---</td> </tr> </table> ANGULAR ±1/2° |                    | mm                 | INCH               | 4 PLACES ±  | --- | --- | 3 PLACES ± | --- | ±.005 | 2 PLACES ± | 0.13 | ±.01 | 1 PLACE ± | 0.25 | ±--- | DIMENSION STYLE<br>IN/MM | SCALE<br>3:1 | DESIGN UNITS<br>INCH | THIRD ANGLE PROJECTION |
|---|--------------------------------|--|--------------------|--------------------|--------------------|---|-----|-----|------------|-----|-------|------------|------|------|-----------|------|------|--------------------------|--------------|----------------------|------------------------|
|   |                                | mm   | INCH               |                    |                    |   |     |     |            |     |       |            |      |      |           |      |      |                          |              |                      |                        |
|   | 4 PLACES ±                     | ---  | ---                |                    |                    |   |     |     |            |     |       |            |      |      |           |      |      |                          |              |                      |                        |
|   | 3 PLACES ±                     | ---  | ±.005              |                    |                    |   |     |     |            |     |       |            |      |      |           |      |      |                          |              |                      |                        |
| 2 PLACES ±  | 0.13                           | ±.01   |                    |                    |                    |   |     |     |            |     |       |            |      |      |           |      |      |                          |              |                      |                        |
| 1 PLACE ±   | 0.25                           | ±---   |                    |                    |                    |   |     |     |            |     |       |            |      |      |           |      |      |                          |              |                      |                        |
| DRAWN BY<br>RB  | DATE<br>10/26/1992             | CHECKED BY<br>DJB  | DATE<br>10/26/1992 | APPROVED BY<br>DJB | DATE<br>10/26/1992 | TITLE<br>SALES ASSY, WAFER-4 SIDES SHROUDED, HIGH TEMP, SMT POLAR SLOTS, .100 GRID  |     |     |            |     |       |            |      |      |           |      |      |                          |              |                      |                        |
| MATERIAL NO.<br>SEE TABLE   | DOCUMENT NO.<br>SDA-71349-**** | SHEET NO.<br>1 OF 4  | MOLEX INCORPORATED |                    |                    |   |     |     |            |     |       |            |      |      |           |      |      |                          |              |                      |                        |
| DRAFT WHERE APPLICABLE MUST REMAIN WITHIN DIMENSIONS  |                                |  |                    |                    |                    | THIS DRAWING CONTAINS INFORMATION THAT IS PROPRIETARY TO MOLEX INCORPORATED AND SHOULD NOT BE USED WITHOUT WRITTEN PERMISSION |     |     |            |     |       |            |      |      |           |      |      |                          |              |                      |                        |

| NO. OF CKTS | "A"           |            | "B"           |            | "C"           |            |
|-------------|---------------|------------|---------------|------------|---------------|------------|
|             | INCH<br>±.005 | MM<br>±.13 | INCH<br>±.003 | MM<br>±.08 | INCH<br>±.003 | MM<br>±.08 |
| 06          | .580          | 14.73      | .200          | 5.08       | .480          | 12.19      |
| 08          | .680          | 17.27      | .300          | 7.62       | .580          | 14.73      |
| 10          | .780          | 19.81      | .400          | 10.16      | .680          | 17.27      |
| 12          | .880          | 22.35      | .500          | 12.70      | .780          | 19.81      |
| 14          | .980          | 24.89      | .600          | 15.24      | .880          | 22.35      |
| 16          | 1.080         | 27.43      | .700          | 17.78      | .980          | 24.89      |
| 18          | 1.180         | 29.97      | .800          | 20.32      | 1.080         | 27.43      |
| 20          | 1.280         | 32.51      | .900          | 22.86      | 1.180         | 29.97      |
| 22          | 1.380         | 35.05      | 1.000         | 25.40      | 1.280         | 32.51      |
| 24          | 1.480         | 37.59      | 1.100         | 27.94      | 1.380         | 35.05      |
| 26          | 1.580         | 40.13      | 1.200         | 30.48      | 1.480         | 37.59      |
| 28          | 1.680         | 42.67      | 1.300         | 33.02      | 1.580         | 40.13      |
| 30          | 1.780         | 45.21      | 1.400         | 35.56      | 1.680         | 42.67      |
| 32          | 1.880         | 47.75      | 1.500         | 38.10      | 1.780         | 45.21      |
| 34          | 1.980         | 50.29      | 1.600         | 40.64      | 1.880         | 47.75      |
| 36          | 2.080         | 52.83      | 1.700         | 43.18      | 1.980         | 50.29      |
| 38          | 2.180         | 55.37      | 1.800         | 45.72      | 2.080         | 52.83      |
| 40          | 2.280         | 57.91      | 1.900         | 48.26      | 2.180         | 55.37      |
| 42          | 2.380         | 60.45      | 2.000         | 50.80      | 2.280         | 57.91      |
| 44          | 2.480         | 62.99      | 2.100         | 53.34      | 2.380         | 60.45      |
| 46          | 2.580         | 65.53      | 2.200         | 55.88      | 2.480         | 62.99      |
| 48          | 2.680         | 68.07      | 2.300         | 58.42      | 2.580         | 65.53      |
| 50          | 2.780         | 70.61      | 2.400         | 60.96      | 2.680         | 68.07      |
| 52          | 2.880         | 73.15      | 2.500         | 63.50      | 2.780         | 70.61      |
| 54          | 2.980         | 75.69      | 2.600         | 66.04      | 2.880         | 73.15      |
| 56          | 3.080         | 78.23      | 2.700         | 68.58      | 2.980         | 75.69      |
| 58          | 3.180         | 80.77      | 2.800         | 71.12      | 3.080         | 78.23      |
| 60          | 3.280         | 83.31      | 2.900         | 73.66      | 3.180         | 80.77      |
| 62          | 3.380         | 85.85      | 3.000         | 76.20      | 3.280         | 83.31      |
| 64          | 3.480         | 88.39      | 3.100         | 78.74      | 3.380         | 85.85      |
| 66          | 3.580         | 90.93      | 3.200         | 81.28      | 3.480         | 88.39      |
| 68          | 3.680         | 93.47      | 3.300         | 83.82      | 3.580         | 90.93      |
| 70          | 3.780         | 96.01      | 3.400         | 86.36      | 3.680         | 93.47      |
| 72          | 3.880         | 98.55      | 3.500         | 88.90      | 3.780         | 96.01      |

|   |             |
|---|-------------|
| C | SEE SHEET 1 |
| B | SEE SHEET 1 |
| A | SEE SHEET 1 |

| MFG. | SH. | REV. | LTR. | REVISIONS |
|------|-----|------|------|-----------|
|      |     |      |      |           |

DIMENSIONS SHOWN (METRIC) INCH  
UNLESS OTHERWISE SPECIFIED  
TOLERANCES: ANGULAR ± 1/2°

|         | INCH | METRIC |
|---------|------|--------|
| 3 PLACE | ± -- | --     |
| 2 PLACE | ± -- | ± --   |
| 1 PLACE | --   | ± --   |

DRAFT WHERE APPLICABLE MUST  
REMAIN WITHIN DIMENSIONS

DRWG. BY: WGM    CHK'D. BY: DJB  
APP'D. BY: DJB    SCALE: N : A

▽ = 0    ▽ = 0    REVISE ONLY ON CAD SYSTEM

TITLE: WAFER-4 SIDES SHROUDED,  
HIGH TEMP, .150 END WALL, POLAR  
SLOTS, .100 GRID, SURFACE MOUNT

moLEX MOLEX INCORPORATED    SHEET NO. 2    DATE 6/10/96  
LISLE, ILL. 60532    U.S.A.

PART NO.    DRWG. NO.    SEE CHART    SDA-71349-\*\*\*\*

FILE NAME: S71349X2    THIS DRAWING CONTAINS INFORMATION THAT IS PROPRIETARY TO MOLEX INC. AND SHOULD NOT BE USED WITHOUT WRITTEN PERMISSION.    DIV. DA    SIZE C

71349

| WITH PEGS      |                        |                             |                        |                             |                        |                             | WITHOUT PEGS   |                        |                             |                        |                             |                        |                             |
|----------------|------------------------|-----------------------------|------------------------|-----------------------------|------------------------|-----------------------------|----------------|------------------------|-----------------------------|------------------------|-----------------------------|------------------------|-----------------------------|
| PLATING        | TIN                    |                             | 15 GOLD                |                             | 30 GOLD                |                             | PLATING        | TIN                    |                             | 15 GOLD                |                             | 30 GOLD                |                             |
| PACKAGING      | TUBES<br>PK-70873-0019 | TAPE & REEL<br>PK-71349-001 | TUBES<br>PK-70873-0019 | TAPE & REEL<br>PK-71349-001 | TUBES<br>PK-70873-0019 | TAPE & REEL<br>PK-71349-001 | PACKAGING      | TUBES<br>PK-70873-0018 | TAPE & REEL<br>PK-71349-001 | TUBES<br>PK-70873-0018 | TAPE & REEL<br>PK-71349-001 | TUBES<br>PK-70873-0018 | TAPE & REEL<br>PK-71349-001 |
| NO. OF<br>CKTS | ASSEMBLY<br>ITEM NO.   |                             | ASSEMBLY<br>ITEM NO.   |                             | ASSEMBLY<br>ITEM NO.   | ASSEMBLY<br>ITEM NO.        | NO. OF<br>CKTS | ASSEMBLY<br>ITEM NO.   | ASSEMBLY<br>ITEM NO.        | ASSEMBLY<br>ITEM NO.   | ASSEMBLY<br>ITEM NO.        | ASSEMBLY<br>ITEM NO.   | ASSEMBLY<br>ITEM NO.        |
| 06             | 71349-2001             |                             | 71349-2035             |                             | 71349-2069             |                             | 06             | 71349-1001             |                             | 71349-1035             |                             | 71349-1069             |                             |
| 08             | 71349-2002             |                             | 71349-2036             |                             | 71349-2070             |                             | 08             | 71349-1002             | 71349-9002                  | 71349-1036             | 71349-0036                  | 71349-1070             | 71349-5036                  |
| 10             | 71349-2003             | 71349-6003                  | 71349-2037             | 71349-8037                  | 71349-2071             | 71349-4071                  | 10             | 71349-1003             | 71349-9003                  | 71349-1037             | 71349-0037                  | 71349-1071             | 71349-5037                  |
| 12             | 71349-2004             |                             | 71349-2038             |                             | 71349-2072             |                             | 12             | 71349-1004             |                             | 71349-1038             |                             | 71349-1072             |                             |
| 14             | 71349-2005             |                             | 71349-2039             |                             | 71349-2073             |                             | 14             | 71349-1005             | 71349-9005                  | 71349-1039             |                             | 71349-1073             |                             |
| 16             | 71349-2006             |                             | 71349-2040             |                             | 71349-2074             |                             | 16             | 71349-1006             |                             | 71349-1040             | 71349-0040                  | 71349-1074             |                             |
| 18             | 71349-2007             |                             | 71349-2041             |                             | 71349-2075             |                             | 18             | 71349-1007             |                             | 71349-1041             |                             | 71349-1075             |                             |
| 20             | 71349-2008             | 71349-6008                  | 71349-2042             | 71349-8042                  | 71349-2076             | 71349-4076                  | 20             | 71349-1008             | 71349-9008                  | 71349-1042             | 71349-0042                  | 71349-1076             | 71349-5042                  |
| 22             | 71349-2009             |                             | 71349-2043             |                             | 71349-2077             |                             | 22             | 71349-1009             |                             | 71349-1043             |                             | 71349-1077             |                             |
| 24             | 71349-2010             |                             | 71349-2044             |                             | 71349-2078             |                             | 24             | 71349-1010             |                             | 71349-1044             |                             | 71349-1078             |                             |
| 26             | 71349-2011             |                             | 71349-2045             |                             | 71349-2079             |                             | 26             | 71349-1011             |                             | 71349-1045             |                             | 71349-1079             |                             |
| 28             | 71349-2012             |                             | 71349-2046             |                             | 71349-2080             |                             | 28             | 71349-1012             |                             | 71349-1046             |                             | 71349-1080             |                             |
| 30             | 71349-2013             |                             | 71349-2047             |                             | 71349-2081             |                             | 30             | 71349-1013             |                             | 71349-1047             |                             | 71349-1081             |                             |
| 32             | 71349-2014             |                             | 71349-2048             |                             | 71349-2082             |                             | 32             | 71349-1014             |                             | 71349-1048             |                             | 71349-1082             |                             |
| 34             | 71349-2015             |                             | 71349-2049             |                             | 71349-2083             |                             | 34             | 71349-1015             |                             | 71349-1049             |                             | 71349-1083             |                             |
| 36             | 71349-2016             |                             | 71349-2050             |                             | 71349-2084             |                             | 36             | 71349-1016             |                             | 71349-1050             |                             | 71349-1084             |                             |
| 38             | 71349-2017             |                             | 71349-2051             |                             | 71349-2085             |                             | 38             | 71349-1017             |                             | 71349-1051             |                             | 71349-1085             |                             |
| 40             | 71349-2018             |                             | 71349-2052             |                             | 71349-2086             |                             | 40             | 71349-1018             |                             | 71349-1052             |                             | 71349-1086             |                             |
| 42             | 71349-2019             |                             | 71349-2053             |                             | 71349-2087             |                             | 42             | 71349-1019             |                             | 71349-1053             |                             | 71349-1087             |                             |
| 44             | 71349-2020             |                             | 71349-2054             |                             | 71349-2088             |                             | 44             | 71349-1020             |                             | 71349-1054             |                             | 71349-1088             |                             |
| 46             | 71349-2021             |                             | 71349-2055             |                             | 71349-2089             |                             | 46             | 71349-1021             |                             | 71349-1055             |                             | 71349-1089             |                             |
| 48             | 71349-2022             |                             | 71349-2056             |                             | 71349-2090             |                             | 48             | 71349-1022             |                             | 71349-1056             |                             | 71349-1090             |                             |
| 50             | 71349-2023             | 71349-6023                  | 71349-2057             | 71349-8057                  | 71349-2091             | 71349-4091                  | 50             | 71349-1023             | 71349-9023                  | 71349-1057             | 71349-0057                  | 71349-1091             | 71349-5057                  |
| 52             | 71349-2024             |                             | 71349-2058             |                             | 71349-2092             |                             | 52             | 71349-1024             |                             | 71349-1058             |                             | 71349-1092             |                             |
| 54             | 71349-2025             |                             | 71349-2059             |                             | 71349-2093             |                             | 54             | 71349-1025             |                             | 71349-1059             |                             | 71349-1093             |                             |
| 56             | 71349-2026             |                             | 71349-2060             |                             | 71349-2094             |                             | 56             | 71349-1026             |                             | 71349-1060             |                             | 71349-1094             |                             |
| 58             | 71349-2027             |                             | 71349-2061             |                             | 71349-2095             |                             | 58             | 71349-1027             |                             | 71349-1061             |                             | 71349-1095             |                             |
| 60             | 71349-2028             |                             | 71349-2062             |                             | 71349-2096             |                             | 60             | 71349-1028             |                             | 71349-1062             |                             | 71349-1096             |                             |
| 62             | 71349-2029             |                             | 71349-2063             |                             | 71349-2097             |                             | 62             | 71349-1029             |                             | 71349-1063             |                             | 71349-1097             |                             |
| 64             | 71349-2030             |                             | 71349-2064             |                             | 71349-2098             |                             | 64             | 71349-1030             |                             | 71349-1064             |                             | 71349-1098             |                             |
| 66             | 71349-2031             |                             | 71349-2065             |                             | 71349-2099             |                             | 66             | 71349-1031             |                             | 71349-1065             |                             | 71349-1099             |                             |
| 68             | 71349-2032             |                             | 71349-2066             |                             | 71349-2100             |                             | 68             | 71349-1032             |                             | 71349-1066             |                             | 71349-1100             |                             |
| 70             | 71349-2033             |                             | 71349-2067             |                             | 71349-2101             |                             | 70             | 71349-1033             |                             | 71349-1067             |                             | 71349-1101             |                             |
| 72             | 71349-2034             |                             | 71349-2068             |                             | 71349-2102             |                             | 72             | 71349-1034             |                             | 71349-1068             |                             | 71349-1102             |                             |

| <b>ADD 71349-9005</b><br>EC NO: UCP2009-1089<br>DRAWN/KIPPER 2009/02/18<br>CHKD:SSOUSEK 2009/02/18<br>APPR:FSMLTH 2009/02/25<br>REV: J1 | QUALITY SYMBOLS<br>▽=0<br>▽=0 | GENERAL TOLERANCES (UNLESS SPECIFIED)<br><table border="1"> <tr><th></th><th>mm</th><th>INCH</th></tr> <tr><td>4 PLACES</td><td>± ---</td><td>± ---</td></tr> <tr><td>3 PLACES</td><td>± ---</td><td>± ---</td></tr> <tr><td>2 PLACES</td><td>± ---</td><td>± ---</td></tr> <tr><td>1 PLACE</td><td>± ---</td><td>± ---</td></tr> </table> |                                       | mm                         | INCH | 4 PLACES | ± --- | ± --- | 3 PLACES | ± --- | ± --- | 2 PLACES | ± --- | ± --- | 1 PLACE | ± --- | ± --- | DIMENSION STYLE<br><b>IN/MM</b><br>DRAWN BY DATE<br>MGM 06/10/1996<br>CHECKED BY DATE<br>DJB 06/10/1996<br>APPROVED BY DATE<br>DJB 06/10/1996 | SCALE<br>---<br>DESIGN UNITS<br><b>INCH</b><br>THIRD ANGLE PROJECTION | TITLE<br><b>SALES ASSY,4-SIDES<br/>         SHROUDED, HIGH TEMP, SMT<br/>         POLAR SLOTS, .150 GRID</b> |
|---|-------------------------------|--|---------------------------------------|----------------------------|------|----------|-------|-------|----------|-------|-------|----------|-------|-------|---------|-------|-------|---|---|--|
|   |                               | mm   | INCH                                  |                            |      |          |       |       |          |       |       |          |       |       |         |       |       |   |   |  |
|   | 4 PLACES                      | ± ---  | ± ---                                 |                            |      |          |       |       |          |       |       |          |       |       |         |       |       |   |   |  |
|   | 3 PLACES                      | ± ---  | ± ---                                 |                            |      |          |       |       |          |       |       |          |       |       |         |       |       |   |   |  |
|   | 2 PLACES                      | ± ---  | ± ---                                 |                            |      |          |       |       |          |       |       |          |       |       |         |       |       |   |   |  |
| 1 PLACE   | ± ---                         | ± ---  |                                       |                            |      |          |       |       |          |       |       |          |       |       |         |       |       |   |   |  |
| DRAFT WHERE APPLICABLE<br>MUST REMAIN<br>WITHIN DIMENSIONS  |                               | MATERIAL NO.<br><b>SEE TABLE</b>   | DOCUMENT NO.<br><b>SDA-71349-****</b> | SHEET NO.<br><b>3 OF 4</b> |      |          |       |       |          |       |       |          |       |       |         |       |       |   |   |  |
| THIS DRAWING CONTAINS INFORMATION THAT IS PROPRIETARY TO MOLEX<br>INCORPORATED AND SHOULD NOT BE USED WITHOUT WRITTEN PERMISSION        |                               |  |                                       |                            |      |          |       |       |          |       |       |          |       |       |         |       |       |   |   |  |