

Customer Information Sheet

DRAWING No.: D01-997XXXX

SHEET 2 OF 2

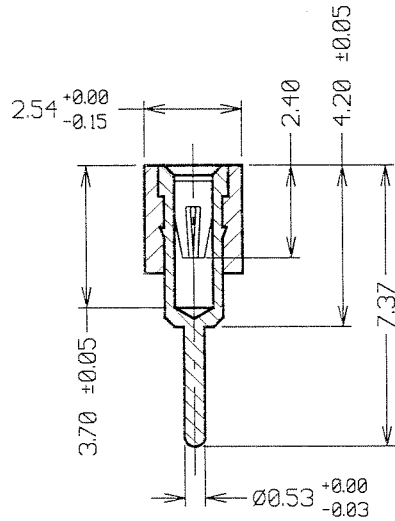
IF IN DOUBT - ASK

©

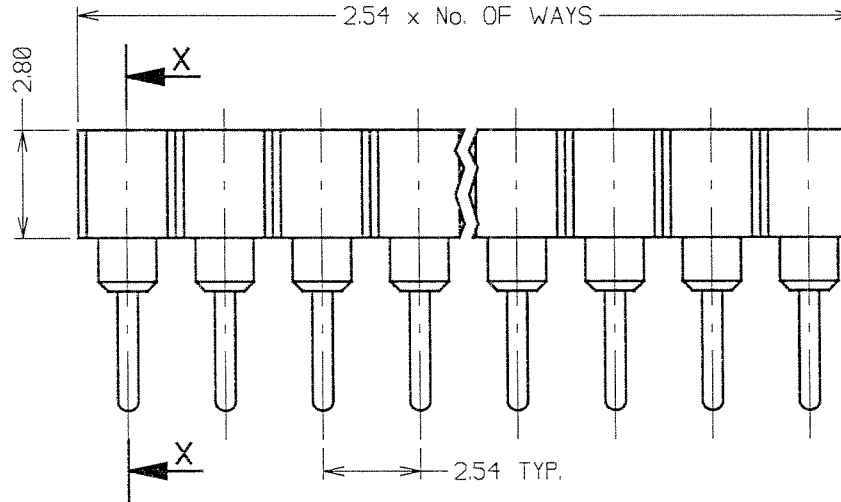
NOT TO SCALE

THIRD ANGLE PROJECTION

ALL DIMENSIONS IN mm



SECTION X-X



SPECIFICATION.

MATERIAL:

CARRIER = (FOR 01 & 21 FINISHES)
GLASS FILLED PBT, BLACK, UL94V-0
CARRIER = (FOR 42 FINISH)
GLASS FILLED PCT, BLACK, UL94V-0
SHELL = BRASS
CONTACT = BERYLLIUM COPPER

FINISH:

01 = 90/10 TIN/LEAD SHELL, GOLD CLIP
21 = 90/10 TIN/LEAD SHELL, GOLD FLASH CLIP
42 = 100% TIN SHELL, GOLD CLIP

ELECTRICAL:

CURRENT RATING = 1A
VOLTAGE RATING = 100V AC, 150V DC
CONTACT RESISTANCE = 10 MILLIOHMS MAX.
INSULATION RESISTANCE = 10000 MEGOHMS MIN.
DIELECTRIC WITHSTANDING = 1000V AC MIN.

MECHANICAL:

INSERTION FORCE (Ø0.46mm GAUGE) = 5N MAX.
WITHDRAWAL FORCE (Ø0.46mm GAUGE) = 0.5N MIN.
DURABILITY = 500 CYCLES MIN.

ENVIRONMENTAL:

TEMPERATURE RANGE = -55 TO +125°C

NOTES.

1. RECOMMENDED PCB SIZE = 1.4-2.0mm.
2. RECOMMENDED PIN SIZE = Ø0.40-0.56mm.
3. RECOMMENDED PCB HOLE SIZE = Ø0.8mm.

ORDER CODE:

D01-997XXXX

No. OF WAYS
1 TO 32, 48 & 64
FINISH

01 = TIN/LEAD SHELL, GOLD CLIP
21 = TIN/LEAD SHELL, GOLD FLASH CLIP
42 = 100% TIN SHELL, GOLD CLIP

RA	8	17.01.08	9947
NAME	ISS.	DATE	C/NOTE
APPROVED: <i>[Signature]</i>			
CHECKED: <i>[Signature]</i>			
DRAWN:		D. BECK	
CUSTOMER REF.:			
ASSEMBLY DRG:			

HARWIN

THIS DRAWING AND ANY INFORMATION OR DESCRIPTIVE MATTER SET OUT HEREON ARE CONFIDENTIAL AND COPYRIGHT PROPERTY OF THE HARWIN GROUP AND MUST NOT BE DISCLOSED, LOANED, COPIED OR USED FOR MANUFACTURING, TENDERING OR FOR ANY OTHER PURPOSE WITHOUT THEIR WRITTEN PERMISSION.

TOLERANCES

X = ±1mm
X.X = ±0.25mm
X.XX = ±0.10mm
X.XXX = ±0.01mm
ANGLES = ±5°
UNLESS STATED

MATERIAL:

SEE ABOVE

FINISH:

SEE ABOVE

S/AREA:

mm²

TITLE:

SIL THROUGH SOCKET CONNECTOR

DRAWING NUMBER:

D01-997XXXX

HARWIN USA
TEL: 603 893 5376
FAX: 603 893 5396
mis@harwin.com

HARWIN Europe (UK)
TEL: 023 9231 4545
FAX: 023 9231 4590
mis@harwin.co.uk

HARWIN Asia
TEL: +65 6 779 4909
FAX: +65 6 779 3868
mis@harwin.com.sg

SHT
2
OF
2