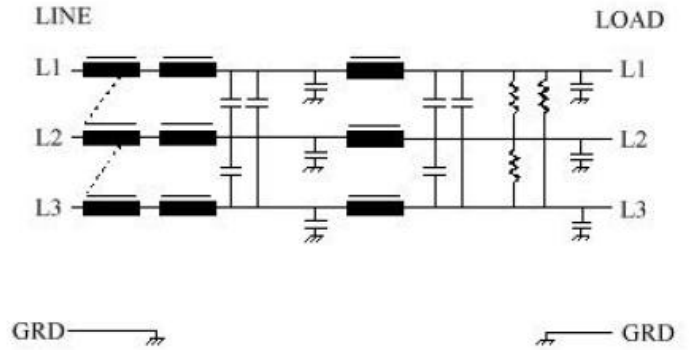




# 0664D SERIES

The 664D filter is a 3 phase (Delta) filter.  
 This series is designed to be used with military systems which are required to meet the conducted emission levels of MIL-STD-461, CE03.  
 Minor modifications can be done to adjust the Environmental and vibration specs.



**Operating Voltage = 250/480 V ac**  
**Operating Current Max= 7 & 10 amps**  
**Operating Frequency = 50 - 400Hz**  
**Operating Temperature= -20 to +50oC**  
**Diel Withstand ( L to Case)= 1 500V ~for 1 Min.**  
**Diel Withstand ( L to L)= 1 500V dc for 1 Min.**  
**Leakage current @ 250V ~60Hz=**  
**1.0 mA at 250V ac, 400Hz**  
**Max Residual Voltage after 5 secs = 34 V olts**  
**Max**

