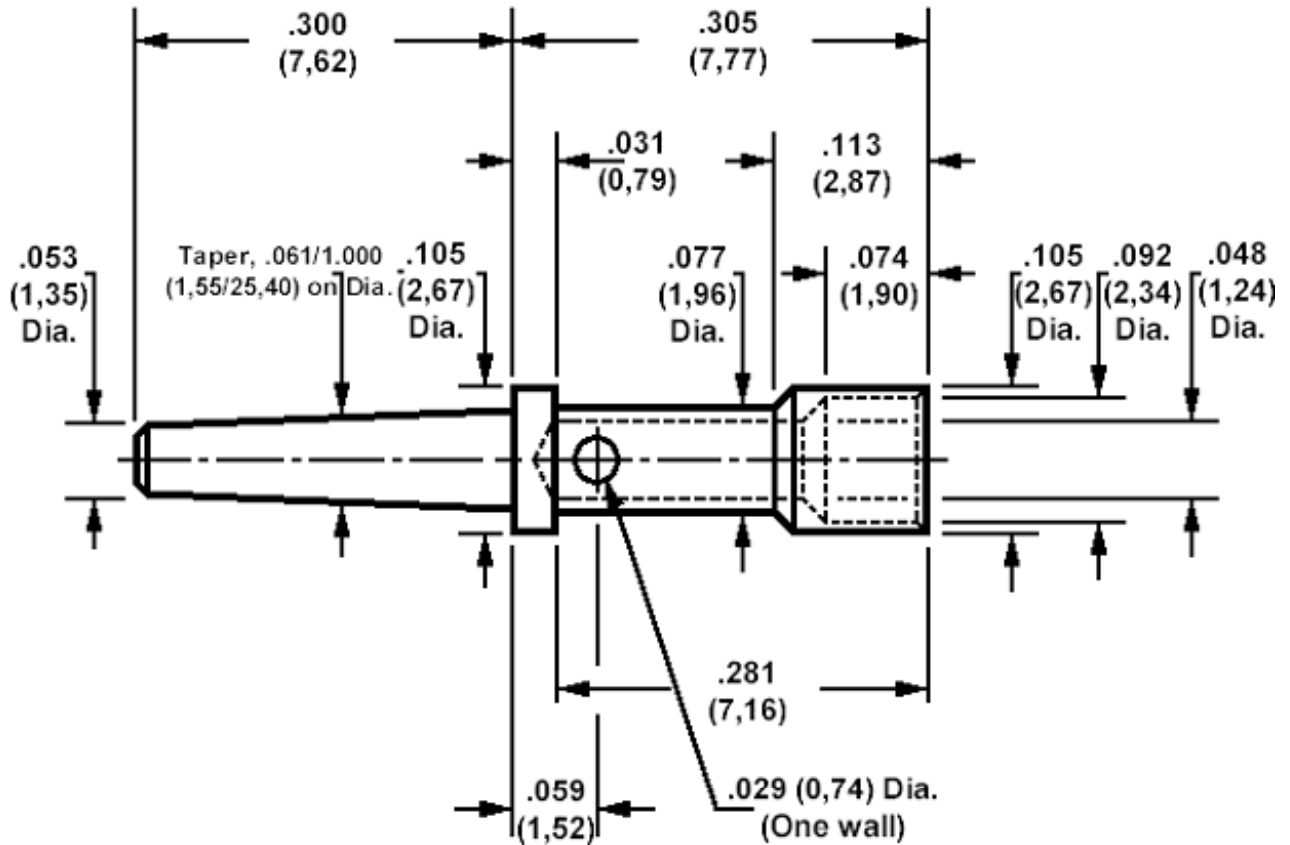


465-1781 Crimp taper pin, .053 (1,35) to .061 (1,57) diameter pin.



How to order code
465-1781-01-XX-00
 Basic Part No XX= Plating

Component	Material	Finish (-03)	Finish (-04)
Pin	Brass	Gold over Nickel	Electro-tin over copper

Recommended hook up wire size is 22 AWG (7 strands of 30AWG) copper wire, insulated, .053(1,37) over insulation. (not supplied).

Will also accept 20 AWG (7 strands of 28AWG) copper wire, insulated and 24 AWG (7 strands of 32AWG) copper wire, insulated.

Recommended crimping pliers 435-5680-01-00-00.

Mechanical tolerance unless otherwise stated $\pm .005$ (0,13)