

**PLEASE CHECK WWW.MOLEX.COM FOR LATEST PART INFORMATION**

**Part Number:** [0494561017](#)  
**Status:** **Active**  
**Description:** 1.00mm (0.039") Backflip Connector Assembly, 10 Circuits, Nylon Glass Filled, UL94V-0, Beige

**Documents:**

[3D Model](#) [Product Specification PS-49456-001 \(PDF\)](#)  
[Drawing \(PDF\)](#) [RoHS Certificate of Compliance \(PDF\)](#)

**Agency Certification**

UL E29179

**General**

Product Family FFC/FPC Connectors  
 Series [49456](#)  
 Product Name BackFlip™

**Physical**

Circuits (Loaded) 10  
 Circuits (maximum) 10  
 Color - Resin Beige, Black  
 Contact Position Bottom  
 Durability (mating cycles max) 250  
 Entry Angle Side Entry  
 Flammability 94V-0  
 Material - Metal Copper Alloy  
 Material - Plating Mating Tin  
 Material - Resin Nylon  
 Number of Rows 1  
 Orientation Right Angle  
 PCB Locator No  
 PCB Retention None  
 Packaging Type Embossed Tape on Reel  
 Pitch - Mating Interface (in) 0.039 In  
 Pitch - Mating Interface (mm) 1.00 mm  
 Polarized to PCB No  
 Stackable No  
 Surface Mount Compatible (SMC) Yes  
 Temperature Range - Operating -40°C to +105°C  
 Termination Interface: Style IDT or Pierce  
 Wire/Cable Type FFC/FPC

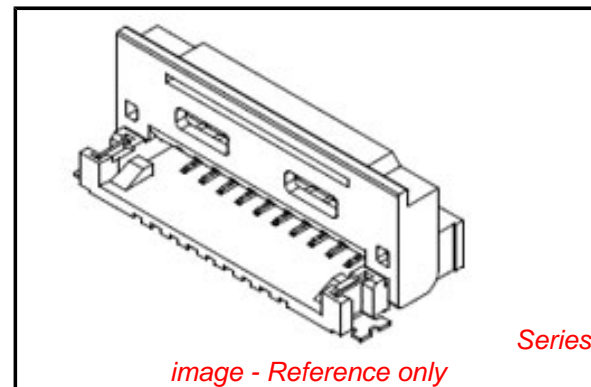
**Electrical**

Current - Maximum per Contact 1A  
 Voltage - Maximum 125V AC (RMS)

**Material Info**

**Reference - Drawing Numbers**

Product Specification PS-49456-001  
 Sales Drawing SD-49456-001



**EU RoHS**

**ELV and RoHS  
 Compliant**  
**REACH SVHC**  
 Not Reviewed  
**Halogen-Free  
 Status**  
**Not Reviewed**

**China RoHS**



**Need more information on product  
 environmental compliance?**

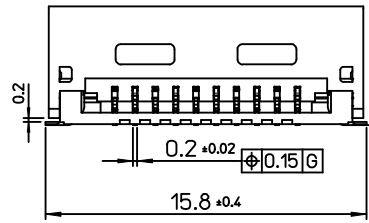
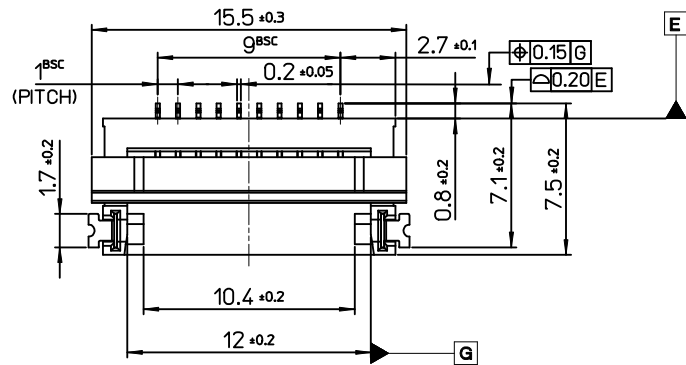
Email [productcompliance@molex.com](mailto:productcompliance@molex.com)  
 For a multiple part number RoHS Certificate of Compliance, [click here](#)

Please visit the [Contact Us](#) section for any non-product compliance questions.

**Search Parts in this Series**  
[49456Series](#)

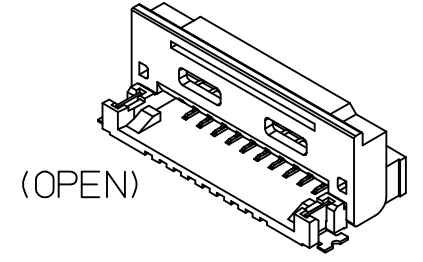
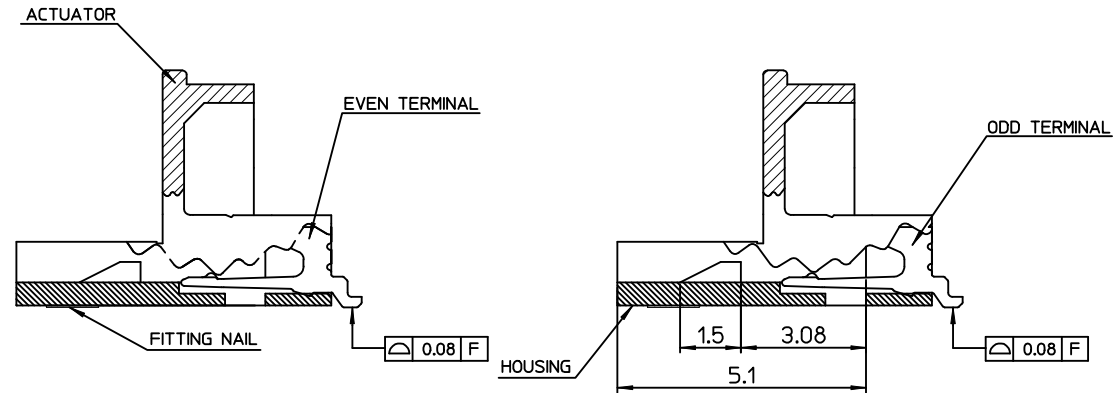
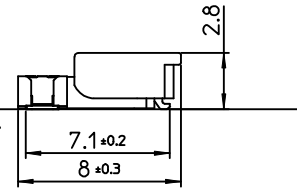
LEAD FREE

MOLEX CONFIDENTIAL



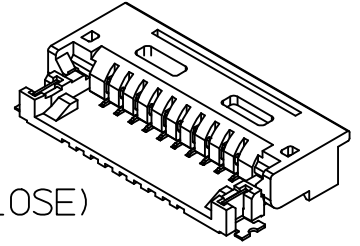
COPLANARITY : 0.08 MAX.

COPLANARITY 0.08mm MAX.



(OPEN)

ISOMETRIC VIEW



(CLOSE)

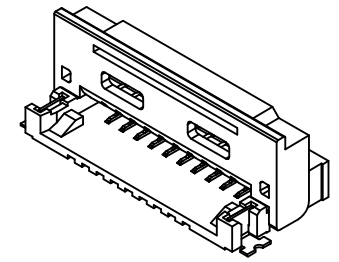
NOTES

- MATERIAL
  - HOUSING : NYLON, GLASS FILLED. UL94V-0, COLOR:BEIGE
  - ACTUATOR : LCP.(OR NYLON) GLASS FILLED. UL94V-0, COLOR:BLACK
  - TERMINAL : COPPER ALLOY
  - FITTING NAIL : COPPER ALLOY
- FINISHES
  - TERMINAL : Tin(Sn) 1.5~3um OVER NICKEL(Ni) PLATING 2~4um
  - FITTING NAIL : TIN(Sn) 1~3um OVER NICKEL(Ni) PLATING 1~3um
- PRODUCT SPECIFICATION : PS-49456-001
- PACKING SPECIFICATION : PK-49456-001
- ACTUATOR IS OPEN IN THE EMBOSSED PACKING

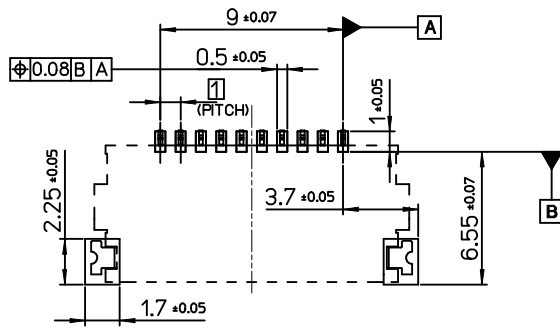
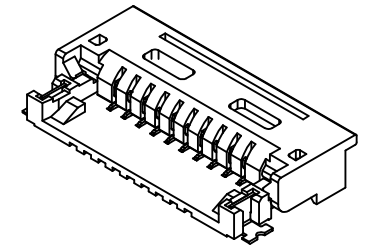
REVISED EC NO: KOR2010-0011 DRWN:JHJEONG 2009/07/24 CHKD:YSOOKIM 2009/07/24 APPR:YUNSIKKIM 2009/07/24	DESCRIPTION B1	QUALITY SYMBOLS	GENERAL TOLERANCES (UNLESS SPECIFIED)		DIMENSION STYLE MM ONLY		SCALE 4:1	DESIGN UNITS METRIC	THIRD ANGLE PROJECTION		
		▽=0 ▽=0	4 PLACES ± --- ± --- 3 PLACES ± --- ± --- 2 PLACES ± 0.25 ± --- 1 PLACE ± 0.3 ± --- ANGULAR ± 1°	mm INCH	DRAWN BY JHLEE05	DATE 2007/01/22	TITLE 1.0 FFC BACKFLIP CONN. HOUSING ASSY 10P (BOTTOM CONTACT)				
			DRAFT WHERE APPLICABLE MUST REMAIN WITHIN DIMENSIONS	APPROVED BY YSOOKIM	DATE 2007/01/22	MOLEX MOLEX INCORPORATED		MATERIAL NO. 494561010	DOCUMENT NO. SD-49456-001	SHEET NO. 1 OF 3	
				SIZE A3	THIS DRAWING CONTAINS INFORMATION THAT IS PROPRIETARY TO MOLEX INCORPORATED AND SHOULD NOT BE USED WITHOUT WRITTEN PERMISSION						

LEAD-FREE

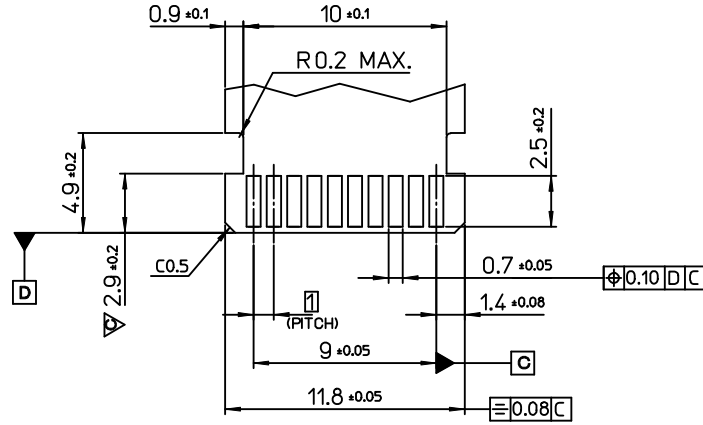
MOLEX CONFIDENTIAL



ISOMETRIC VIEW



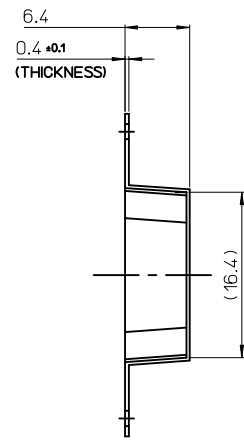
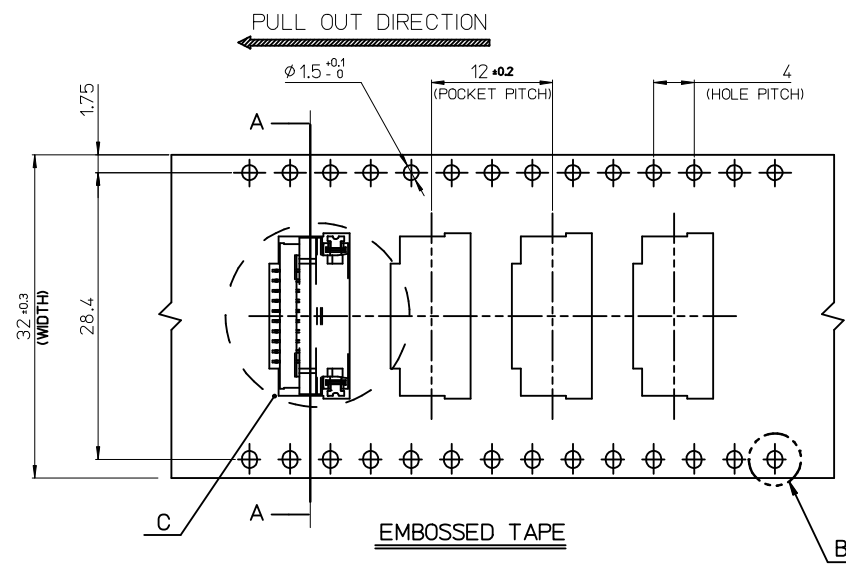
P.C. BOARD DIMENSION (RECOMMEND)



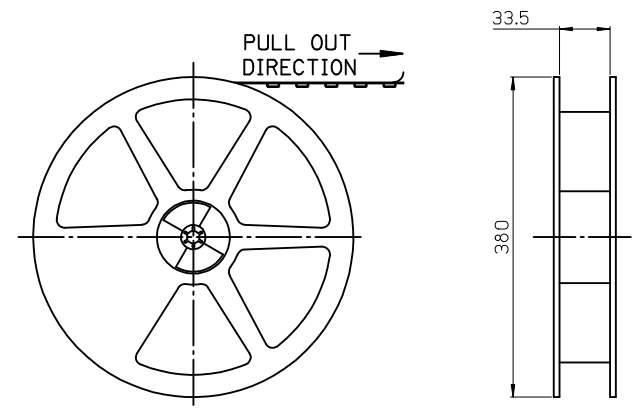
FPC/FFC DIMENSION (RECOMMEND)  
(FLIM THICKNESS = 0.3±0.05)

REVISED EC NO: KOR2010-0011 DRWN: HJEONG CHKD: APPR: YUNSIKIM	2009/07/24 2009/07/24 2009/07/24	DESCRIPTION B1	QUALITY SYMBOLS	GENERAL TOLERANCES (UNLESS SPECIFIED)		DIMENSION STYLE		SCALE	DESIGN UNITS	THIRD ANGLE PROJECTION	
			▽=0 ▽=0			MM ONLY		4:1	METRIC	TITLE 1.0 FFC BACKFLIP CONN. HOUSING ASSY 10P (BOTTOM CONTACT) MOLEX INCORPORATED	
				4 PLACES	± ---	± ---	DRAWN BY	DATE	TITLE		
				3 PLACES	± ---	± ---	CHECKED BY	DATE			
2 PLACES	± 0.25	± ---	1 PLACE	± 0.3	± ---	ANGULAR	± 1 °	APPROVED BY	DATE		
			DRAFT WHERE APPLICABLE MUST REMAIN WITHIN DIMENSIONS		MATERIAL NO.		DOCUMENT NO.		SHEET NO.		
					494561010		SD-49456-001		2 OF 3		
					THIS DRAWING CONTAINS INFORMATION THAT IS PROPRIETARY TO MOLEX INCORPORATED AND SHOULD NOT BE USED WITHOUT WRITTEN PERMISSION						

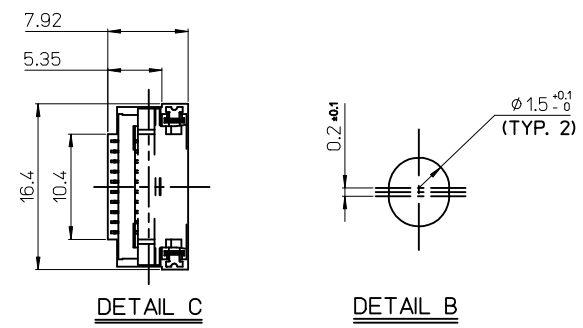
10 9 8 7 6 5 4 3 2 1



SECTION A-A



PLASTIC BOBBIN

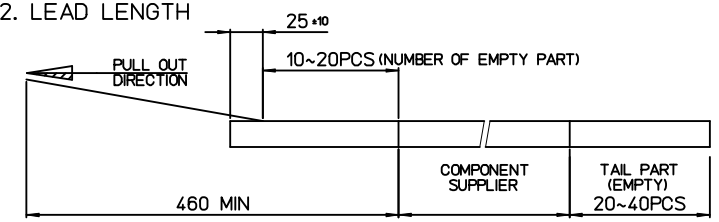


DETAIL C

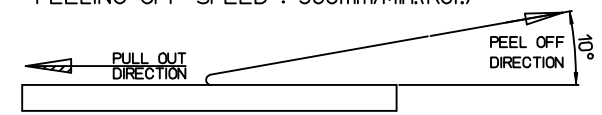
DETAIL B

NOTES

- 1. QUANTITY OF CONNECTORS : 1200PCS/REEL
- 2. LEAD LENGTH



- 3. PEELING OFF FORCE OF COVER TAPE : 0.1N~0.59N(10.2GF~60GF)  
(PEELING DIRECTION AS SHOW IN FOLLOW FIG.)  
PEELING OFF SPEED : 300mm/Min.(Ref.)



- 4. FLASH IN ANY PORTION SHOULD BE LESS THAN 0.20mm MAX.

494561017	494561010	32mm	49456-9910
MATERIAL NO.	CONNECTOR	TAPE WIDTH	EMBOSS TAPE
3	PLASTIC BOBBIN	HI P.S	WHITE
2	COVER TAPE	P.E.T	25.5mm
1	CARRIER (EMBOSED) TAPE	P.E.T	
NO.	DESCRIPTION	MATERIAL	REMARK

REVISED  
 EC NO: KOR2010-0011  
 DRWN:HJEONG 2009/07/24  
 CHKD:YSOOKIM 2009/07/24  
 APPR:YUNSIKKIM 2009/07/24

QUALITY SYMBOLS  
 ▽=0  
 ▽=0

GENERAL TOLERANCES (UNLESS SPECIFIED)	
mm	INCH
4 PLACES ± ---	± ---
3 PLACES ± ---	± ---
2 PLACES ± 0.25	± ---
1 PLACE ± 0.3	± ---
ANGULAR ± 1 °	
DRAFT WHERE APPLICABLE MUST REMAIN WITHIN DIMENSIONS	

DIMENSION STYLE MM ONLY	
DRAWN BY	DATE
JHLEE05	2007/01/22
CHECKED BY	DATE
KSKIM	2007/01/22
APPROVED BY	DATE
YSOOKIM	2007/01/22
MATERIAL NO.	494561010
SIZE	A3

SCALE 2:1	DESIGN UNITS METRIC	THIRD ANGLE PROJECTION
TITLE 1.0 FFC BACKFLIP CONN. HOUSING ASSY 10P (BOTTOM CONTACT)		
MOLEX INCORPORATED		
MATERIAL NO. 494561010	DOCUMENT NO. SD-49456-001	SHEET NO. 3 OF 3
THIS DRAWING CONTAINS INFORMATION THAT IS PROPRIETARY TO MOLEX INCORPORATED AND SHOULD NOT BE USED WITHOUT WRITTEN PERMISSION		

9 8 7 6 5 4 3 2 1