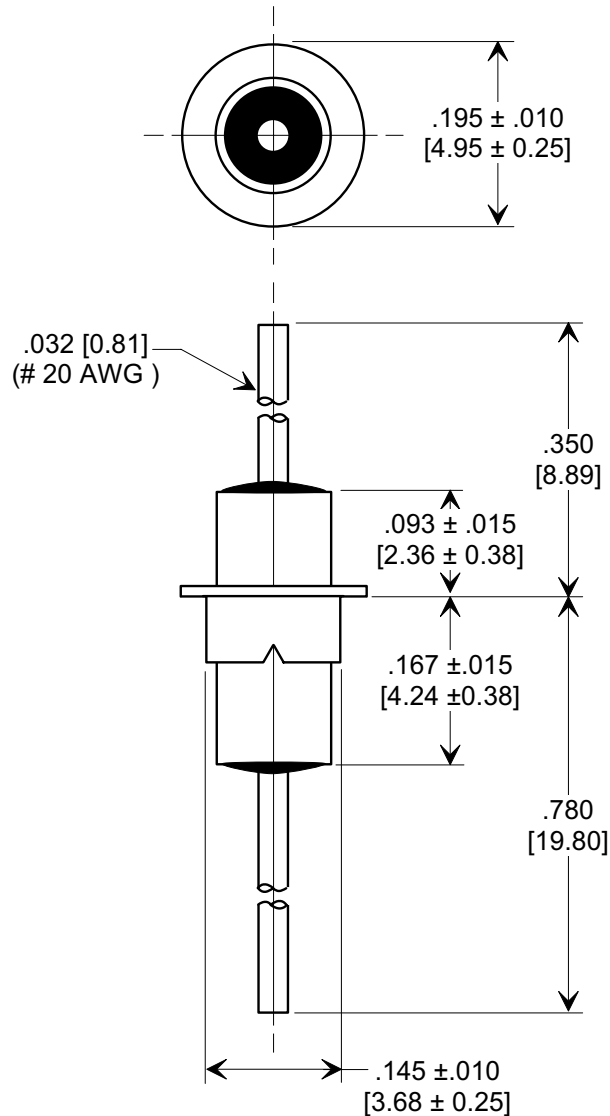
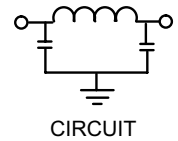
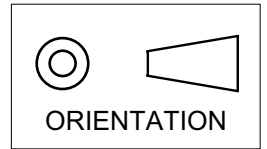


MARKETING SALES DRAWING
DIMENSIONS IN INCHES - DO NOT SCALE THIS DRAWING
DIMENSIONS IN METRIC - []

Electrical Testing
per Tusonix standard
test plans and Mil-Std-202
Test Methods.



NOTES:

- TUSONIX STANDARD PART NUMBER: 4101-003.
TUSONIX RoHS COMPLIANT PART NUMBER: 4101-003 LF.
CUSTOMER MUST SPECIFY STANDARD OR RoHS PART NUMBER WHEN ORDERING.
- LEAD FINISH: STANDARD PART #: 60/40 SOLDER PLATED. RoHS PART #: SILVER PLATED.
- EYELET FINISH: STANDARD PART #: 60/40 SOLDER PLATED. RoHS PART #: SILVER PLATED.
- PART MARKING: STANDARD PART: NO MARKING. RoHS PART: GREEN DOT IDENTIFIER.

MIN. CAP. (pF)	WORKING VOLTAGE (WVdc)		CURRENT Idc. (A)	I.R. MIN. @ 100 (VDC.)	DWV (VDC)	MINIMUM NO LOAD INSERTION LOSS (dB) AT 25°C PER MIL-STD-220			
	85°C	125°C				10 MHz	100 MHz	1 GHz	10 GHz
1750	250	125	10	10 G	500	5	50	60	60

X-2015 Rev-0	REVISION RECORD		TUSONIX TUCSON, ARIZONA	--TOLERANCES-- Unless Otherwise Specified		Title EYELET STYLE EMI FILTER	
	Original Release C.O. 2898	0		DECIMAL ± .031 [0.79]			
	RDN TO CMP FMT. S.M. 07-19-00	1		ANGLES ±		Drawn S.M. 07-19-00	Scale 5 X
	20000914-3-04 ADDED NOTES, DWV & IR. S.M. 06-13-05	2		20050610-3-02		Approved T.C. 07-19-00	A