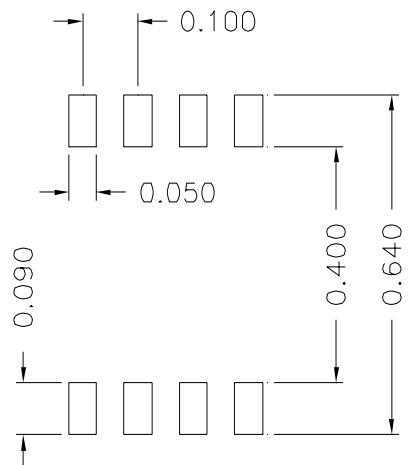
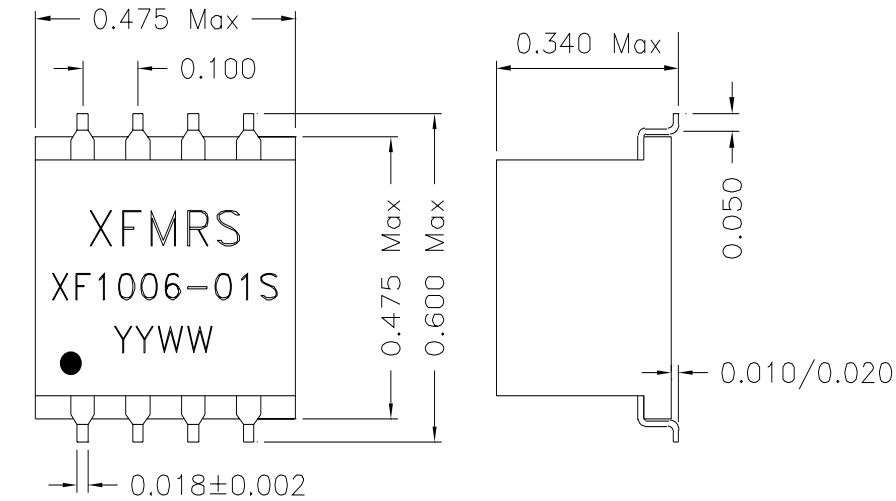
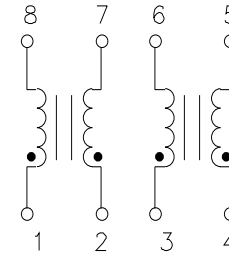


1. Dimensions:



SUGGESTED PAD LAYOUT

2. Schematic:



3. Electrical Specifications: @25°C

NUMBER of LINES: 4

Isolation Voltage: 500 Vrms

INDUCTANCE: 100uH Minimum @100KHz 50mV

DC Resistance: 0.60 Ohms Maximum

COMMON MODE ATTENUATION: (dB Typ)

1MHz 11dB

10MHz 18dB

50MHz 18dB

100MHz 17dB

300MHz 14dB

500MHz 9dB

1GHz 7dB

DOC. REV: A/1

XFMRS Inc	Title: COMMON MODE CHOKE	
	UNLESS OTHERWISE SPECIFIED	P/N: XF1006-01S
TOLERANCES: .xxx ±0.010	REV. A	DWN. 廖玉坤 Sep-23-99
Dimensions in Inch	CHK. 李清儿 Sep-23-99	
SCALE 3:1 SHT 1 OF 1	APP. Joe Huff	Sep-23-99