



TAI-SAW TECHNOLOGY CO., LTD.

No. 3, Industrial 2nd Rd., Ping-Chen Industrial District,
Taoyuan, 324, Taiwan, R.O.C.

TEL: 886-3-4690038 FAX: 886-3-4697532

E-mail: tstsales@mail.taisaw.com Web: www.taisaw.com

Approval Sheet For Product Specification

Issued Date: March, 13, 2003

Product Name: SAW Filter 1960MHz SMD 2.5X2.0 mm

TST Parts No.: TA0207A

Customer Parts No.: _____

Company: _____
Division: _____
Approved by : _____
Date: _____

Checked by: _____ Bob Chau

Approval by: _____ Francis Chen

Date: _____ 3,13,2003



TAI-SAW TECHNOLOGY CO., LTD.

No. 3, Industrial 2nd Rd., Ping-Chen Industrial District,
Taoyuan, 324, Taiwan, R.O.C.

TEL: 886-3-4690038 FAX: 886-3-4697532

E-mail: tstsales@mail.taisaw.com Web: www.taisaw.com

SAW Filter 1960 MHz for Mobile Communication

MODEL NO.: TA0207A

REV. NO.:2.0

A. MAXIMUM RATING:

1. Input Power Level: 10 dB_m
2. DC voltage: 0 V
3. Operating Temperature: -25°C to +75°C
4. Storage Temperature: -40°C to +85°C

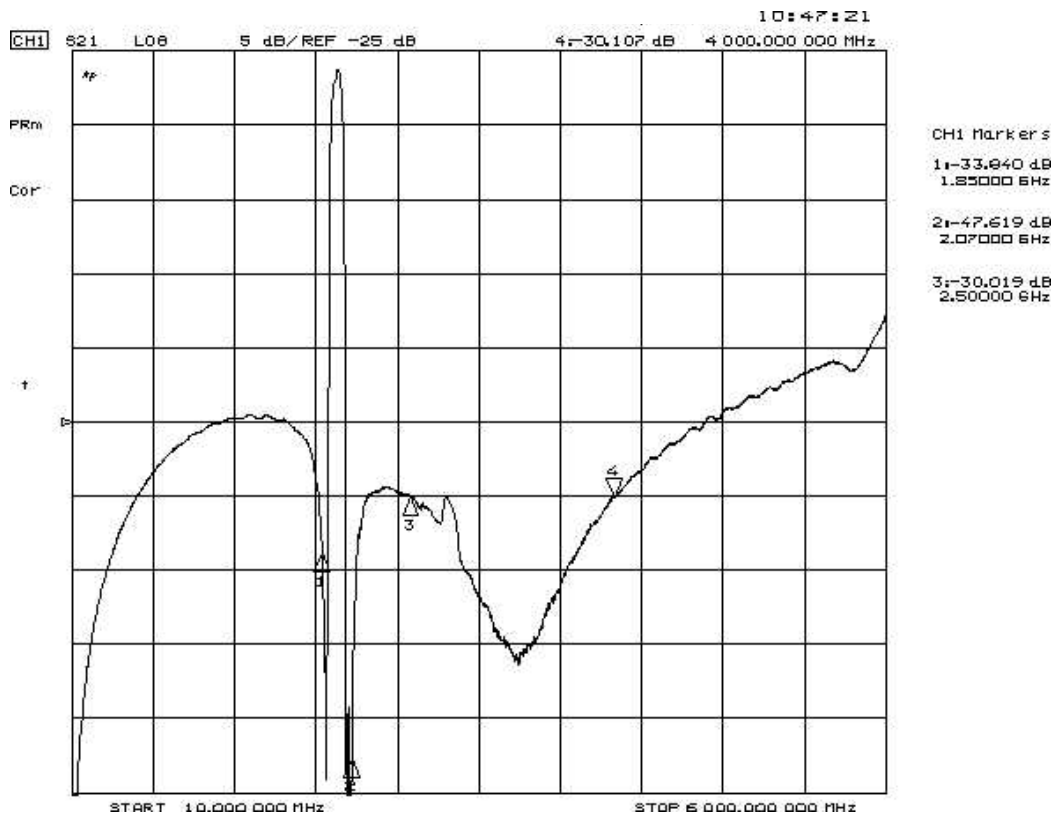
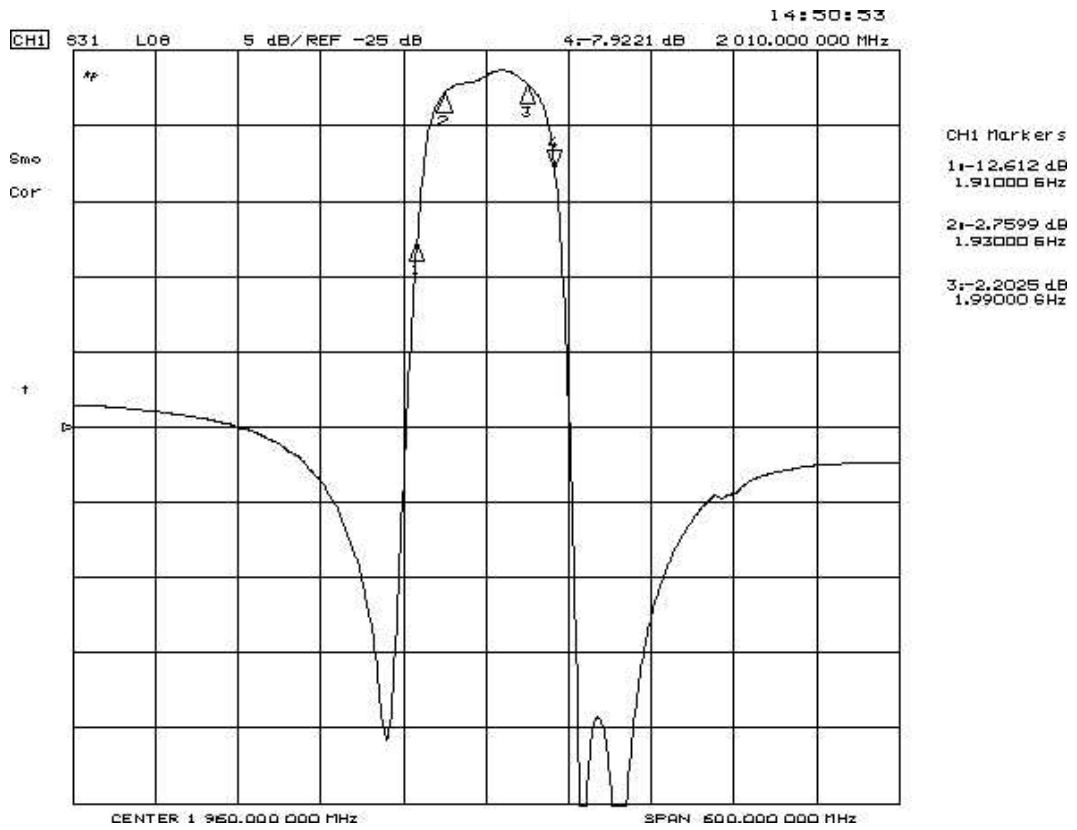
RoHS Compliant
 Lead free
 Lead-free soldering

B. ELECTRICAL CHARACTERISTICS:

Item	Min.	Typ.	Max.
Center frequency F_c (dB)	-	1960	-
Insertion loss within 1930 ~1990 MHz IL (dB)	-	2.7	3.3
Amplitude ripple (p-p) within 1930 ~ 1990 MHz (dB)	-	1.2	2.0
Attenuation (Reference level from 0 dB)			
D.C. ~ 1850 MHz (dB)	17.0	24.5	-
1850 ~ 1910 MHz (dB)	6.0	12.6	-
2010 ~ 2070 MHz (dB)	4.5	8.0	-
2070 ~ 2500 MHz (dB)	20.0	29.0	-
2500 ~ 4000 MHz (dB)	23.0	30.0	-
VSWR within 1930 ~1990 MHz	-	1.7	2.5
Source impedance Z_s (Ω)	-	50	-
Load impedance Z_L (Ω)	-	50	-

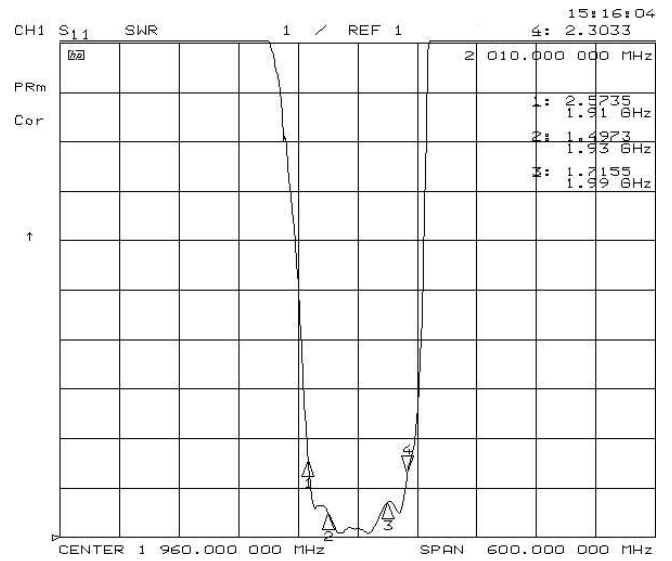
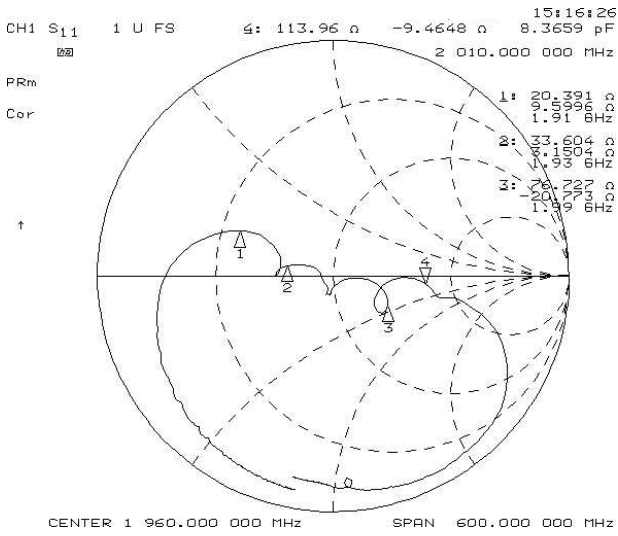
Note1. No matching network required for operation at 50 Ω

C. Frequency Characteristics : Transfer function

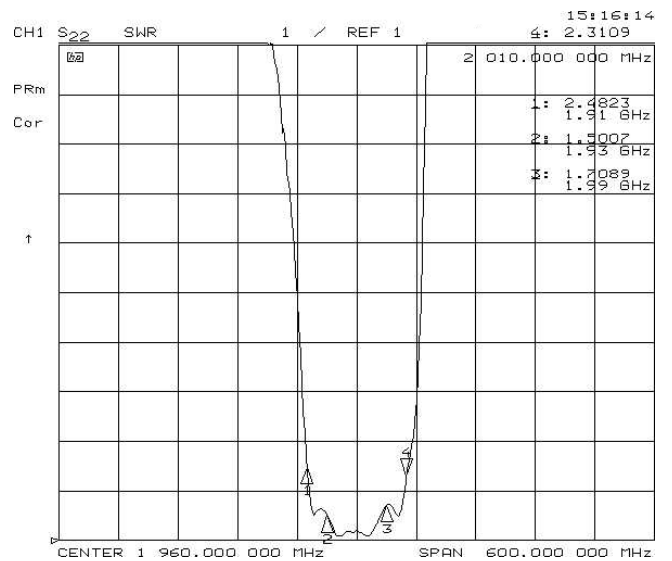
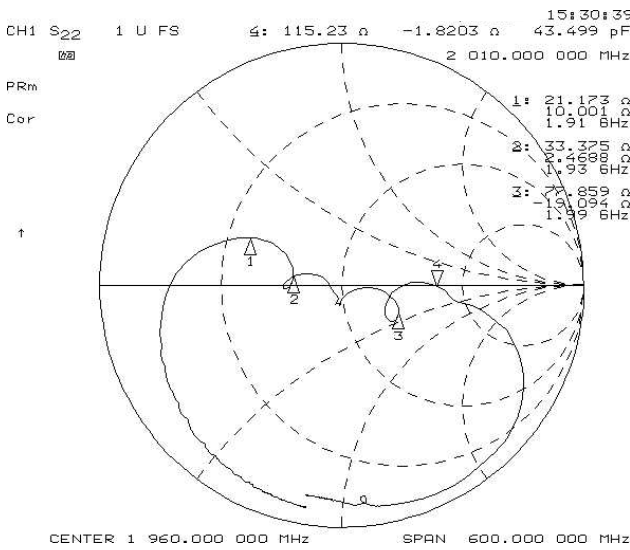


Reflections Functions :

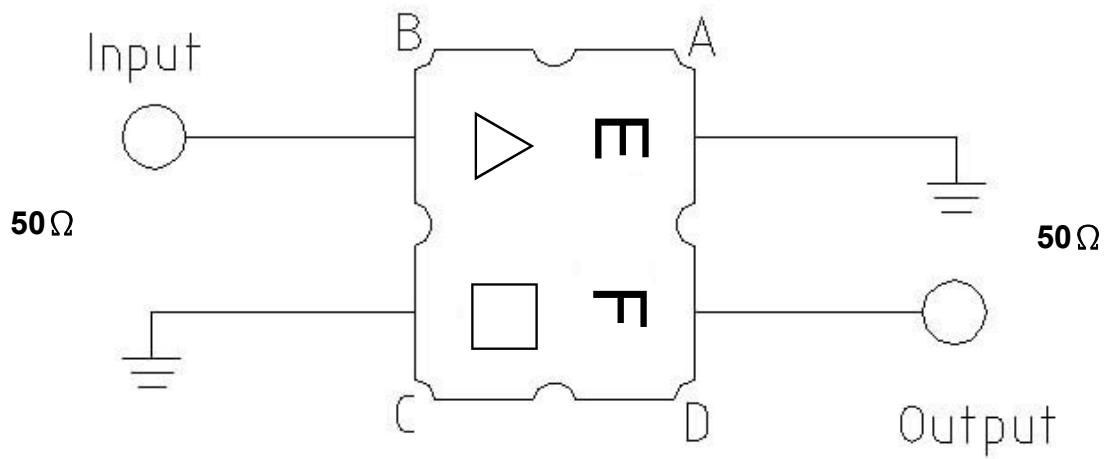
S11 VSWR



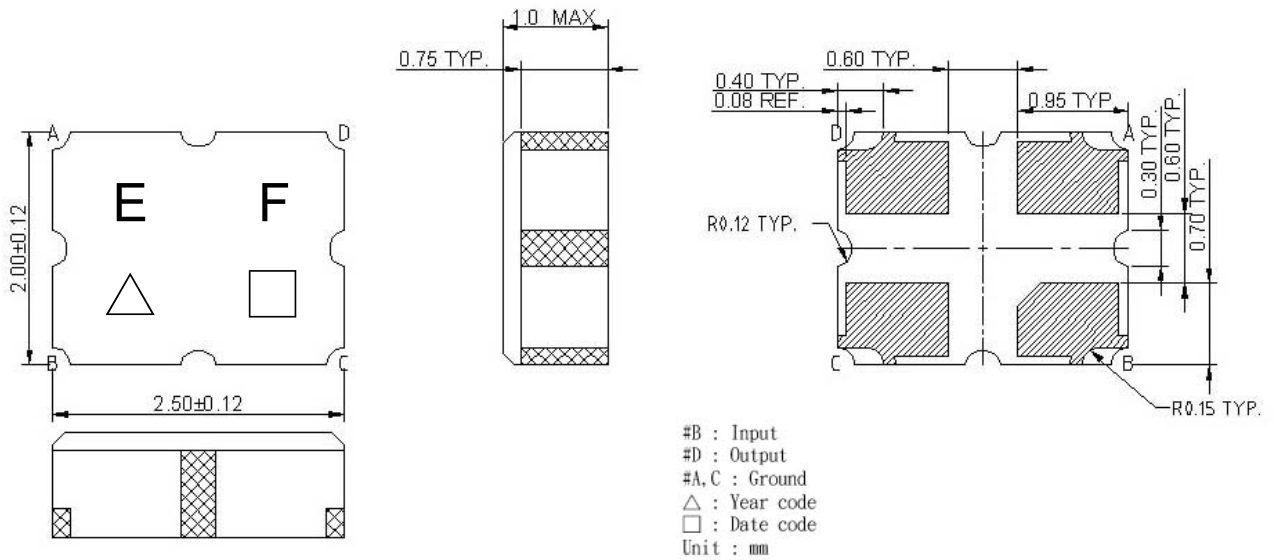
S22 VSWR



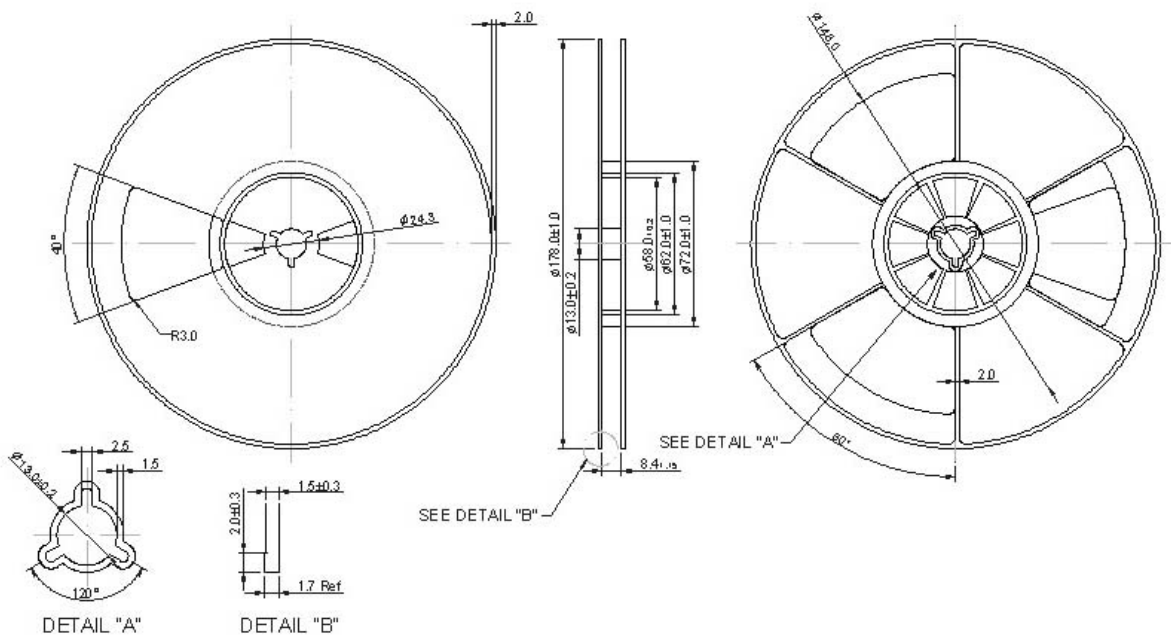
D. MEASUREMENT CIRCUIT:



E. OUTLINE DRAWING:



F. PACKING:
1. REEL DIMENSION



2. TAPE DIMENSION

