



**60 V Led Driver, 12 Channel, 40mA  
w/ High Speed Two Wire Interface & Daisy Chain**

**GENERAL DESCRIPTION**

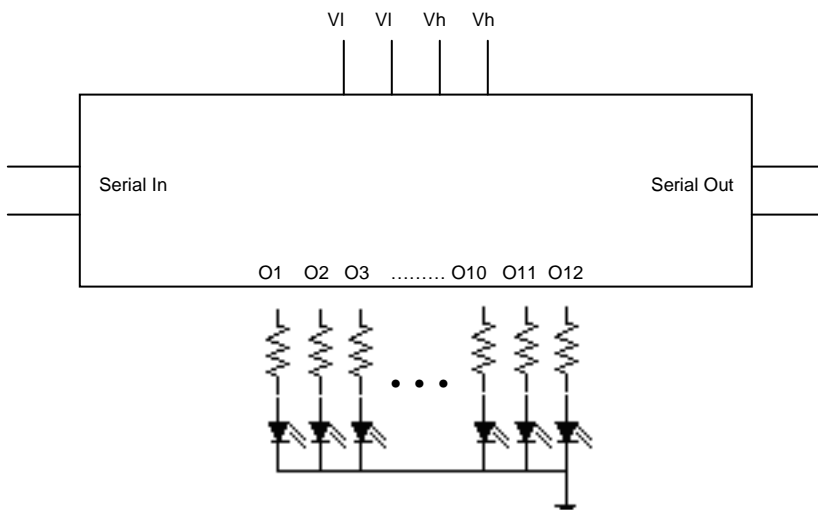
The LND8925 is a 12 channel LED driver featuring up to 60V high side connections at 0-40mA (average) per channel. Each channel is controlled by a high speed digital interface, allowing flexible grey scale control.

Utilizing a slim aspect ratio, the LND8925 is suitable for slim Tape Carrier Packaging (TCP) and Chip On Glass (COG) applications. A token structure, 8MHz, data bus combined with two global state bits enables a cascade design capable of high speed data loading with a minimized footprint.

The LND8925 is available in a slim 16.5mm x 2mm bumped die or TCP package. Other package options are available, please call factory for more information. The LND8925 is rated for a junction temperature of -40C to 150°C.

The LND8925 enables true cathode to ground connections due to its high side topology, while simultaneously allowing operating voltages up to 60V. This simplifies fanout and grounding requirements compared to other solutions.

**Block Diagram**



**FEATURES**

- Up to 12 high side LED drivers
- 40mA average current per Channel
- Combination row / column driver
- Up to 60V output capability:
  - High Side Drivers for Each Channel
  - Allows Cathode to Ground Topologies
  - Low Rdson per Channel
- Two Wire Digital Interface
  - Daisy chain to multiple LND8925s
  - 8MHz Clock Rate
  - Allows PWM Greyscale
- Slim Die Format (16.5mm x 2mm)
- Flip Chip on Flex Compatible or;
- Bumped Die

**APPLICATIONS**

- Large LED Displays
  - Score Boards
  - Color Jumbotron
  - Traffic Signs
  - Area Control Backlights
  - Light Pattern Displays for HBLEDs
  - Streaming Information Signs
- Transducer Driver
- Print Head Driver

**DIE IMAGE**

