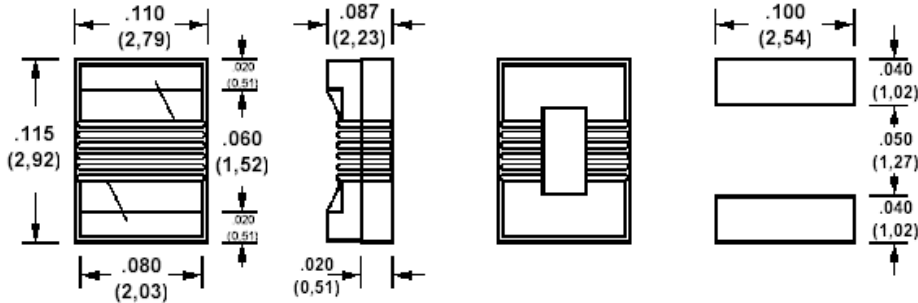
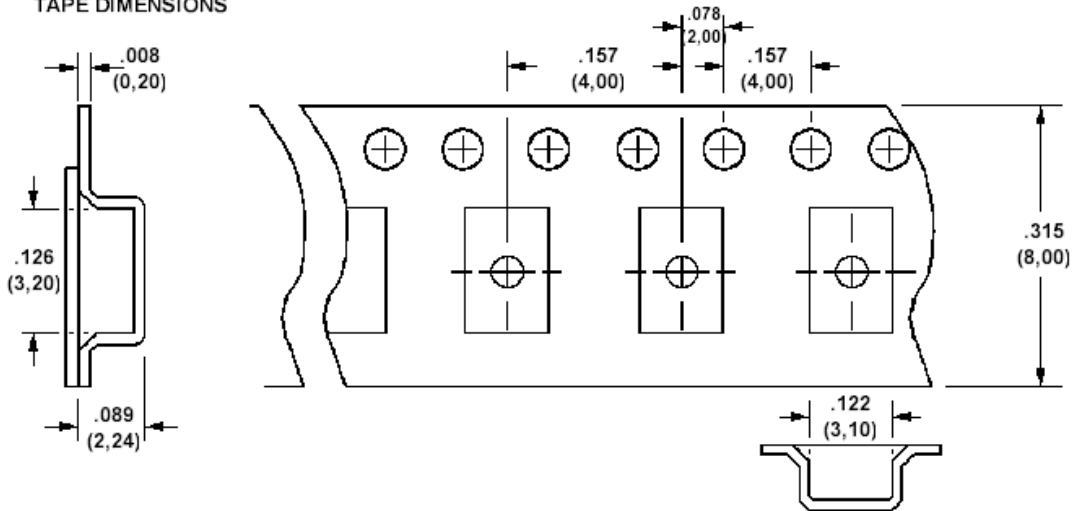


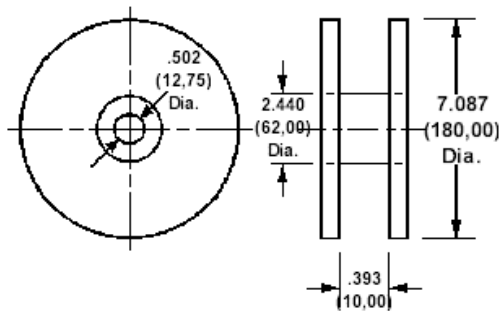
555-1008 Chip inductors, wire wound, surface mount, 1008 package, 10nH thru 4.7μH



TAPE DIMENSIONS



REEL DIMENSIONS



How to order code

555-1008-XXX-Y-ZZ

Basic Part No XXX = Inductance identifier, Y = tolerance, ZZ = packaging

Basic Part Number (XXX)	Inductance (nH)	Test Freq (MHz) L	Q (min)	Test Freq (MHz) Q	SRF (min) (MHz)	RDC (max) (W)	IDC (max) (mA)	
555-1008	-10N	10	50	50	500	4100	0.08	1000
	-12N	12	50	50	500	3300	0.09	1000
	-15N	15	50	50	500	2500	0.10	1000
	-18N	18	50	50	350	2500	0.11	1000
	-22N	22	50	55	350	2400	0.12	1000
	-27N	27	50	55	350	1600	0.13	1000
	-33N	33	50	60	350	1600	0.14	1000
	-39N	39	50	60	350	1500	0.15	1000
	-47N	47	50	65	350	1500	0.16	1000
	-56N	56	50	65	350	1300	0.18	1000
	-68N	68	50	65	350	1300	0.20	1000
	-82N	82	50	60	350	1000	0.22	1000
	-R10	100	25	60	350	1000	0.56	650
	-R12	120	25	60	350	950	0.63	650
	-R15	150	25	45	100	850	0.70	580
	-R18	180	25	45	100	750	0.77	620
	-R22	220	25	45	100	700	0.84	500
	-R27	270	25	45	100	600	0.91	500
	-R33	330	25	45	100	570	1.05	450
	-R39	390	25	45	100	500	1.12	470
	-R47	470	25	45	100	450	1.19	470
	-R56	560	25	45	100	415	1.33	400
	-R62	620	25	45	100	375	1.40	300
	-R68	680	25	45	100	375	1.47	400
	-R75	750	25	45	100	360	1.54	360
	-R82	820	25	45	100	350	1.61	400
	-R91	910	25	45	50	320	1.68	380
	-1R0	1000	25	35	50	290	1.75	370
	-1R2	1200	7.9	35	50	250	2.00	310
	-1R5	1500	7.9	28	50	200	2.30	330
	-1R8	1800	7.9	28	50	160	2.60	300
	-2R2	2200	7.9	28	50	160	2.80	280
-2R7	2700	7.9	22	25	150	3.20	290	
-3R3	3300	7.9	22	25	110	3.40	290	
-3R9	3900	7.9	20	25	100	3.60	260	
-4R7	4700	7.9	20	25	90	4.00	260	

TOLERANCE (Y)

Tolerance Code (Y)	Inductance Tolerance	Notes
F	± 1%	Made to order
G	± 2%	
J	± 5%	
K	± 10%	Standard
M	± 20%	Made to order

PACKAGING (ZZ)

-00	Loose Piece
-36	Taped and Reeled

MATERIAL SPECIFICATIONS

Base Material	Ceramic
Metallised pad	Super adhesion Molybdenum/Manganese with Gold over plating
Operating Temperature	-55°C to 125°C
Storage Temperature	-55°C to 100°C