



SERIES 300 SWITCHES

ROCKER AND PADDLE SWITCHES - MINIATURE



FEATURES & BENEFITS

- ▶ Multiple rocker & paddle options
- ▶ Up to 4 poles
- ▶ Multiple termination options
- ▶ Snap-in panel mount option available

APPLICATIONS/MARKETS

- ▶ Telecommunications
- ▶ Instrumentation
- ▶ Test equipment
- ▶ Networking
- ▶ Computer peripherals

SPECIFICATIONS

Contact Rating:	Dependent upon contact material
Life Expectancy:	50,000 make-and-break cycles at full load
Contact Resistance:	10 mΩ max. initial @ 2-4 VDC 100 mA for both silver and gold plated contacts
Insulation Resistance:	1,000 MΩ min.
Dielectric Strength:	1,000 V RMS @ sea level
Operating Temperature:	-30° C to 85° C

MATERIALS

Case:	Diallyl Phthalate (DAP)
Rockers:	Nylon
Bushing:	Brass, nickel plated
Housing:	Stainless steel
Terminal/Switch Support:	Brass, steel, electrotin plated
Contacts/Terminals:	Silver or gold plated copper alloy



HOW TO ORDER

SERIES 300	MODEL NO.	ACTUATOR	ACTUATOR ** COLOR	TERMINATION	CONTACT MATERIAL	SEAL E	FRAME ** COLOR
	SP1 SP2 SP3 SP4 SP5 DP1 DP2 DP3 DP4 DP5 DP6 DP7 DP8 3P1 3P2 3P3 3P4 3P5 4P1 4P2 4P3 4P4 4P5 4P6	<u>Panel Mount:</u> R1 R2 R3 R4 R6* R7* R8* R9* R11 R16 *Snap in panel mount	NONE = Black WHT = White RED = Red YEL = Yellow GRY = Gray PUR = Purple **Contact E-Switch for additional colors	M1 M3 M5	Q = Silver R = Gold	E = Epoxy Sealed at Base of Terminal	(R6, R7 Only) BLK = Black WHT = White RED = Red YEL = Yellow GRY = Gray PUR = Purple **Contact E-Switch for additional colors

(See Above Model No. Options)

P.C. Mount:
J1
J2
J3
J4
J5
J6

BLK = Black
WHT = White
RED = Red
YEL = Yellow
GRY = Gray
PUR = Purple

M2
M6
M7
VS2
VS3
VS4
VS5
M61
VS21

Q = Silver
R = Gold

E = Epoxy Sealed at Base of Terminal



Example Ordering Number

300-SP1-R6-RED-M1-R-E-RED

Specifications subject to change without notice.

TACT SWITCHES

NAVIGATION SWITCHES

PUSHBUTTON SWITCHES

TOGGLE SWITCHES

ROCKER SWITCHES

SLIDE SWITCHES

SNAP-ACTION SWITCHES

DIP SWITCHES

KEYLOCK SWITCHES

ROTARY SWITCHES

DETECTOR SWITCHES

CAP OPTIONS



SERIES 300 SWITCHES

ROCKER AND PADDLE SWITCHES - MINIATURE

TACT SWITCHES

NAVIGATION SWITCHES

PUSHBUTTON SWITCHES

TOGGLE SWITCHES

ROCKER SWITCHES

SLIDE SWITCHES

SNAP-ACTION SWITCHES

DIP SWITCHES

KEYLOCK SWITCHES

ROTARY SWITCHES

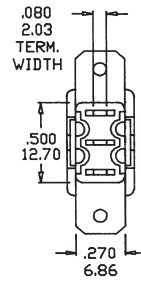
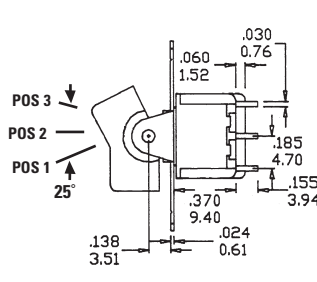
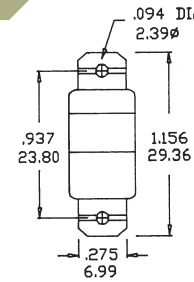
DETECTOR SWITCHES

CAP OPTIONS

SPDT



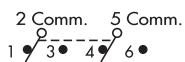
SCHMATIC



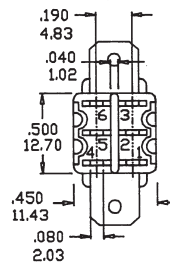
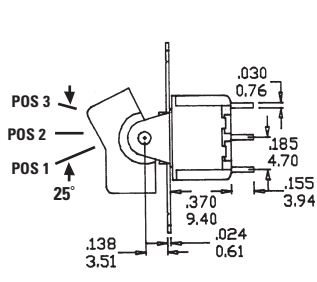
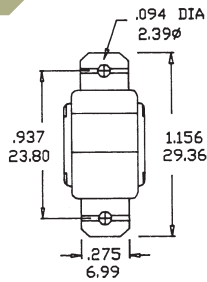
Model No.	POS 1	POS 2	POS 3
SP-1	ON	NONE	ON
SP-2	ON	NONE	(ON)
SP-3	ON	OFF	ON
SP-4	(ON)	OFF	(ON)
SP-5	ON	OFF	(ON)
Term. Comm.	2-3	OPEN	2-1

() = Momentary

DPDT



SCHMATIC



Model No.	POS 1	POS 2	POS 3
DP-1	ON	NONE	ON
DP-2	ON	NONE	(ON)
DP-3	ON	OFF	ON
DP-4	(ON)	OFF	(ON)
DP-5	ON	OFF	(ON)
DP-7	ON	ON	(ON)
DP-8	(ON)	ON	(ON)
Term. Comm.	2-3, 5-6	OPEN	2-1, 5-4

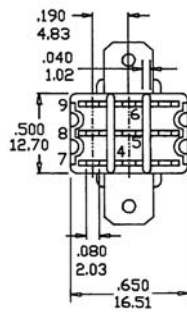
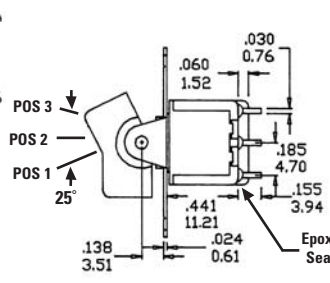
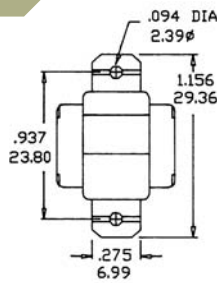
DP-6	ON	ON	ON
Term. Comm.	2-3, 5-6	2-3, 5-4	2-1, 5-4

() = Momentary

3PDT



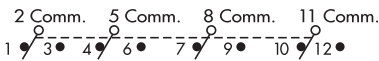
SCHMATIC



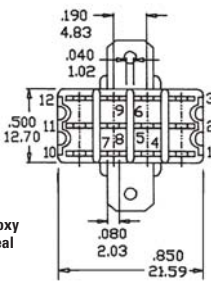
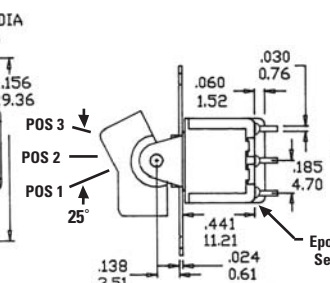
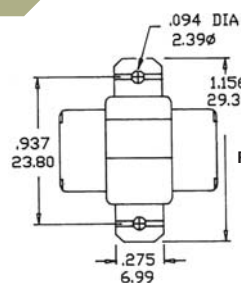
Model No.	POS 1	POS 2	POS 3
3P-1	ON	NONE	ON
3P-2	ON	NONE	(ON)
3P-3	ON	OFF	ON
3P-4	(ON)	OFF	(ON)
3P-5	ON	OFF	(ON)
Term. Comm.	2-3, 5-6, 8-9	OPEN	2-1, 5-4, 8-7

() = Momentary

4PDT



SCHMATIC



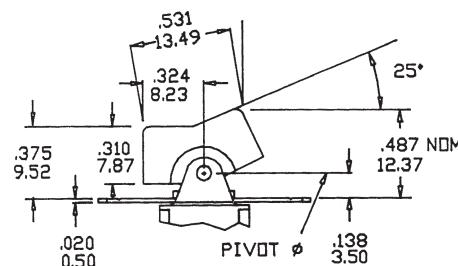
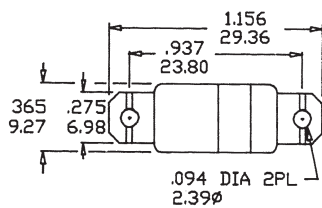
Model No.	POS 1	POS 2	POS 3
4P-1	ON	NONE	ON
4P-2	ON	NONE	(ON)
4P-3	ON	OFF	ON
4P-4	(ON)	OFF	(ON)
4P-5	ON	OFF	(ON)
Term. Comm.	2-3, 5-6, 8-9, 11-12	OPEN	2-1, 5-4, 8-7, 11-10
4P-6	ON	ON	ON
Term. Comm.	2-3, 5-6, 8-9, 11-12	2-3, 5-4, 8-9, 11-10	2-1, 5-4, 8-7, 11-10

() = Momentary

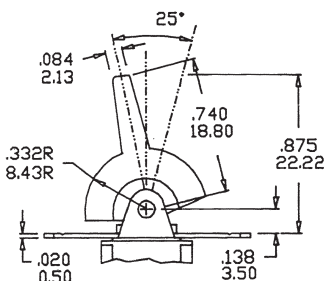
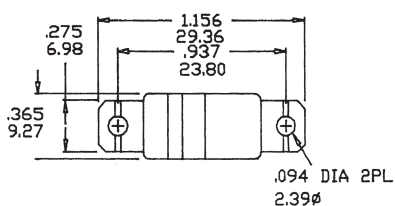


ACTUATOR OPTIONS – PANEL MOUNT

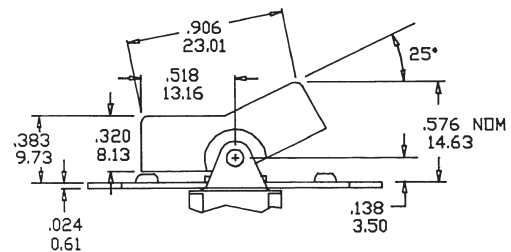
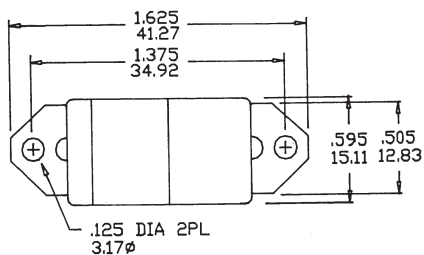
R1



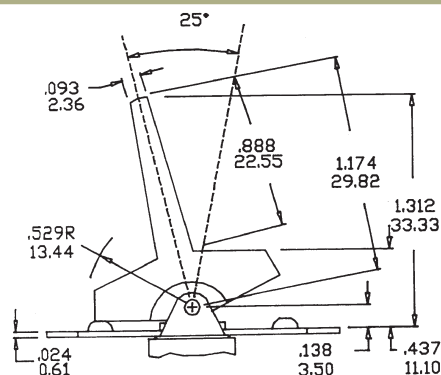
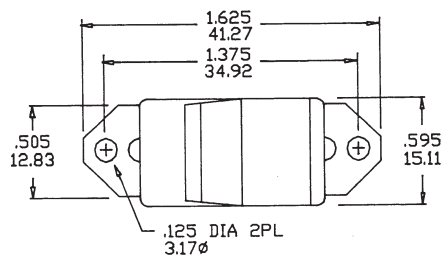
R2



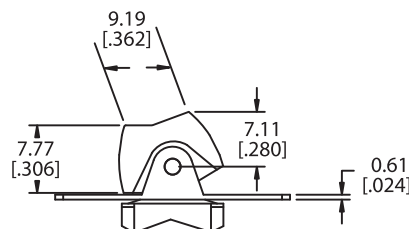
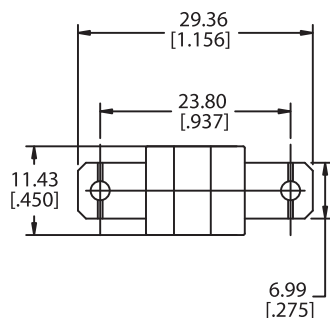
R3



R4



R11



TACT SWITCHES

NAVIGATION SWITCHES

PUSHBUTTON SWITCHES

TOGGLE SWITCHES

ROCKER SWITCHES

SLIDE SWITCHES

SNAP-ACTION SWITCHES

DIP SWITCHES

KEYLOCK SWITCHES

ROTARY SWITCHES

DETECTOR SWITCHES

CAP OPTIONS



SERIES 300 SWITCHES

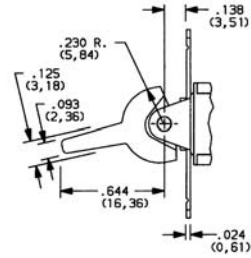
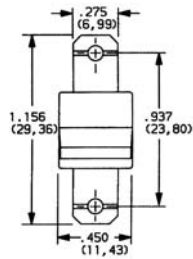
ROCKER AND PADDLE SWITCHES - MINIATURE

TACT SWITCHES

NAVIGATION SWITCHES

PUSHBUTTON SWITCHES

R16

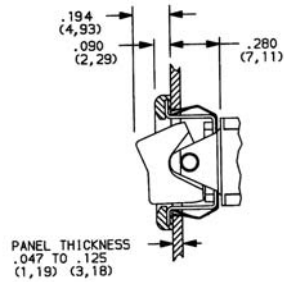
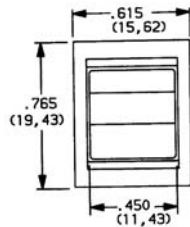


ACTUATOR OPTIONS – SNAP-IN FRONT MOUNT

TOGGLE SWITCHES

ROCKER SWITCHES

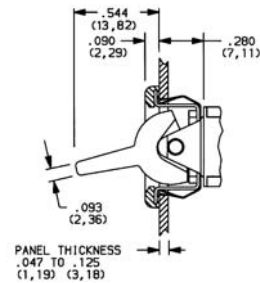
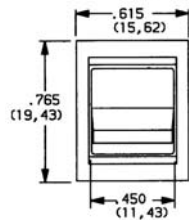
R6



SLIDE SWITCHES

SNAP-ACTION SWITCHES

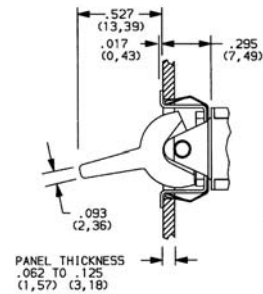
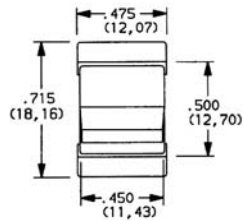
R7



DIP SWITCHES

KEYLOCK SWITCHES

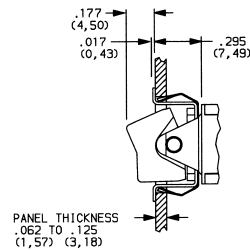
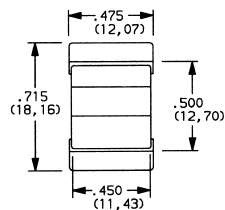
R8



ROTARY SWITCHES

DETECTOR SWITCHES

R9

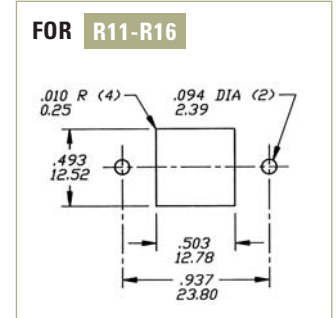
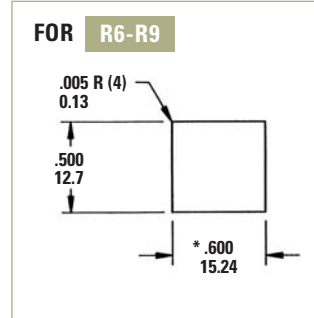
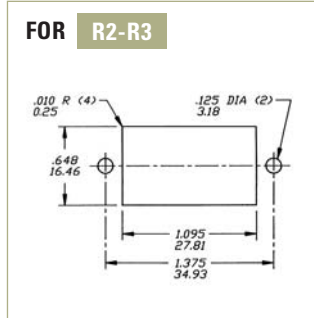
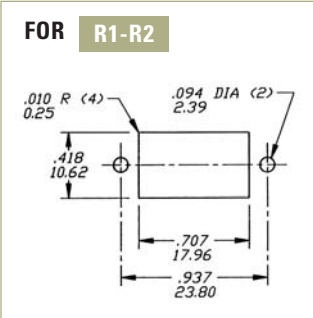


CAP OPTIONS

Actuator & Frame Colors:

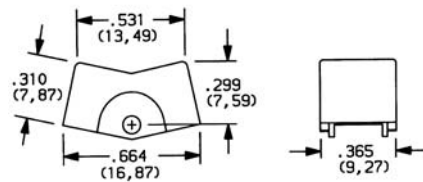
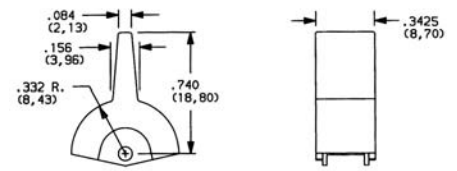
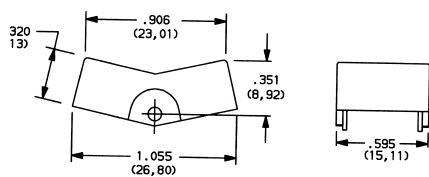
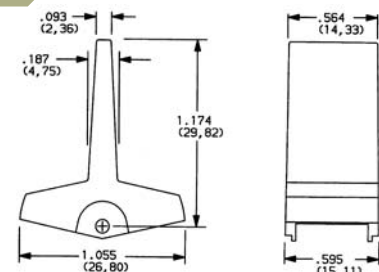
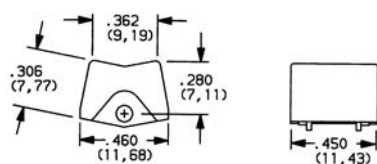
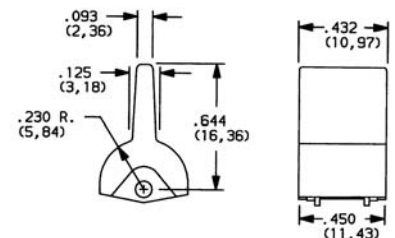
Black, White, Red

Consult E-Switch for other colors and custom actuator marking.

RECOMMENDED PANEL MOUNTING


* For R8 and R9: Increase this dim. to .620/.625 (15.75/15.88) for .091/.125 (2.31/3.18) thk. panels.

* For R6 and R7: Increase this dim. to .620/.625 (15.75/15.88) for .060/.125 (1.52/3.18) thk. panels.

ACTUATOR OPTIONS – P.C. MOUNT
J1

J2

J3

J4

J5

J6

Actuator & Frame Colors:

Black, White, Red

Consult E-Switch for other colors and custom actuator marking.



SERIES 300 SWITCHES

ROCKER AND PADDLE SWITCHES - MINIATURE

TACT SWITCHES

NAVIGATION SWITCHES

PUSHBUTTON SWITCHES

TOGGLE SWITCHES

ROCKER SWITCHES

SLIDE SWITCHES

SNAP-ACTION SWITCHES

DIP SWITCHES

KEYLOCK SWITCHES

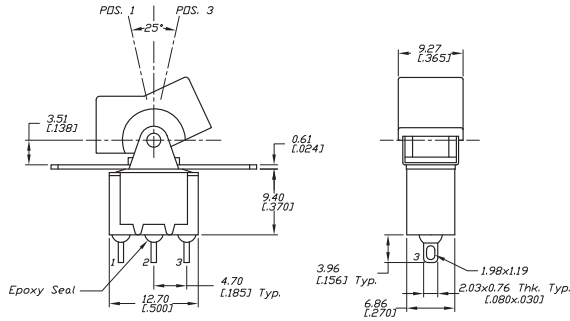
ROTARY SWITCHES

DETECTOR SWITCHES

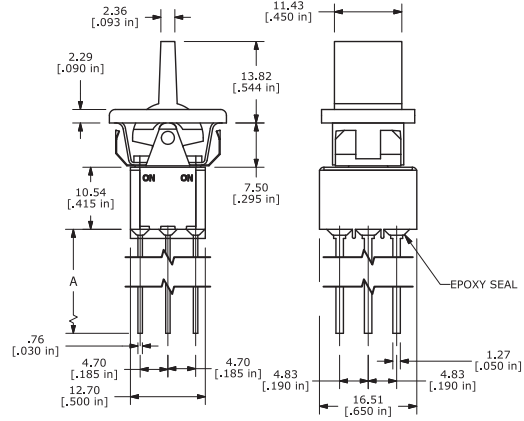
CAP OPTIONS

TERMINATION OPTIONS – PANEL MOUNT

M1 STD

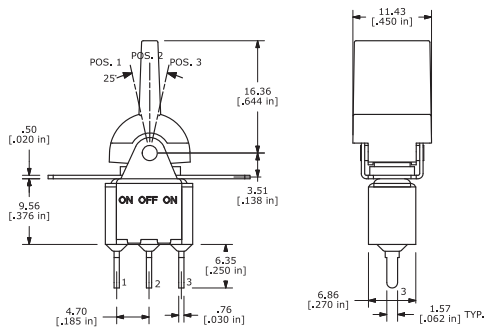


M5



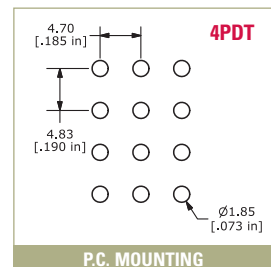
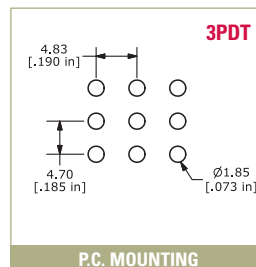
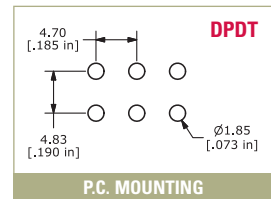
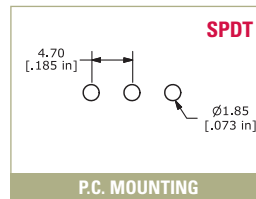
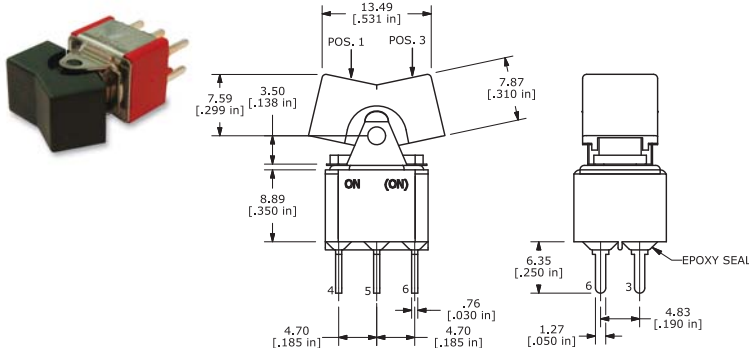
Option Code	Dim. 'A'
M51	.750 (19.05)
M52	.964 (24.48)
M53	.425 (10.80)
M54	1.062 (26.97)

M3 QUICK CONNECT



TERMINATION OPTIONS – P.C. MOUNT

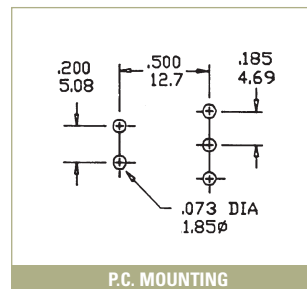
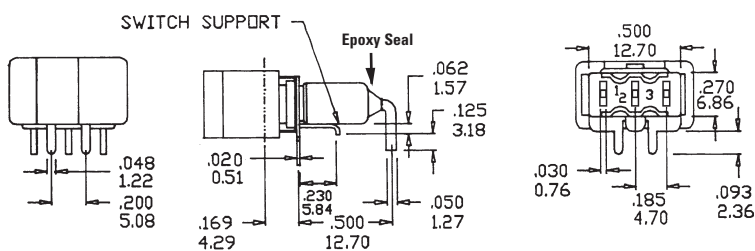
M2





M6

SPST
Shown with J1
Actuator



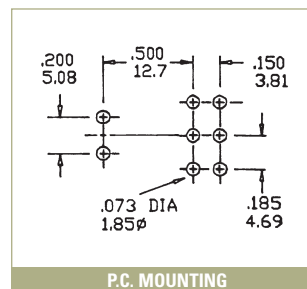
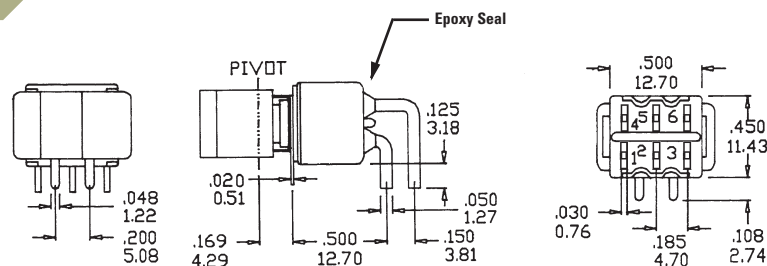
TACT
SWITCHES

NAVIGATION
SWITCHES

PUSHBUTTON
SWITCHES

M6

DPDT



TOGGLE
SWITCHES

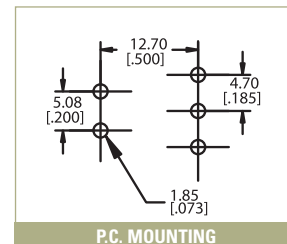
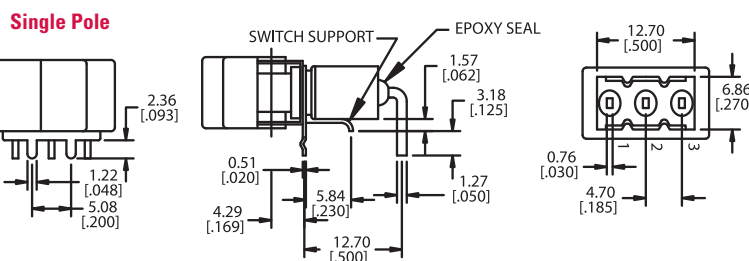
ROCKER
SWITCHES

SLIDE
SWITCHES

M61

WITH P.C. BOARD
RETENTION BRACKET

SPST



SNAP-ACTION
SWITCHES

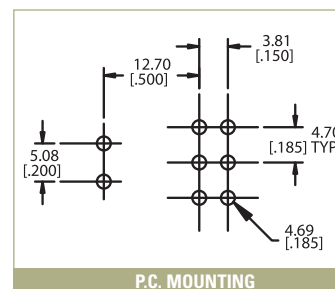
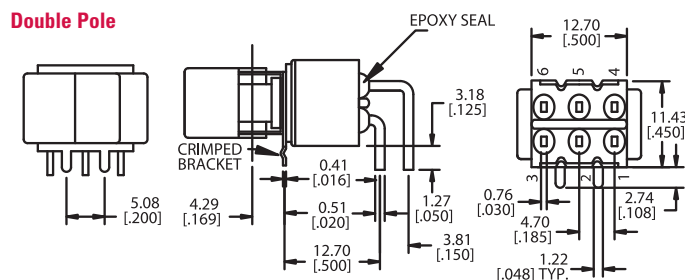
DIP
SWITCHES

KEYLOCK
SWITCHES

M61

WITH P.C. BOARD
RETENTION BRACKET

DPDT



ROTARY
SWITCHES

DETECTOR
SWITCHES

CAP
OPTIONS



SERIES 300 SWITCHES

ROCKER AND PADDLE SWITCHES - MINIATURE

TACT SWITCHES

NAVIGATION SWITCHES

PUSHBUTTON SWITCHES

TOGGLE SWITCHES

ROCKER SWITCHES

SLIDE SWITCHES

SNAP-ACTION SWITCHES

DIP SWITCHES

KEYLOCK SWITCHES

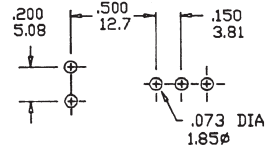
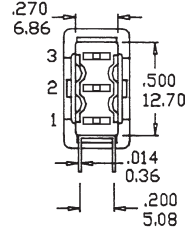
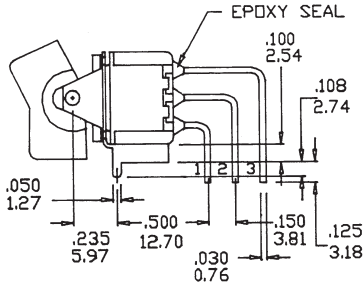
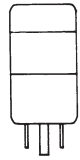
ROTARY SWITCHES

DETECTOR SWITCHES

CAP OPTIONS

M7

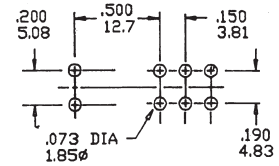
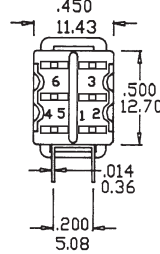
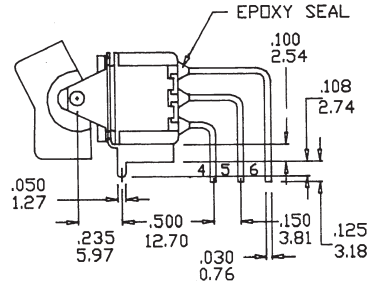
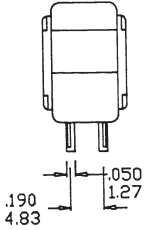
SPDT



P.C. MOUNTING

M7

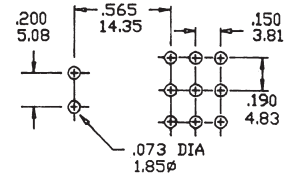
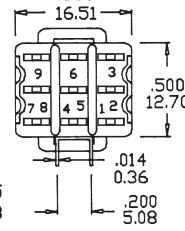
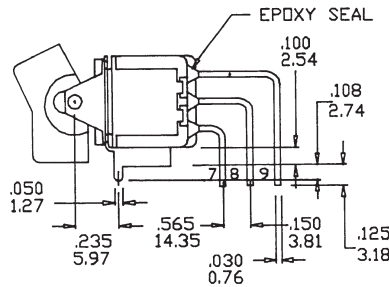
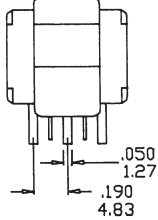
DPDT



P.C. MOUNTING

M7

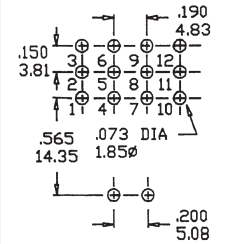
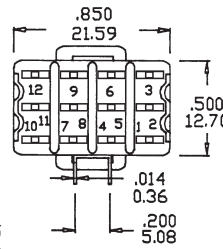
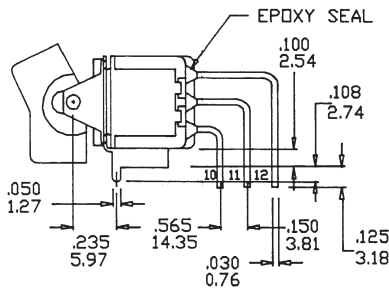
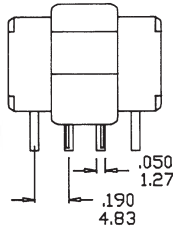
3PDT



P.C. MOUNTING

M7

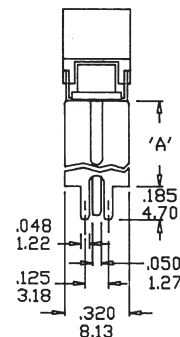
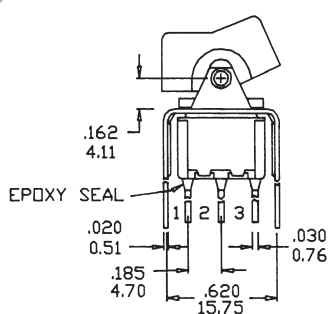
4PDT



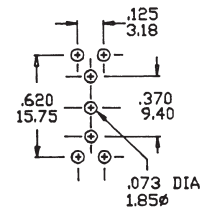
P.C. MOUNTING

VS2-VS3

SPDT



Option Code	Dim. 'A'
VS2	.460 (11.68)
VS3	.630 (16.00)

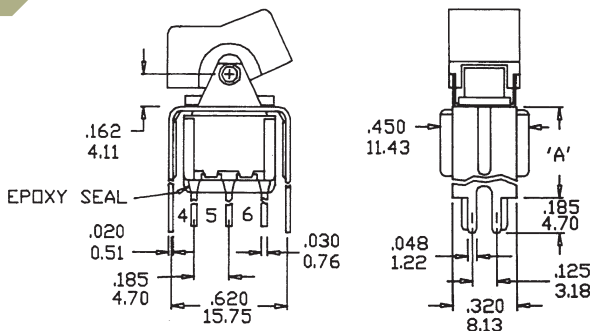


P.C. MOUNTING

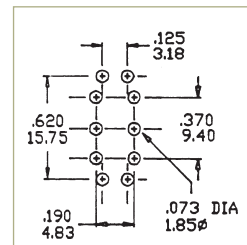


VS2-VS3

DPDT



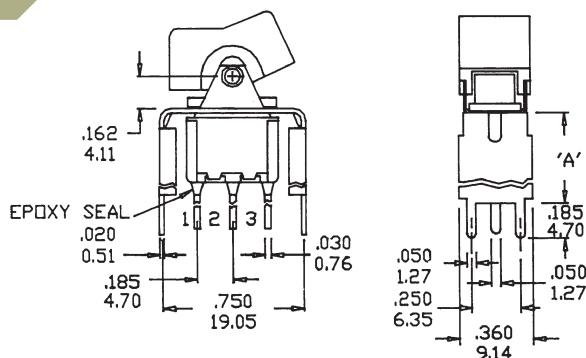
Option Code	Dim. 'A'
VS2	.460 (11.68)
VS3	.630 (16.00)



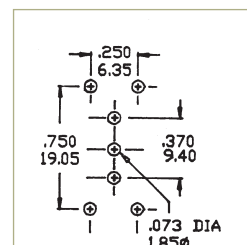
P.C. MOUNTING

VS4-VS5

SPDT



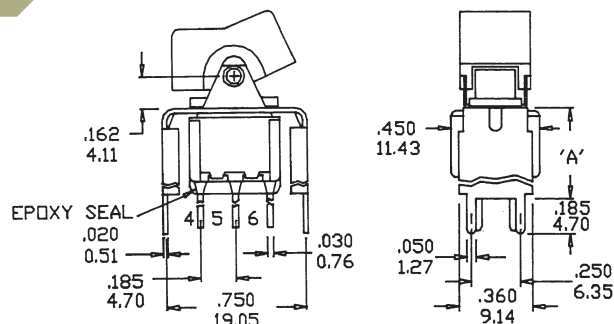
Option Code	Dim. 'A'
VS4	.460 (11.68)
VS5	.630 (16.00)



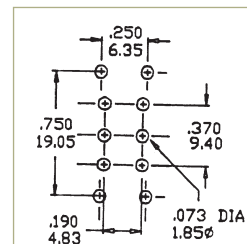
P.C. MOUNTING

VS5

DPDT



Option Code	Dim. 'A'
VS5	.630 (16.00)



P.C. MOUNTING

CONTACT MATERIAL OPTIONS

Q

Fixed Terminal:	Silver plated copper alloy
Moving Contact:	Silver plated copper alloy
Rating:	5 Amps with resistive load @ 120VAC or 28VDC; 2 Amps with resistive load @ 250VAC

R

Fixed Terminal:	Copper alloy with gold plate over nickel plate
Moving Contact:	Copper alloy with gold plate over nickel plate
Rating:	0.4 Volt-Amps (VA) max. @ 20V max. (AC or DC)