

FEATURES AND SPECIFICATIONS

Features and Benefits

- Polarized D-shaped leaf-contact connector
- Metal retention clips for mechanical hold down before and after processing
- Low profile—12.50mm (.492") stack height for parallel board packaging
- Meets VESA standards for advanced video and graphics cards (68 and 80 circuits)
- Surface Mount Compatible

Reference Information

Product Specification: PS-71660

Packaging: Tray

UL File No.: E29179

CSA File No.: LR19980-239A

Mates With: [71660](#) and [87552](#)

Designed In: Inches

Electrical

Voltage: 30V

Current: 1.0A

Contact Resistance: 20mΩ max.

Dielectric Withstanding Voltage: 500V AC

Insulation Resistance: 100 MΩ min.

Mechanical

Contact Retention to Housing: 500g min.

Mating Force: 90g max.

Unmating Force: 15g min.

Normal Force: 90g

Durability: 500 cycles min.

Physical

Housing: High-temperature thermoplastic, UL 94V-0


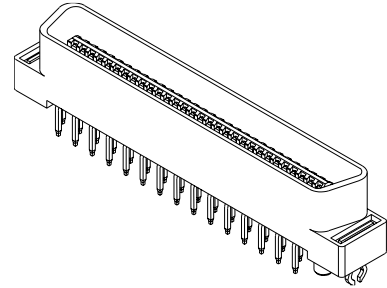
Retention Clip: Copper Alloy

Contact: Copper Alloy

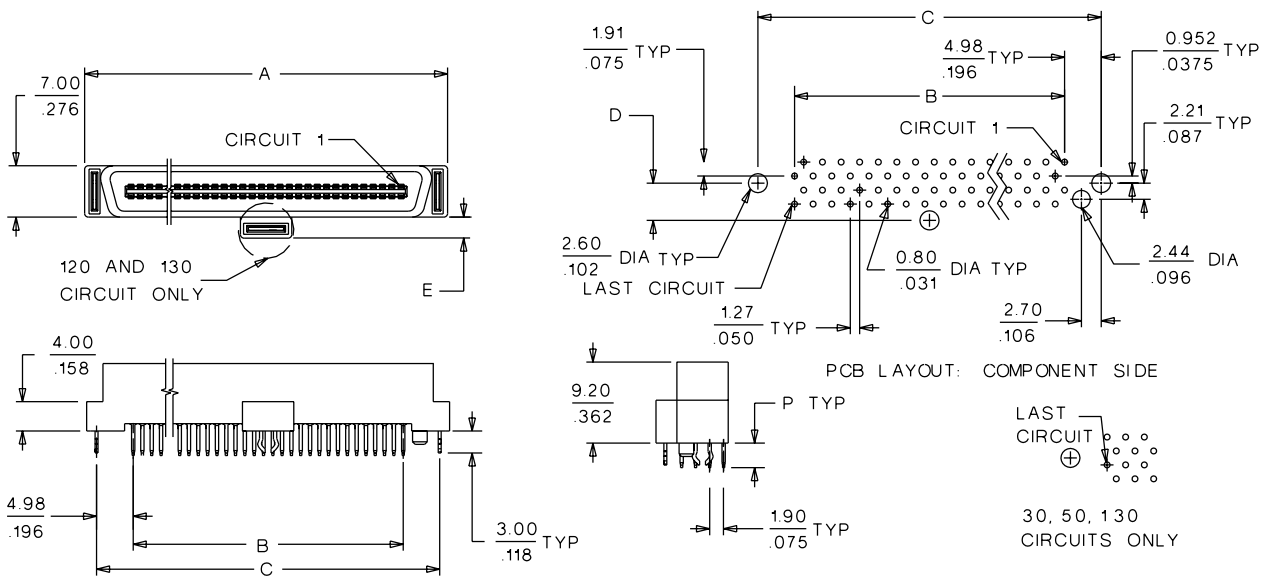
Plating: 30μ" min. Gold over Nickel in contact area,

100μ" min. Tin/Lead over Nickel on tails

Operating Temperature: -40 to +105°C


1.27mm (.050") Pitch
EBBI™ 50D
Plug
71661**Vertical**

CATALOG DRAWING (FOR REFERENCE ONLY)

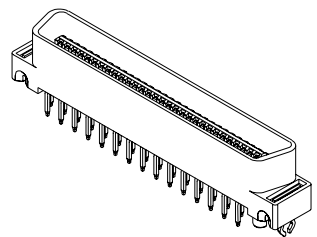
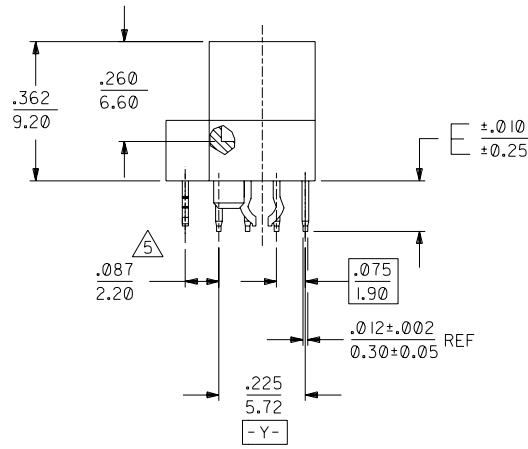
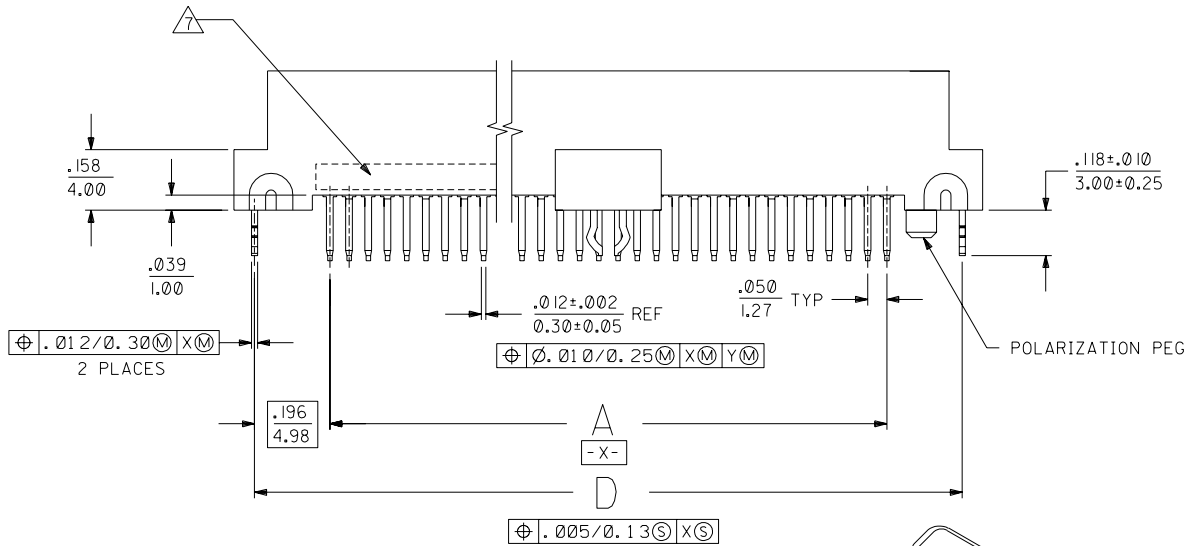
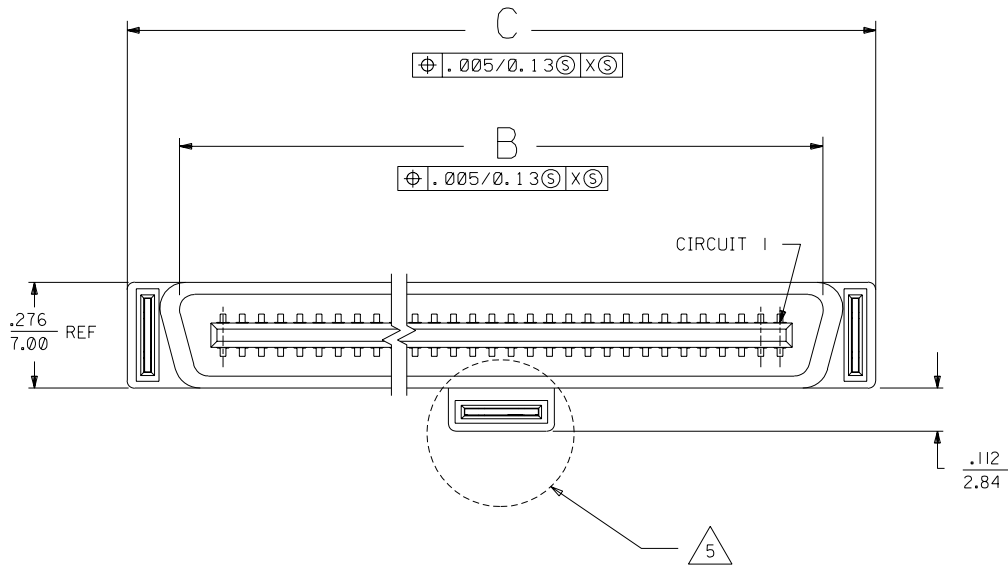


ORDERING INFORMATION AND DIMENSIONS

Circuits	Order No.		Dimension				
	Tail Length (Dim. P) 3.40mm (.134")	Tail Length (Dim. P) 2.79mm (.110")	A	B	C	D	E
30	15-92-2030	15-92-2430	30.45 (1.199)	17.78 (.700)	27.75 (1.092)		
40	15-92-2040	15-92-2440	36.80 (1.449)	24.13 (.950)	34.10 (1.342)		
50	15-92-2050	15-92-2450	43.15 (1.699)	30.48 (1.200)	40.45 (1.592)		
60	15-92-2060	15-92-2460	49.50 (1.949)	36.83 (1.450)	46.80 (1.842)		
68	15-92-2068	15-92-2468	54.58 (2.149)	41.91 (1.650)	51.88 (2.042)		
80	15-92-2080	15-92-2480	62.20 (2.449)	49.53 (1.950)	59.50 (2.342)		
100	15-92-2100	15-92-2500	74.90 (2.949)	62.23 (2.450)	72.20 (2.842)		
120	15-92-2120	15-92-2520	87.60 (3.449)	74.93 (2.950)	84.90 (3.342)	5.08 (.200)	2.84 (.112)

NOTES:

- 1) MATERIALS:
HOUSING - LIQUID CRYSTAL POLYMER (LCP), GLASS FILLED, UL94V-0, COLOR: BLACK
TERMINALS - PHOSPHOR BRONZE
METAL PEGS - PHOSPHOR BRONZE
- 2) TERMINAL FINISH:
30 MICROINCH/0.76 MICROMETER MINIMUM GOLD IN CONTACT AREA AND
50 MICROINCH/1.27 MICROMETER MINIMUM TIN-LEAD IN TAIL AREA OVER NICKEL OVERALL.
- 3) ASSEMBLY MATES WITH MOLEX P/N SDA-71660-****.
- 4) CONFORMS TO PRODUCT SPECIFICATION PS-71660.
- 5) CENTER PEG IS ONLY ON 120 AND 130 CIRCUIT ASSEMBLIES.
- 6) RECOMMENDED P.C. BOARD THICKNESS IS .062 (1.6).
- 7) FOUR DIGIT DATE CODE (WK YR), EXAMPLE => 26 96 LOCATED IN AREA INDICATED.
- 8) SEE CHART ON SHEET 2 FOR PACKAGING INFORMATION.

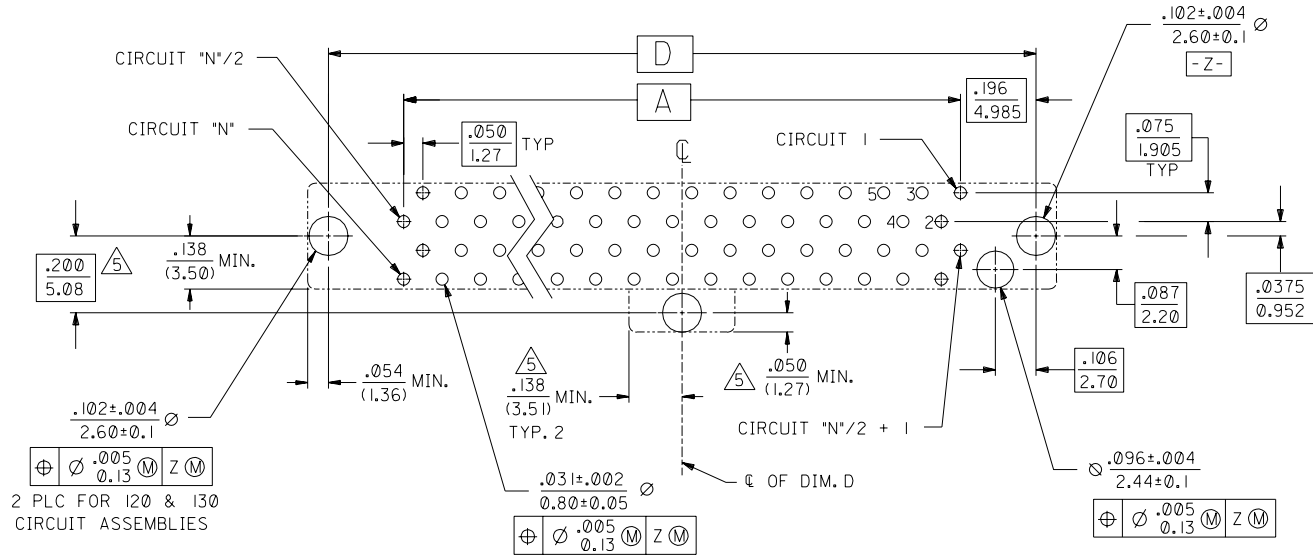
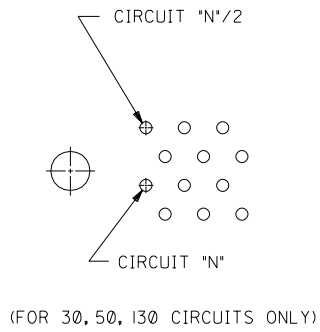


60 CIRCUIT ASSEMBLY SHOWN
SCALE- 2:1

K	CHANGE MATL NOTE ECN UCP2003-1634 BBARKER 03/01/28
J	REVISED PER ECN U10802 WHETSTON 97-1-16
I	REVISED PER ECN U7090 ACHAMMER 96/7/26
H	REVISED PER ECN U60641 11-28-95 DRS
G	REVISED PER ECN U40506 4-15-94 RAN
F	REVISED PER ECN U30614 5-27-93 RAN
E	REVISED PER ECN U30129 2-26-93 RAN
D	REVISED PER ECN U21449 10-12-92 RAN
C	REVISED PER ECN U21311 9-15-92 RAN
B	REVISED PER ECN U21138 8-7-92 RAN
A	INITIAL RELEASE PER ECN U20866 6-20-92 RAN

DIMENSIONS SHOWN (METRIC) INCH UNLESS OTHERWISE SPECIFIED TOLERANCES: ANGULAR ± 1/2°		▽ = 0		= 0		REVISE ONLY ON CAD SYSTEM	
3 PLACE	± .005	---	---				
2 PLACE	± .01	± 0.13	---				
1 PLACE	---	± 0.25	---				
DRAFT WHERE APPLICABLE MUST REMAIN WITHIN DIMENSIONS				SEE TABLE			
DRWG. BY RAN	CHK'D. BY RAN	SCALE 4: 1	FILE NAME 571661X1 501	PART NO. SDA-71661-1***		DATE 6/15/92	
APPR'D. BY CAB				MFG. SH. REV. LTR.		REVISIONS	
				2 K		1 K	
				MFG. SH. REV. LTR.		REVISIONS	

71661



RECOMMENDED PC BOARD LAYOUT \triangle
 COMPONENT SIDE
 (FOR 40, 60, 68, 80, 100, 120 CIRCUITS ONLY)

71661-1430	015-92-2530	130	3.200 (81.28)	3.426 (87.02)	3.699 (93.95)	3.592 (91.25)	.110 (2.79)	TRAYS PER PK-71660
71661-1420	015-92-2520	120	2.950 (74.93)	3.176 (80.67)	3.449 (87.60)	3.342 (84.90)	.110 (2.79)	TRAYS PER PK-71660
71661-1400	015-92-2500	100	2.450 (62.23)	2.676 (67.97)	2.949 (74.90)	2.842 (72.20)	.110 (2.79)	TRAYS PER PK-71660
71661-1381	015-92-2481	80	1.950 (49.53)	2.176 (55.27)	2.449 (62.20)	2.342 (59.50)	.110 (2.79)	TUBES PER PK-70873-0817
71661-1380	015-92-2480	80	1.950 (49.53)	2.176 (55.27)	2.449 (62.20)	2.342 (59.50)	.110 (2.79)	TRAYS PER PK-71660
71661-1368	015-92-2468	68	1.650 (41.91)	1.875 (47.65)	2.149 (54.58)	2.042 (51.88)	.110 (2.79)	TRAYS PER PK-71660
71661-1360	015-92-2460	60	1.450 (36.83)	1.676 (42.57)	1.949 (49.50)	1.842 (46.80)	.110 (2.79)	TRAYS PER PK-71660
71661-1350	015-92-2450	50	1.200 (30.48)	1.426 (36.22)	1.699 (43.15)	1.592 (40.45)	.110 (2.79)	TRAYS PER PK-71660
71661-1340	015-92-2440	40	.950 (24.13)	1.176 (29.87)	1.449 (36.80)	1.342 (34.10)	.110 (2.79)	TRAYS PER PK-71660
71661-1330	015-92-2430	30	.700 (17.78)	.925 (23.52)	1.199 (30.45)	1.092 (27.75)	.110 (2.79)	TRAYS PER PK-71660
71661-1130	015-92-2130	130	3.200 (81.28)	3.426 (87.02)	3.699 (93.95)	3.592 (91.25)	.134 (3.40)	TRAYS PER PK-71660
71661-1120	015-92-2120	120	2.950 (74.93)	3.176 (80.67)	3.449 (87.60)	3.342 (84.90)	.134 (3.40)	TRAYS PER PK-71660
71661-1100	015-92-2100	100	2.450 (62.23)	2.676 (67.97)	2.949 (74.90)	2.842 (72.20)	.134 (3.40)	TRAYS PER PK-71660
71661-1080	015-92-2080	80	1.950 (49.53)	2.176 (55.27)	2.449 (62.20)	2.342 (59.50)	.134 (3.40)	TRAYS PER PK-71660
71661-1068	015-92-2068	68	1.650 (41.91)	1.875 (47.65)	2.149 (54.58)	2.042 (51.88)	.134 (3.40)	TRAYS PER PK-71660
71661-1060	015-92-2060	60	1.450 (36.83)	1.676 (42.57)	1.949 (49.50)	1.842 (46.80)	.134 (3.40)	TRAYS PER PK-71660
71661-1050	015-92-2050	50	1.200 (30.48)	1.426 (36.22)	1.699 (43.15)	1.592 (40.45)	.134 (3.40)	TRAYS PER PK-71660
71661-1040	015-92-2040	40	.950 (24.13)	1.176 (29.87)	1.449 (36.80)	1.342 (34.10)	.134 (3.40)	TRAYS PER PK-71660
71661-1030	015-92-2030	30	.700 (17.78)	.925 (23.52)	1.199 (30.45)	1.092 (27.75)	.134 (3.40)	TRAYS PER PK-71660
ENGINEERING NUMBER	EDP NUMBER	CIRCUIT SIZE ("N")	A	B	C	D	E	PACKAGING

DIMENSIONS SHOWN (METRIC) INCH		UNLESS OTHERWISE SPECIFIED TOLERANCES: ANGULAR $\pm 1/2^\circ$		MFG. SH. REV. LTR. REVISIONS	
5 PLACE $\pm .005$	INCH	---	METRIC	REVISE ONLY ON CAD SYSTEM	
2 PLACE $\pm .01$	INCH	± 0.13	METRIC	TITLE	
1 PLACE ---	INCH	± 0.25	METRIC	SALES ASSEMBLY	
DRAFT WHERE APPLICABLE MUST REMAIN WITHIN DIMENSIONS				MOLEX INCORPORATED	
PART NO. SEE TABLE				SHEET NO. 2	
FILE NAME S71661X1				DATE 6/15/92	
SCALE 4:1				DIV. C	
DRWG. NO. SDA-71661-1***				THIS DRAWING CONTAINS INFORMATION THAT IS PROPRIETARY TO MOLEX INC. AND SHOULD NOT BE USED WITHOUT WRITTEN PERMISSION.	

71661

D

C

B

A