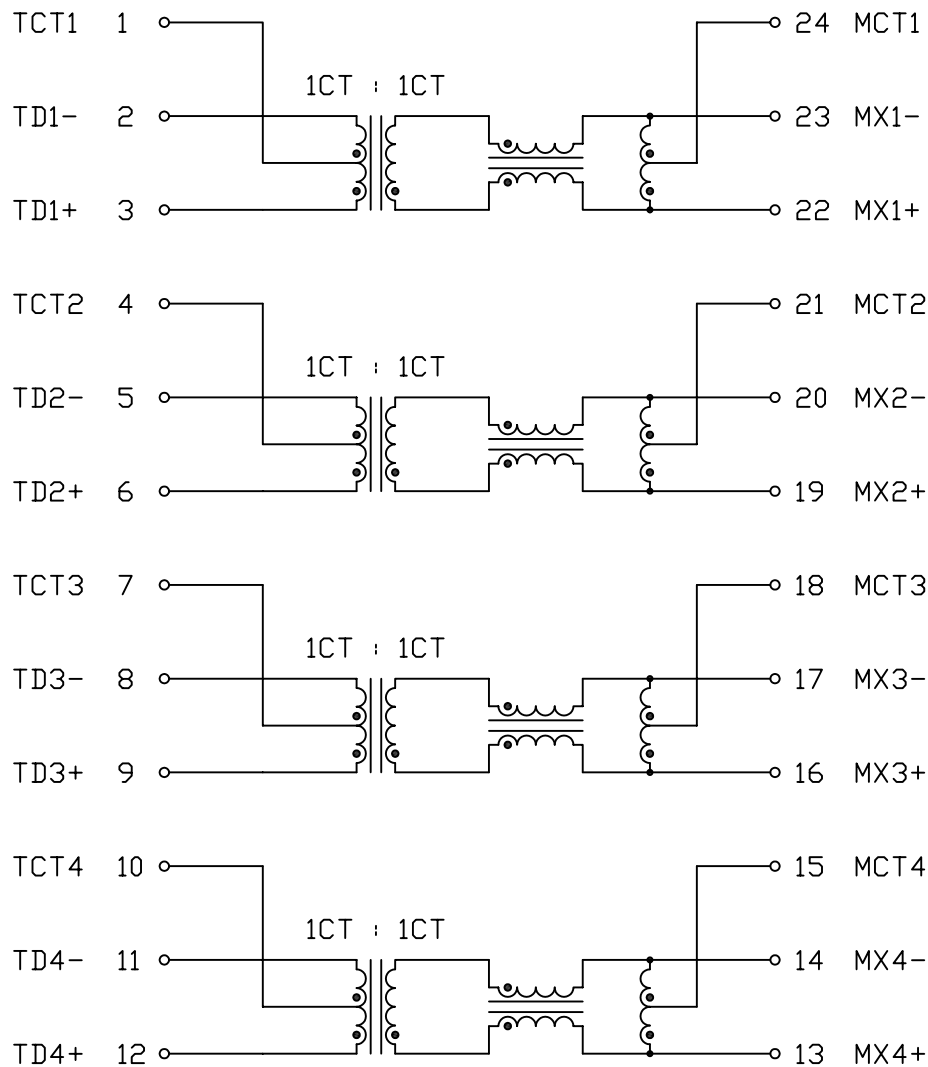


THE INFORMATION CONTAINED HEREIN IS CONSIDERED 'PROPRIETARY' TO BEL FUSE INC. AND SHALL NOT BE COPIED, REPRODUCED OR DISCLOSED WITHOUT THE WRITTEN APPROVAL OF BEL FUSE INC.

UNCONTROLLED COPY



SCHEMATIC



ELECTRICAL CHARACTERISTICS @25°C

URNS RATIO

(3-1-2) : (22-24-23)	1CT : 1CT
(6-4-5) : (19-21-20)	1CT : 1CT
(9-7-8) : (16-18-17)	1CT : 1CT
(12-10-11) : (13-15-14)	1CT : 1CT

POLARITY

PER DOT CONVENTION

□CL

(23-22), (20-19)	350μH MIN @100kHz, 100mV
(17-16), (14-13)	WITH 8mA DC BIAS
OPERATING TEMPERATURE	-40°C TO +85°C

INSERTION LOSS

1.1dB MAX @0.1 TO 1MHz
1.0dB MAX @1 TO 100MHz

COMMON TO COMMON MODE REJECTION

22.0dB MIN @30MHz
23.0dB MIN @50MHz
20.5dB MIN @80MHz
20.0dB MIN @100MHz

RETURN LOSS

UNDER 100 OHM ±15% ENVIRONMENT
18dB MIN @0.5 TO 40MHz
12-20LOG (f/80MHz) MIN @40 TO 100MHz

CROSSTALK

33-20LOG (f/100MHz) dB MIN @1-100MHz

HIPOT

PER HAND-WORK-03

ORIGINATED BY	DATE	TITLE	PART NO. / DRAWING NO.	STANDARD DIM. TOL. IN INCH	[] METRIC DIM. AS REFERENCE
CHAN CH	06-05-09	ELECTRICAL SPECIFICATION S558-5999-AC-F	X5585999AC-F	.X	UNIT : INCH [mm] REV. : B
DRAWN BY	DATE		FILE NAME	.XX	SCALE : N/A SIZE : A4
YH Lai	06-05-09		X5585999ACFB.DWG	.XXX	PAGE : 2

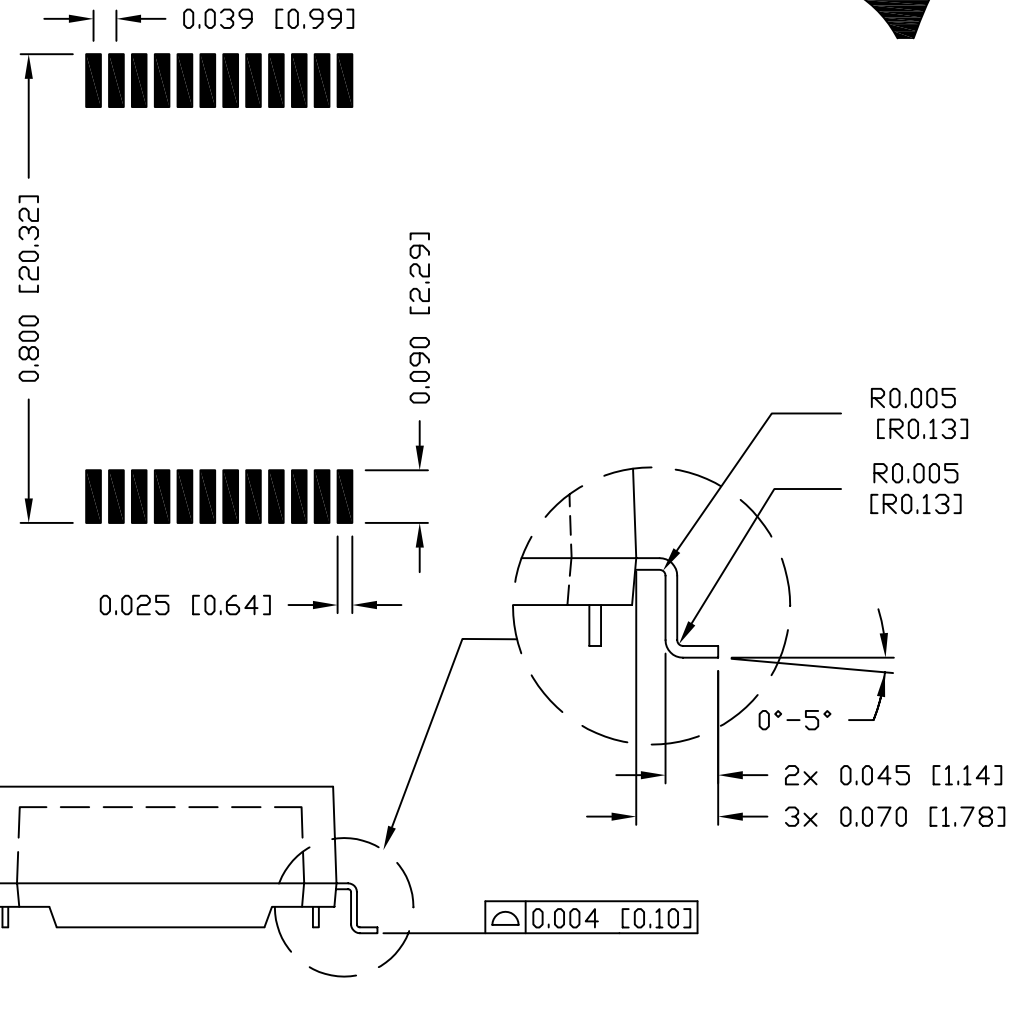
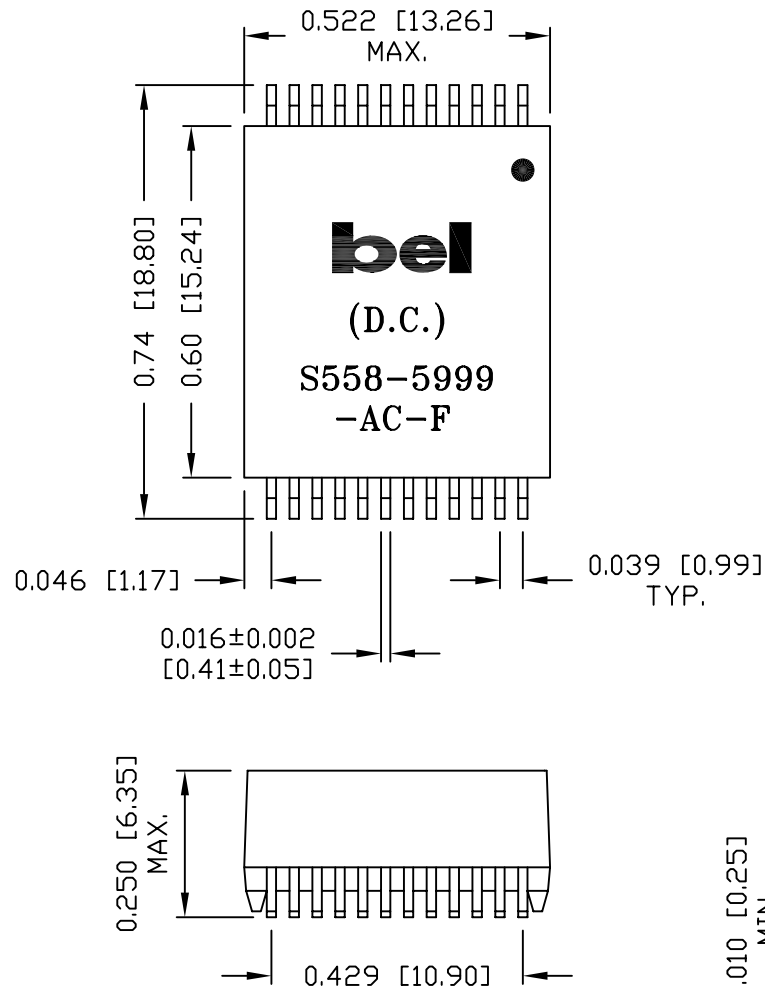


THE INFORMATION CONTAINED HEREIN IS CONSIDERED "PROPRIETARY" TO BEL FUSE INC. AND SHALL NOT BE COPIED, REPRODUCED OR DISCLOSED WITHOUT THE WRITTEN APPROVAL OF BEL FUSE INC.

UNCONTROLLED COPY



SUGGESTED PCB PAD LAYOUT



NOTES:

- STANDARD MARKING REFER TO DOC. HAND-WORK-04.
- PACKAGE CODE: "QTS001".

ORIGINATED BY	DATE	TITLE	PART NO. / DRAWING NO.	STANDARD DIM. TOL. IN INCH	[] METRIC DIM. AS REFERENCE
LAWRENCE TSANG	06-05-09	MECHANICAL DRAWING S558-5999-AC-F	X5585999AC-F	.X	UNIT : INCH [mm] REV. : B
DRAWN BY	DATE		FILE NAME	.XX ±0.01	SCALE : N/A SIZE : A4
YH Lai	06-05-09		X5585999ACFB.DWG	.XXX ±0.005	PAGE : 3

