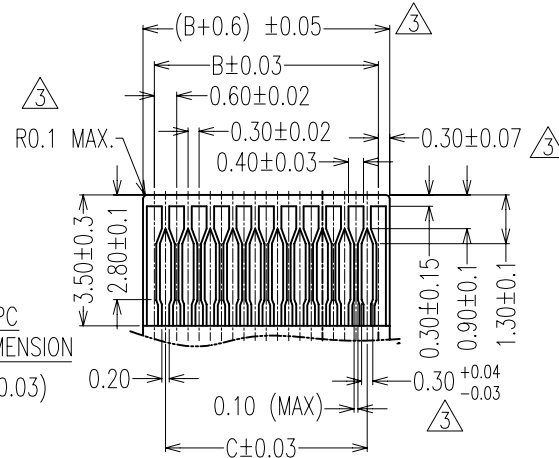


APPLICABLE FPC
RECOMMENDED DIMENSION
(THICKNESS 0.2±0.03)



SPECIFICATIONS:
MATERIAL:-
HOUSING: HIGH TEMPERATURE THERMOPLASTIC UL94V-0, COLOR: WHITE
ACTUATOR: HIGH TEMPERATURE THERMOPLASTIC UL94V-0, COLOR: BLACK
CONTACT: COPPER ALLOY
FINISH:-
CONTACT: GOLD OR TIN

NOTES: ALL DIMENSIONS AND NOTES MARKED ARE CRITICAL AND MUST BE CHECKED IN ACCORDANCE WITH QUALITY DOC. Q1-02A

3 4 5 6

*CHECK SALES FOR AVAILABILITY

PIN	A	B	C	D
*05	4.0	1.2	0.6	1.85
*07	4.6	1.8	1.2	2.45
*09	5.2	2.4	1.8	3.05
*11	5.8	3.0	2.4	3.65
*13	6.4	3.6	3.0	4.25
*15	7.0	4.2	3.6	4.85
*17	7.6	4.8	4.2	5.45
*19	8.2	5.4	4.8	6.05
*21	8.8	6.0	5.4	6.65
*23	9.4	6.6	6.0	7.25
*25	10.0	7.2	6.6	7.85
*27	10.6	7.8	7.2	8.45
*29	11.4	8.4	7.8	9.05
*31	12.0	9.0	8.4	9.65
*33	12.4	9.6	9.0	10.25
*35	13.0	10.2	9.6	10.85
*37	13.6	10.8	10.2	11.45
*39	14.2	11.4	10.8	12.05
*41	14.8	12.0	11.4	12.65
*43	15.4	12.6	12.0	13.25
*45	16.0	13.2	12.6	13.85
*47	16.6	13.8	13.2	14.45
*49	17.2	14.4	13.8	15.05
*51	17.8	15.0	14.4	15.65
*53	18.4	15.6	15.0	16.25
*55	19.0	16.2	15.6	16.85
*57	19.6	16.8	16.2	17.45
*59	20.6	17.4	16.8	18.05
*61	20.8	18.0	17.4	18.65

Allan	6	02.09.09	A232
Allan	5	15.09.08	A161
Allan	4	18.12.07	A099
Allan	3	16.02.07	A017
Allan	2	05.10.06	A001
Allan	1	25.09.06	-

NAME	ISS.	DATE	C/NOTE
APPROVED:			
CHECKED:			

ORDER CODE
F03E- XX 21 XX R
NO. OF WAYS: 45: GOLD PLATE
46: TIN PLATE

DRAWN: Allan
CUSTOMER REF.:
ASSEMBLY DRG:

HARWIN

HARWIN USA
TEL: 603 893 5376
FAX: 603 893 5396
mis@harwin.com

HARWIN Europe (UK)
TEL: 023 9231 4545
FAX: 023 9231 4590
mis@harwin.co.uk

HARWIN Asia
TEL: +65 6 779 4909
FAX: +65 6 779 3868
mis@harwin.com.sg

THIS DRAWING AND ANY INFORMATION OR DESCRIPTIVE MATTER SET OUT HEREON ARE CONFIDENTIAL AND COPYRIGHT PROPERTY OF THE HARWIN GROUP AND MUST NOT BE DISCLOSED, LOANED, COPIED OR USED FOR MANUFACTURING, TENDERING OR FOR ANY OTHER PURPOSE WITHOUT THEIR WRITTEN PERMISSION.

TOLERANCES
X.X = ±0.25mm
X.XX = ±0.20mm
ANGLES = ±0.5°
UNLESS STATED

MATERIAL:
SEE NOTES
FINISH:
SEE NOTES
S/AREA: mm²

TITLE:
0.3 ZIF FPC
DRAWING NUMBER:
F03E- XX 21 XX R
SHT 1 OF 1