

FEATURES AND SPECIFICATIONS

Features and Benefits

- Sizes 4 to 25 circuits
- Larger pocket accepts interim clip with end-to-end stacked connectors
- Locking crown secures positive latch to header
- Polarization slots guide front ribs of mating connector to prevent pin damage
- Surface Mount Compatible

Reference Information

Product Specification: PS-70541
 Packaging: Tube
 UL File No.: E29179
 CSA File No.: LR19980
 Mates With: 70004
 Designed In: Inches

Electrical

Voltage: 250V
 Current: 3.0A
 Contact Resistance: 15mΩ max.
 Dielectric Withstanding Voltage: 1500V
 Insulation Resistance: 1000 MΩ min.

Mechanical

Durability: Tin—25 cycles; Gold—50 cycles

Physical

Housing: Black glass-filled PCT, UL 94V-0
 Contact: Phosphor Bronze, .025" square
 Plating: See Table
 Operating Temperature: -40 to +105°C



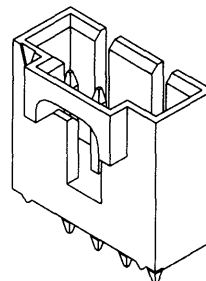
2.54mm (.100") Pitch

SL™

Wire-to-Board
 Shrouded Header

70563

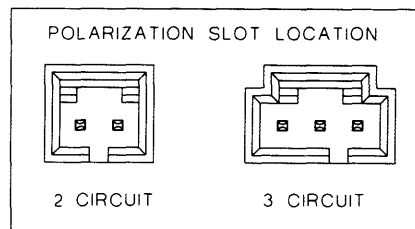
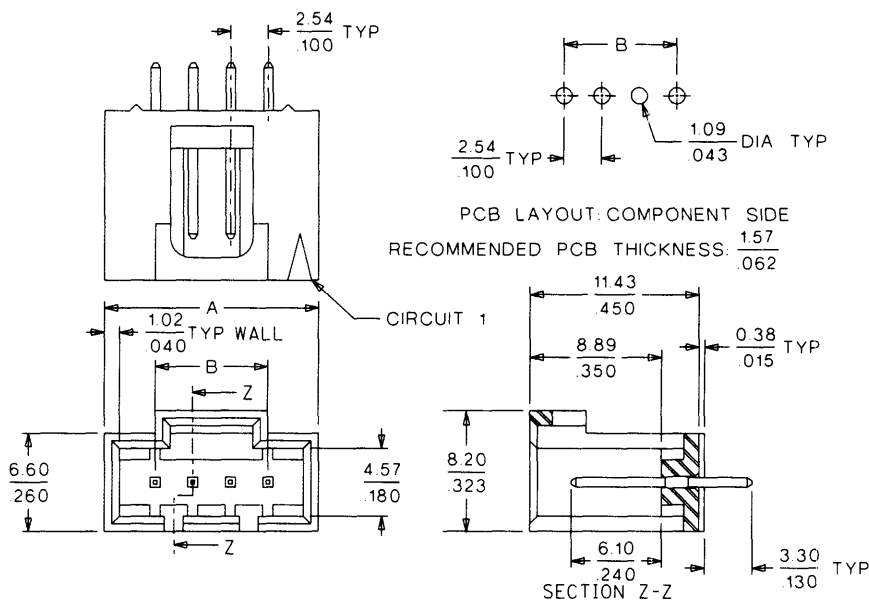
Single Row, .180" Pocket
 Vertical



2.54mm (.100") Pitch

CATALOG DRAWING (FOR REFERENCE ONLY)

Not For Use With C-Grid III™ Components



ORDERING INFORMATION AND DIMENSIONS

Circuits	Order No.			Dimension	
	15μ" Min. Gold	30μ" Min. Gold	150μ" Tin/Lead	A	B
4	• 70563-0003	70563-0108	70563-0038	14.49 (.570)	7.62 (.300)
5	• 70563-0004	70563-0109	70563-0039	17.03 (.670)	10.16 (.400)
6	• 70563-0005	70563-0110	70563-0040	19.59 (.770)	12.70 (.500)
7	• 70563-0006	70563-0111	70563-0041	22.11 (.870)	15.24 (.600)
8	• 70563-0007	70563-0112	70563-0042	24.65 (.970)	17.78 (.700)
9	• 70563-0008	70563-0113	70563-0043	27.19 (1.070)	20.32 (.800)
10	• 70563-0009	70563-0114	70563-0044	29.73 (1.170)	22.86 (.900)
11	• 70563-0010	70563-0115	70563-0045	32.27 (1.270)	25.40 (1.000)
12	• 70563-0011	70563-0116	70563-0046	34.81 (1.370)	27.94 (1.100)
13	• 70563-0012	70563-0117	70563-0047	37.35 (1.470)	30.48 (1.200)
14	• 70563-0013	70563-0118	70563-0048	39.89 (1.570)	33.02 (1.300)

Circuits	Order No.			Dimension	
	15μ" Min. Gold	30μ" Min. Gold	150μ" Tin/Lead	A	B
15	• 70563-0014	70563-0119	70563-0049	42.43 (1.670)	35.56 (1.400)
16	• 70563-0015	70563-0120	70563-0050	44.97 (1.770)	38.10 (1.500)
17	• 70563-0016	70563-0121	70563-0051	47.51 (1.870)	40.64 (1.600)
18	• 70563-0017	70563-0122	70563-0052	50.05 (1.970)	43.18 (1.700)
19	• 70563-0018	70563-0123	70563-0053	52.59 (2.070)	45.72 (1.800)
20	• 70563-0019	70563-0124	70563-0054	55.13 (2.170)	48.26 (1.900)
21	• 70563-0020	70563-0125	70563-0055	57.67 (2.270)	50.80 (2.000)
22	• 70563-0021	70563-0126	70563-0056	60.21 (2.370)	53.34 (2.100)
23	• 70563-0022	70563-0127	70563-0057	62.75 (2.470)	55.88 (2.200)
24	• 70563-0023	70563-0128	70563-0058	65.29 (2.570)	58.42 (2.300)
25	• 70563-0024	70563-0129	70563-0059	67.83 (2.670)	60.96 (2.400)

• US Standard Product, available through Molex franchised distributors