

VG95328 S
Bayonet-Lock
Rear Panel Mount Jam Nut Receptacle Connector
with Shrinkboot Backshell

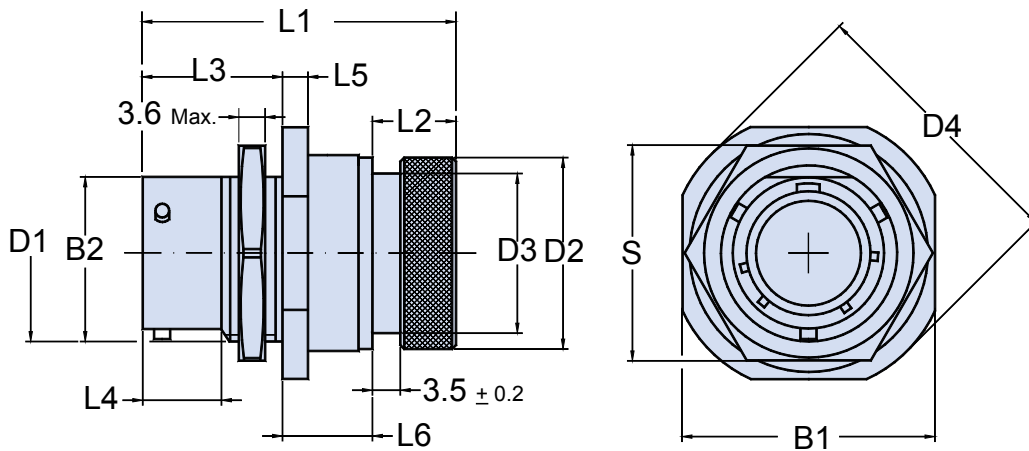
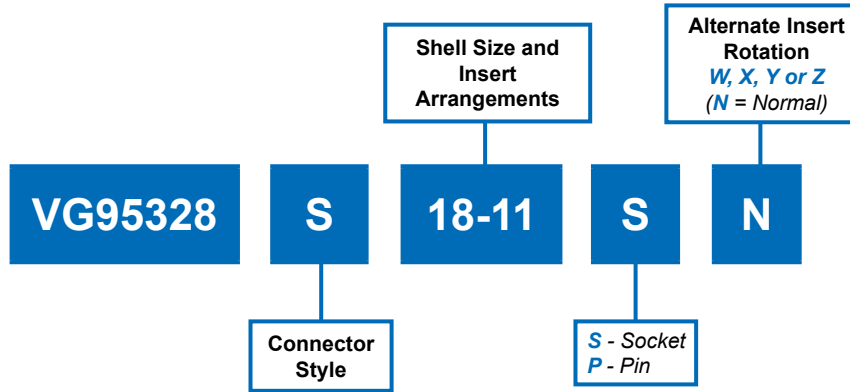


TABLE I: DIMENSIONS

Shell size	B1 Max.	B2 + 0 - 0.25	D1	D4 + 0 - 0.8	L1 Max.	L3 + 0.8 - 0	L4 Min.	L5 ± 0.5	L6 ± 0.8	S ± 0.43	Maximum Weight in Grams
8	24.3	13.46	0.5625-24UNEF	27.3	43.0	17.5	9.75	3.0	12.6	19.05	20
10	27.4	16.46	0.6875-24UNEF	30.5	43.0	17.5	9.75	3.0	12.6	22.23	23
12	32.2	20.78	0.8750-20UNEF	35.3	43.0	17.5	9.75	3.0	12.6	26.97	30
14	35.4	23.93	1.0000-20UNEF	38.5	43.0	17.5	9.75	3.0	12.6	30.18	40
16	38.6	27.08	1.1250-18UNEF	41.6	45.5	17.5	9.75	3.0	12.6	33.32	50
18	41.7	30.25	1.2500-18UNEF	44.8	45.5	17.5	9.75	3.0	12.6	36.53	60
20	46.5	33.43	1.3750-18UNEF	49.6	53.5	22.3	11.32	3.8	13.7	39.67	80
22	49.7	36.60	1.5000-18UNEF	52.7	53.5	22.3	11.32	3.8	13.7	42.88	85
24	52.8	39.78	1.6250-18UNEF	55.9	53.5	23.1	12.16	3.8	14.0	46.02	90

Single Hole Mounting

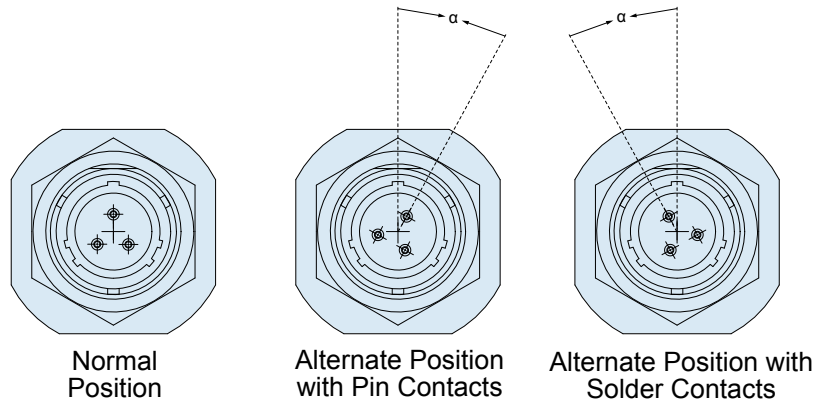
VG95328 S
Bayonet-Lock
Rear Panel Mount Jam Nut Receptacle Connector
with Shrinkboot Backshell



VG95328
Connectors

Contact Arrangements			
Arrangement	Cl. Isol. Rating	Dim. contact size	
		20	16
8 - 3A	I	3	
10 - 6	I	6	
12 - 3	II		3
12 - 10	I	10	
14 - 5	II		5
14 - 12	I	8	4
14 - 15	I	14	1
14 - 19	I	19	
16 - 8	II		8
16 - 23	I	22	1
16 - 26	I	26	
18 - 11	II		11
18 - 32	I	32	
20 - 16	II		16
20 - 41	I	41	
22 - 21	II		21
22 - 55	I	55	
24 - 61	I	61	

Alternate Insert Orientations				
Arrangement	Degrees			
	W	X	Y	Z
8 - 3A	60	(120)		
10 - 6	90			
12 - 3			180	
12 - 10	60	155	270	295
14 - 5	40	92	184	273
14 - 12	43	90		
14 - 15	17	110	155	234
14 - 19	30	165	315	
16 - 8	54	152	180	331
16 - 23	158	270		
16 - 26	60		275	338
18 - 11	62	119	241	340
18 - 32	85	138	222	265
20 - 16	238	318	333	347
20 - 41	45	126	225	
22 - 21	16	135	175	349
22 - 55	30	142	226	314
24 - 61	90	180	270	324



MATERIALS	
SHELLS	INSERTS (Temperature Range)
Aluminum Alloy IAW QQ-A-591 Shells	High Insulation Synthetic Rubber (Chloroprene): -55°C/+125°C
Stainless Steel Coupling Pins	CRIMP CONTACTS
Stainless Steel Spring	Copper Alloy with Gold Plating Over Nickel

STANDARD FINISH (For QQ-A-591 Aluminum Shells)	
Requirements	Cadmium with Olive Drab Passivation IAW QQ-P-416
Thermal Shock	-55°C + 125°C
Salt Spray After Thermal Shock	500 hour
Electrical Conductivity	Very Good
Abrasion Resistance	Very Good

See Page 13 for Panel Thickness and Cutout Dimensions