



Miniature Product with a Bayonet Release

Space saving with scoop proof connector for harsh applications.

A compact solution

Diameter up to 45% smaller than size 9 (D38999).
Up to 50% shorter.

A high density solution

With #26 contacts (according 39029).
5 layouts (size 3, 5 and 7 with #22 & #26).

Excellent features

Designed for D38999 requirements.
IP67 sealing when mated.

RoHS and Cadmium free

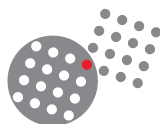
Available in zinc nickel (RoHS) plating, as well as
nickel and olive drab cadmium.

Robustness

Connector available with stainless steel (1500
matings) and aluminum shell (500 matings).

Integrated backshell

Cost and space saving.





Description

- **A compact solution**
 - The smallest connector available on the market (shell size 3)
 - Miniaturization of MIL-DTL-38999 Series I
 - Quick bayonet locking
 - Integrated backshell:
 - . Easy to wire and handle
 - . Compatible with heat shrink boot and braid retention band
 - . Compliant with overmolding
- **A versatile solution**
 - 3 shells sizes: 3, 5, 7
 - Plug; In line, square flange, oval flange and jam nut receptacle
 - 3 materials, 3 platings
 - Crimp & PC tails (on request)
 - Removable contacts #22D & #26
 - 6 keyings
- **Harsh environment-resistant solution**
 - Scoop Proof
 - Cavity to cavity sealed with interfacial seal and grommet
 - Fluid resistant

Technical Features

Mechanical

- **Shell:**
 - Aluminum alloy
 - Passivated stainless steel (for size 5 & 7)
- **Shell plating:**
 - Aluminum:
 - . Zinc nickel (RoHS)
 - . Nickel (RoHS)
 - . Olive drab cadmium
 - Passivated stainless steel (RoHS)
 - Composite (size 7)
- **Insulator:** Thermoplastic
- **Contact body:** Copper alloy
- **Contacts plating:** Gold over nickel plated
- **Shell endurance:**
 - Aluminum:
 - 250 mating/unmating cycles
 - Passivated stainless steel:
 - 1000 mating/unmating cycles
- **Vibration:**
 - 30 grms ambient, 2 axes during 8 hours

Electrical

- **Wire size**

Layout	Wire (AWG)
03-05	24-30
03-35	22-28
05-06	24-30
05-35	22-28
07-09	24-30
07-35	22-28
- **Test voltage (at sea level):**
 - Size 22D: 1000 Vrms
 - Size 26: 400 Vrms
- **Contact resistance:**
 - Size 22D: <14.6 mΩ
 - Size 26: <16 mΩ
- **Contact rating:**
 - Size 22D: 5A
 - Size 26: 3A
- **Contact retention:**
 - Size 22D: 45N
 - Size 26: 30N
- **Shell to shell continuity**

Shell size	All versions
03	< 250 mΩ
05	
07	
- **EMI:**
 - 55dB @ 1GHz

Environmental

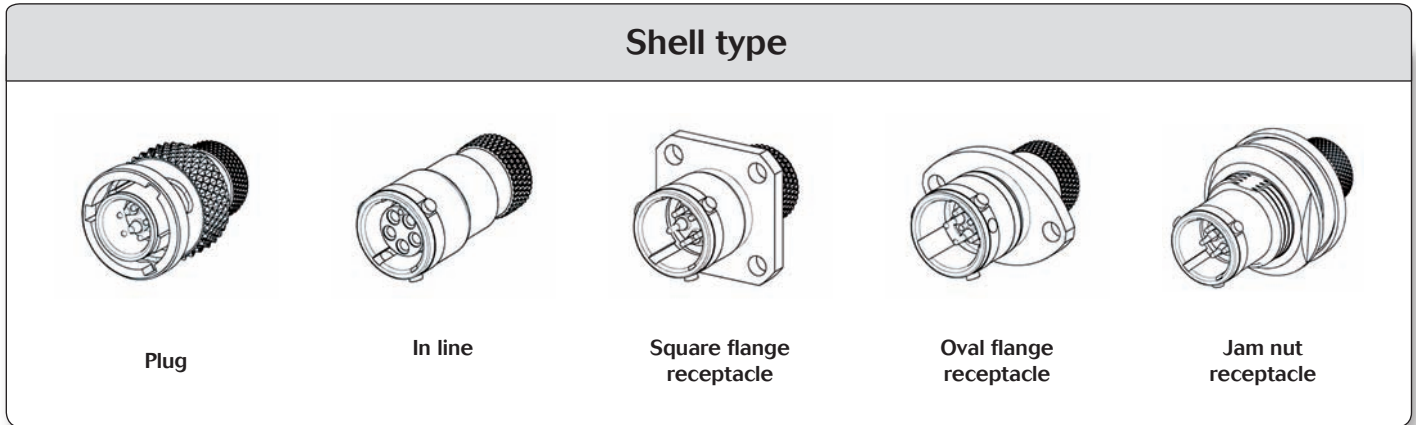
- **Temperature range:**
 - 55°C to +175°C
- **Water immersion:**
 - IP 67 on mated connector
 - 1 meter for 30 min minimum
 - > IP68 with appropriate cable termination
- **Salt spray:**
 - Zinc nickel: 500 hours
 - Nickel: 48 hours
 - Olive drab cadmium: 500 hours
 - Passivated stainless steel: 500 hours

Resistance to fluids

- **According to MIL-DTL-38999 standard**
 - Gasoline: JP5 (OTAN F44)
 - Mineral hydraulic fluid: MIL-H-5606 (OTAN H515)
 - Synthetic hydraulic fluid: Skydrol 500 B4
- **Compatible with de-icing fluids containing potassium acetate**

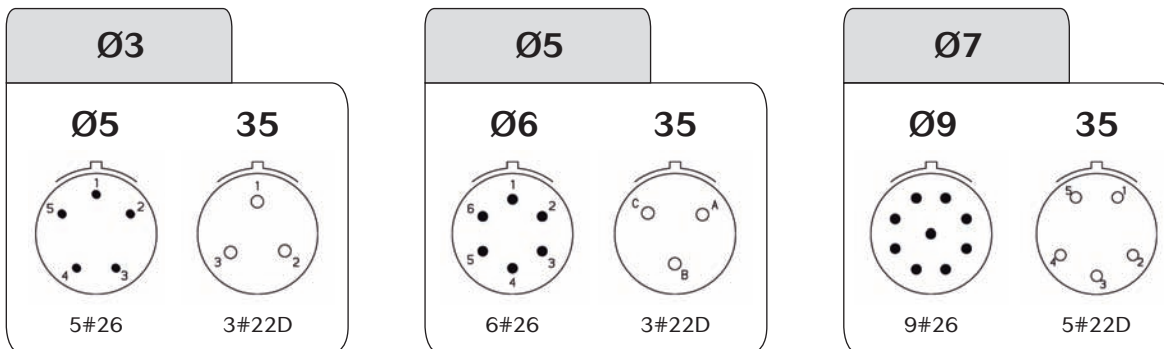
micr 38999

8LTA Bayonet Coupling



For other configuration (PC tail, specific jam nut, ...) please consult us.

Contact layouts



Ordering information

Basic Series	8LTA	Ø	Ø3	W	Ø5	P	N
Shell type:							
Ø: Square flange receptacle							
1: In line receptacle							
2: Oval flange receptacle							
6: Plug without EMI ring							
7: Jam nut receptacle							
Shell size: Ø3 - Ø5 - Ø7							
Plating :							
Z: Black zinc nickel							
F: Nickel							
W: Olive drab cadmium							
Contact layouts: See above							
Contact type:							
P: Pin							
S: Socket							
Orientation:							
N, A, B, C, D, E							

Note: Ø = Zero



Dimensions

Plug - Shell type 6

Shell size	A Max	B Max	C Max	Ø D Max	Ø E Max	
3	3-05	16.2	2.2 \pm 0.15	4.6	7.2	10.5
	3-35	17.5	2.2 \pm 0.15	5.9	7.2	10.5
05	18.4	2.5 \pm 0.15	4.9	8.55	13.5	
07	22.06	3.65 \pm 0.15	6.35	10.3	15.06	

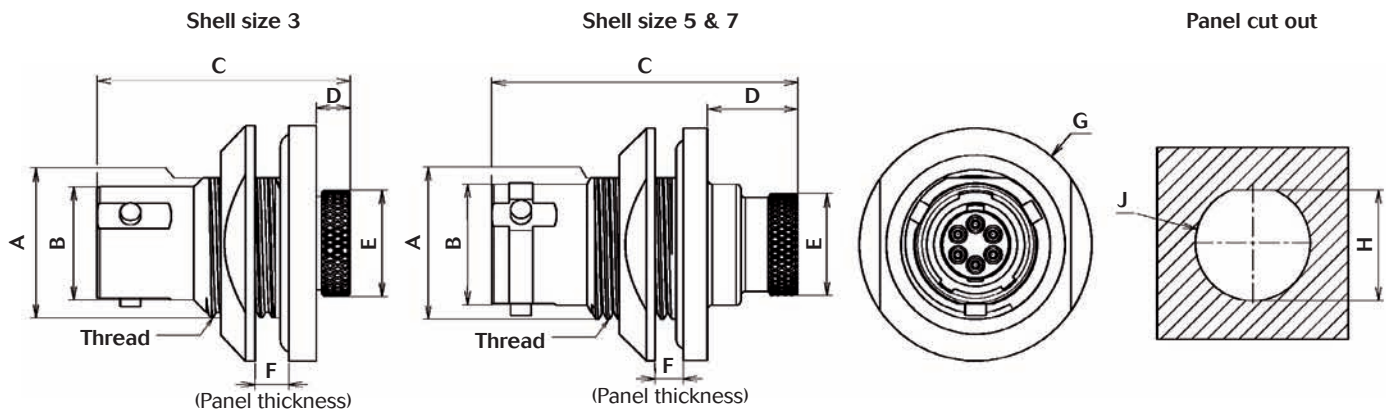
In line receptacle - Shell type 1

Shell size	A Max	B Max	C Max	Ø D Max	Ø E Max	
3	3-05	16.2	2.2 \pm 0.15	4.6	7.2	8.3
	3-35	17.5	2.2 \pm 0.15	5.9	7.2	8.3
5	18.2	2.5 \pm 0.15	4.9	8.55	10.15	
7	23.6	4 \pm 0.15	7.5	10.3	11.6	

Note: All dimensions are in mm.

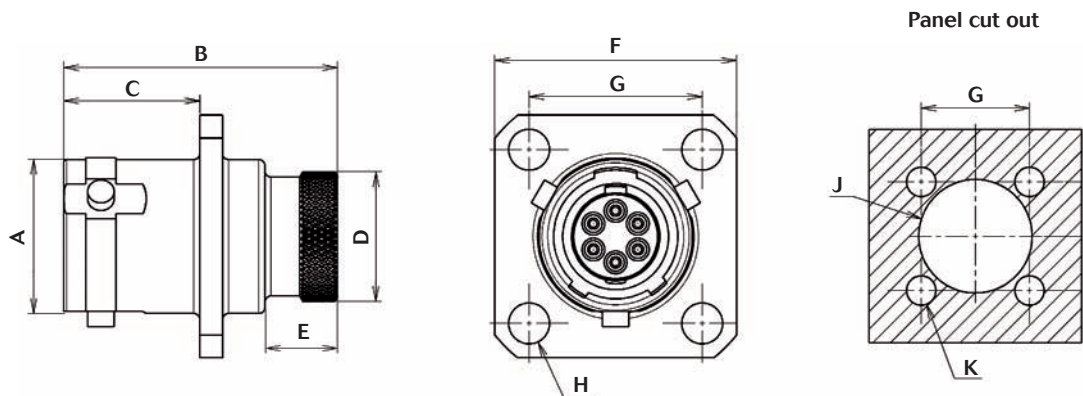


Jam nut receptacle - Shell type 7



Shell size	Thread	A Max	Ø B Max	C Max	D Max	Ø E Max	F Max	Ø G Max	H Max	Ø J Max	
3	3-05	7/16"28 UNEF 2A	10.3	8.3	16.2	2.6	7.8	1 to 3.2	17.3	11.3 ^{±0.1}	12 ^{±0.1}
	3-35	7/16"28 UNEF 2A	10.3	8.3	17.5	2.6	7.8	1 to 3.2	17.3	11.3 ^{±0.1}	12 ^{±0.1}
5	1/2"28 UNEF 2A	11.7	10.5	25.9	7.7	8.55	1 to 3.2	19.5	13 ^{±0.1}	13.5 ^{±0.1}	
7	9/16"24 UNEF 2A	13.4	11.6	33.55	10.4	10.3	1 to 3.2	20.8	14.4 ^{±0.1}	15.2 ^{±0.1}	

Square flange receptacle - Shell type 0

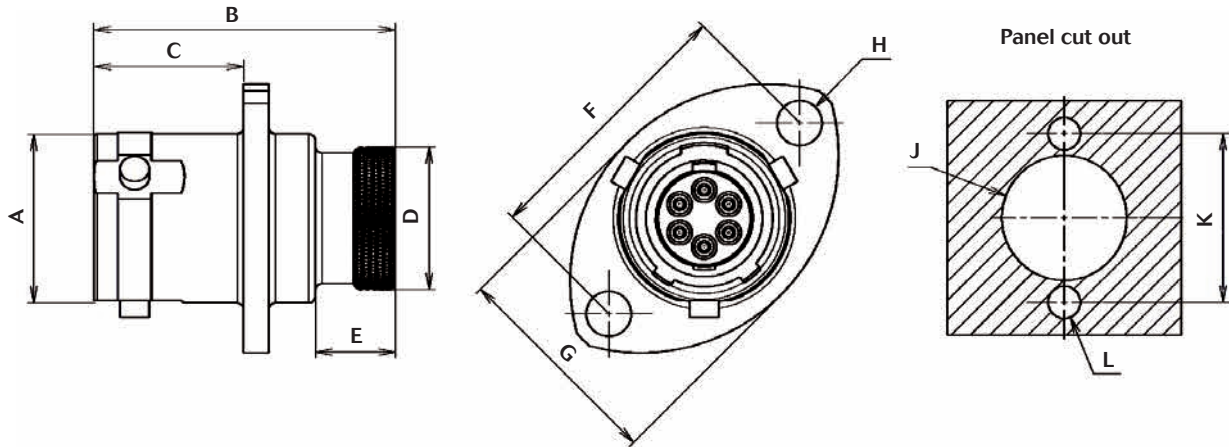


Shell size	Ø A Max	B Max	C Max	Ø D Max	E Max	F Max	G Max	Ø H Max	Ø J Max	Ø K Max	
3	3-05	8.3	16.2	8.7	7.2	4.6	15.5	10.8	2.7 ^{±0.1}	9.3 ^{±0.1}	3.1 ^{±0.1}
	3-35	8.3	17.5	8.7	7.2	5.9	15.5	10.8	2.7 ^{±0.1}	9.3 ^{±0.1}	3.1 ^{±0.1}
5	10.15	18.2	9.05	8.55	4.9	16	11.45	2.7 ^{±0.1}	12 ^{±0.1}	3.1 ^{±0.1}	
7	11.6	23.06	10.8	10.3	7.5	18	12.7	2.7 ^{±0.1}	13 ^{±0.1}	3.1 ^{±0.1}	

Note: All dimensions are in mm.



Oval flange receptacle - Shell type 2



Shell size	Ø A Max	B Max	C Max	Ø D Max	E Max	F Max	G Max	Ø H Max	Ø J Max	K Max	Ø L Max	
3	3-05	8.3	16.2	8.7	7.2	4.6	15.3 \pm 0.2	10.5 \pm 0.1	2.8	9.3 \pm 0.1	15.3 \pm 0.2	3.1 \pm 0.1
	3-35	8.3	17.5	8.7	7.2	5.9	15.3 \pm 0.2	10.5 \pm 0.1	2.8	9.3 \pm 0.1	15.3 \pm 0.2	3.1 \pm 0.1
5	10.15	18.2	9.05	8.55	4.9	16.2 \pm 0.2	13 \pm 0.1	2.7	12 \pm 0.1	16.2 \pm 0.2	3.1 \pm 0.1	
7	11.6	23.06	10.8	10.3	7.5	18 \pm 0.2	14.8 \pm 0.1	2.7	13 \pm 0.1	18 \pm 0.2	3.1 \pm 0.1	

Note: All dimensions are in mm.

Connector weights

Weight

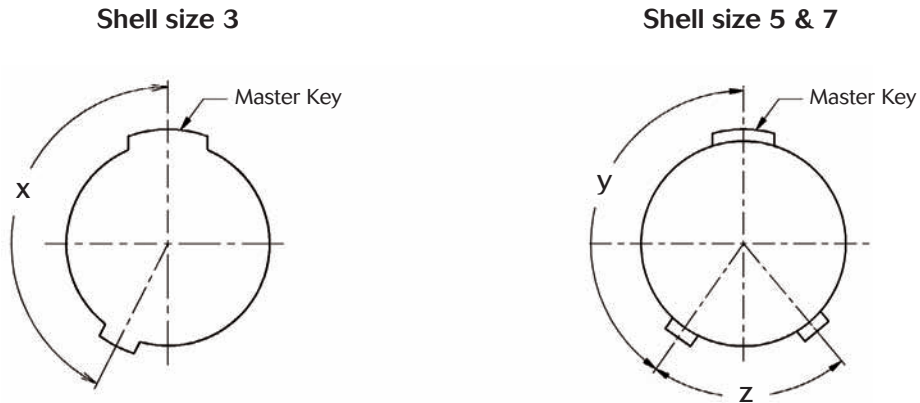
Aluminum version (in gram \pm 10 %)

Shell size & layout	Plug		Square flange receptacle	
	Without contacts	With contacts	Without contacts	With contacts
3-05	1.6	1.7	2	2.2
5-35	3	3.3	2.9	3.1
7-35	4.5	4.9	4.2	4.6



Orientations

Orientation - All shell types



Shell size	Angles	N	A	B	C	D	E
3	X°	153	51	102	204	255	306
5 & 7	y°	145	130	110	155	90	90
	Z°	75	120	120	115	115	180



SOURIAU
Connection Technology

For further information contact us at contactmilaero@souriau.com
or visit our web sites www.souriau.com & www.micro38999.com