

## 8-Channel, Dual 4-Channel, Triple 2-Channel (Triple SPDT) Multiplexers

### DESCRIPTION

The DG4051A, DG4052A and DG4053A are high precision CMOS analog multiplexers. The DG4051A is an 8-channel multiplexer, the DG4052A is a dual 4-channel multiplexer and the DG4053A is a triple 2-channel multiplexer or triple SPDT.

Designed to operate from a + 2.7 V to + 12 V single supply or from a  $\pm 2.5$  V to  $\pm 5$  V dual supplies, the DG4051A, DG4052A and DG4053A are fully specified at + 3 V, + 5 V and  $\pm 5$  V. All control logic inputs have guaranteed 2.0 V logic high limit when operating from + 5 V or  $\pm 5$  V supplies and 1.4 V when operating from a + 3 V supply.

Channel leakage is typically in the range of 10 pA, and switch charge injection is less than 0.5 pC. Coupled with very low switch capacitance, these devices are ideal for high precision signal switching and multiplexing.

All switches conduct equally well in both directions, offering rail to rail analog signal switching and can be used both as multiplexers as well as de-multiplexers.

The DG4051A, DG4052A and DG4053A operating temperature is specified from - 40 °C to + 125 °C and are available in 16 pin TSSOP and the ultra compact 1.8 mm x 2.6 mm miniQFN16 packages.

### FEATURES

- + 2.7 V to + 12 V single supply operation
- $\pm 2.5$  V to  $\pm 5$  V dual supply operation
- Fully specified at + 3 V, + 5 V,  $\pm 5$  V
- 100  $\Omega$  maximum on-resistance
- Low voltage, 2.5 V CMOS/TTL compatible
- Low charge injection (< 0.5 pC typ.)
- High - 3 dB bandwidth: 330 MHz to 700 MHz
- Low switch capacitance ( $C_{S(off)}$  3 pF typ.)
- Excellent isolation and crosstalk performance (typ. 47 dB at 100 MHz)
- 16 pin SOIC, TSSOP and miniQFN package (1.8 mm x 2.6 mm)
- Fully specified from - 40 °C to + 85 °C and - 40 °C to + 125 °C
- Compliant to RoHS directive 2002/95/EC

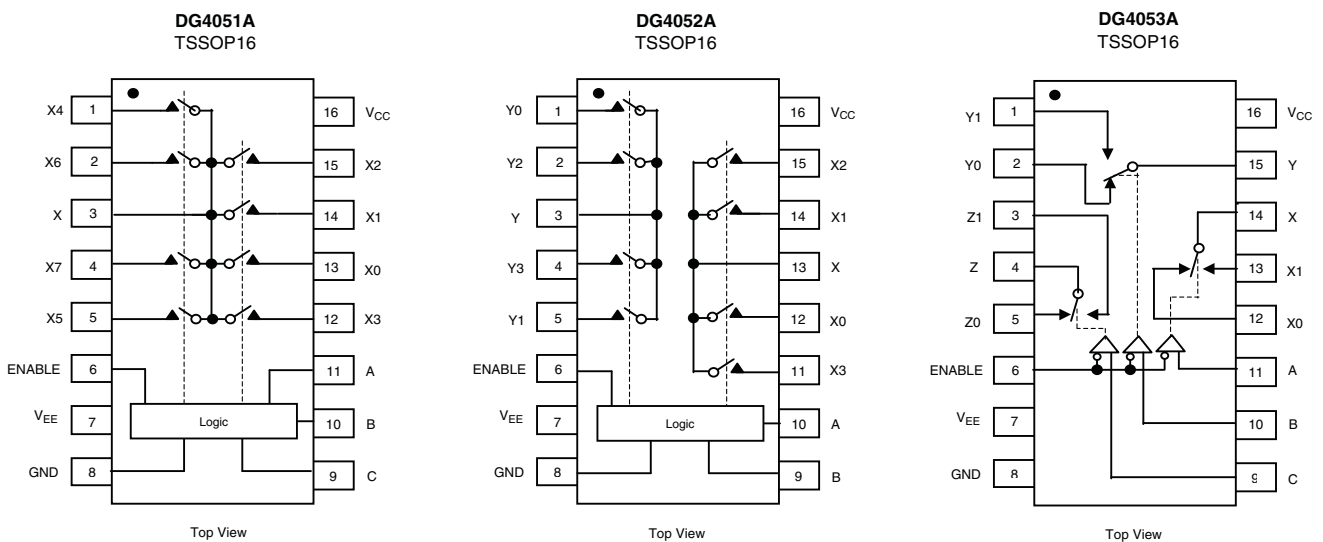


**RoHS**  
COMPLIANT

### APPLICATIONS

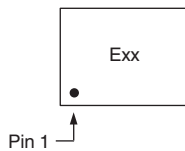
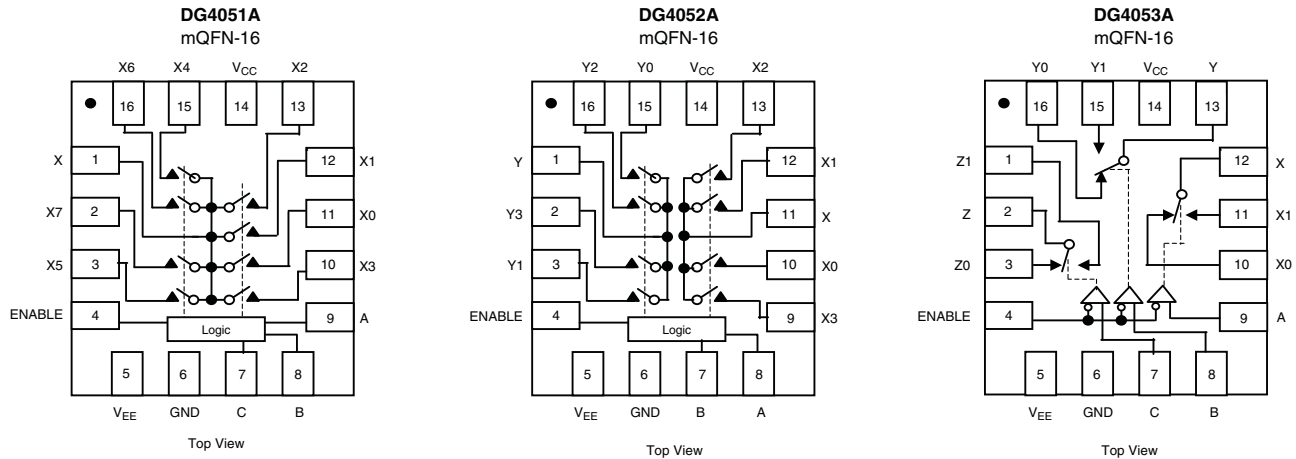
- Instruments
- Healthcare and medical equipments
- Touch panel
- Automated test equipment
- Automation and control
- High precision data acquisition
- Communication system

### FUNCTIONAL BLOCK DIAGRAM AND PIN CONFIGURATION



ENABLE = LO, all switches are controlled by addr pins.  
ENABLE = HI, all switches are off.

## FUNCTIONAL BLOCK DIAGRAM AND PIN CONFIGURATION



Device Marking: Exx for DG4051A (miniQFN16) Fxx for DG4052A Gxx for DG4053A  
xx = Date/Lot Traceability Code

TRUTH TABLE						
Enable Input	Select Inputs			On Switches		
	C	B	A	DG4051A	DG4052A	DG4053A
H	X	X	X	All Switches Open	All Switches Open	All Switches Open
L	L	L	L	X to X0	X to X0, Y to Y0	X to X0, Y to Y0, Z to Z0
L	L	L	H	X to X1	X to X1, Y to Y1	X to X1, Y to Y0, Z to Z0
L	L	H	L	X to X2	X to X2, Y to Y2	X to X0, Y to Y1, Z to Z0
L	L	H	H	X to X3	X to X3, Y to Y3	X to X1, Y to Y1, Z to Z0
L	H	L	L	X to X4	X to X0, Y to Y0	X to X0, Y to Y0, Z to Z1
L	H	L	H	X to X5	X to X1, Y to Y1	X to X1, Y to Y0, Z to Z1
L	H	H	L	X to X6	X to X2, Y to Y2	X to X0, Y to Y1, Z to Z1
L	H	H	H	X to X7	X to X3, Y to Y3	X to X1, Y to Y1, Z to Z1

ORDERING INFORMATION		
Temp Range	Package	Part Number
DG4051A, DG4052A, DG4053A		
- 40 °C to 125 °C <sup>a</sup>	16-Pin TSSOP	DG4051AEQ-T1-E3 DG4052AEQ-T1-E3 DG4053AEQ-T1-E3
	16-Pin miniQFN	DG4051AEN-T1-E4 DG4052AEN-T1-E4 DG4053AEN-T1-E4

Notes:

a. - 40 °C to 85 °C datasheet limits apply.



ABSOLUTE MAXIMUM RATINGS $T_A = 25\text{ }^\circ\text{C}$ , unless otherwise noted			
Parameter	Limit	Unit	
V+ to V-	14	V	
GND to V-	7		
Digital Inputs <sup>a</sup> , $V_S$ , $V_D$	(V-) - 0.3 to (V+) + 0.3 or 30 mA, whichever occurs first		
Continuous Current (Any terminal)	30	mA	
Peak Current, S or D (Pulsed 1 ms, 10 % duty cycle)	100		
Storage Temperature	- 65 to 150	$^\circ\text{C}$	
Power Dissipation <sup>b</sup>	16-Pin TSSOP <sup>c</sup>	450	mW
	16-Pin miniQFN <sup>d, e</sup>	525	
Thermal Resistance <sup>b</sup>	16-Pin TSSOP	178	$^\circ\text{C/W}$
	16-Pin miniQFN <sup>e</sup>	152	

Notes:

- a. Signals on SX, DX, or INX exceeding V+ or V- will be clamped by internal diodes. Limit forward diode current to maximum current ratings.
- b. All leads welded or soldered to PC board.
- c. Derate 5.6 mW/ $^\circ\text{C}$  above 70  $^\circ\text{C}$ .
- d. Derate 6.6 mW/ $^\circ\text{C}$  above 70  $^\circ\text{C}$ .
- e. Manual soldering with iron is not recommended for leadless components. The miniQFN-16 is a leadless package. The end of the lead terminal is exposed copper (not plated) as a result of the singulation process in manufacturing. A solder fillet at the exposed copper lip cannot be guaranteed and is not required to ensure adequate bottom side solder interconnection.

SPECIFICATIONS FOR DUAL SUPPLIES									
Parameter	Symbol	Test Conditions Unless Otherwise Specified $V_{CC} = +5\text{ V}$ , $V_{EE} = -5\text{ V}$ $V_{IN(A, B, C \text{ and } ENABLE)} = 2.0\text{ V}$ , $0.8\text{ V}^a$	Temp. <sup>b</sup>	Typ. <sup>c</sup>	- 40 $^\circ\text{C}$ to 125 $^\circ\text{C}$		- 40 $^\circ\text{C}$ to 85 $^\circ\text{C}$		Unit
					Min. <sup>d</sup>	Max. <sup>d</sup>	Min. <sup>d</sup>	Max. <sup>d</sup>	
<b>Analog Switch</b>									
Analog Signal Range <sup>e</sup>	$V_{ANALOG}$		Full		- 5	5	- 5	5	V
On-Resistance	$R_{ON}$	$I_S = 1\text{ mA}$ , $V_D = -3\text{ V}$ , $0\text{ V}$ , $+3\text{ V}$	Room Full	66		100 125		100 118	$\Omega$
On-Resistance Match	$\Delta R_{ON}$	$I_S = 1\text{ mA}$ , $V_D = \pm 3\text{ V}$	Room Full	3		6 10		6 8	
On-Resistance Flatness	$R_{FLATNESS}$	$I_S = 1\text{ mA}$ , $V_D = -3\text{ V}$ , $0\text{ V}$ , $+3\text{ V}$	Room Full	12		16 20		16 18	
Switch Off Leakage Current	$I_{S(off)}$	$V_+ = 5.5\text{ V}$ , $V_- = -5.5\text{ V}$ , $V_D = \pm 4.5\text{ V}$ , $V_S = \mp 4.5\text{ V}$	Room Full	$\pm 0.02$	- 1 - 50	1 50	- 1 - 5	1 5	nA
	$I_{D(off)}$		Room Full	$\pm 0.02$	- 1 - 50	1 50	- 1 - 5	1 5	
Channel On Leakage Current	$I_{D(on)}$	$V_+ = 5.5\text{ V}$ , $V_- = -5.5\text{ V}$ , $V_S = V_D = \pm 4.5\text{ V}$	Room Full	$\pm 0.02$	- 1 - 50	1 50	- 1 - 5	1 5	
<b>Digital Control</b>									
Input Current, $V_{IN}$ Low	$I_{IL}$	$V_{IN(A, B, C \text{ and } ENABLE)}$ under test = $0.8\text{ V}$	Full	0.01	- 1	1	- 1	1	$\mu\text{A}$
Input Current, $V_{IN}$ High	$I_{IH}$	$V_{IN(A, B, C \text{ and } ENABLE)}$ under test = $2.0\text{ V}$	Full	0.01	- 1	1	- 1	1	
Input Capacitance <sup>e</sup>	$C_{IN}$	$f = 1\text{ MHz}$	Room	3.4					pF
<b>Dynamic Characteristics</b>									
Off Isolation	OIRR	$R_L = 50\ \Omega$ , $C_L = 1\text{ pF}$	Room	f = 10 MHz	67				dB
				f = 100 MHz	46				
Channel-to-Channel Crosstalk	$X_{TALK}$		f = 10 MHz	Room	67				
			f = 100 MHz	Room	47				
Bandwidth, 3 dB	BW	$R_L = 50\ \Omega$	Room	DG4051A	330				MHz
			Room	DG4052A	450				
			Room	DG4053A	730				

SPECIFICATIONS FOR DUAL SUPPLIES									
Parameter	Symbol	Test Conditions Unless Otherwise Specified $V_{CC} = +5\text{ V}$ , $V_{EE} = -5\text{ V}$ $V_{IN(A, B, C \text{ and } ENABLE)} = 2.0\text{ V}$ , $0.8\text{ V}^a$	Temp. <sup>b</sup>	Typ. <sup>c</sup>	- 40 °C to 125 °C		- 40 °C to 85 °C		Unit
					Min. <sup>d</sup>	Max. <sup>d</sup>	Min. <sup>d</sup>	Max. <sup>d</sup>	
<b>Dynamic Characteristics</b>									
Transition Time	$t_{TRANS}$	$R_L = 300\ \Omega$ , $C_L = 35\text{ pF}$ see figure 1, 2, 3	Room Full	36		110 127		110 117	ns
Enable Turn-On Time	$t_{ON}$		Room Full	31		108 119		108 114	
Enable Turn-Off Time	$t_{OFF}$		Room Full	29		92 103		92 98	
Break-Before-Make Time Delay	$t_D$		Room Full		1		1		
Charge Injection <sup>e</sup>	Q	$V_g = 0\text{ V}$ , $R_g = 0\ \Omega$ , $C_L = 1\text{ nF}$	Room	0.25					pC
Off Isolation <sup>e</sup>	OIRR	$R_L = 50\ \Omega$ , $C_L = 1\text{ pF}$ $f = 100\text{ kHz}$	Room	< - 90					dB
Channel-to-Channel Crosstalk <sup>e</sup>	$X_{TALK}$		Room	< - 90					
Source Off Capacitance <sup>e</sup>	$C_{S(off)}$	$f = 1\text{ MHz}$	DG4051A	Room	3				pF
			DG4052A	Room	3				
			DG4053A	Room	3				
Drain Off Capacitance <sup>e</sup>	$C_{D(off)}$	$f = 1\text{ MHz}$	DG4051A	Room	12				
			DG4052A	Room	7				
			DG4053A	Room	4				
Channel On Capacitance <sup>e</sup>	$C_{D(on)}$	$f = 1\text{ MHz}$	DG4051A	Room	17				
			DG4052A	Room	13				
			DG4053A	Room	11				
Total Harmonic Distortion <sup>e</sup>	THD	Signal = $5\text{ V}_{RMS}$ , 20 Hz to 20 kHz, $R_L = 600\ \Omega$	Room	0.28					%
<b>Power Supplies</b>									
Power Supply Current	I+	$V_{CC} = +5\text{ V}$ , $V_{EE} = -5\text{ V}$ $V_{IN(A, B, C \text{ and } ENABLE)} = 0\text{ or }5\text{ V}$	Room Full	0.05		1 10		1 10	$\mu\text{A}$
Negative Supply Current	I-		Room Full	- 0.05	- 1 - 10		- 1 - 10		
Ground Current	$I_{GND}$		Room Full	- 0.05	- 1 - 10		- 1 - 10		



SPECIFICATIONS FOR UNIPOLAR SUPPLIES									
Parameter	Symbol	Test Conditions Unless Otherwise Specified $V_{CC} = +5\text{ V}$ , $V_{EE} = 0\text{ V}$ $V_{IN(A, B, C \text{ and } ENABLE)} = 2.0\text{ V}$ , $0.8\text{ V}^a$	Temp. <sup>b</sup>	Typ. <sup>c</sup>	- 40 °C to 125 °C		- 40 °C to 85 °C		Unit
					Min. <sup>d</sup>	Max. <sup>d</sup>	Min. <sup>d</sup>	Max. <sup>d</sup>	
<b>Analog Switch</b>									
Analog Signal Range <sup>e</sup>	$V_{ANALOG}$		Full		0	5	0	5	V
On-Resistance	$R_{ON}$	$I_S = 1\text{ mA}$ , $V_D = 0\text{ V}$ , $+3.5\text{ V}$	Room Full	107		165 205		165 194	Ω
On-Resistance Match	$\Delta R_{ON}$	$I_S = 1\text{ mA}$ , $V_D = +3.5\text{ V}$	Room Full	3.2		8 13		8 11	
On-Resistance Flatness	$R_{FLATNESS}$	$I_S = 1\text{ mA}$ , $V_D = 0\text{ V}$ , $+3\text{ V}$	Room Full	19		26 30		26 28	
Switch Off Leakage Current	$I_{S(off)}$	$V_+ = +5.5\text{ V}$ , $V_- = 0\text{ V}$ $V_D = 1\text{ V}/4.5\text{ V}$ , $V_S = 4.5\text{ V}/1\text{ V}$	Room Full	$\pm 0.02$	- 1 - 50	1 50	- 1 - 5	1 5	nA
	$I_{D(off)}$		Room Full	$\pm 0.02$	- 1 - 50	1 50	- 1 - 5	1 5	
Channel On Leakage Current	$I_{D(on)}$	$V_+ = +5.5\text{ V}$ , $V_- = 0\text{ V}$ $V_D = V_S = 1\text{ V}/4.5\text{ V}$	Room Full	$\pm 0.02$	- 1 - 50	1 50	- 1 - 5	1 5	
<b>Digital Control</b>									
Input Current, $V_{IN}$ Low	$I_L$	$V_{IN(A, B, C \text{ and } ENABLE)}$ under test = $0.8\text{ V}$	Full	0.01	- 1	1	- 1	1	μA
Input Current, $V_{IN}$ High	$I_H$	$V_{IN(A, B, C \text{ and } ENABLE)}$ under test = $2.0\text{ V}$	Full	0.01	- 1	1	- 1	1	
<b>Dynamic Characteristics</b>									
Transition Time	$t_{TRANS}$	$R_L = 300\ \Omega$ , $C_L = 35\text{ pF}$ See Figure 1, 2, 3	Room Full	38		121 143		121 134	ns
Enable Turn-On Time	$t_{ON}$		Room Full	38		110 126		110 119	
Enable Turn-Off Time	$t_{OFF}$		Room Full	38		103 118		103 111	
Break-Before-Make Time Delay	$t_D$		Room Full		1		1		
Charge Injection <sup>e</sup>	Q	$V_g = 0\text{ V}$ , $R_g = 0\ \Omega$ , $C_L = 1\text{ nF}$	Full	0.5					pC
Off Isolation <sup>e</sup>	OIRR	$R_L = 50\ \Omega$ , $C_L = 1\text{ pF}$ $f = 100\text{ kHz}$	Room	< - 90					dB
Channel-to-Channel Crosstalk <sup>e</sup>	$X_{TALK}$		Room	< - 90					
Source Off Capacitance <sup>e</sup>	$C_{S(off)}$	$f = 1\text{ MHz}$	DG4051A	Room	3				pF
			DG4052A	Room	3				
			DG4053A	Room	4				
Drain Off Capacitance <sup>e</sup>	$C_{D(off)}$	$f = 1\text{ MHz}$	DG4051A	Room	13				
			DG4052A	Room	8				
			DG4053A	Room	5				
Channel On Capacitance <sup>e</sup>	$C_{D(on)}$	$f = 1\text{ MHz}$	DG4051A	Room	18				
			DG4052A	Room	14				
			DG4053A	Room	11				
<b>Power Supplies</b>									
Power Supply Current	$I_+$	$V_{IN(A, B, C \text{ and } ENABLE)} = 0\text{ V}$ or $5\text{ V}$	Room Full	0.05		1 10		1 10	μA
Negative Supply Current	$I_-$		Room Full	- 0.05	- 1 - 10		- 1 - 10		
Ground Current	$I_{GND}$		Room Full	- 0.05	- 1 - 10		- 1 - 10		

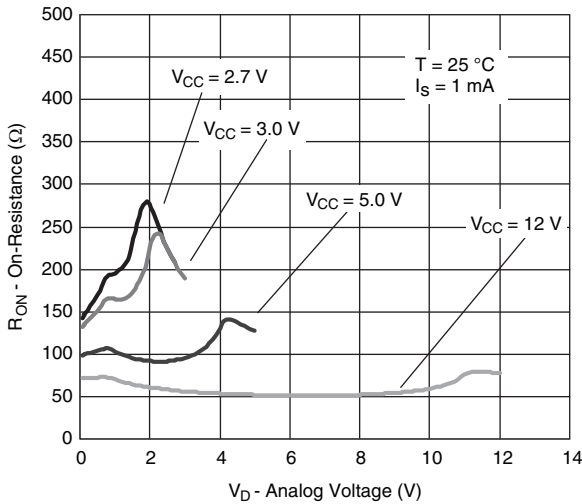
SPECIFICATIONS FOR UNIPOLAR SUPPLIES										
Parameter	Symbol	Test Conditions Unless Otherwise Specified $V_{CC} = +3\text{ V}$ , $V_{EE} = 0\text{ V}$ $V_{IN(A, B, C \text{ and } ENABLE)} = 1.4\text{ V}$ , $0.6\text{ V}^a$		Temp. <sup>b</sup>	Typ. <sup>c</sup>	- 40 °C to 125 °C		- 40 °C to 85 °C		Unit
						Min. <sup>d</sup>	Max. <sup>d</sup>	Min. <sup>d</sup>	Max. <sup>d</sup>	
<b>Analog Switch</b>										
Analog Signal Range <sup>e</sup>	$V_{ANALOG}$		Full		0	3	0	3	V	
On-Resistance	$R_{ON}$	$I_S = 1\text{ mA}$ , $V_D = 1.5\text{ V}$	Room Full	175		265 310		265 298	$\Omega$	
Switch Off Leakage Current	$I_{S(off)}$	$V_+ = +3.3\text{ V}$ , $V_- = 0\text{ V}$ $V_D = 0.3\text{ V}/3.0\text{ V}$ , $V_S = 3.0\text{ V}/0.3\text{ V}$	Room Full	$\pm 0.02$	- 1 - 50	1 50	- 1 - 5	1 5	nA	
	$I_{D(off)}$		Room Full	$\pm 0.02$	- 1 - 50	1 50	- 1 - 5	1 5		
Channel On Leakage Current	$I_{D(on)}$	$V_+ = +3.3\text{ V}$ , $V_- = 0\text{ V}$ $V_D = V_S = 0.3\text{ V}/3.0\text{ V}$	Room Full	$\pm 0.02$	- 1 - 50	1 50	- 1 - 5	1 5		
<b>Digital Control</b>										
Input Current, $V_{IN}$ Low	$I_L$	$V_{IN(A, B, C \text{ and } ENABLE)}$ under test = $0.6\text{ V}$	Full	0.01	- 1	1	- 1	1	$\mu\text{A}$	
Input Current, $V_{IN}$ High	$I_H$	$V_{IN(A, B, C \text{ and } ENABLE)}$ under test = $1.4\text{ V}$	Full	0.01	- 1	1	- 1	1		
<b>Dynamic Characteristics</b>										
Transition Time	$t_{TRANS}$	$R_L = 300\ \Omega$ , $C_L = 35\text{ pF}$ see figure 1, 2, 3	Room Full	81		172 218		172 194	ns	
Enable Turn-On Time	$t_{ON}$		Room Full	71		151 183		151 167		
Enable Turn-Off Time	$t_{OFF}$		Room Full	69		138 161		138 151		
Break-Before-Make Time Delay	$t_D$		Room Full		1		1			
Charge Injection <sup>e</sup>	Q	$V_g = 0\text{ V}$ , $R_g = 0\ \Omega$ , $C_L = 1\text{ nF}$	Room	0.5					pC	
Off Isolation <sup>e</sup>	OIRR	$R_L = 50\ \Omega$ , $C_L = 1\text{ pF}$ $f = 100\text{ kHz}$	Room	< - 90					dB	
Channel-to-Channel Crosstalk <sup>e</sup>	$X_{TALK}$		Room	< - 90						
Source Off Capacitance <sup>e</sup>	$C_{S(off)}$	$f = 1\text{ MHz}$	DG4051A	Room	4				pF	
			DG4052A	Room	3					
			DG4053A	Room	4					
Drain Off Capacitance <sup>e</sup>	$C_{D(off)}$	$f = 1\text{ MHz}$	DG4051A	Room	14					
			DG4052A	Room	8					
			DG4053A	Room	5					
Channel On Capacitance <sup>e</sup>	$C_{D(on)}$	$f = 1\text{ MHz}$	DG4051A	Room	19					
			DG4052A	Room	14					
			DG4053A	Room	11					
<b>Power Supplies</b>										
Power Supply Current	$I_+$	$V_{IN(A, B, C \text{ and } ENABLE)} = 0\text{ V}$ or $3\text{ V}$	Room Full	0.05		1 10		1 10	$\mu\text{A}$	
Negative Supply Current	$I_-$		Room Full	- 0.05	- 1 - 10		- 1 - 10			
Ground Current	$I_{GND}$		Room Full	- 0.05	- 1 - 10		- 1 - 10			

Notes:

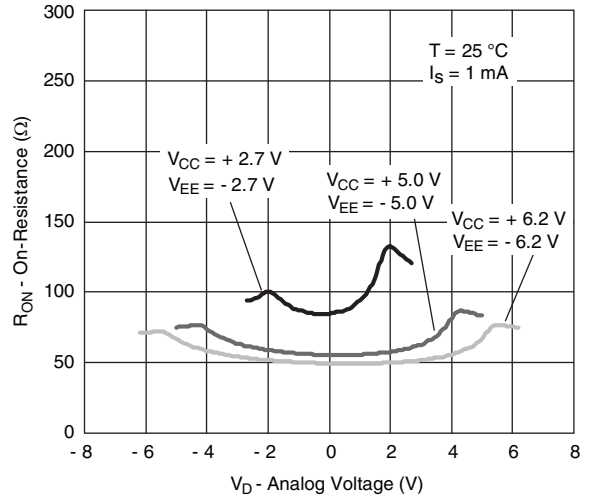
- a.  $V_{IN}$  = input voltage to perform proper function.
- b. Room = 25 °C, Full = as determined by the operating temperature suffix.
- c. Typical values are for DESIGN AID ONLY, not guaranteed nor subject to production testing.
- d. The algebraic convention whereby the most negative value is a minimum and the most positive a maximum, is used in this data sheet.
- e. Guaranteed by design, not subject to production test.

Stresses beyond those listed under "Absolute Maximum Ratings" may cause permanent damage to the device. These are stress ratings only, and functional operation of the device at these or any other conditions beyond those indicated in the operational sections of the specifications is not implied. Exposure to absolute maximum rating conditions for extended periods may affect device reliability.

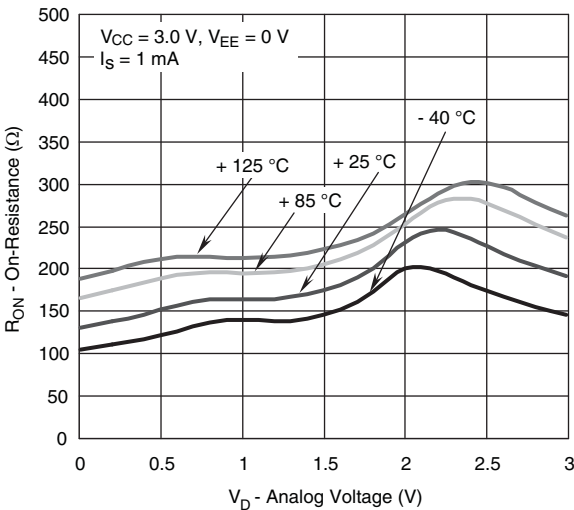
## TYPICAL CHARACTERISTICS 25 °C, unless otherwise noted



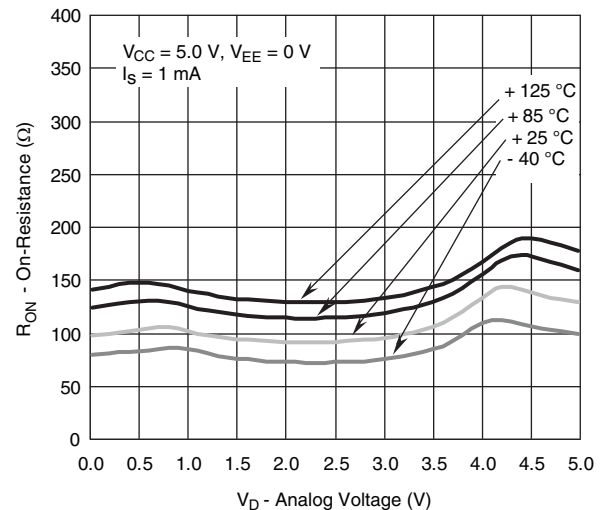
**On-Resistance vs.  $V_D$  and Single Supply Voltage**



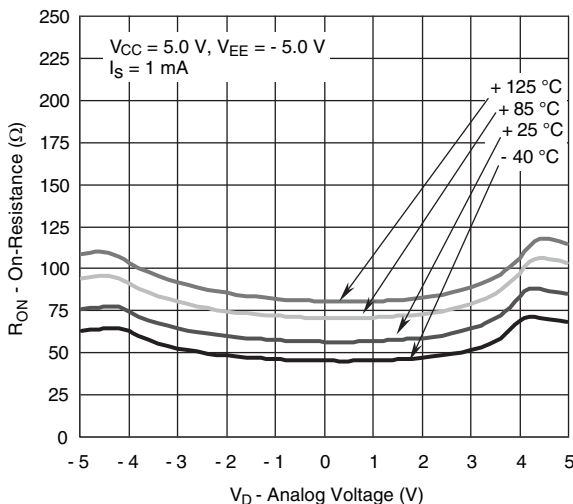
**On-Resistance vs.  $V_D$  and Dual Supply Voltage**



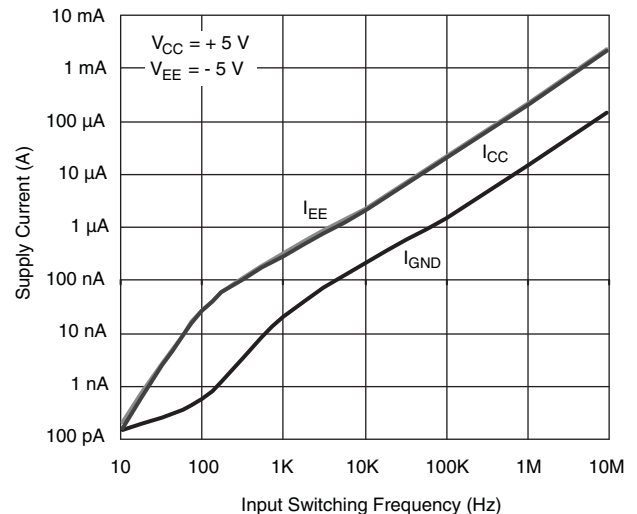
**On-Resistance vs. Analog Voltage and Temperature at  $V_{CC} = +3\text{ V}$ ,  $V_{EE} = 0\text{ V}$**



**On-Resistance vs. Analog Voltage and Temperature at  $V_{CC} = +5\text{ V}$ ,  $V_{EE} = 0\text{ V}$**

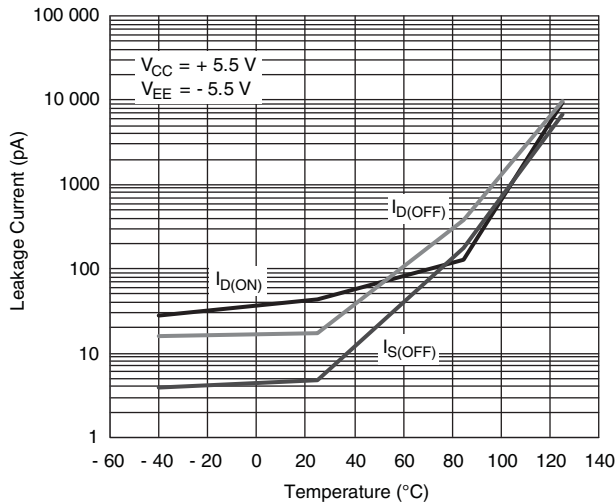


**On-Resistance vs. Analog Voltage and Temperature at  $V_{CC} = +5\text{ V}$ ,  $V_{EE} = -5\text{ V}$**

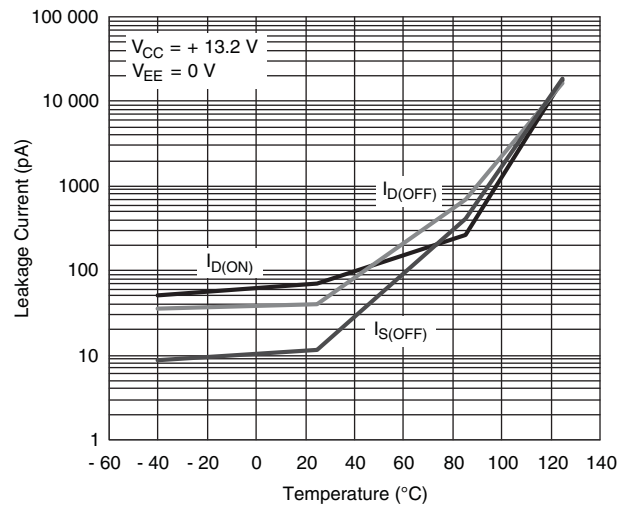


**Supply Current vs. Input Switching Frequency**

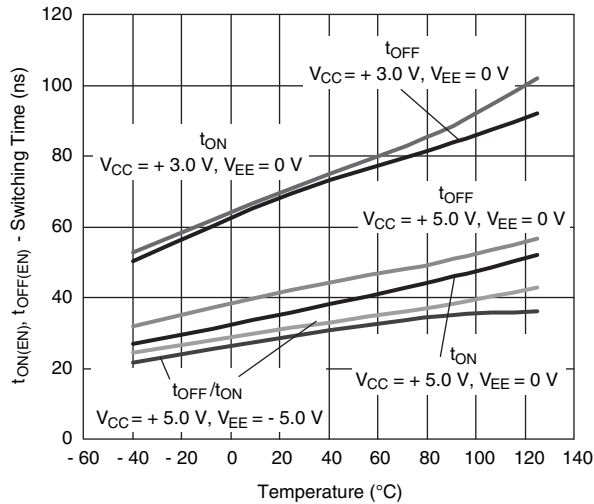
### TYPICAL CHARACTERISTICS 25 °C, unless otherwise noted



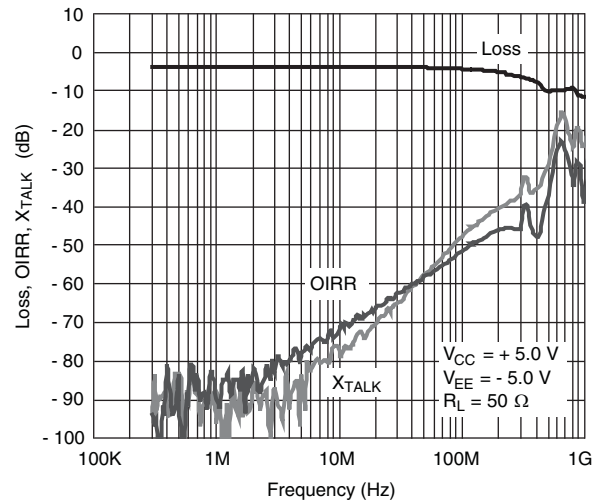
**Leakage Current vs. Temperature**



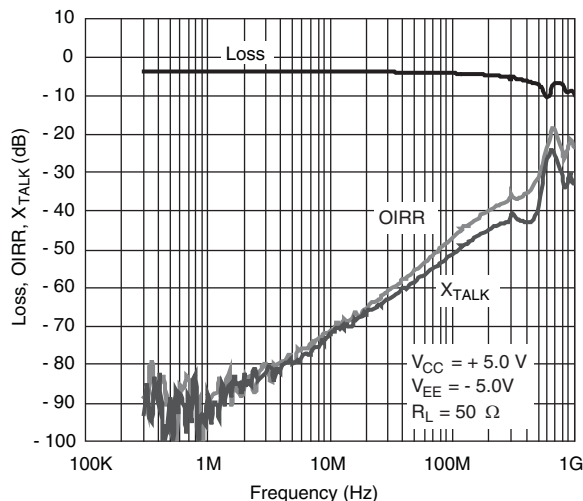
**Leakage Current vs. Temperature**



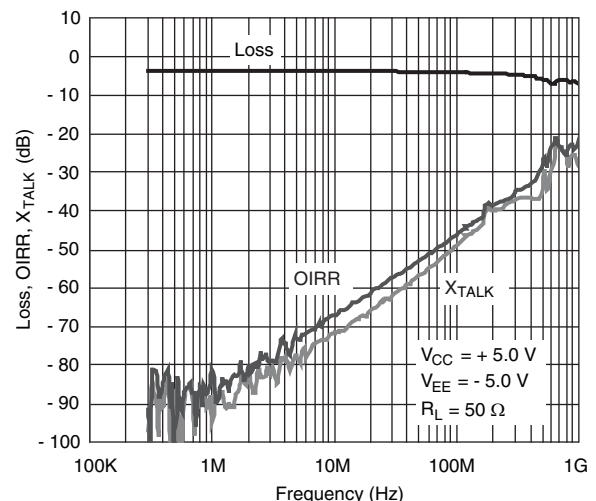
**Switching Time vs. Temperature**



**DG4051A Insertion Loss, Off-Isolation, Crosstalk vs. Frequency at ± 5 V Supply**



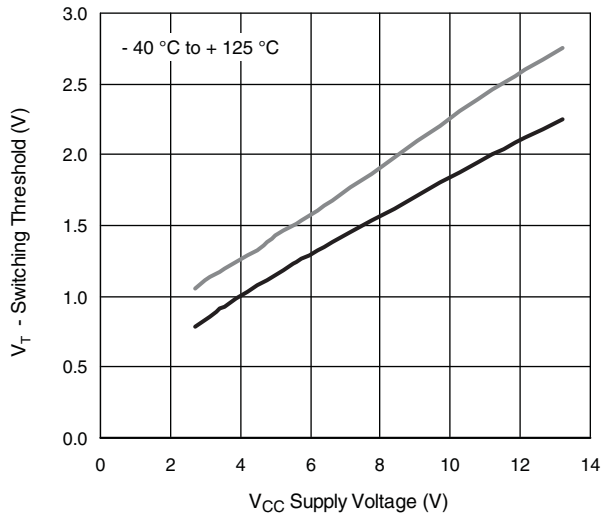
**DG4052A Insertion Loss, Off-Isolation, Crosstalk vs. Frequency at ± 5 V Supply**



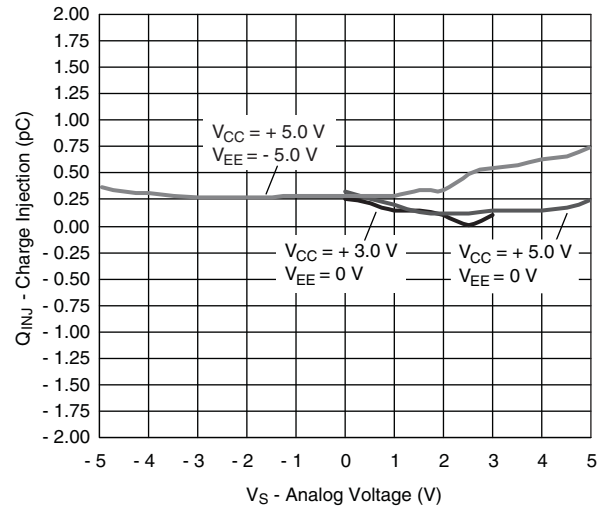
**DG4053A Insertion Loss, Off-Isolation, Crosstalk vs. Frequency at ± 5 V Supply**



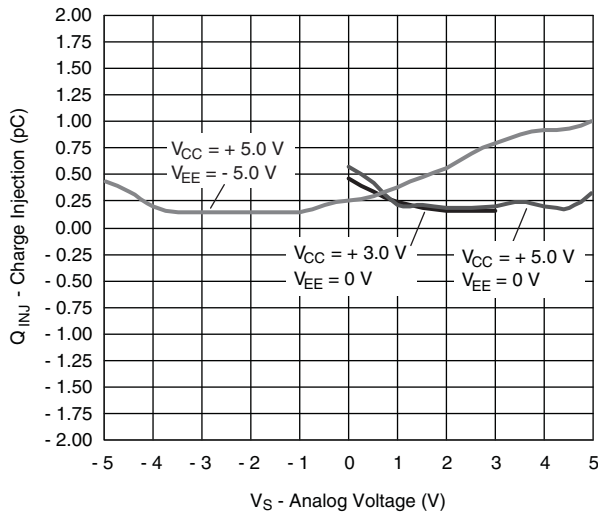
**TYPICAL CHARACTERISTICS** 25 °C, unless otherwise noted



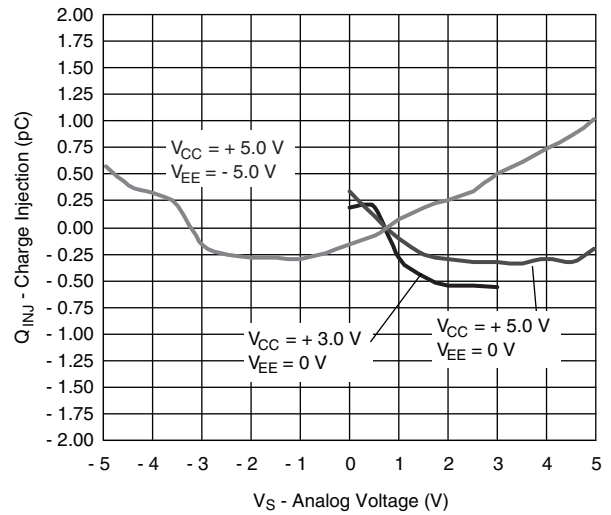
**Switching Threshold vs.  $V_{CC}$  Supply Voltage**



**DG4051A Charge Injection vs. Analog Voltage**



**DG4052A Charge Injection vs. Analog Voltage**



**DG4053A Charge Injection vs. Analog Voltage**

## TEST CIRCUITS

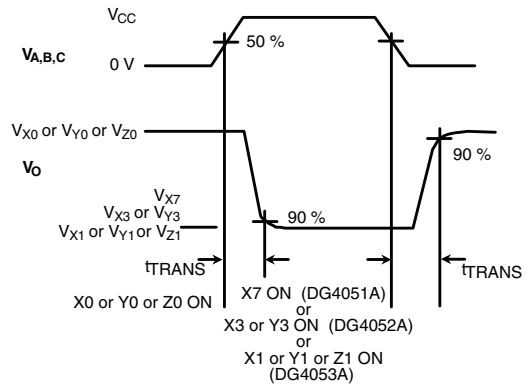
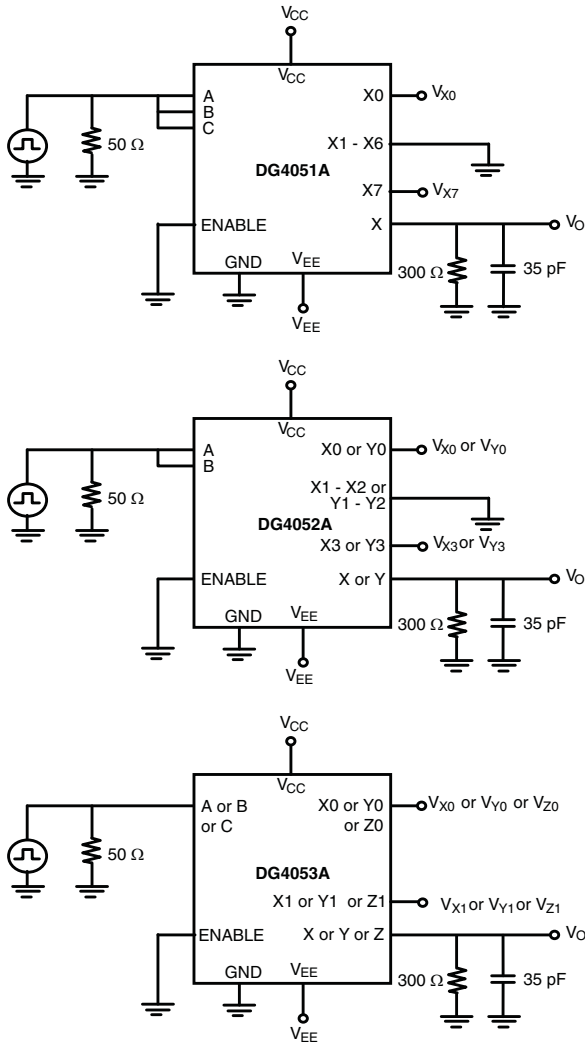


Figure 1. Transition Time

## TEST CIRCUITS

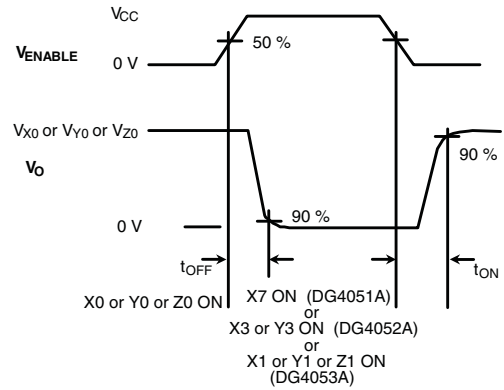
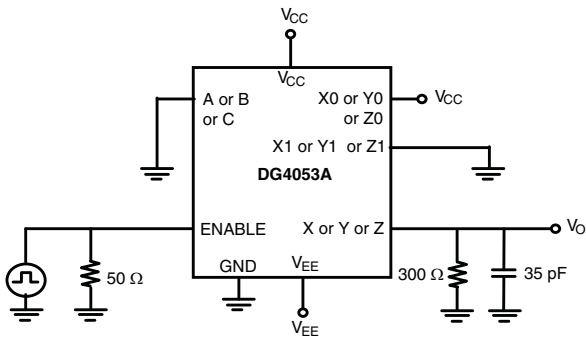
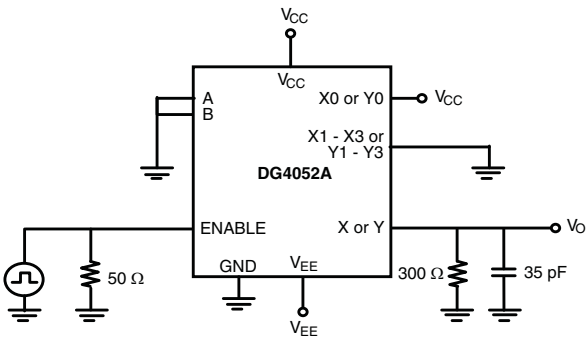
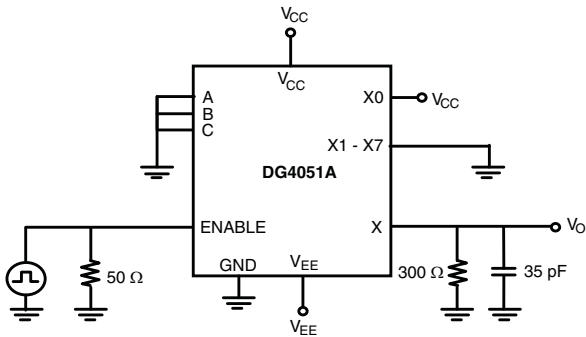


Figure 2. Enable Switching Time

## TEST CIRCUITS

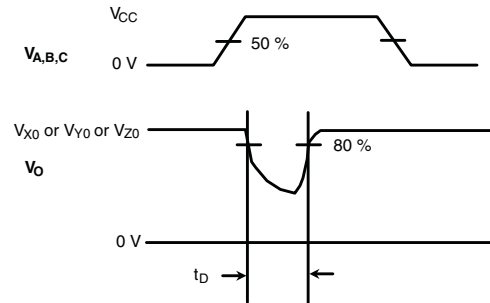
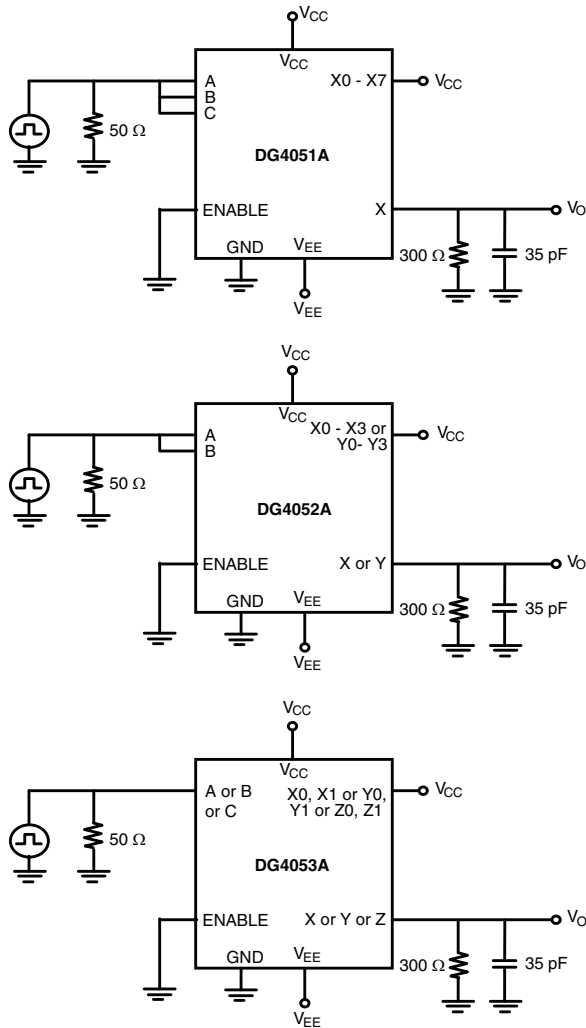


Figure 3. Break-Before-Make

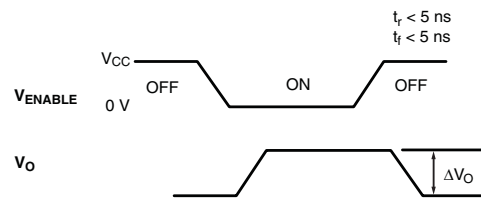
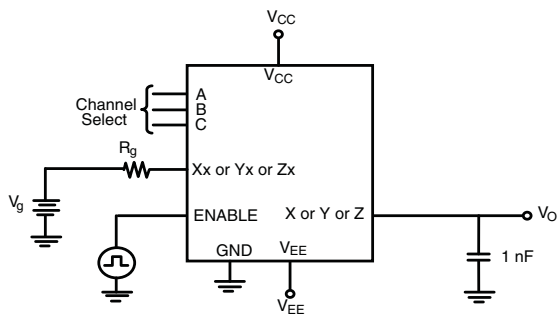
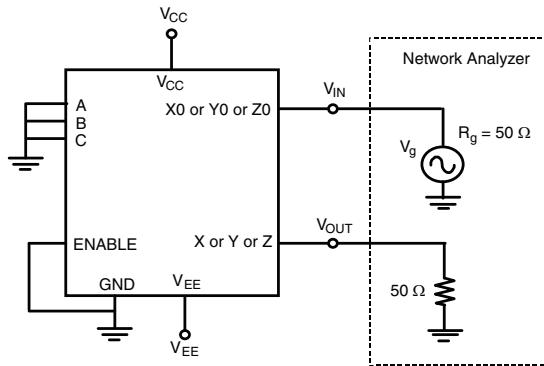


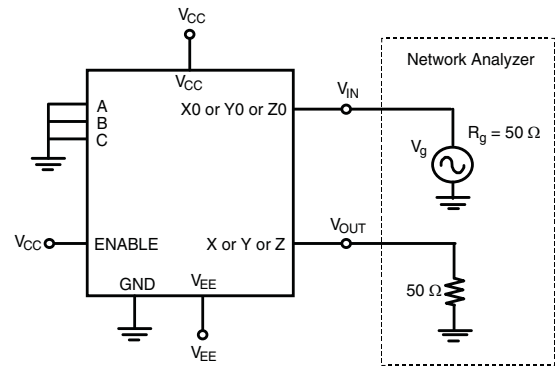
Figure 4. Charge Injection

## TEST CIRCUITS



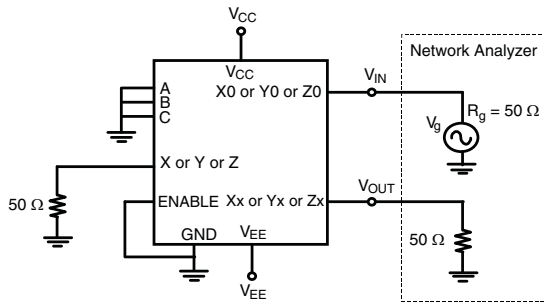
$$\text{Insertion Loss} = 20 \log \frac{V_{\text{OUT}}}{V_{\text{IN}}}$$

Figure 5. Insertion Loss



$$\text{Off Isolation} = 20 \log \frac{V_{\text{OUT}}}{V_{\text{IN}}}$$

Figure 6. Off Isolation



$$\text{Crosstalk} = 20 \log \frac{V_{\text{OUT}}}{V_{\text{IN}}}$$

Figure 7. Crosstalk

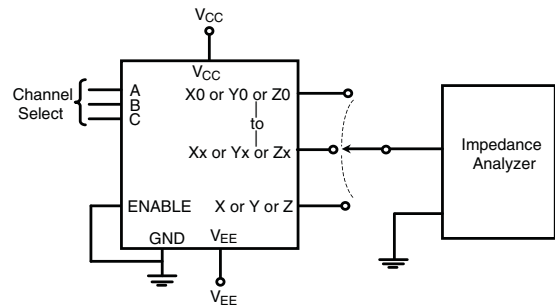
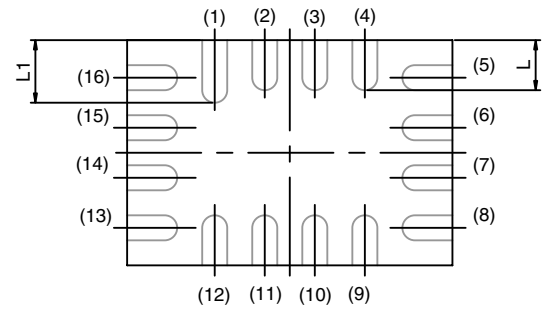
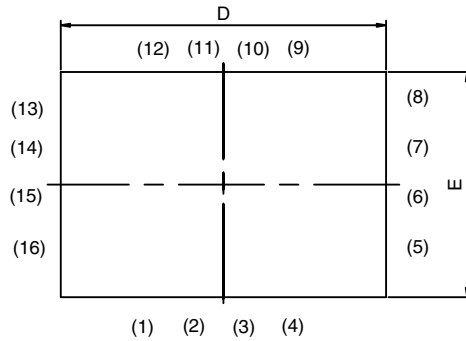


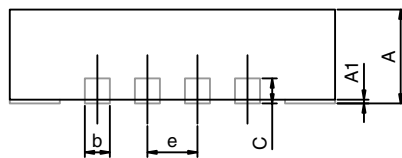
Figure 8. Source, Drain Capacitance

Vishay Siliconix maintains worldwide manufacturing capability. Products may be manufactured at one of several qualified locations. Reliability data for Silicon Technology and Package Reliability represent a composite of all qualified locations. For related documents such as package/tape drawings, part marking, and reliability data, see [www.vishay.com/ppg?69828](http://www.vishay.com/ppg?69828).

## MINI QFN-16L



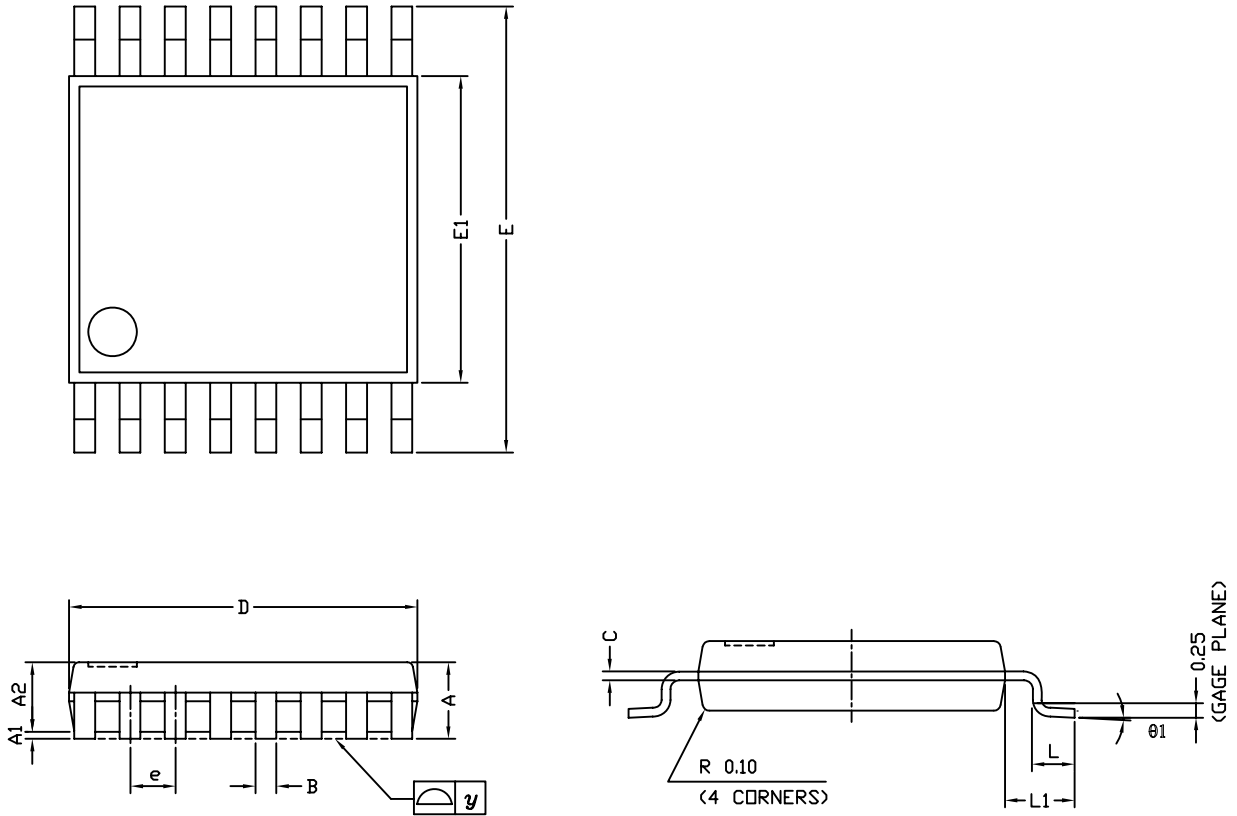
BACK SIDE VIEW



DIM	MILLIMETERS			INCHES		
	MIN.	NAM	MAX.	MIN.	NAM	MAX.
A	0.70	0.75	0.80	0.0275	0.0295	0.0315
A1	0	-	0.05	0	-	0.002
b	0.15	0.20	0.25	0.0059	0.0078	0.0098
C	0.15	0.20	0.25	0.0059	0.0078	0.0098
D	2.60 BSC			0.1023 BSC		
E	1.80 BSC			0.0708 BSC		
e	0.40 BSC			0.0157 BSC		
L	0.35	0.40	0.45	0.0137	0.0157	0.0177
L1	0.45	0.50	0.55	0.0177	0.0196	0.0216

ECN T-06380-Rev. A, 14-Aug-06  
DWG: 5954

## TSSOP: 16-LEAD



Symbols	DIMENSIONS IN MILLIMETERS		
	Min	Nom	Max
A	-	1.10	1.20
A1	0.05	0.10	0.15
A2	-	1.00	1.05
B	0.22	0.28	0.38
C	-	0.127	-
D	4.90	5.00	5.10
E	6.10	6.40	6.70
E1	4.30	4.40	4.50
e	-	0.65	-
L	0.50	0.60	0.70
L1	0.90	1.00	1.10
y	-	-	0.10
θ1	0°	3°	6°

ECN: S-61920-Rev. D, 23-Oct-06  
 DWG: 5624



## Disclaimer

ALL PRODUCT, PRODUCT SPECIFICATIONS AND DATA ARE SUBJECT TO CHANGE WITHOUT NOTICE TO IMPROVE RELIABILITY, FUNCTION OR DESIGN OR OTHERWISE.

Vishay Intertechnology, Inc., its affiliates, agents, and employees, and all persons acting on its or their behalf (collectively, "Vishay"), disclaim any and all liability for any errors, inaccuracies or incompleteness contained in any datasheet or in any other disclosure relating to any product.

Vishay makes no warranty, representation or guarantee regarding the suitability of the products for any particular purpose or the continuing production of any product. To the maximum extent permitted by applicable law, Vishay disclaims (i) any and all liability arising out of the application or use of any product, (ii) any and all liability, including without limitation special, consequential or incidental damages, and (iii) any and all implied warranties, including warranties of fitness for particular purpose, non-infringement and merchantability.

Statements regarding the suitability of products for certain types of applications are based on Vishay's knowledge of typical requirements that are often placed on Vishay products in generic applications. Such statements are not binding statements about the suitability of products for a particular application. It is the customer's responsibility to validate that a particular product with the properties described in the product specification is suitable for use in a particular application. Parameters provided in datasheets and/or specifications may vary in different applications and performance may vary over time. All operating parameters, including typical parameters, must be validated for each customer application by the customer's technical experts. Product specifications do not expand or otherwise modify Vishay's terms and conditions of purchase, including but not limited to the warranty expressed therein.

Except as expressly indicated in writing, Vishay products are not designed for use in medical, life-saving, or life-sustaining applications or for any other application in which the failure of the Vishay product could result in personal injury or death. Customers using or selling Vishay products not expressly indicated for use in such applications do so at their own risk and agree to fully indemnify and hold Vishay and its distributors harmless from and against any and all claims, liabilities, expenses and damages arising or resulting in connection with such use or sale, including attorneys fees, even if such claim alleges that Vishay or its distributor was negligent regarding the design or manufacture of the part. Please contact authorized Vishay personnel to obtain written terms and conditions regarding products designed for such applications.

No license, express or implied, by estoppel or otherwise, to any intellectual property rights is granted by this document or by any conduct of Vishay. Product names and markings noted herein may be trademarks of their respective owners.