

# ATTENUATORS

SMA, up to 18 GHz, 5 Watts

## SPECIFICATIONS:

Models: 18B5W-XX, 18B5W-XXF & 18B5W-XXM

**RoHS**  
Compliant

**AEROFLEX**  
A passion for performance.

### Electrical:

Frequency Range \_\_\_\_\_ DC - 18 GHz  
 Standard Freq. Values \_\_\_\_\_ 6, & 18 GHz  
 Standard dB Values\* \_\_\_\_\_ 0 - 10, 12, 15, 20, 30, & 40 dB  
 Attenuation Accuracy \_\_\_\_\_ In 1 dB Increments  
 0 - 6 dB \_\_\_\_\_ ±0.3 dB  
 7 - 20 dB \_\_\_\_\_ ±0.5 dB  
 21 - 30 dB \_\_\_\_\_ ±0.75 dB  
 40 dB \_\_\_\_\_ ±1.5 dB

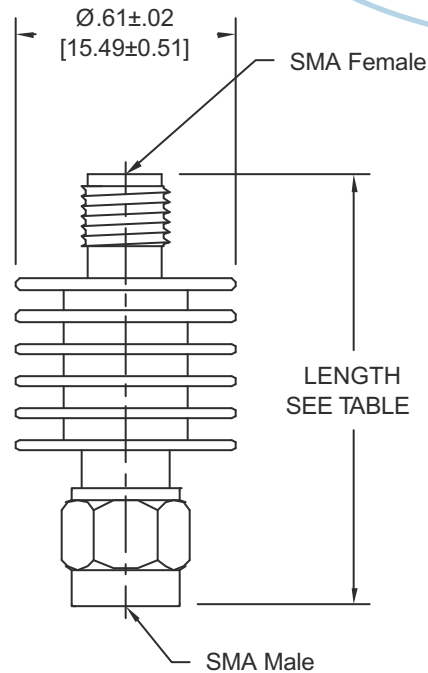
VSWR  
 DC - 4 GHz \_\_\_\_\_ 1.15:1 Max.  
 4 - 8 GHz \_\_\_\_\_ 1.20:1 Max.  
 8 - 12.4 GHz \_\_\_\_\_ 1.25:1 Max.  
 12.4 - 18 GHz \_\_\_\_\_ 1.35:1 Max.

Input Power \_\_\_\_\_ 5 Watts Avg. @ 25°C  
Derated Linearly to 1 Watt @ +125°C

Impedance \_\_\_\_\_ 50 Ohms  
 Operating Temp Range \_\_\_\_\_ -65°C to +125°C

### Mechanical:

SMA Connectors \_\_\_\_\_ Passivated Stainless Steel  
Mates with MIL-STD-348  
 Conductors \_\_\_\_\_ Gold Plated Beryllium Copper  
 Housing \_\_\_\_\_ Anodized Aluminum



Connector Configuration	LENGTH	
	Inches	Millimeters
Male/Female	1.20 ± 0.05	[30.5 ± 1.3]
Male/Male	1.33 ± 0.05	[33.8 ± 1.3]
Female/Female	1.06 ± 0.05	[26.9 ± 1.3]

## HOW TO ORDER:

Model Number: **XXB5W-XXY**

Freq. Range  $\left\{ \begin{array}{l} 6 = \text{DC} - 6 \text{ GHz} \\ 18 = \text{DC} - 18 \text{ GHz} \end{array} \right.$   
 Connector Configuration  $\left\{ \begin{array}{l} = \text{Male/Female} \\ \text{F} = \text{Fem/Fem} \\ \text{M} = \text{Male/Male} \end{array} \right.$   
 dB Value \_\_\_\_\_

## Ordering Examples:

Model Number: **6B5W-20**  
 DC - 6 GHz, 20 dB; SMA - Male/Fem

Model Number: **18B5W-06F**  
 DC - 18 GHz, 6 dB; SMA - Fem/Fem

Model Number: **18B5W-03M**  
 DC - 18 GHz, 3 dB; SMA - Male/Male

Note: Dimensions in Brackets are Expressed in Millimeters and are for Reference Only.

\*Other dB values, units that operated over a more specific frequency band and/or offer very low return loss (VSWR) are also available.

XXB5W-ATT: REV N (M)

**AEROFLEX**  
INMET

Aeroflex / Inmet, Inc. • 300 Dino Drive, Ann Arbor, MI 48103 • U.S.A.  
 888-244-6638 or 734-426-5553 • FAX: 734-426-5557  
 www.aeroflex.com/inmet • inmet-sales@eroflex.com