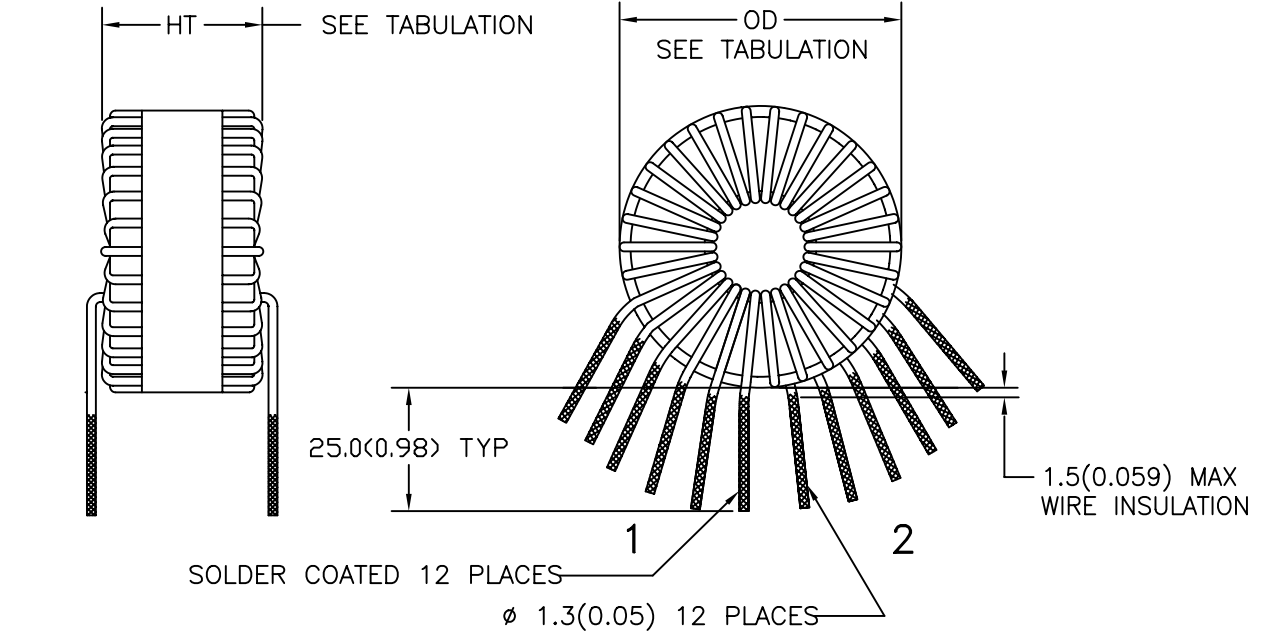
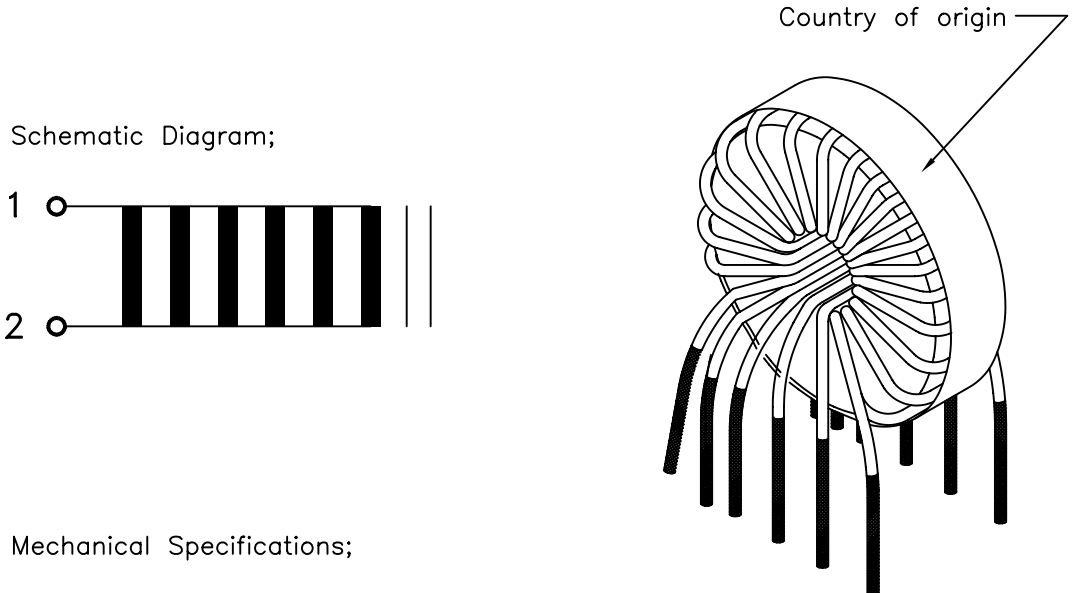


REV. Status	TCA NO.	MODEL NO.	RATED CURRENT (ADC)	INDUCTANCE (uH)±20%	DCR (mohm MAX)	OD MAX	HT MAX
REVISION A 04/29/85 TS	P-A4-10510-01	SKC-601	30	30	2.4	54.0(2.13)	25.0(0.98)
REVISION B REVISED AND REDRAWN ON CAD/CAM ADDED SKC- 601 & 602 05/04/98 TS	P-A4-10510-02	SKC-602	30	50	3.6	55.0(2.17)	26.0(1.02)
	P-A4-10510-03	SKC-603	30	100	4.8	56.0(2.20)	33.0(1.30)

SKC-601~603



PREPARED BY: D. Kelley
 NOTE: Inductance is measured at 1 KHz, 1mA AC current

ENGINEER: T. Shiozawa	DWG CONTROL NO. P-A4-10510 ACAD\MISCX\A4105101.DWG	REV B	POWER INDUCTOR FOR SWITCH MODE POWER SUPPLIES	<h1 style="margin: 0;">SKC-601~603</h1> <p style="margin: 0;">MODEL SPECIFICATION</p>			
QUALITY CONTROL: D. Kelley	<p style="margin: 0;">TAMURA CORPORATION OF AMERICA</p> <p style="margin: 0;">43352 BUSINESS PARK DRIVE, TEMECULA, CA. 92590-6624 (909) 699-1270 FAX 9096769482</p>						
APPROVED: D. Suzuki	<p style="margin: 0; font-size: small;">PROPRIETARY NOTICE: THIS DRAWING PRINT OR DOCUMENT AND SUBJECT MATTER DISCLOSED HEREIN ARE PROPRIETARY ITEMS TO WHICH TAMURA RETAINS THE EXCLUSIVE RIGHT OF DISSEMINATION, REPRODUCTION, MANUFACTURE AND SALE. THIS DRAWING, PRINT OR DOCUMENT IS SUBMITTED IN CONFIDENCE FOR CONSIDERATION BY THE RECIPIENT ALONE UNLESS PERMISSION FOR FURTHER DISCLOSURE IS EXPRESSLY GRANTED IN WRITING.</p>						